



US00D878218S

(12) **United States Design Patent**
Grande

(10) **Patent No.:** **US D878,218 S**

(45) **Date of Patent:** **** Mar. 17, 2020**

(54) **WATCH**

(71) Applicant: **Richemont International SA,**
Villars-sur-Glane (CH)

(72) Inventor: **Alessandro Grande,** Chatelaine-Geneva
(CH)

(73) Assignee: **Richemont International SA,**
Villars-sur-Glane (CH)

(**) Term: **15 Years**

(21) Appl. No.: **29/633,008**

(22) Filed: **Jan. 11, 2018**

(30) **Foreign Application Priority Data**

Jul. 14, 2017 (WO) 4102301

(51) **LOC (12) Cl.** **10-02**

(52) **U.S. Cl.**
USPC **D10/39**

(58) **Field of Classification Search**
USPC ... D10/1, 30, 31, 32, 33, 34, 35, 36, 37, 38,
D10/39, 122, 123, 124, 126, 128; D11/3,
D11/4, 6, 12, 13
CPC G04B 37/00; G04B 37/0008; G04B 37/05;
G04B 37/081; G04B 37/087; G04B
19/106; G04B 19/10; G04B 19/12; G04B
19/14

See application file for complete search history.

(56) **References Cited**

U.S. PATENT DOCUMENTS

D232,163 S * 7/1974 Langer D10/37
D317,413 S * 6/1991 Veronesi D10/32
D460,002 S * 7/2002 Wunderman D10/32
D508,418 S * 8/2005 Kraft D10/38
D628,911 S * 12/2010 Giannini D10/32

D679,201 S * 4/2013 Jacquerye D10/39
D688,580 S * 8/2013 Delhotal D10/124
D724,959 S * 3/2015 McCormick D10/126
D732,985 S * 6/2015 Cerrato D10/39
D768,526 S * 10/2016 Cerrato D10/126
D769,762 S * 10/2016 Behling D10/126
D793,882 S * 8/2017 Kuroda D10/30
D802,446 S * 11/2017 El Alej D10/30

OTHER PUBLICATIONS

Le Point, The historical diving watches from Jaeger-LeCoultre, posted Mar. 12, 2012, [online], [visited Oct. 21, 2019]. Internet, URL: https://www.lepoint.fr/montres/jaeger-lecoultre/les-montres-de-plongee-historiques-de-jaeger-lecoultre-3-12-2012-1991873_2770.php (Year: 2012).*

Amazon, Casio Collection Men's Watch MTD-1053D, posted Jan. 1, 2007, [online], [visited Oct. 21, 2019]. Internet, URL: https://www.amazon.co.uk/Casio-Collection-Mens-Watch-MTD-1053D-1AVES/dp/B002U0KHP6/ref=olp_product_details?encoding=UTF8&me= (Year: 2007).*

(Continued)

Primary Examiner — Sheryl Lane

Assistant Examiner — Samantha N Wood

(74) *Attorney, Agent, or Firm* — Taft Stettinius & Hollister LLP

(57) **CLAIM**

The ornamental design for a watch, as shown and described.

DESCRIPTION

FIG. 1 is a top plan view of a watch showing my new design; FIG. 2 is a bottom plan view thereof; FIG. 3 is a rear elevational view thereof; FIG. 4 is a front elevational view thereof; FIG. 5 is a left side elevational view thereof; FIG. 6 is a right side elevational view thereof; and, FIG. 7 is a top, right side perspective view thereof.

1 Claim, 2 Drawing Sheets



(56)

References Cited

OTHER PUBLICATIONS

Amazon, Seiko Men's Analogue Watch, posted Aug. 14, 2015, [online], [visited Oct. 21, 2019]. Internet, URL: https://www.amazon.co.uk/Seiko-Analogue-Manual-Watch-Textile/dp/B014DWJM7M/ref=sr_1_116?keywords=diver+watch&qid=1571694515&sr=8-116 (Year: 2015).*

Jaeger-LeCoultre Catalogue; 1966-1967; 3 pages.

La memoire de votre memoire; Jaeger-LeCoultre Catalogue, 1966; 3 pages.

* cited by examiner

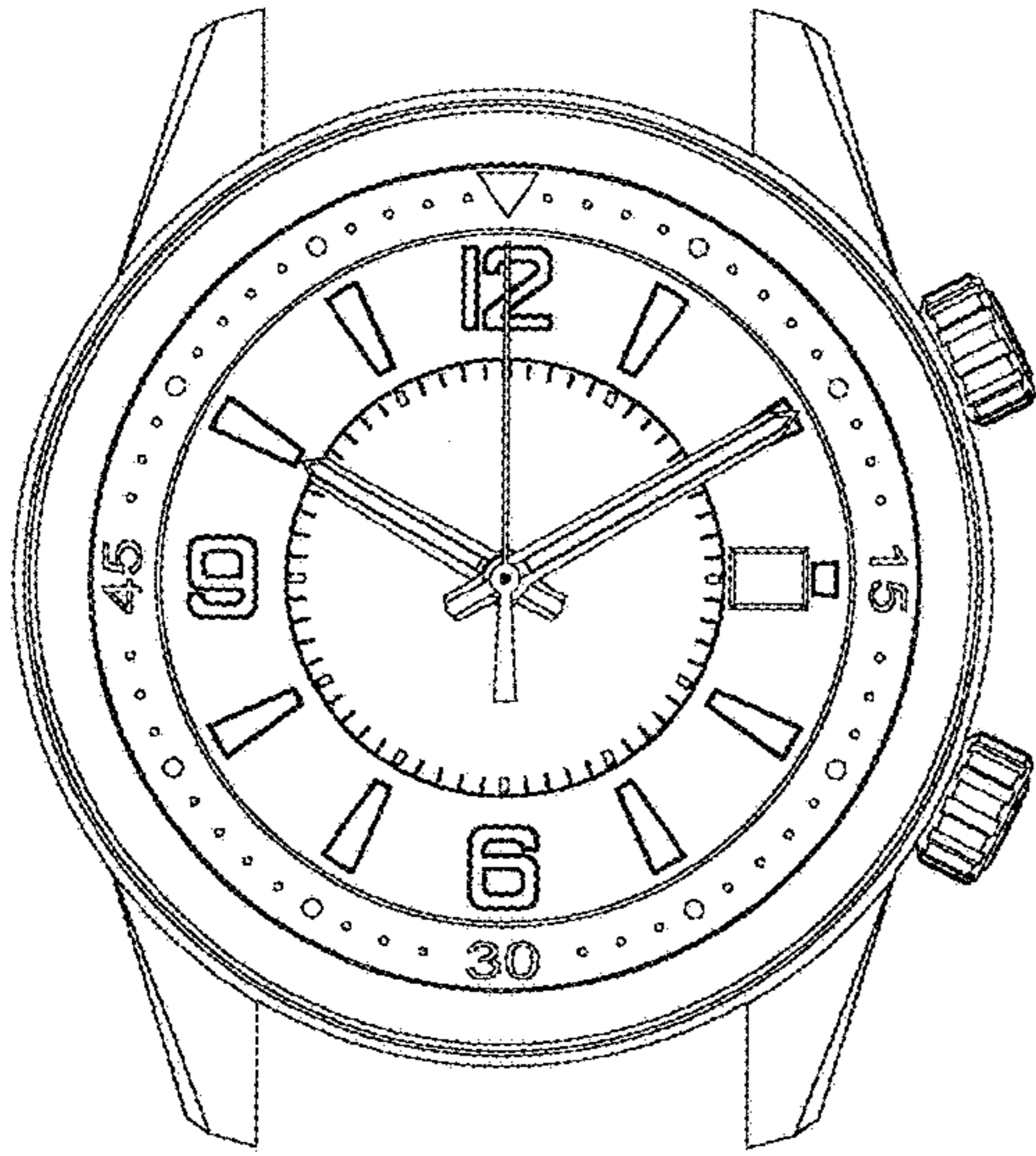


Fig. 1

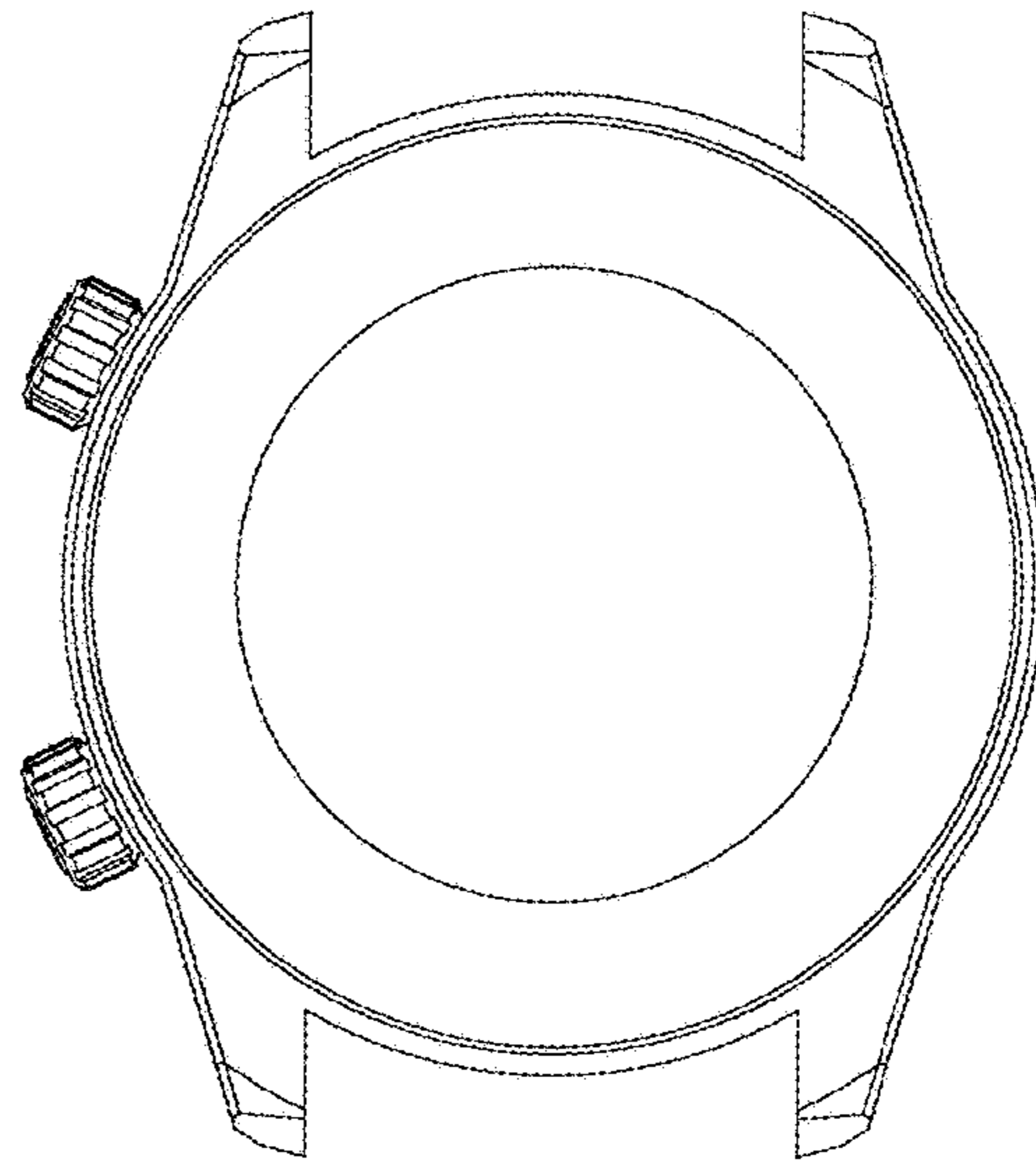


Fig. 2

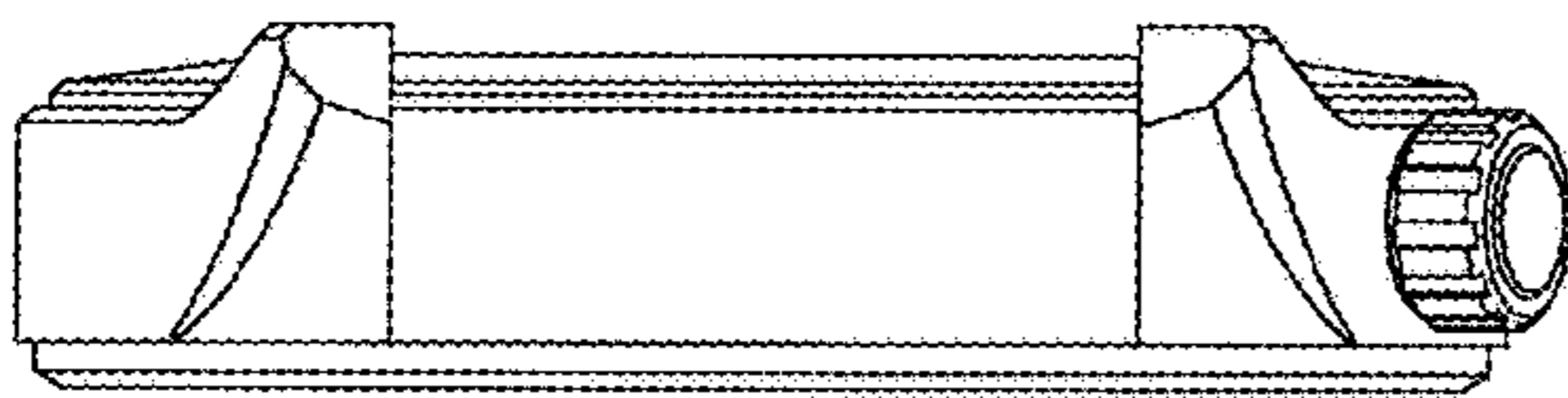


Fig. 3

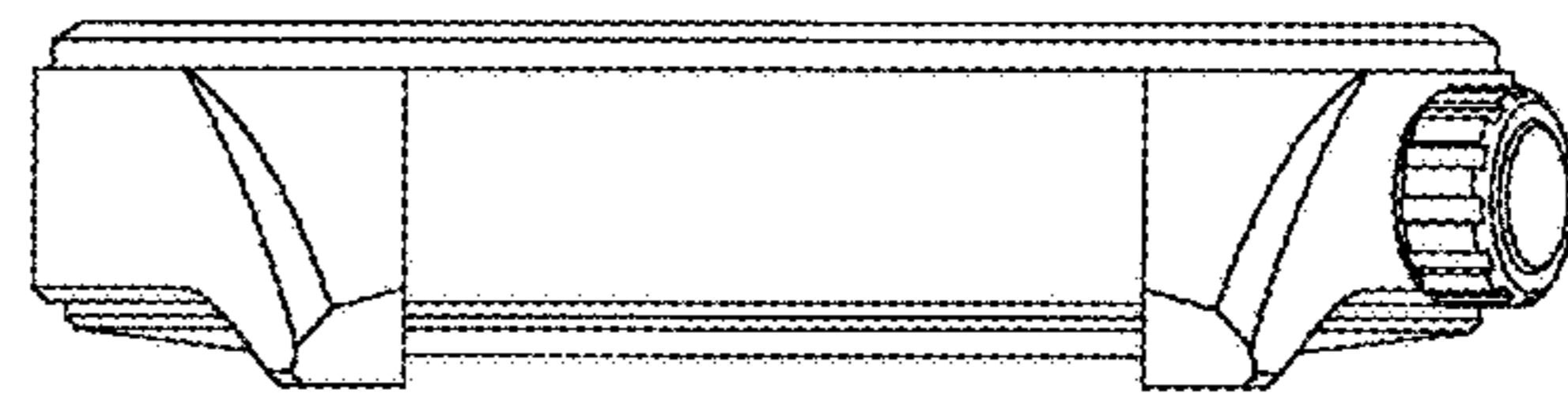


Fig. 4

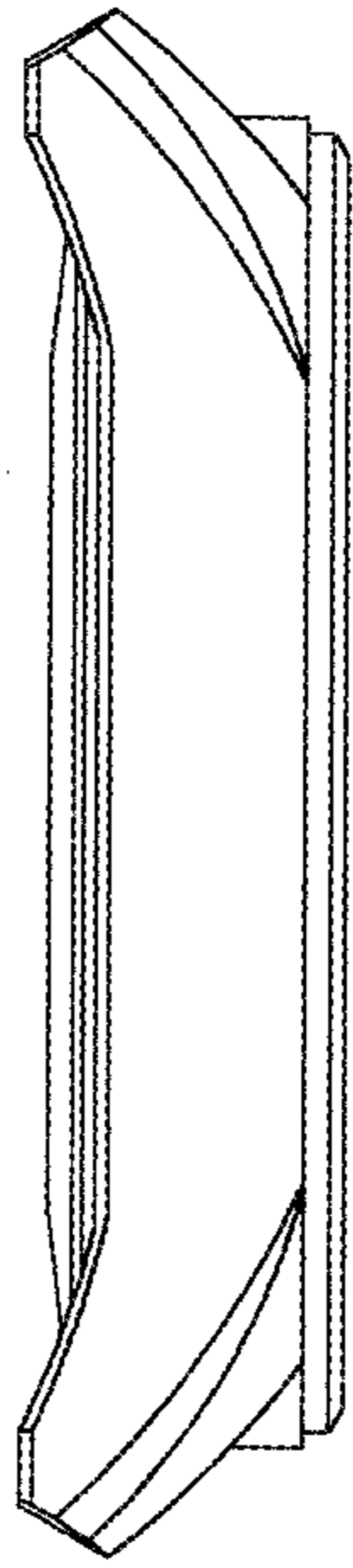


Fig. 5

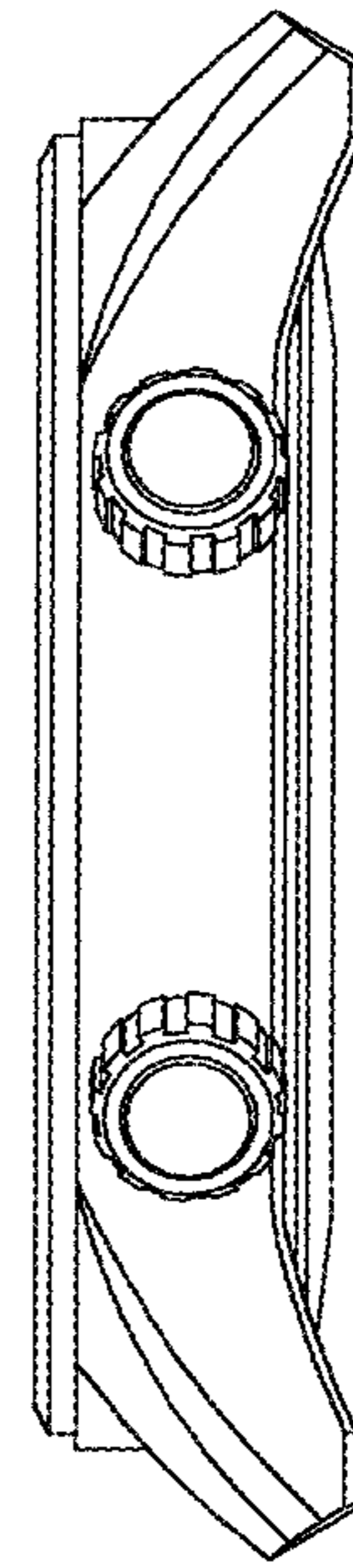


Fig. 6



Fig. 7