



US00D878217S

(12) **United States Design Patent**
Dovas

(10) **Patent No.:** **US D878,217 S**
(45) **Date of Patent:** **** Mar. 17, 2020**

- (54) **WATCH CASE**
- (71) Applicant: **Ralph Lauren Watch and Jewelry Company Sarl**, Plan-les-Ouates (CH)
- (72) Inventor: **Christopher P. Dovas**, East Windsor, NJ (US)
- (73) Assignee: **Ralph Lauren Watch and Jewelry Company SARL**, Plan-les-Ouates (CH)

- D246,575 S * 12/1977 Onodera D10/30
- D267,548 S * 1/1983 Wada D10/38
- D278,130 S * 3/1985 Houlihan D10/30
- D342,208 S * 12/1993 Tsukada D10/128
- D375,053 S * 10/1996 Voegeli D10/30
- D420,293 S * 2/2000 Parmigiani D10/30
- D475,934 S * 6/2003 Bulgari D10/30
- D494,477 S * 8/2004 Lalo D10/30
- D496,589 S * 9/2004 Perrenoud D10/30

(Continued)

- (**) Term: **15 Years**
- (21) Appl. No.: **29/635,935**
- (22) Filed: **Feb. 5, 2018**

(30) **Foreign Application Priority Data**

Aug. 7, 2017 (WO) DM/097270

- (51) **LOC (12) Cl.** **10-02**
- (52) **U.S. Cl.**
USPC **D10/38**

(58) **Field of Classification Search**

USPC D10/1-2, 6, 14-15, 30-41, 98, 102,
D10/121-126, 128-129; D11/3-5, 12,
D11/18-19, 23, 93; D14/344

CPC .. A44C 5/02; G04B 17/28-285; G04B 19/00;
G04B 19/048; G04B 19/06; G04B
19/065; G04B 19/08; G04B 19/085;
G04B 19/087; G04B 19/10; G04B
19/103; G04B 19/106; G04B 19/12;
G04B 19/16; G04B 19/22; G04B 19/223;
G04B 19/24; G04B 19/243; G04B 29/00;
G04B 37/00; G04B 37/008; G04B
37/0058; G04B 37/12; G04B 37/14;
G04B 37/1486; G04B 45/0069; G04B
45/0076; G04B 47/00; G04B 47/048

See application file for complete search history.

(56) **References Cited**

U.S. PATENT DOCUMENTS

- D164,830 S * 10/1951 Warren D10/39
- D164,832 S * 10/1951 Warren D10/39

OTHER PUBLICATIONS

Ralph Lauren 867 square watch | posted at watchprosite.com Oct. 2015 [online]. [retrieved Mar. 6, 2019] from Internet: <<https://www.watchprosite.com/horological-meandering/quick-look-at-the-ralph-lauren-867-square-watch/17.1017543.7194403/>> (Year: 2015).*

(Continued)

Primary Examiner — Sandra S Snapp
Assistant Examiner — Katherine Glennon
 (74) *Attorney, Agent, or Firm* — Taft Stettinius & Hollister LLP

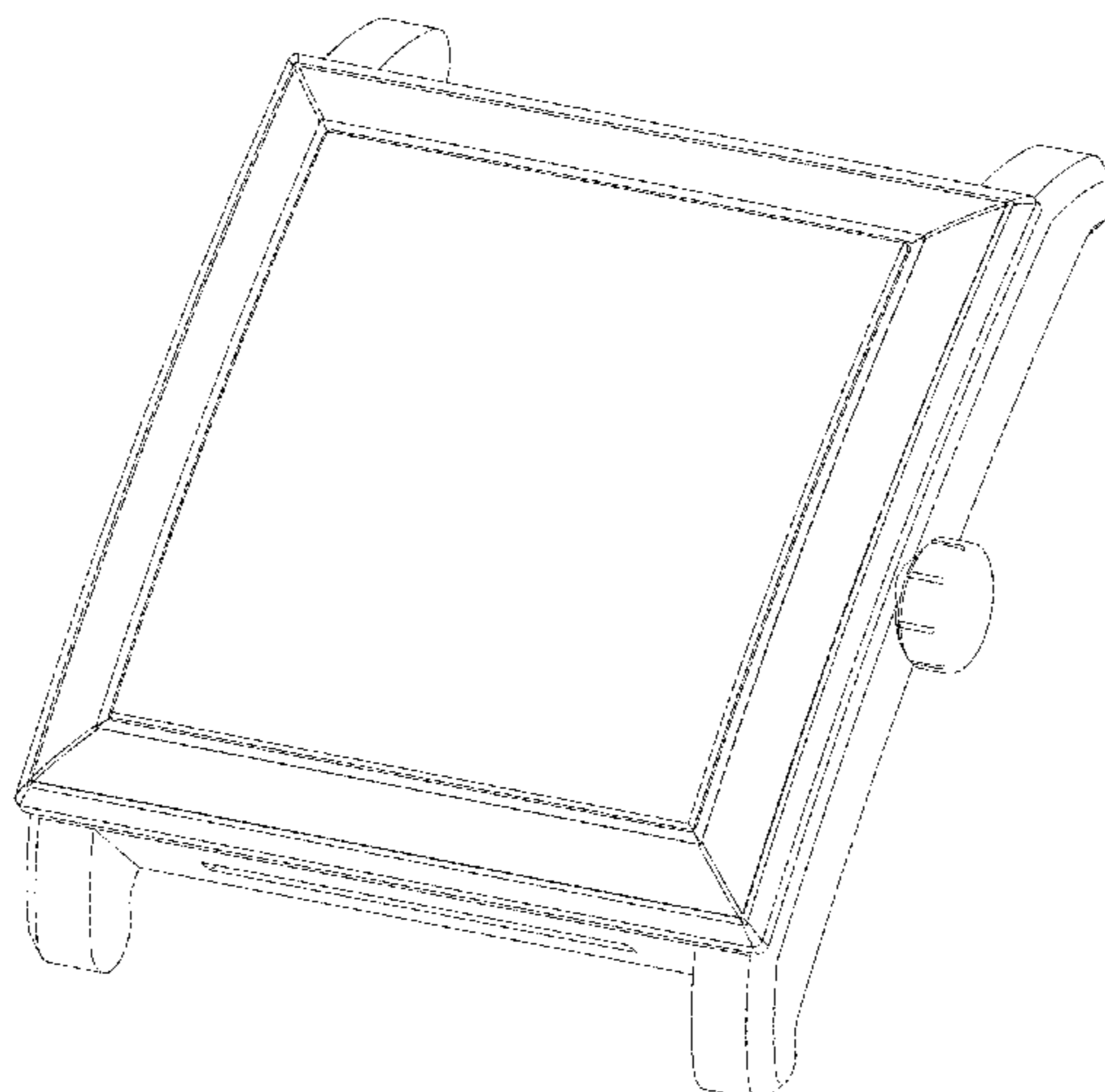
(57) **CLAIM**

The ornamental design for a watch case, as shown and described.

DESCRIPTION

FIG. 1 is a top plan view of a watch case showing my new design;
 FIG. 2 is a bottom plan view thereof;
 FIG. 3 is a front elevational view thereof;
 FIG. 4 is a rear elevational view thereof;
 FIG. 5 is a left side elevational view thereof;
 FIG. 6 is a right side elevational view thereof;
 FIG. 7 is a top, right side perspective view thereof; and,
 FIG. 8 is a bottom, right side perspective view thereof.

1 Claim, 8 Drawing Sheets



(56)

References Cited

U.S. PATENT DOCUMENTS

D507,497 S *	7/2005	Liao	D10/30
D528,442 S *	9/2006	Bedat	D10/39
D542,159 S *	5/2007	Junod	D10/38
D564,370 S *	3/2008	Bove	D10/38
D652,327 S *	1/2012	Bodino	D10/38
D760,095 S *	6/2016	Jeannet	D10/30
2015/0101366 A1 *	4/2015	Liao	A44C 25/00 63/40

OTHER PUBLICATIONS

Ralph Lauren the 867 Square Watch | posted at wristreview.com
Dec. 2017 [online]. © 2011-2019 wristreview.com [retrieved Mar.
6, 2019] from Internet: <<https://wristreview.com/ralph-lauren-releases-four-fresh-flavors-867-square-watch/>> (Year: 2017).*

* cited by examiner

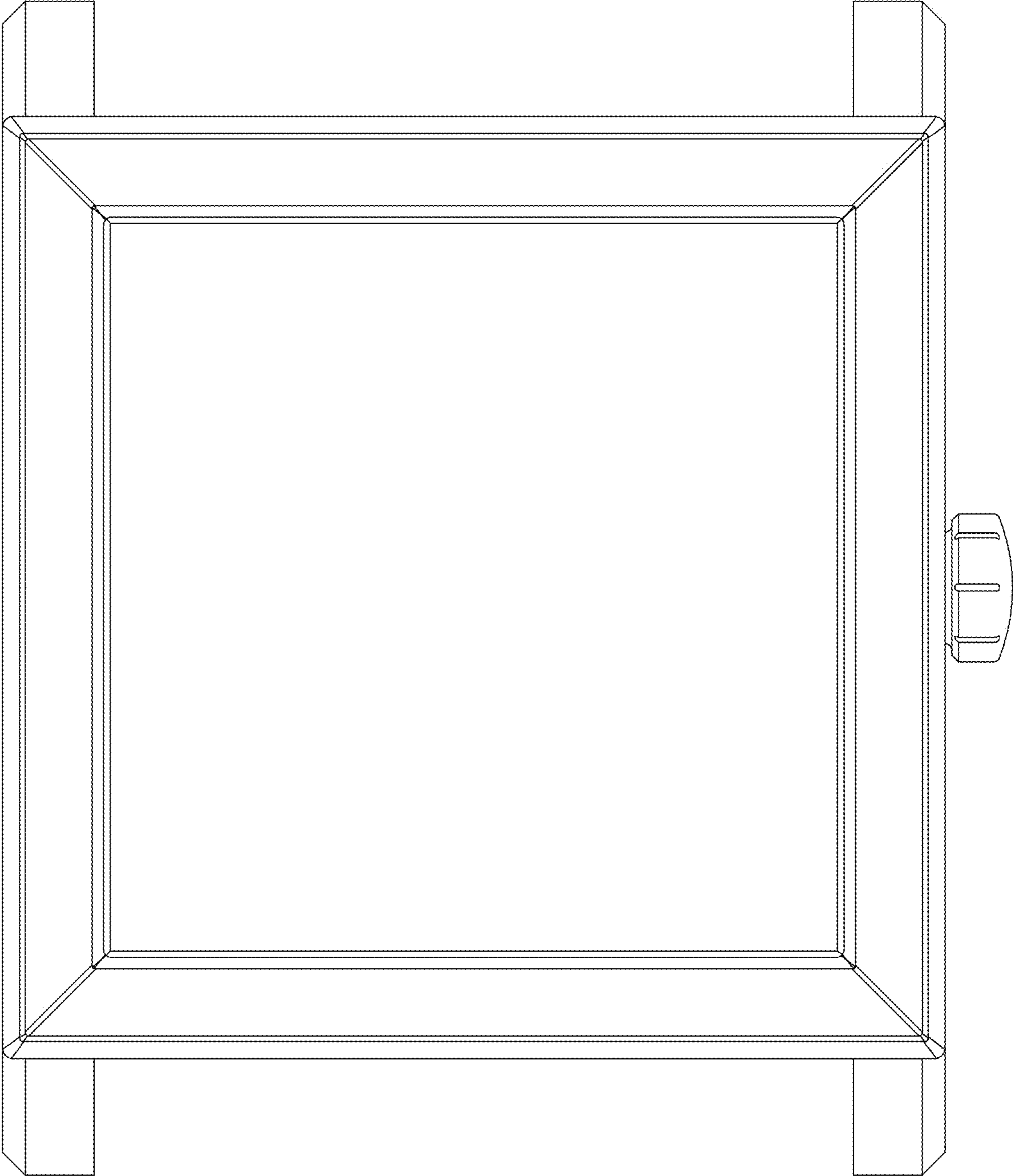


Fig. 1

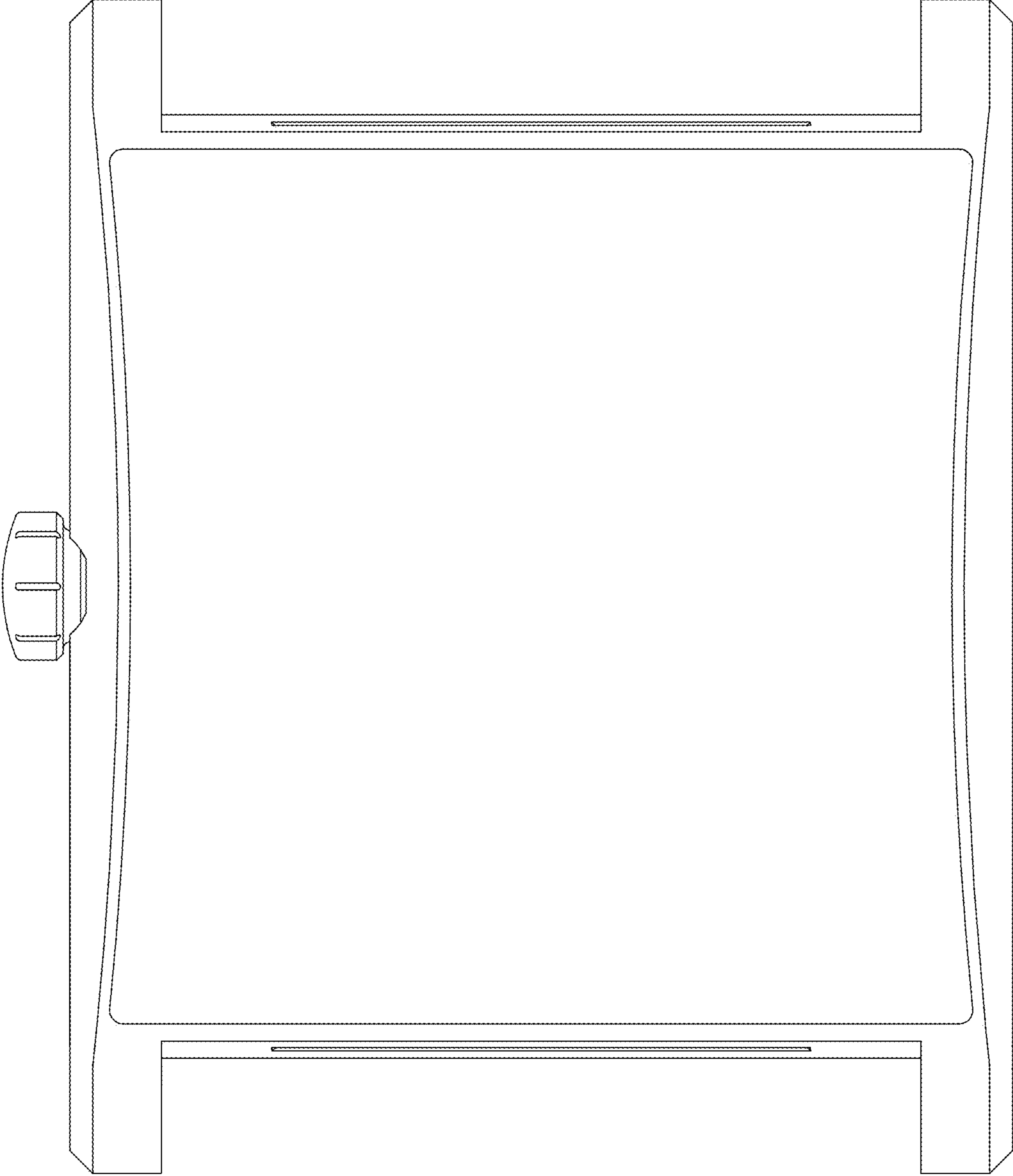


Fig. 2

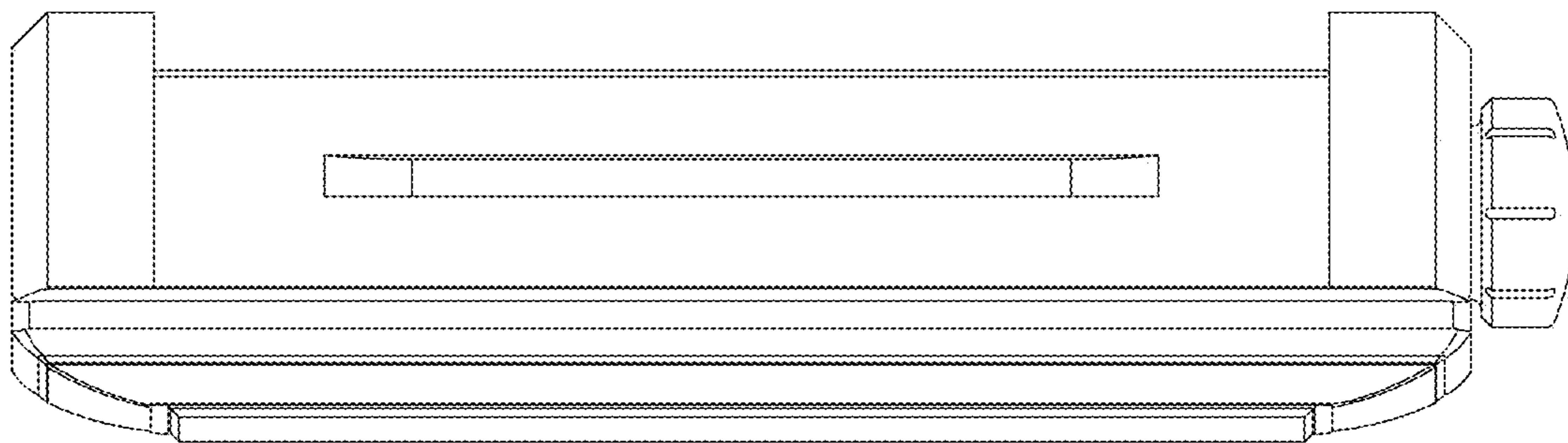


Fig. 3

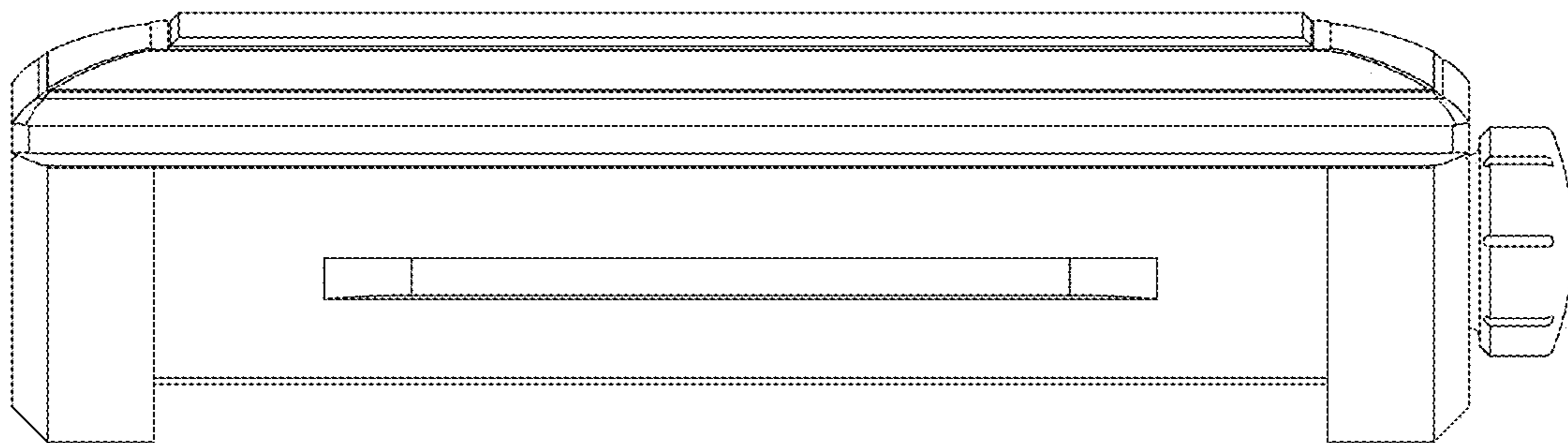


Fig. 4

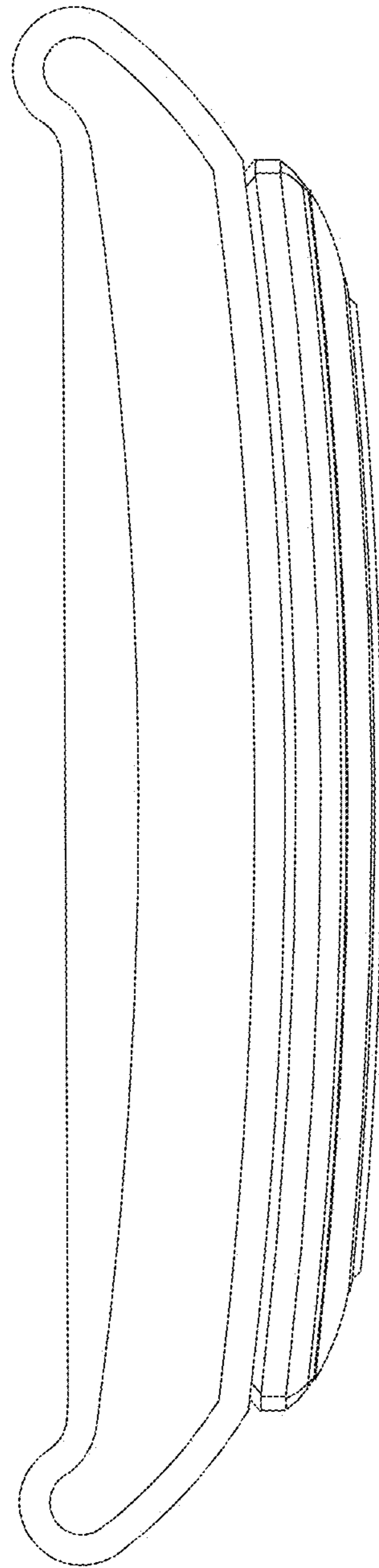


Fig. 5

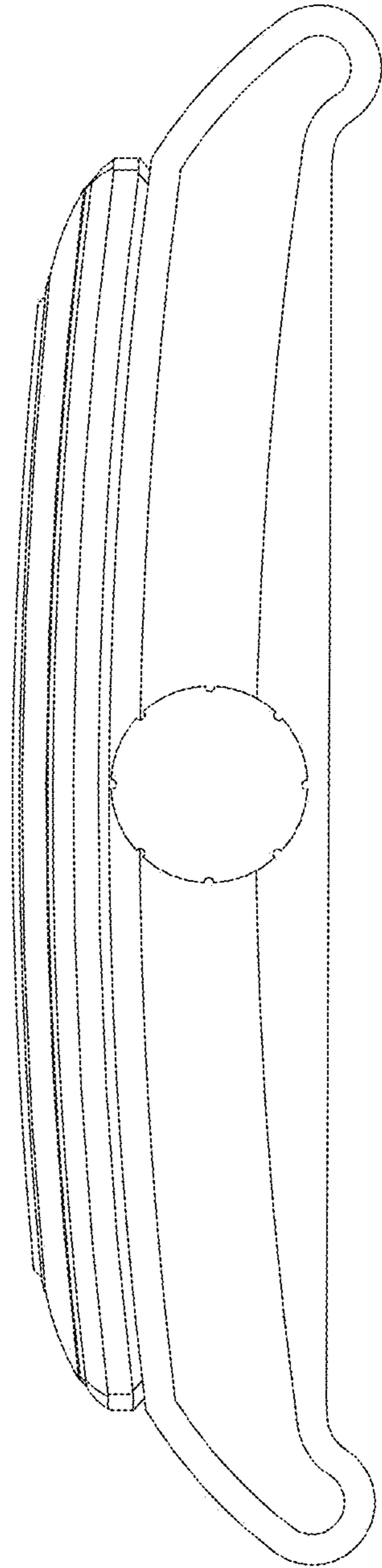


Fig. 6

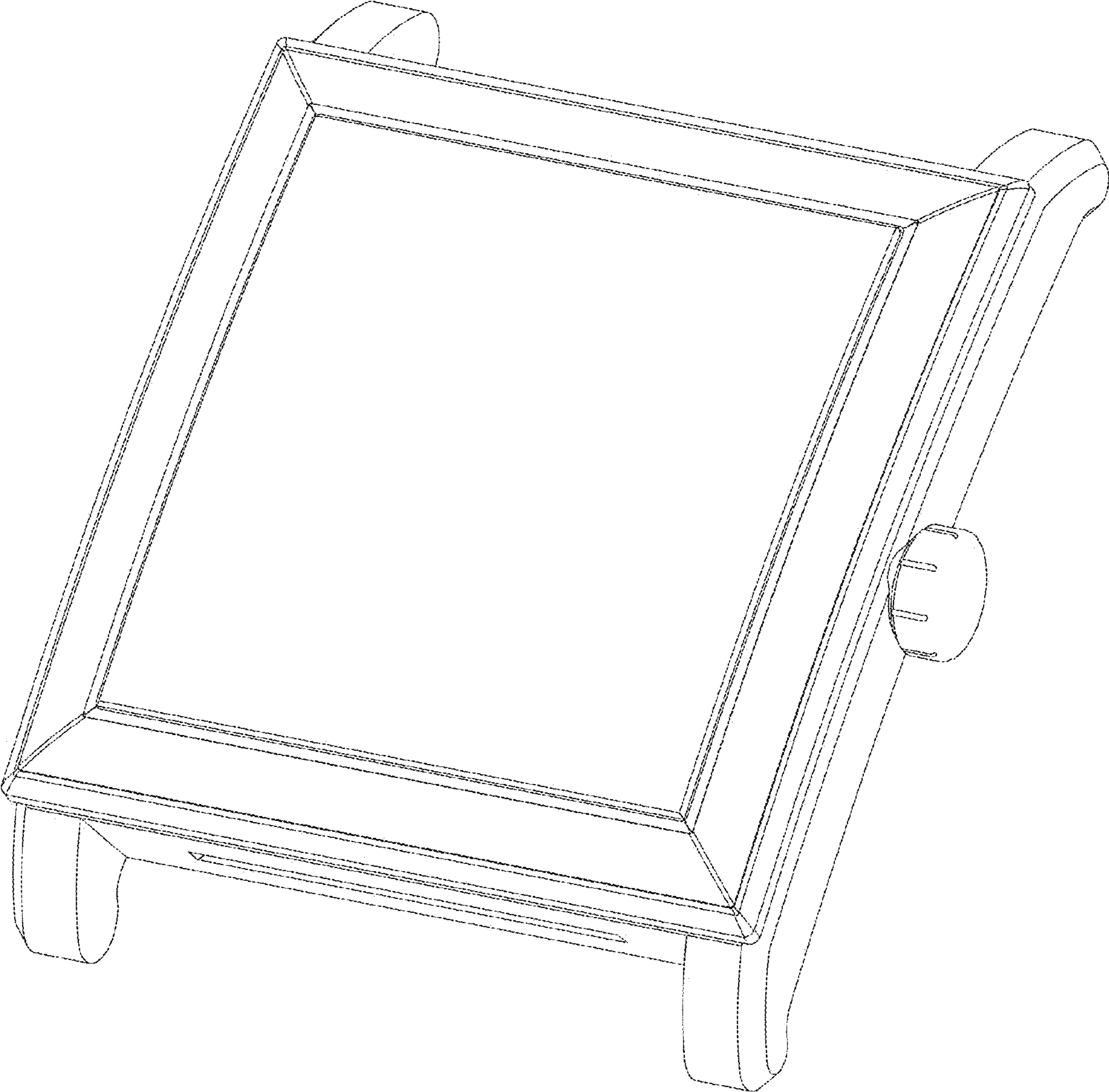


Fig. 7

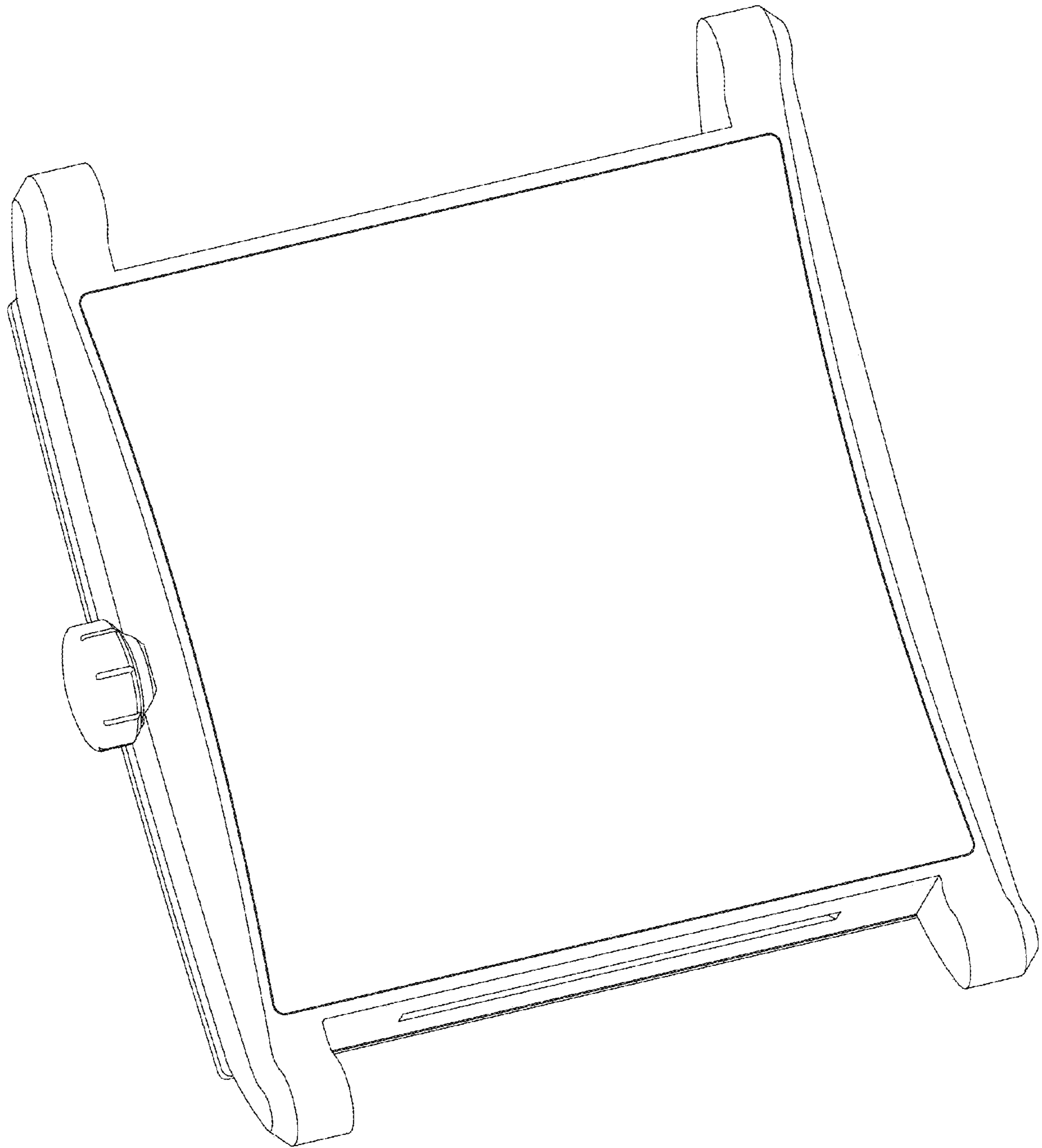


Fig. 8