



US00D878215S

(12) **United States Design Patent** (10) **Patent No.:** **US D878,215 S**
Aboabdo (45) **Date of Patent:** **** Mar. 17, 2020**

(54) **BOTTLE**

(71) Applicant: **Chubby Gorilla, Inc.**, Santa Fe Springs, CA (US)

(72) Inventor: **Ibrahiem H. Aboabdo**, Yorba Linda, CA (US)

(73) Assignee: **Chubby Gorilla, Inc.**, Fullerton, CA (US)

(**) Term: **15 Years**

(21) Appl. No.: **29/661,406**

(22) Filed: **Aug. 27, 2018**

(51) **LOC (12) Cl.** **09-01**

(52) **U.S. Cl.**
USPC **D9/723**; D9/516; D9/711

(58) **Field of Classification Search**
USPC D9/702-714, 695-699, 435, 440, 521,
D9/454, 544, 723-724, 499, 449,
(Continued)

(56) **References Cited**

U.S. PATENT DOCUMENTS

D564,362 S * 3/2008 Nukuto D9/696
D807,758 S * 1/2018 Kim D9/697
(Continued)

Primary Examiner — Abraham Bahta

(74) *Attorney, Agent, or Firm* — Knobbe Martens Olson & Bear, LLP

(57) **CLAIM**

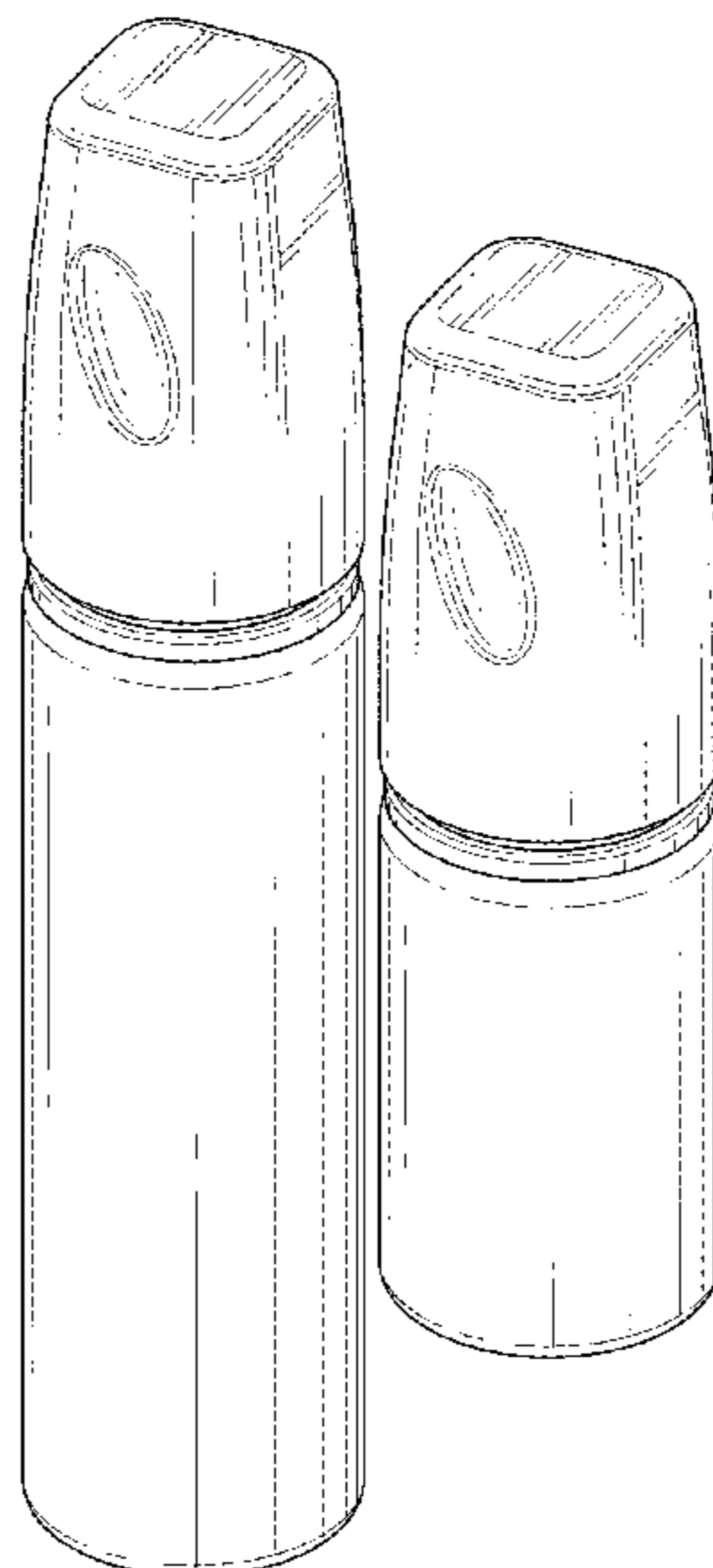
The ornamental design for bottle, as shown and described.

DESCRIPTION

FIG. 1 is a top perspective view of a first embodiment of a bottle embodying the new design.

FIG. 2 is a bottom perspective view thereof.
FIG. 3 is a front view thereof.
FIG. 4 is a rear view thereof.
FIG. 5 is a first side view thereof.
FIG. 6 is a second side view thereof.
FIG. 7 is a top view thereof.
FIG. 8 is a bottom view thereof.
FIG. 9 is an exploded perspective view thereof.
FIG. 10 is an exploded front view thereof.
FIG. 11 is a top perspective view of a second embodiment of a bottle embodying the new design.
FIG. 12 is a bottom perspective view thereof.
FIG. 13 is a front view thereof.
FIG. 14 is a rear view thereof.
FIG. 15 is a first side view thereof.
FIG. 16 is a second side view thereof.
FIG. 17 is a top view thereof.
FIG. 18 is a bottom view thereof.
FIG. 19 is an exploded perspective view thereof.
FIG. 20 is an exploded front view thereof.
FIG. 21 is a top perspective view of a third embodiment of a bottle embodying the new design.
FIG. 22 is a bottom perspective view thereof.
FIG. 23 is a front view thereof.
FIG. 24 is a rear view thereof.
FIG. 25 is a first side view thereof.
FIG. 26 is a second side view thereof.
FIG. 27 is a top view thereof.
FIG. 28 is a bottom view thereof.
FIG. 29 is an exploded perspective view thereof; and,
FIG. 30 is an exploded front view thereof.
The third embodiment is shown with a symbolic break in its length, represented by break lines. The appearance of any portion of the article between the break lines forms no part of the claimed subject matter.
All features in broken lines are for the purpose of illustrating environmental structure and form no part of the claimed subject matter.

1 Claim, 27 Drawing Sheets



(58) **Field of Classification Search**

USPC D9/727-728, 442, 447, 504; 222/92, 96,
222/107, 527-529, 215, 491, 206,
222/212-213, 251, 95, 536; 206/438,
206/822, 527; 220/DIG. 7, 669;
215/321, 382, 316, 380; 141/114-115;
D28/91.1, 76-78, 82, 88; D24/114;
D3/202, 205, 203.2, 270, 271.1-271.4;
D7/510, 514-520, 599, 601-602,
D7/612-615, 619.2, 628-629
CPC B65D 35/00; B65D 35/28; B65D 35/02;
B65D 35/04; B65D 35/08; B65D 35/36;
B65D 35/38; B65D 5/00; B65D 5/001;
B65D 5/4258; B65D 1/0223; B65D 1/02;
B65D 1/10; B65D 1/46; B65D 23/00;
B65D 2585/00; B65D 81/60; B65D
81/365; B65D 81/366; B65D 81/368;
B65D 2203/00; B65D 2203/02

See application file for complete search history.

(56) **References Cited**

U.S. PATENT DOCUMENTS

D832,718 S * 11/2018 Aboabdo D9/680
D850,279 S * 6/2019 Liu D9/695
D855,476 S * 8/2019 Aboabdo D9/724

* cited by examiner

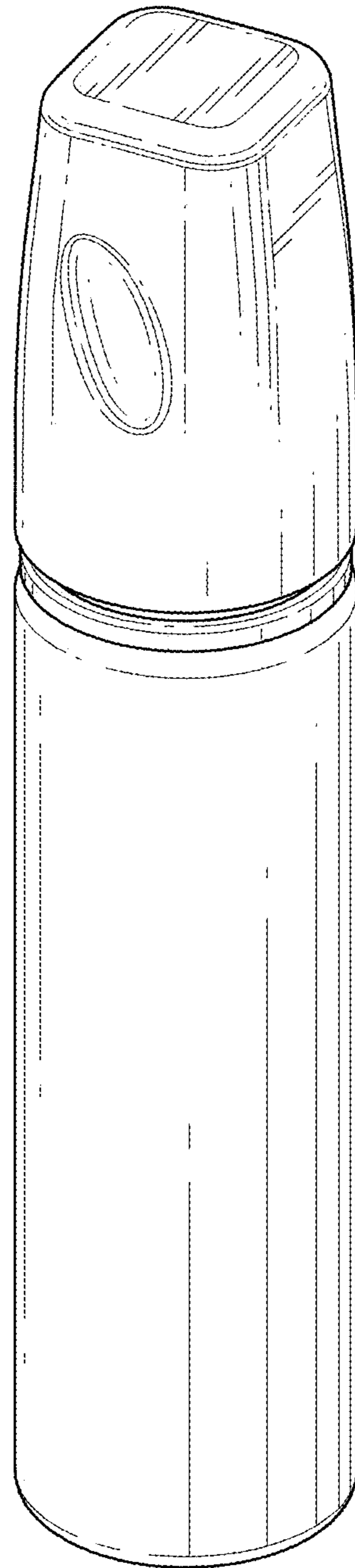


FIG. 1

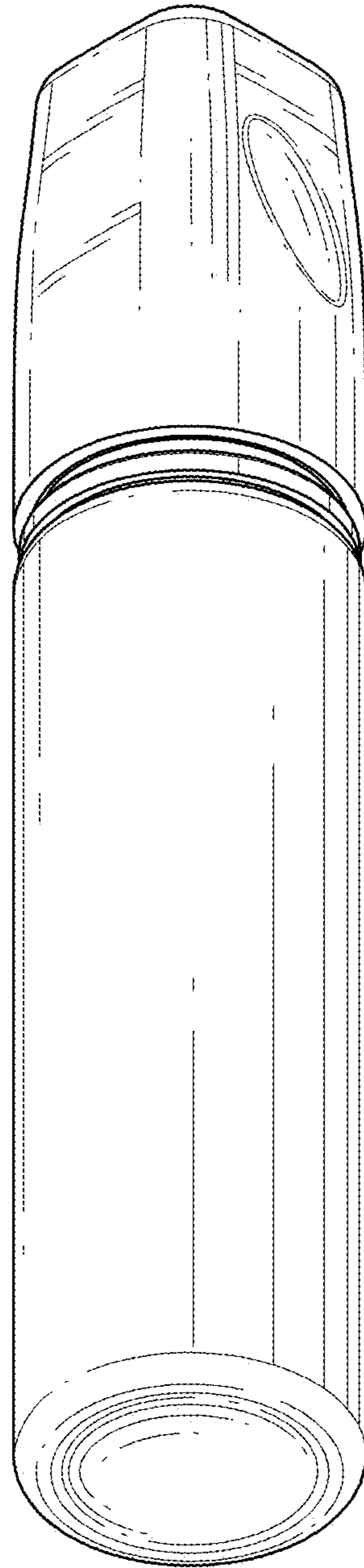


FIG. 2

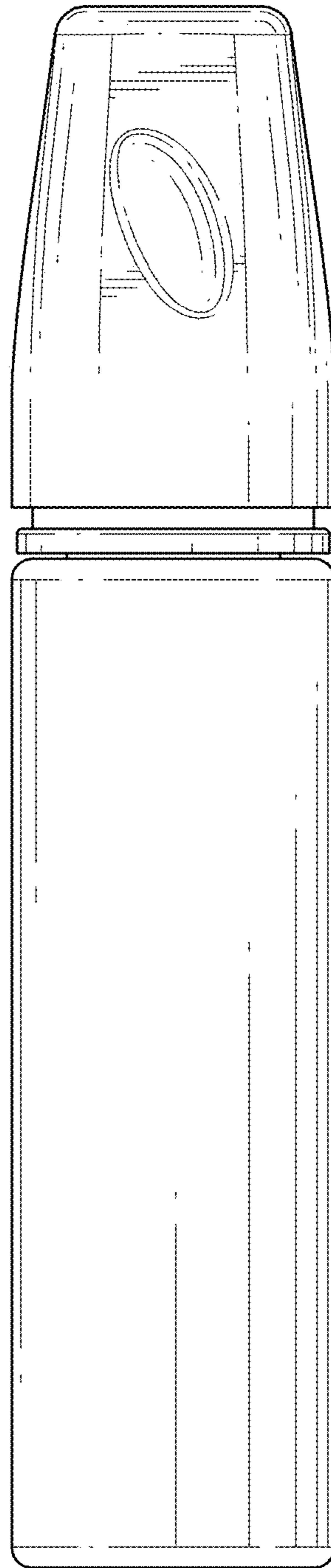


FIG. 3

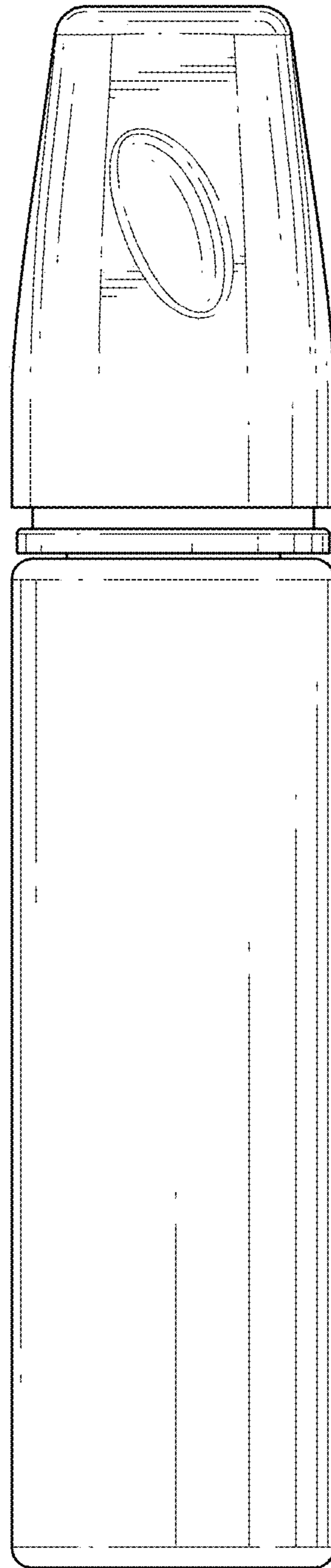


FIG. 4

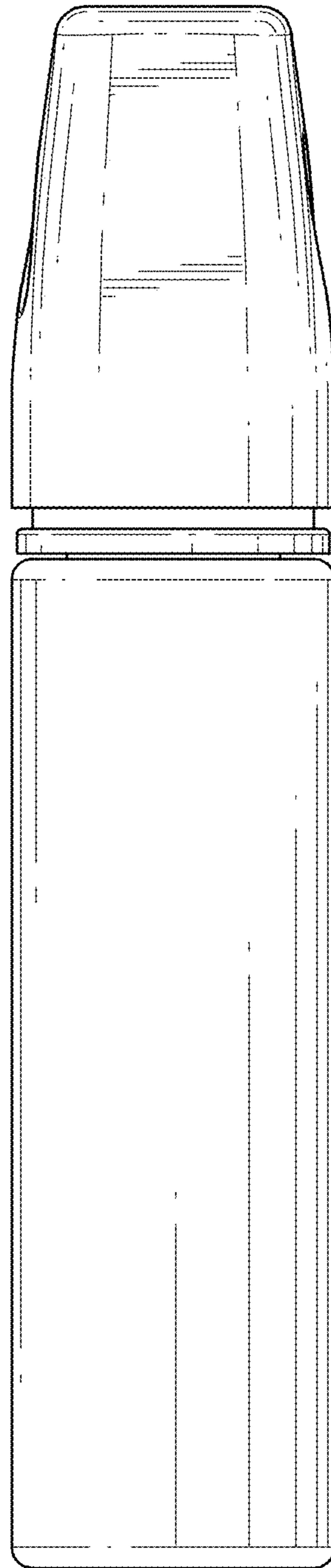


FIG. 5

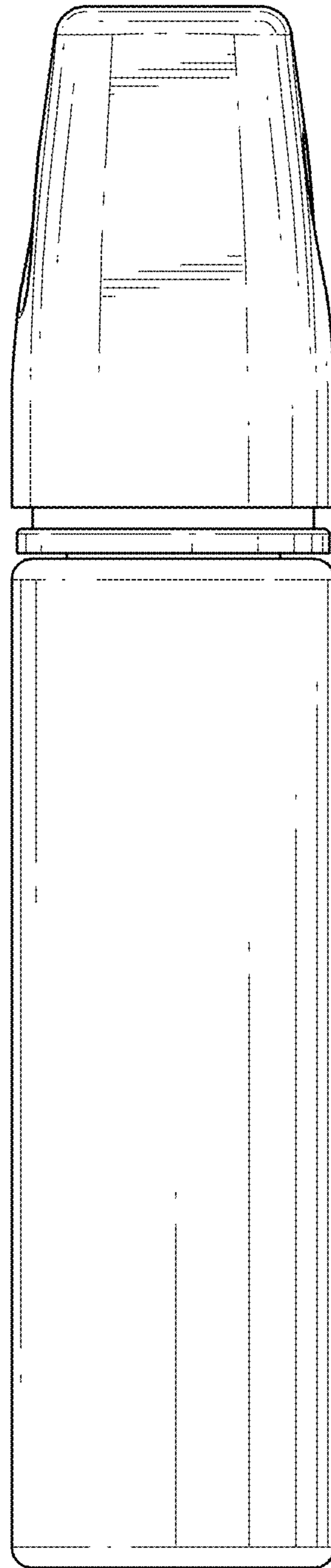


FIG. 6

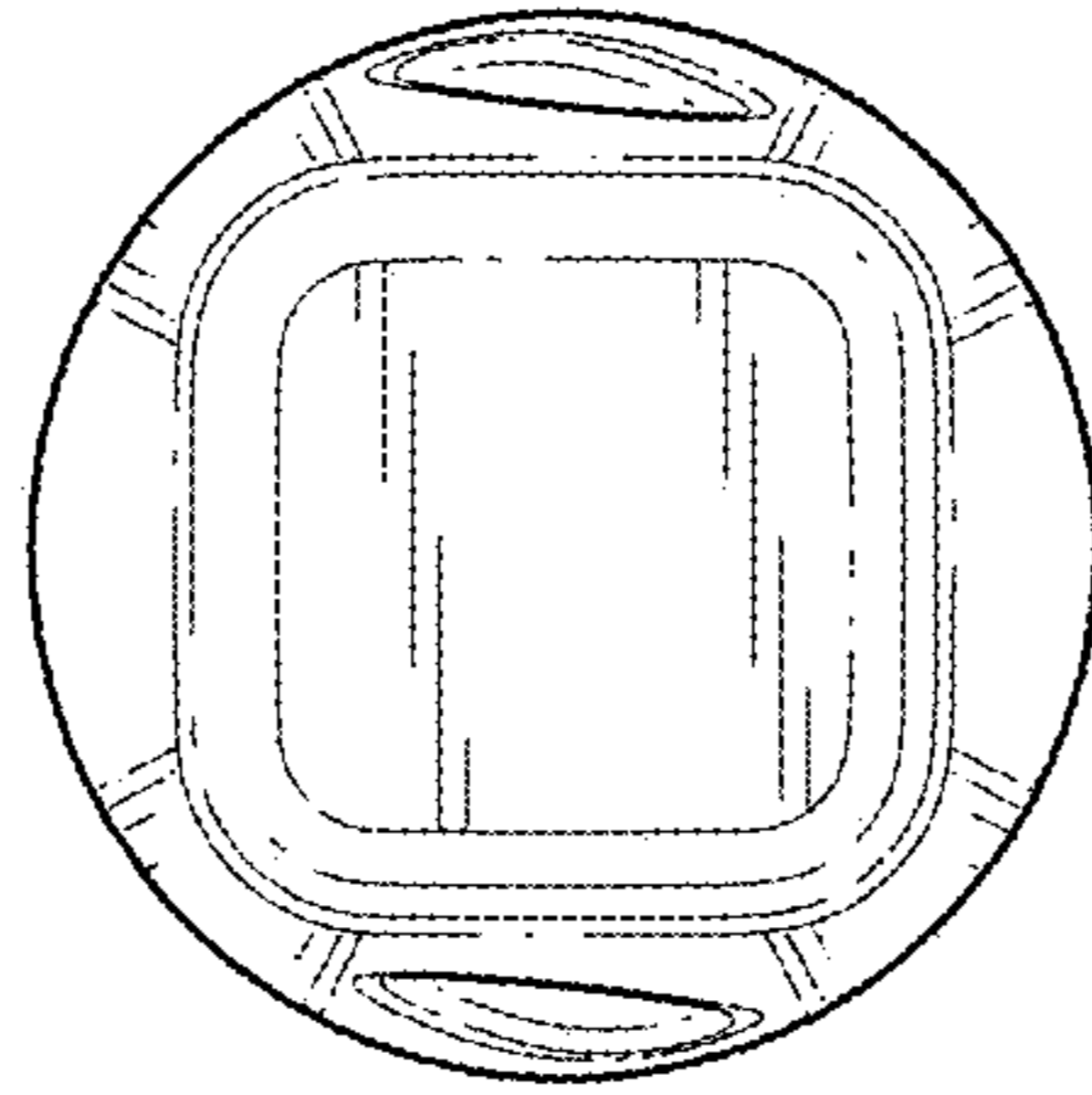


FIG. 7

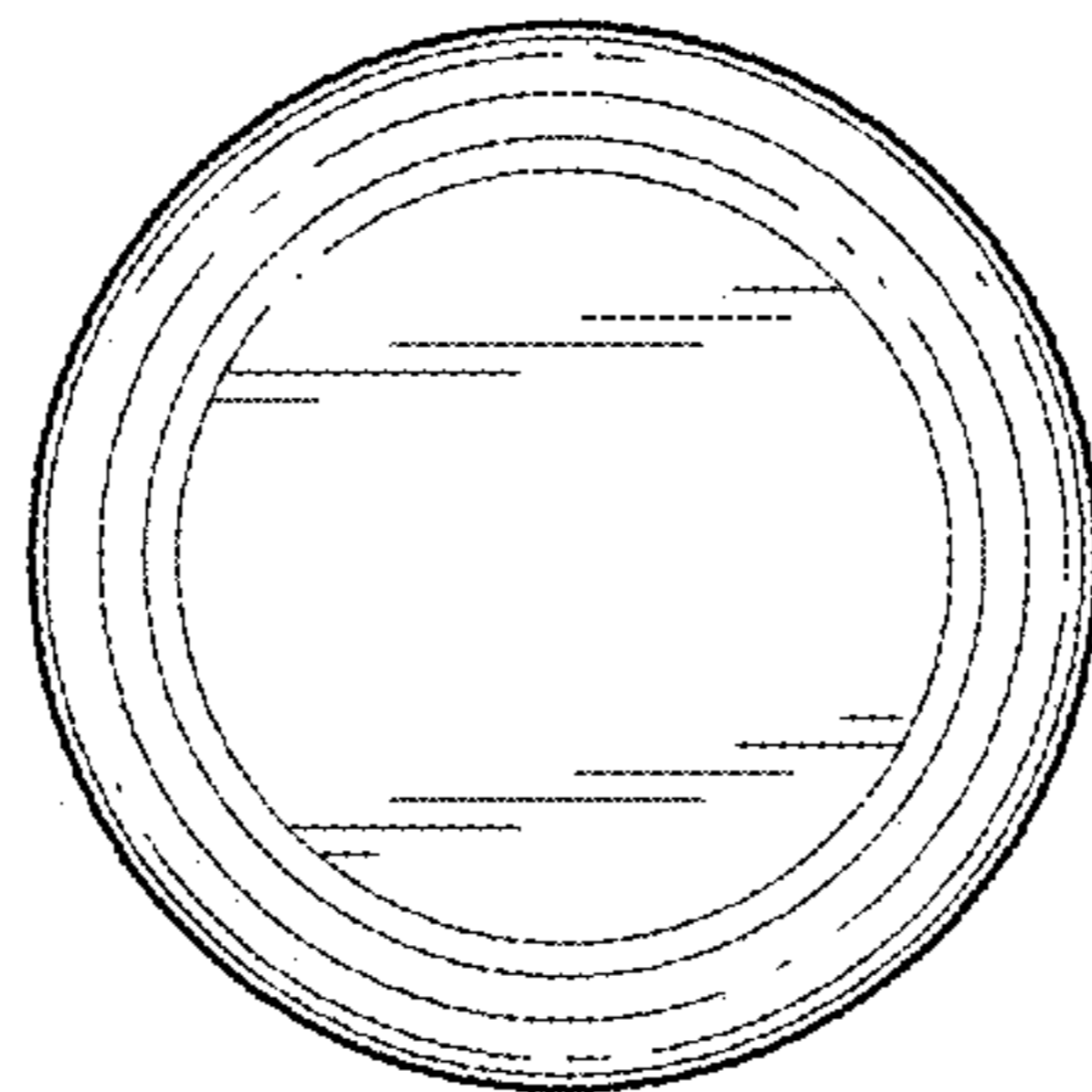


FIG. 8

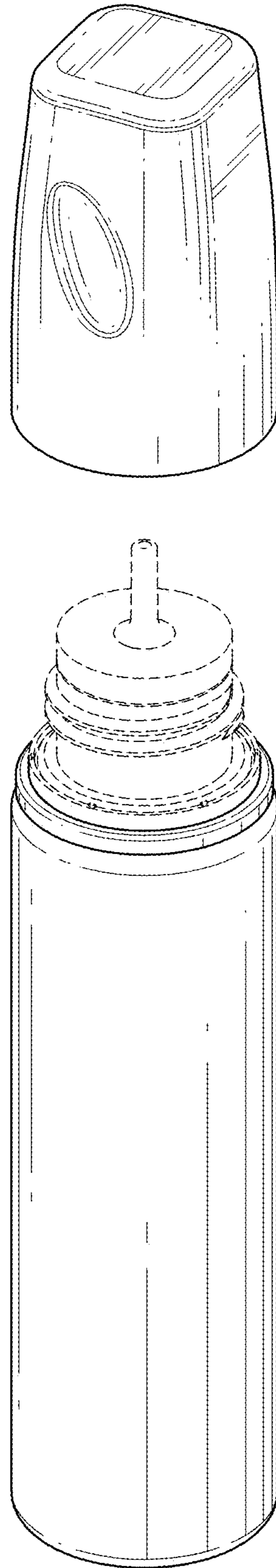


FIG. 9

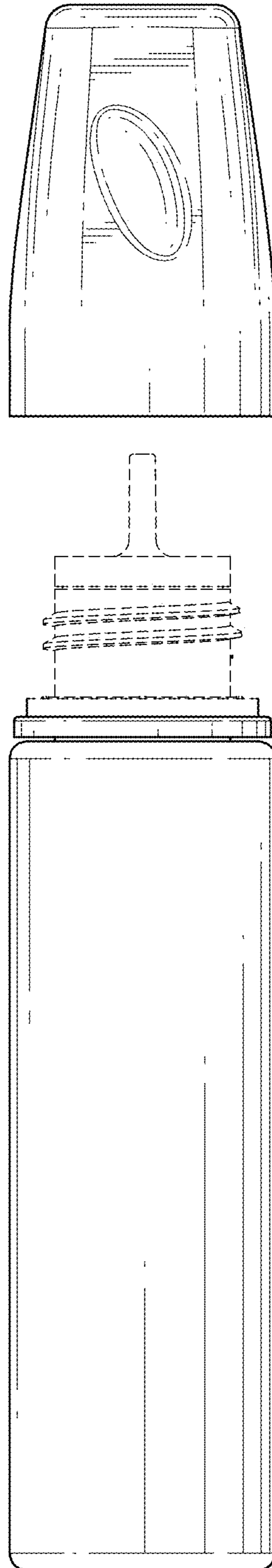


FIG. 10

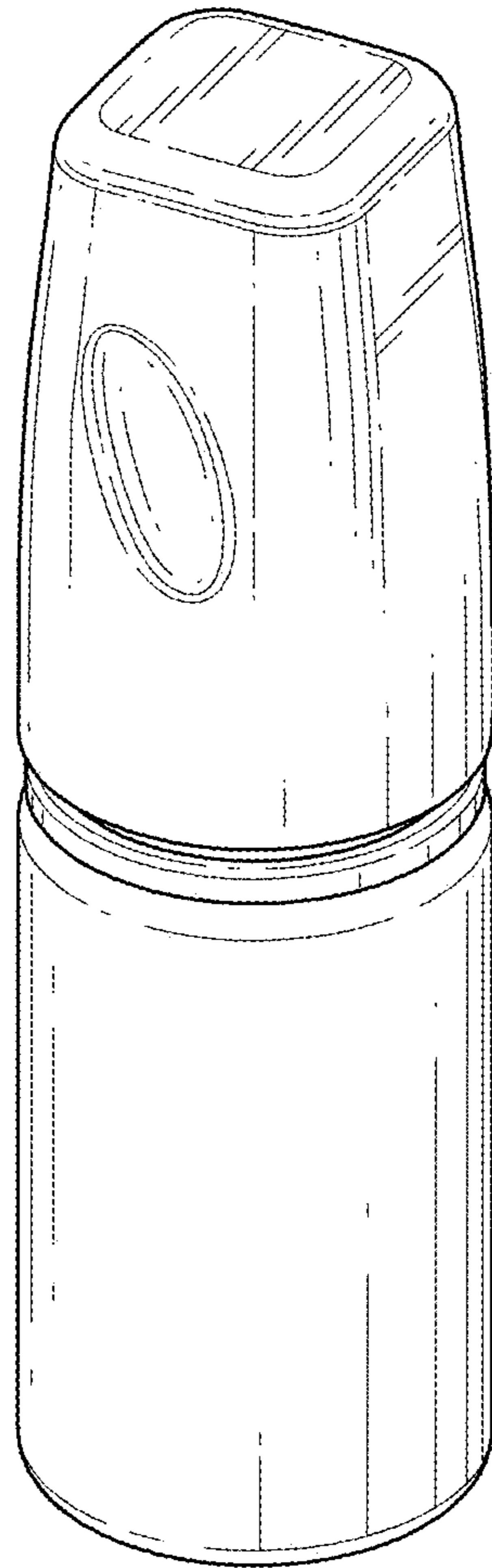


FIG. 11

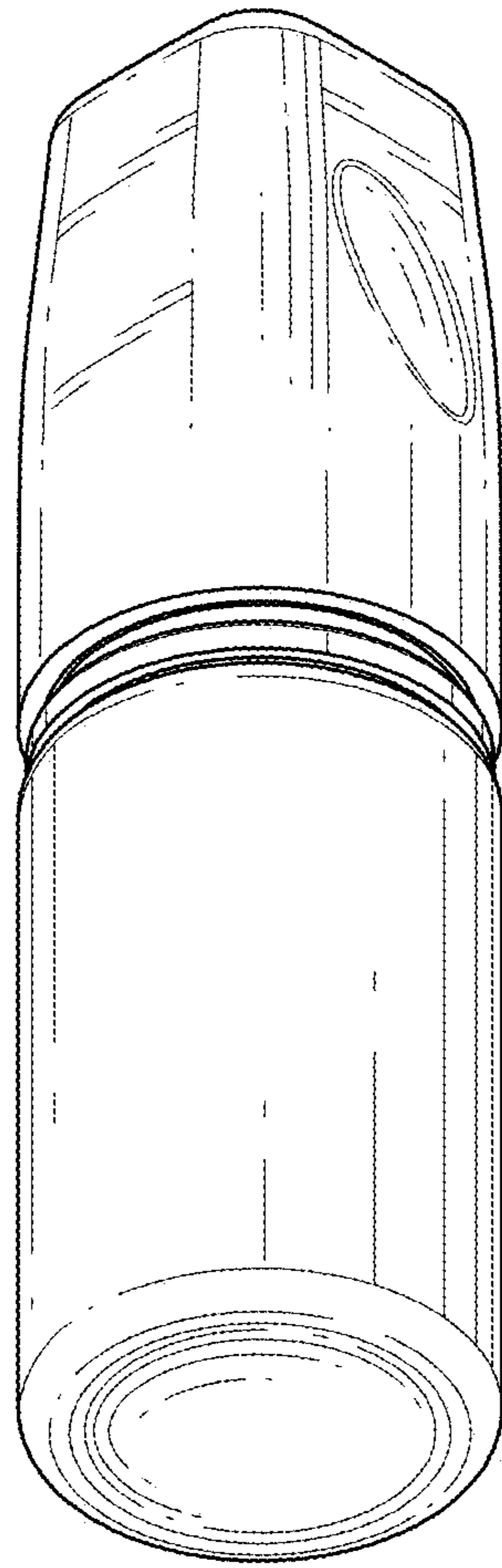


FIG. 12

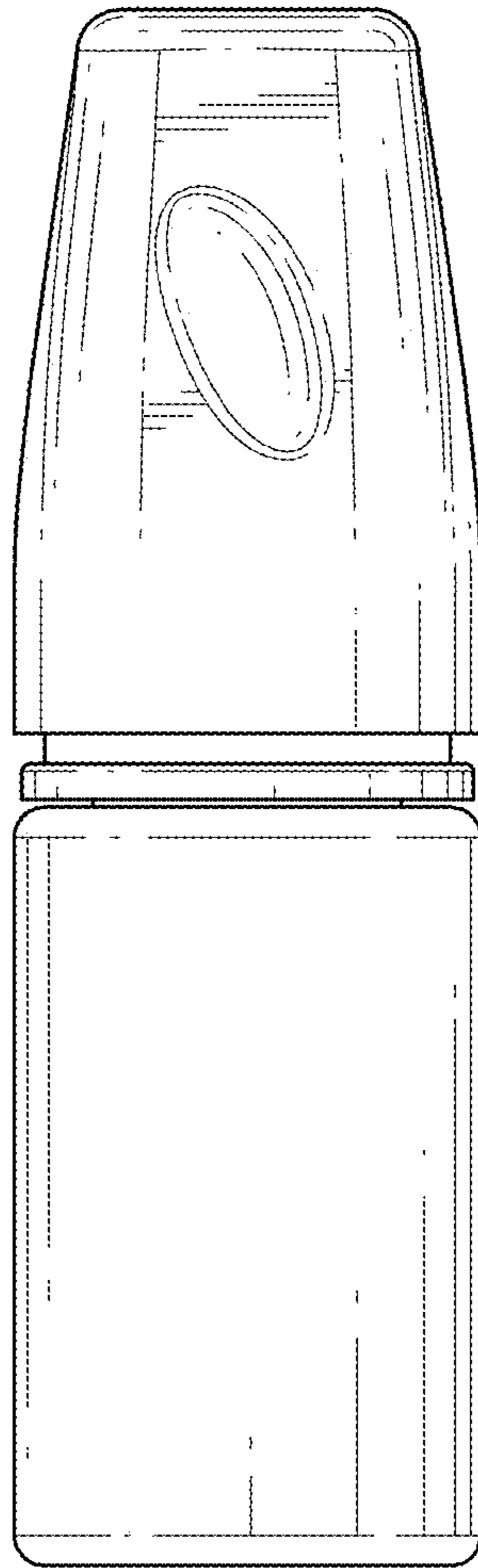


FIG. 13

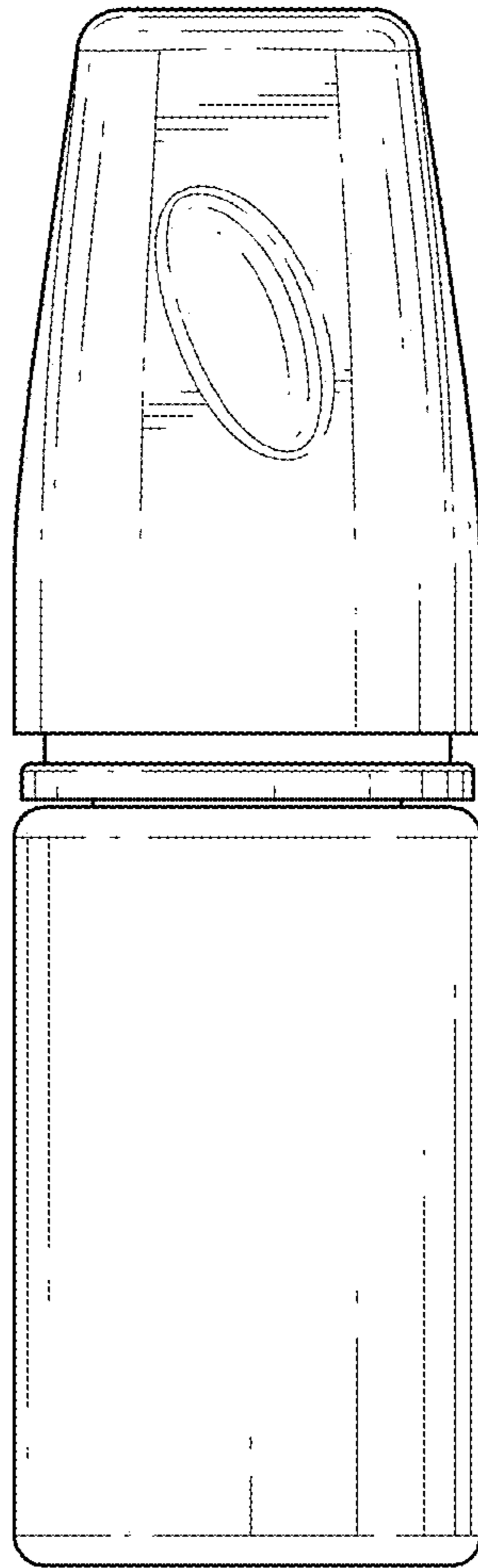


FIG. 14

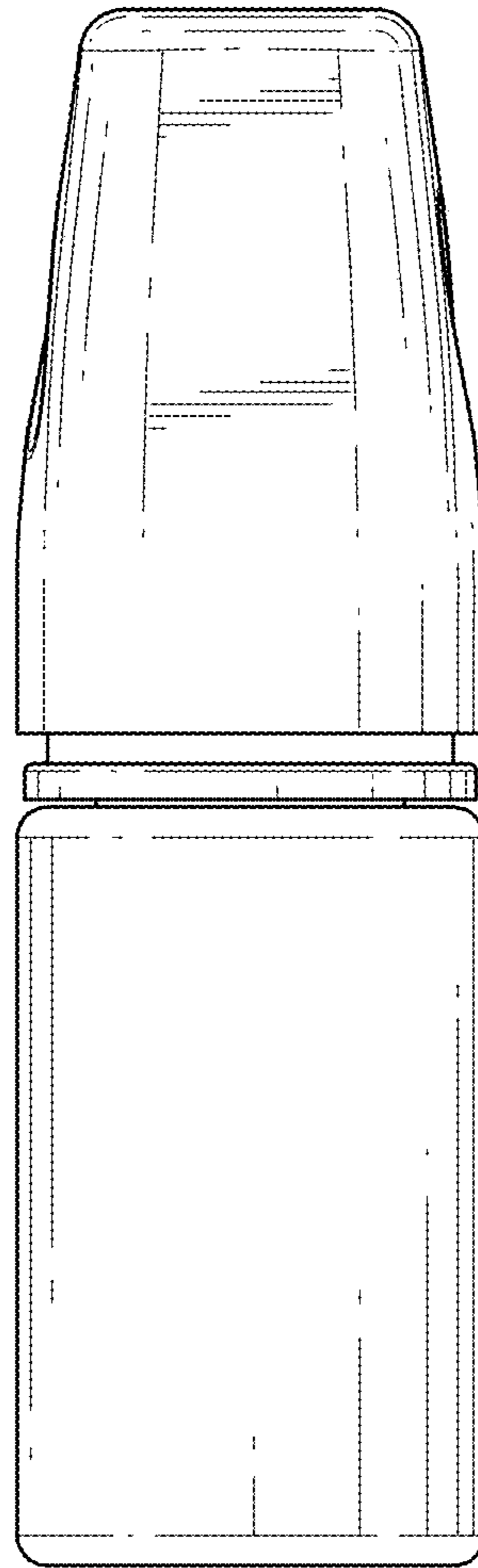


FIG. 15

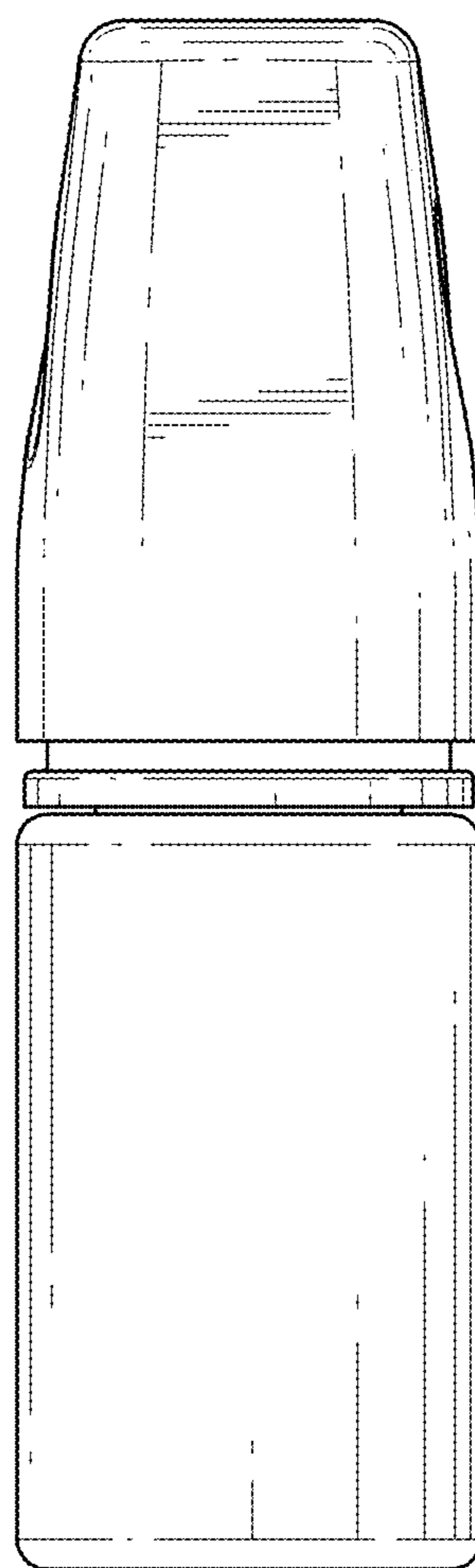


FIG. 16

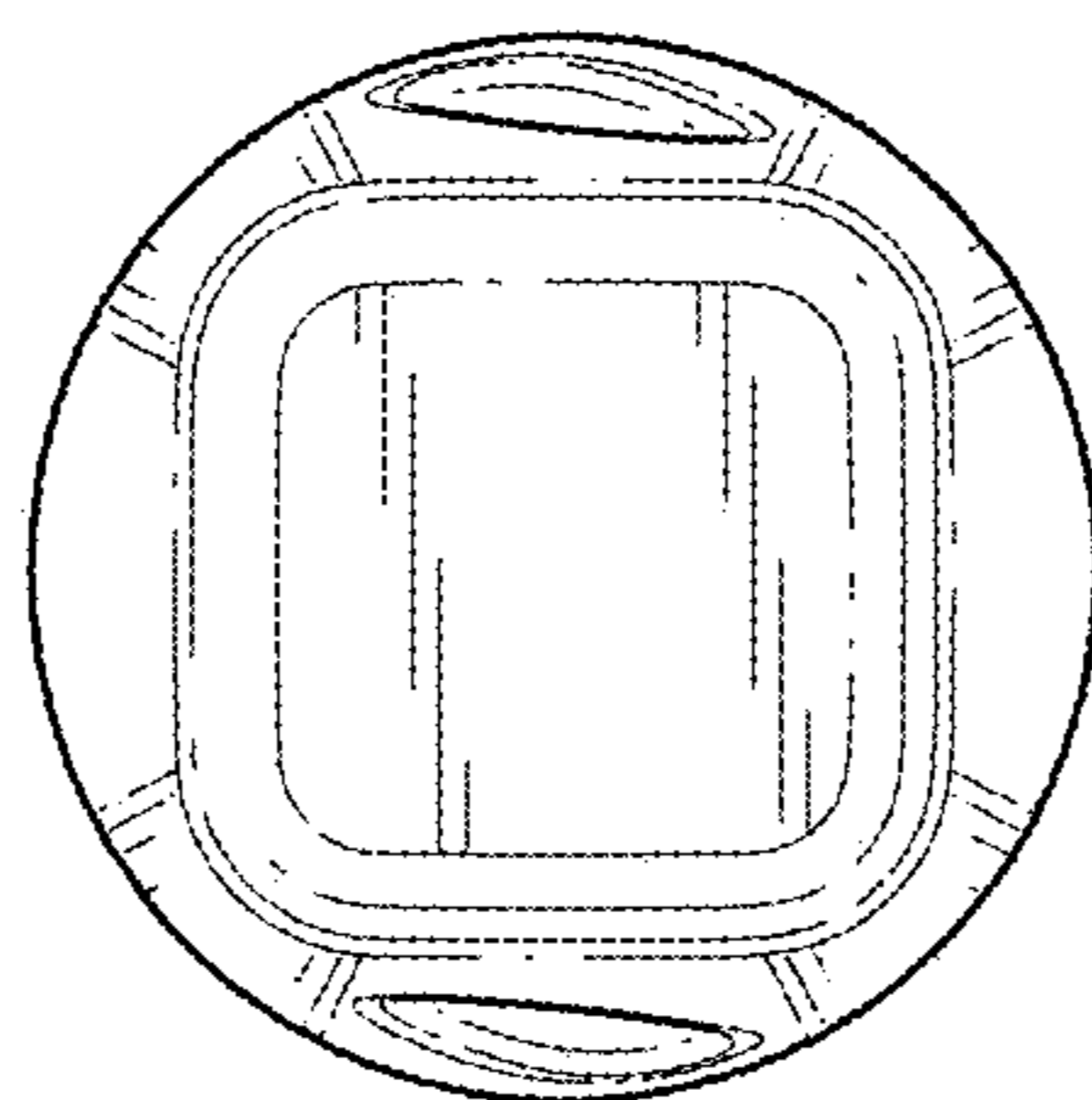


FIG. 17

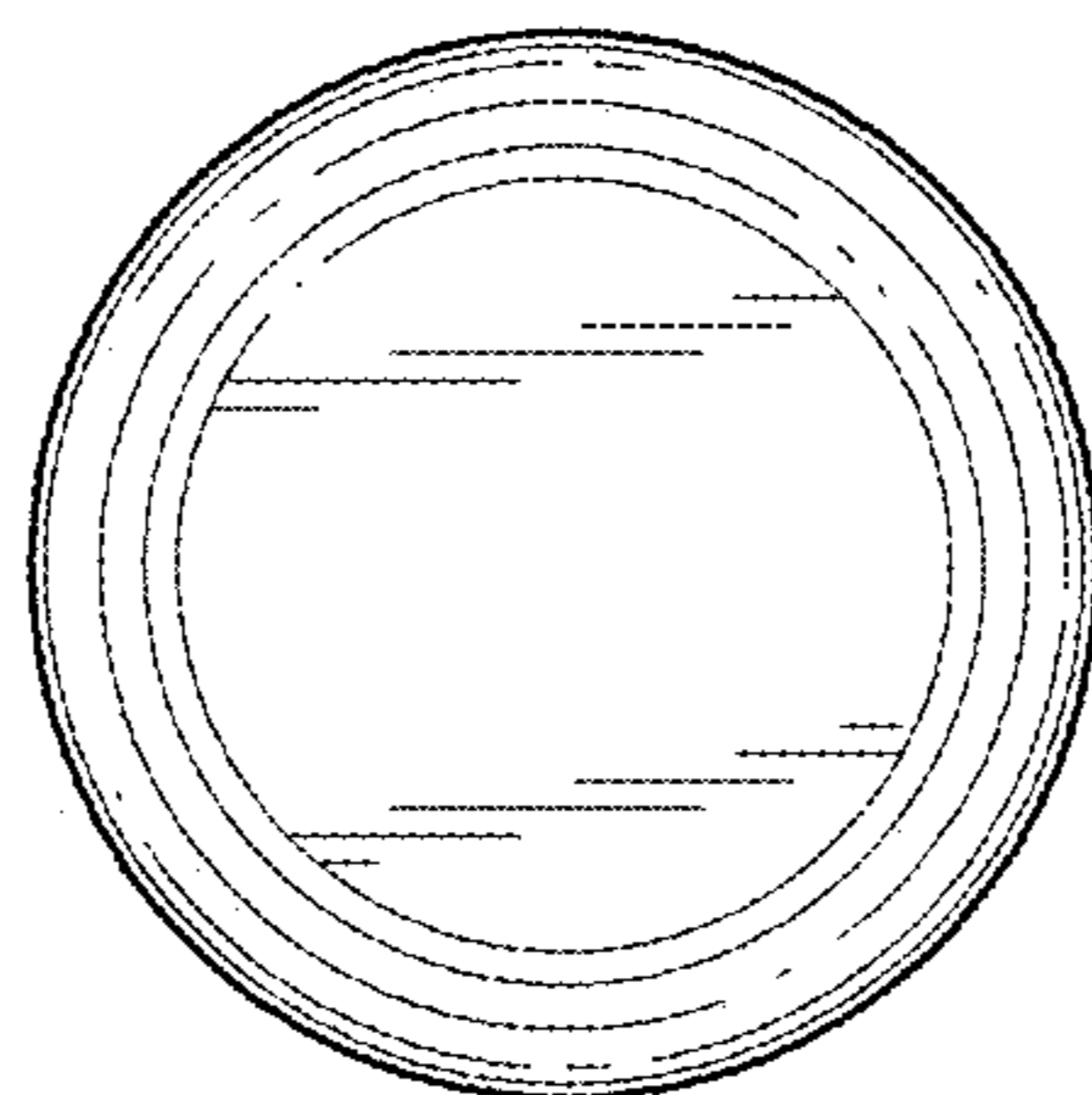


FIG. 18

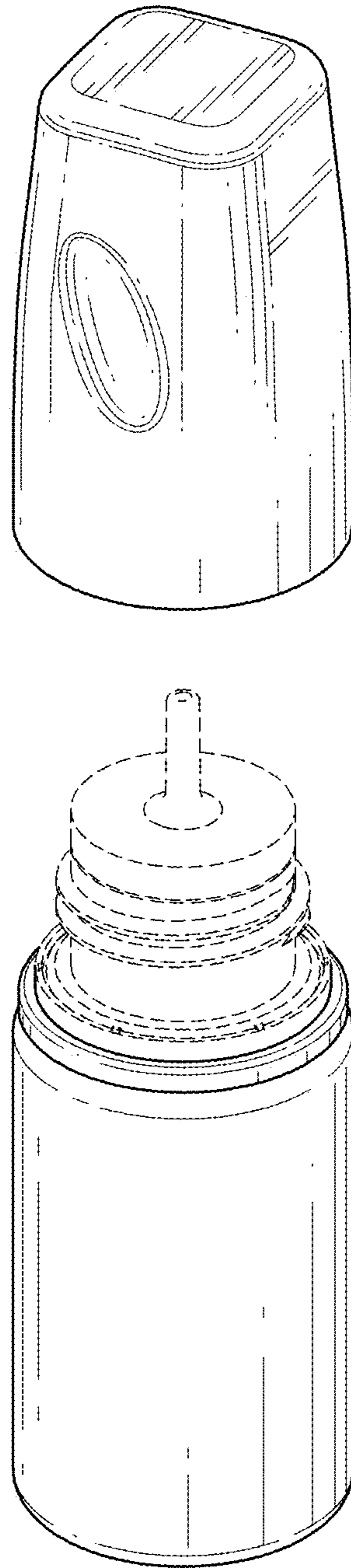


FIG. 19

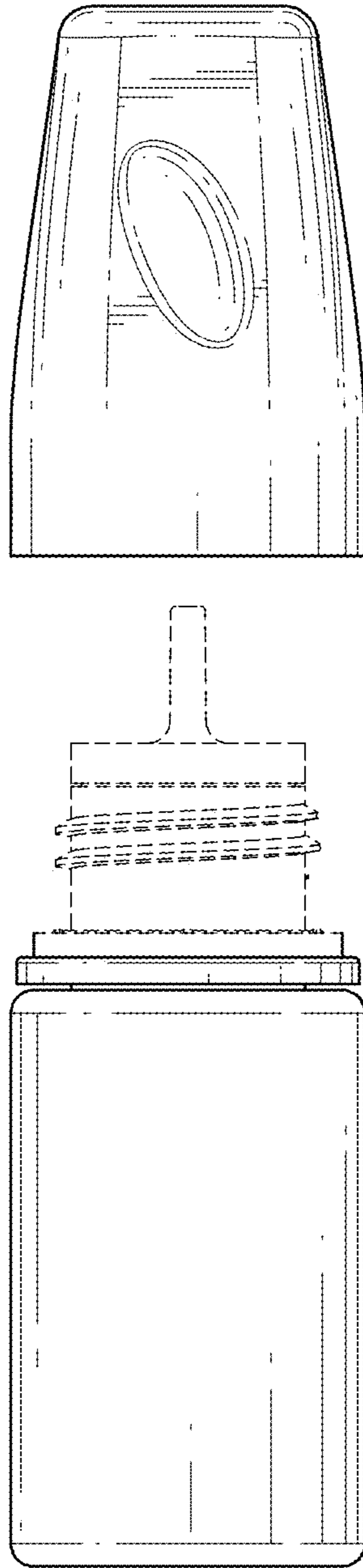


FIG. 20

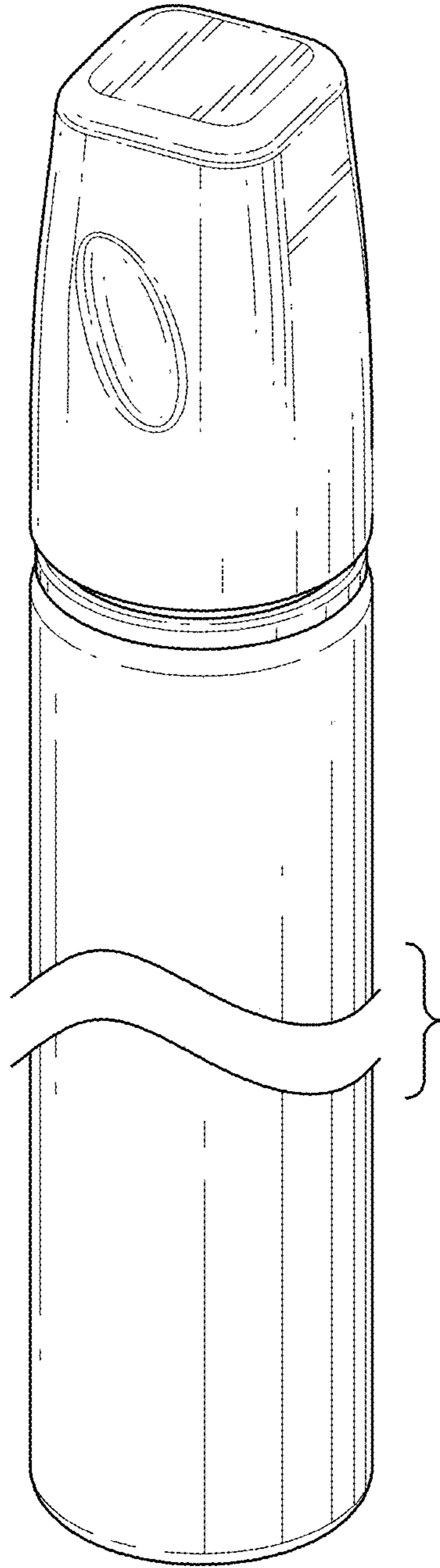


FIG. 21

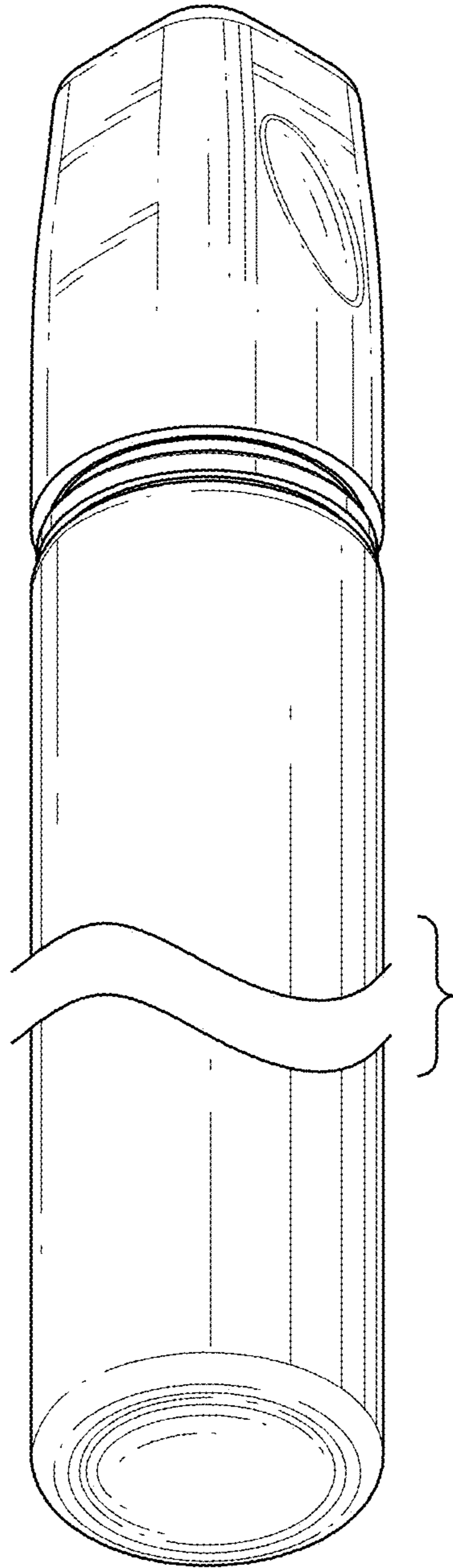


FIG. 22

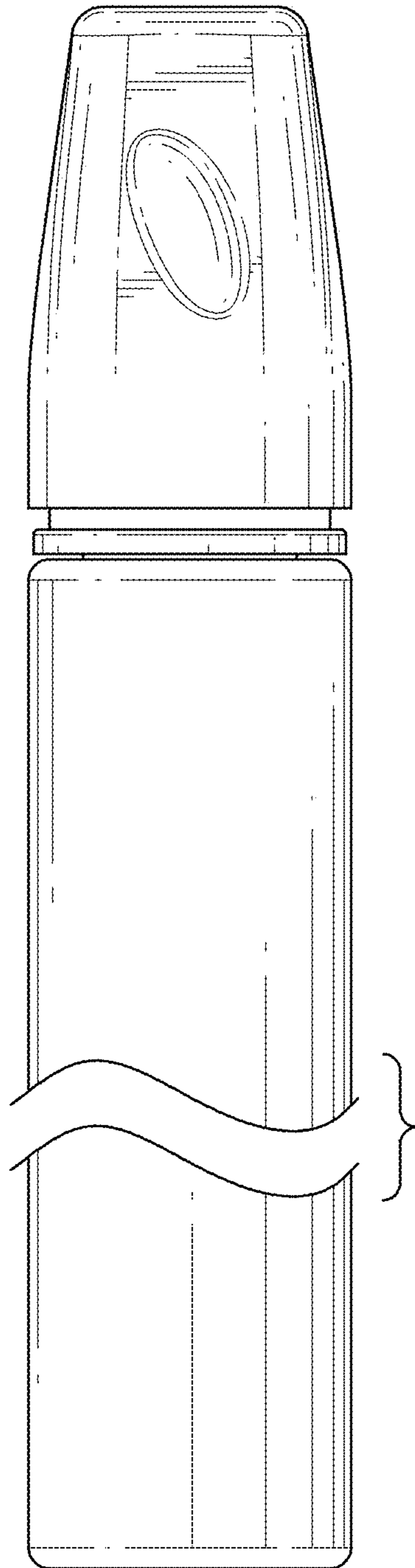


FIG. 23

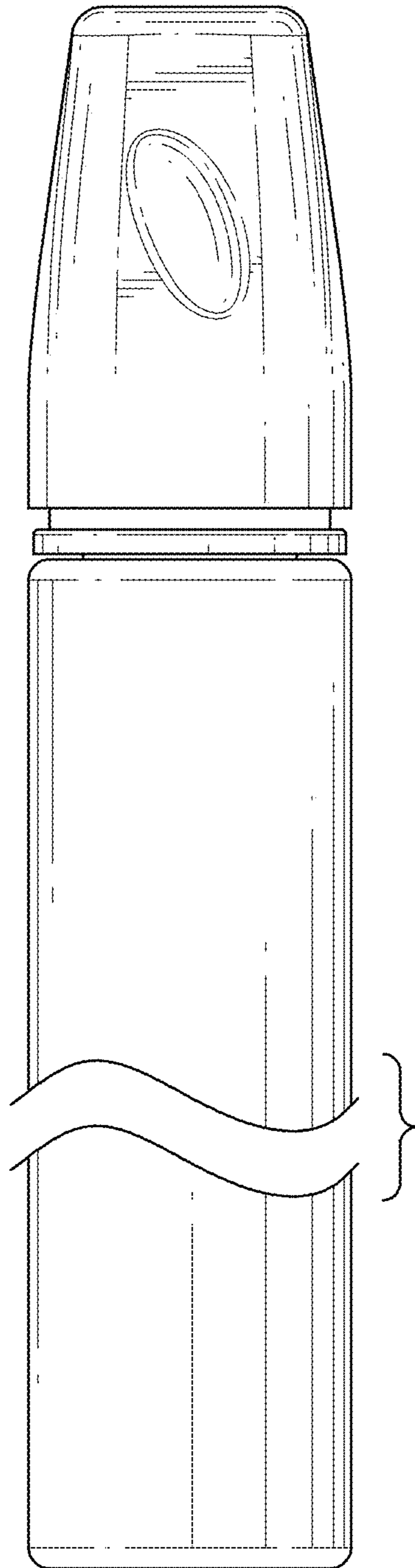


FIG. 24

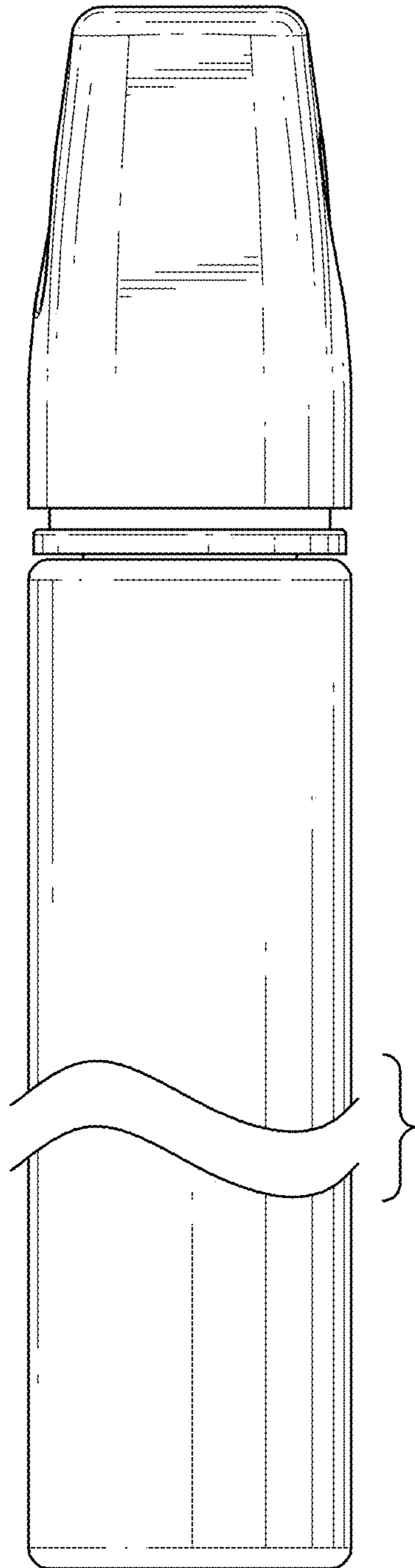


FIG. 25

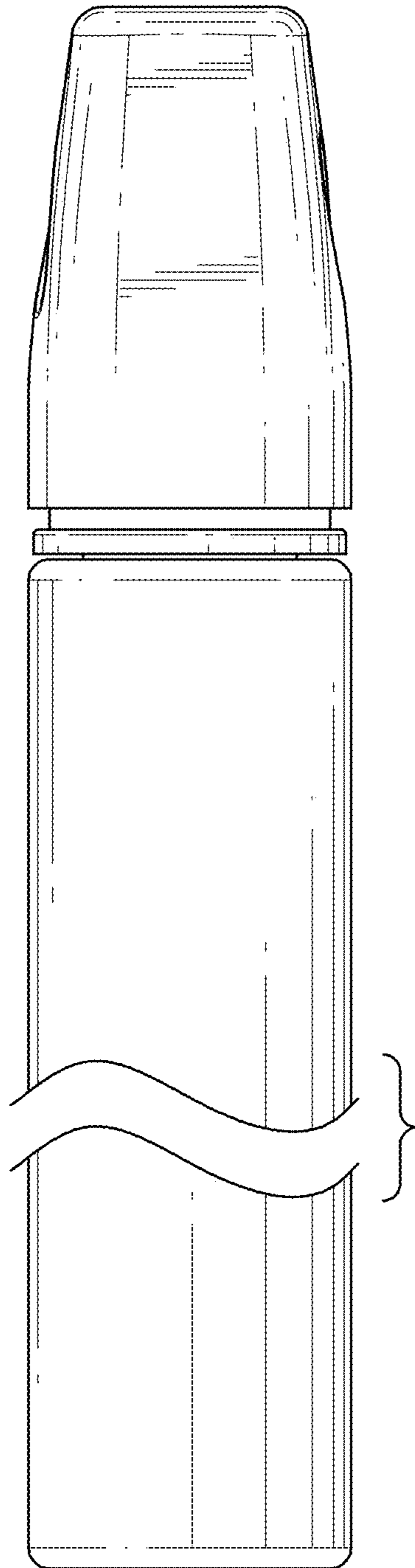


FIG. 26

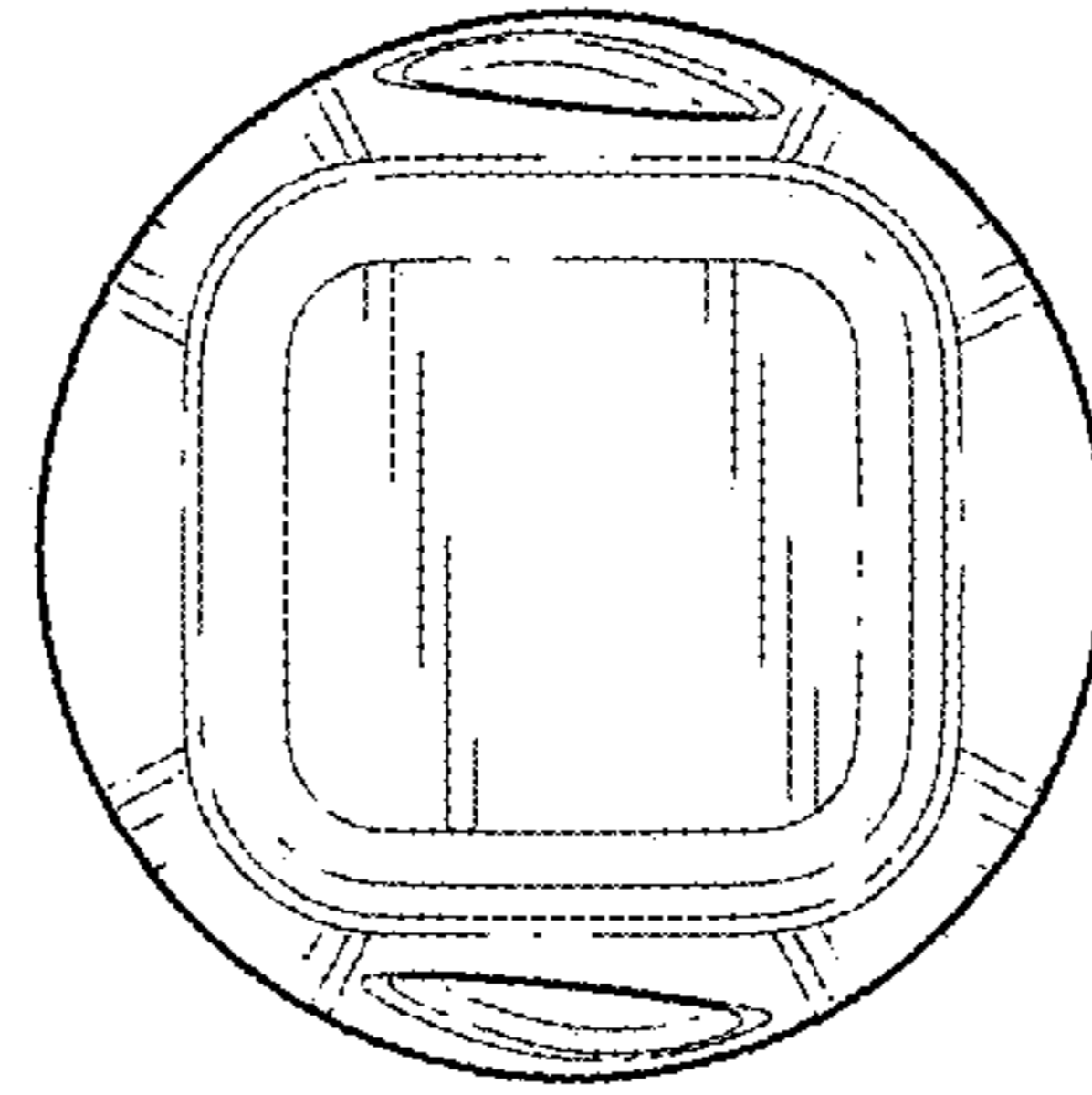


FIG. 27

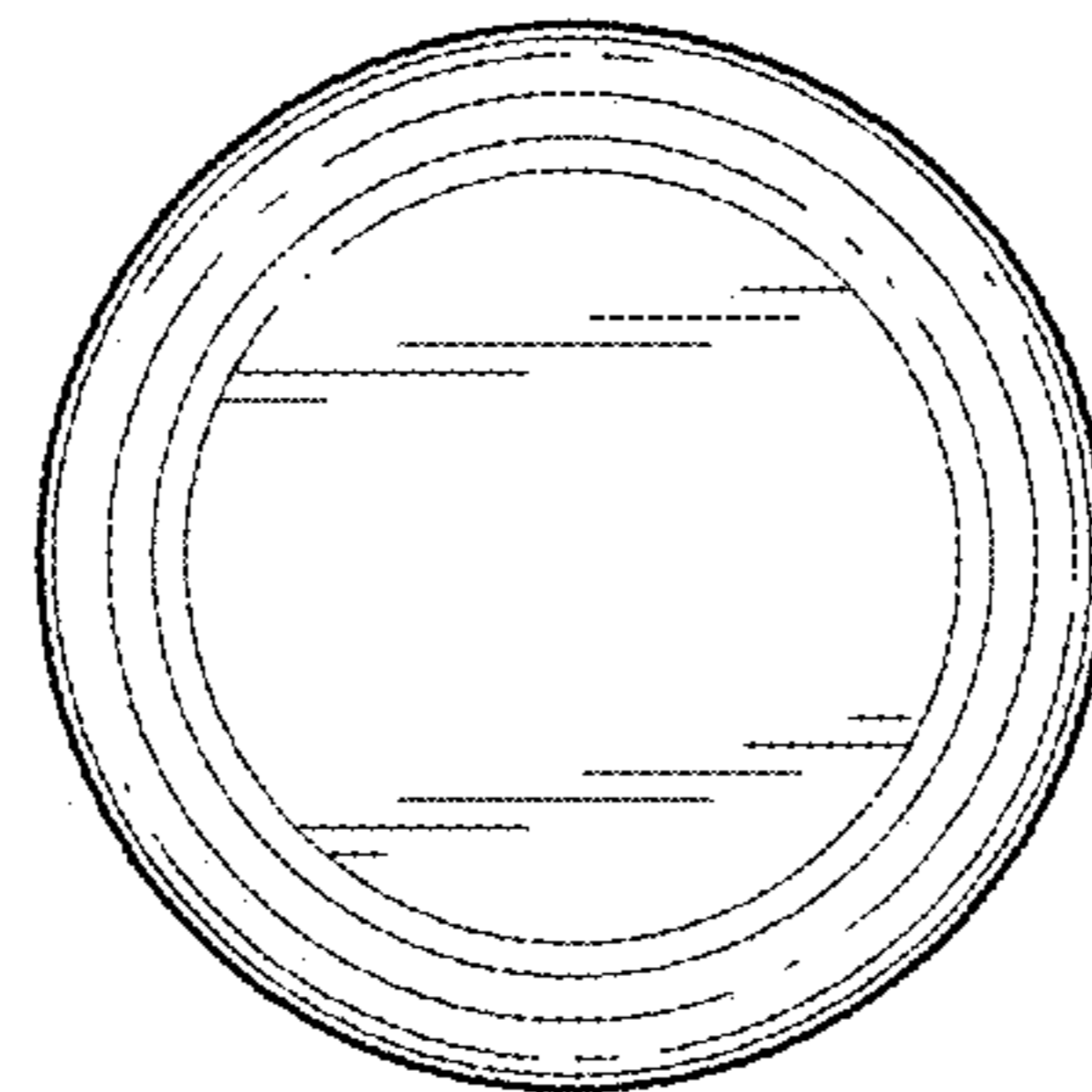


FIG. 28

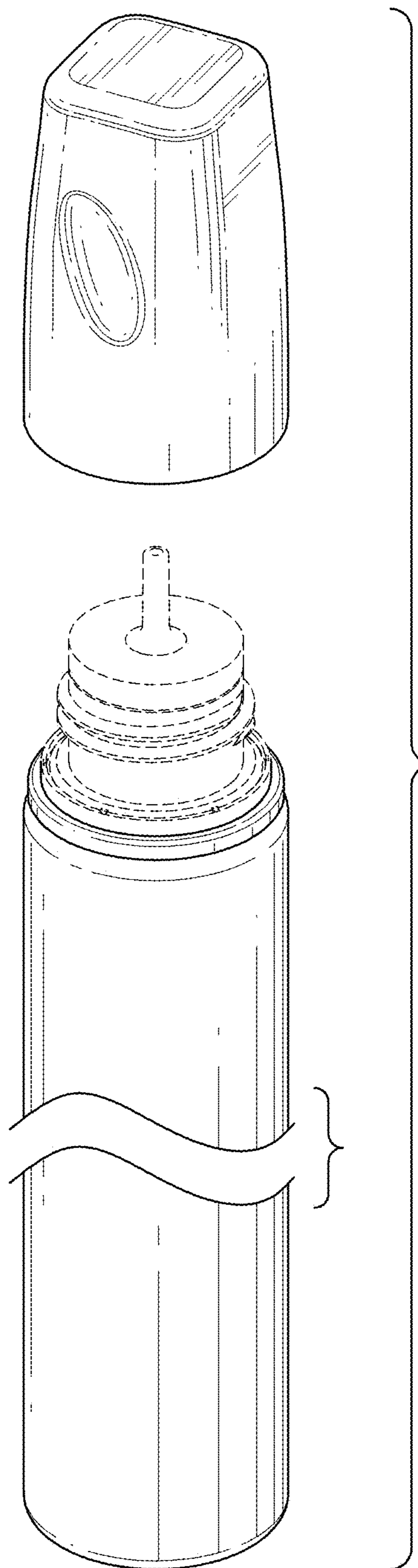


FIG. 29

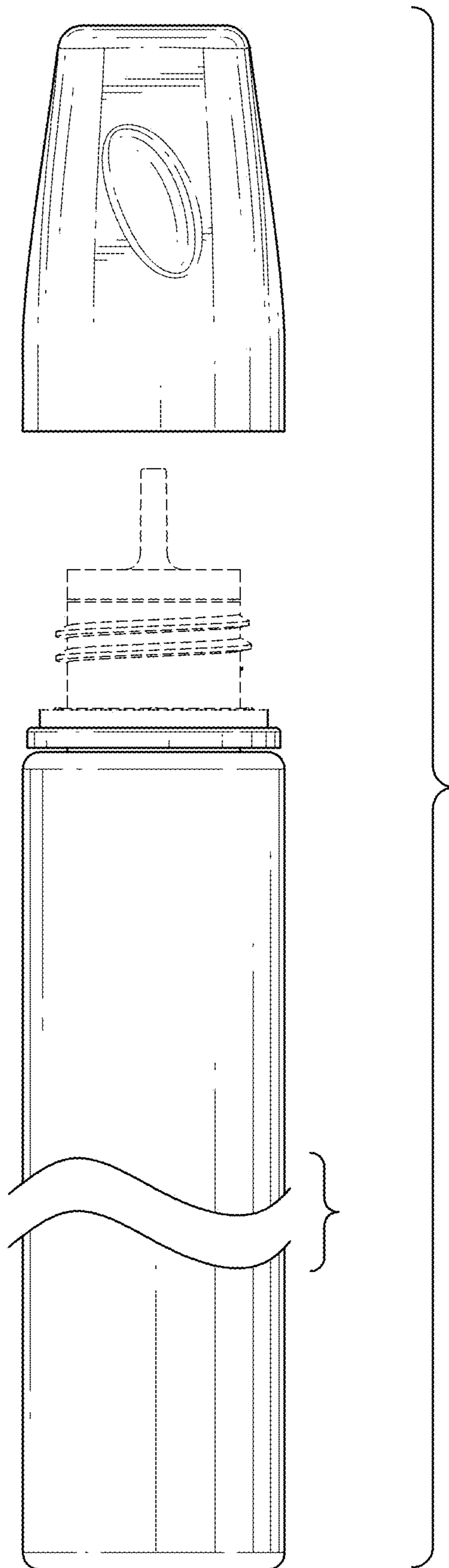


FIG. 30