



US00D878214S

(12) **United States Design Patent** (10) **Patent No.:** **US D878,214 S**
Robin et al. (45) **Date of Patent:** **** Mar. 17, 2020**

(54) **BOTTLE PROTECTOR**

(71) Applicant: **VIRBAC**, Carros (FR)

(72) Inventors: **Michel Robin**, Carros (FR); **Laurent Rodrigues**, Carros (FR); **Arnaud Steiner**, Carros (FR); **Benoit Berny**, Carros (FR)

(73) Assignee: **VIRBAC**, Carros (FR)

(**) Term: **15 Years**

(21) Appl. No.: **35/505,994**

(22) Filed: **Sep. 7, 2018**

(80) **Hague Agreement Data**

Int. Filing Date: **Sep. 7, 2018**

Int. Reg. No.: **DM/103483**

Int. Reg. Date: **Sep. 7, 2018**

Int. Reg. Pub. Date: **Nov. 9, 2018**

(51) **LOC (12) Cl.** **09-01**

(52) **U.S. Cl.**

USPC **D9/546**

(58) **Field of Classification Search**

USPC D9/546, 559, 569, 453, 538, 520, 542,
D9/553, 415; D24/224; D23/213;
D7/510, 396.2; D17/13

CPC B65D 1/0223

See application file for complete search history.

(56) **References Cited**

U.S. PATENT DOCUMENTS

D351,795 S * 10/1994 Ogden D9/453

D353,776 S * 12/1994 Woods D9/553

D367,613 S * 3/1996 Weiler D24/224
D370,961 S * 6/1996 Soule D23/213
D447,062 S * 8/2001 Cheng D9/553
D638,717 S * 5/2011 Schulman D9/542
D764,922 S * 8/2016 Eble D9/520
D772,070 S * 11/2016 Broen D9/415
D779,584 S * 2/2017 Jarosz D17/13
D781,156 S * 3/2017 Minakuchi D9/538
10,183,779 B2 * 1/2019 Yourist B65D 1/0223
D839,736 S * 2/2019 Pinard D9/453
D840,238 S * 2/2019 Hudson D9/559
D841,394 S * 2/2019 Simmons D7/396.2
D842,705 S * 3/2019 Erceg D9/569
D849,549 S * 5/2019 Stark D9/559
D854,886 S * 7/2019 Lou D7/510

* cited by examiner

Primary Examiner — Rhea Shields

(74) *Attorney, Agent, or Firm* — Warner Norcross + Judd LLP

(57) **CLAIM**

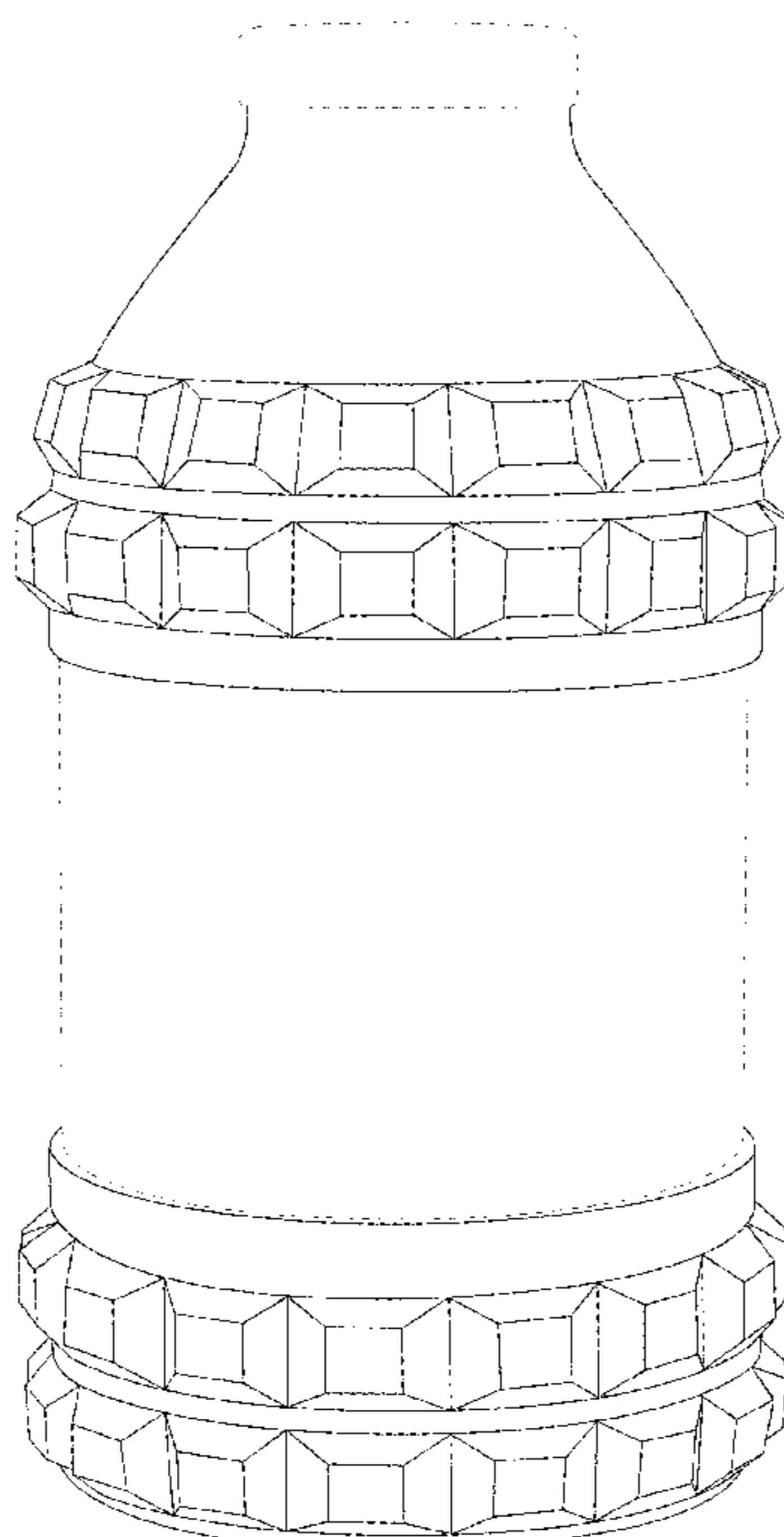
The ornamental design for a bottle protector, as shown and described.

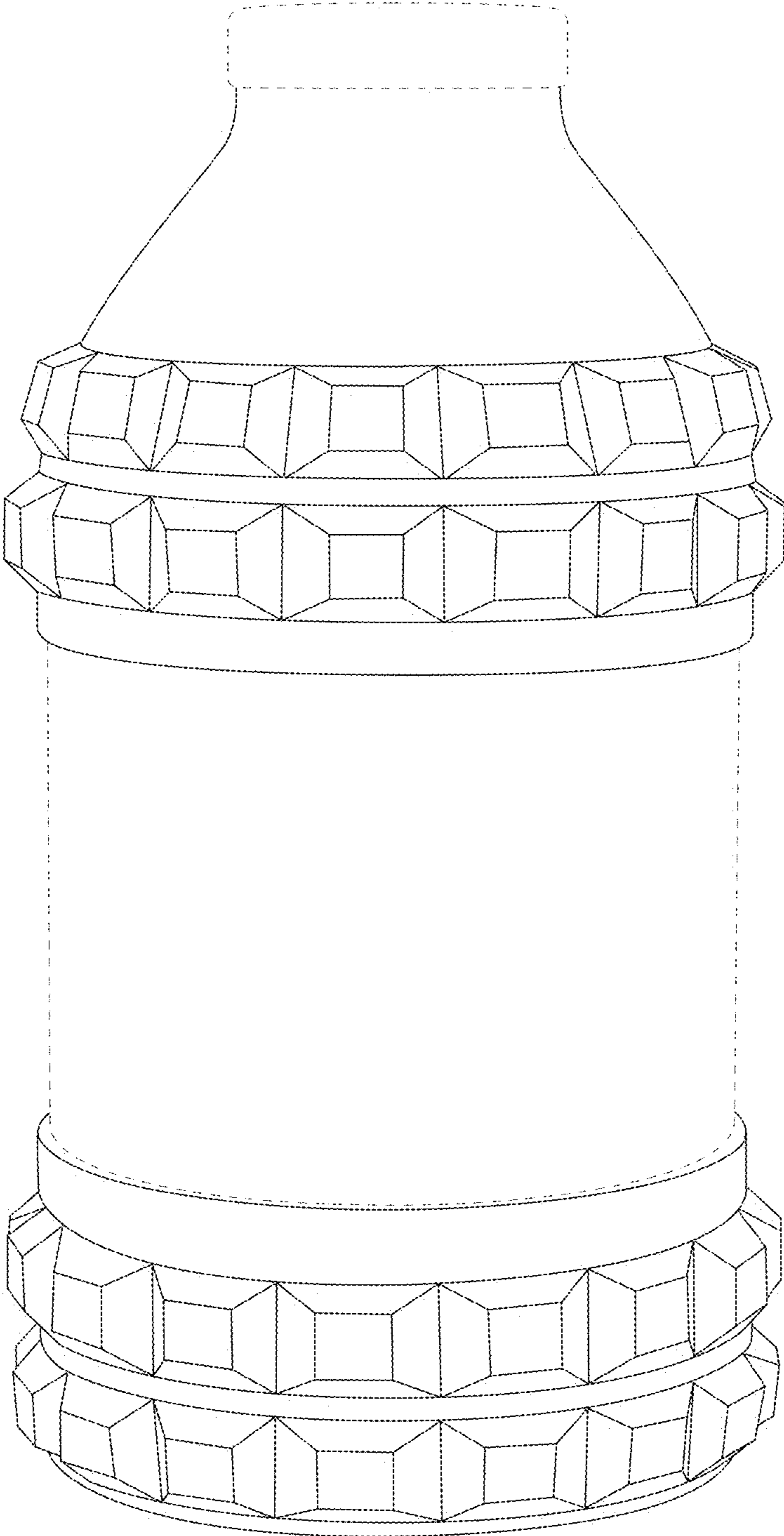
DESCRIPTION

- 1. Bottle protector
- 1.1 : Front
- 1.2 : Horizontal front
- 1.3 : Bottom
- 1.4 : Top

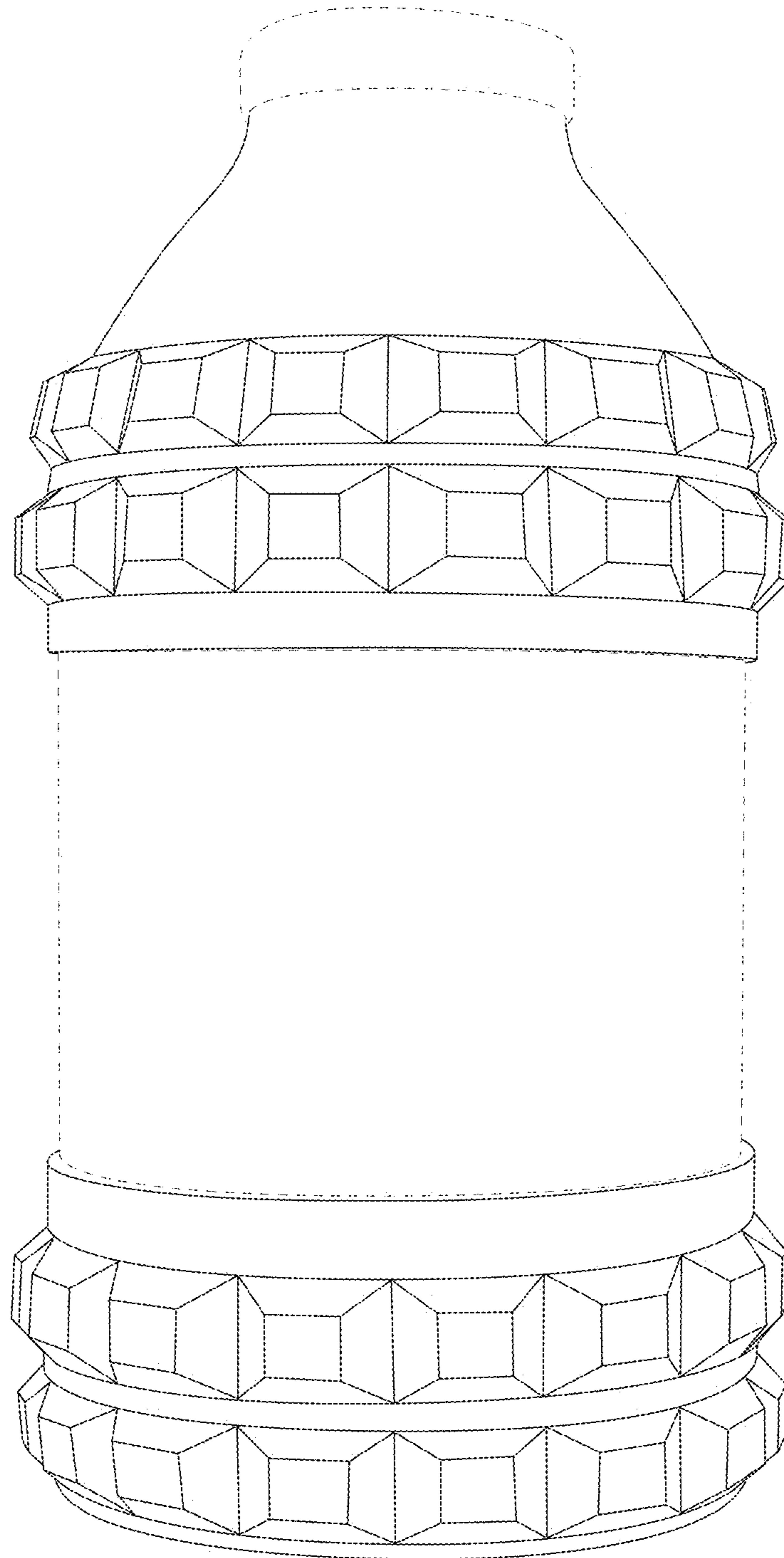
In the reproductions, the broken lines are for the purpose of illustrating portions of the bottle protector that form no part of the claimed design.

1 Claim, 3 Drawing Sheets

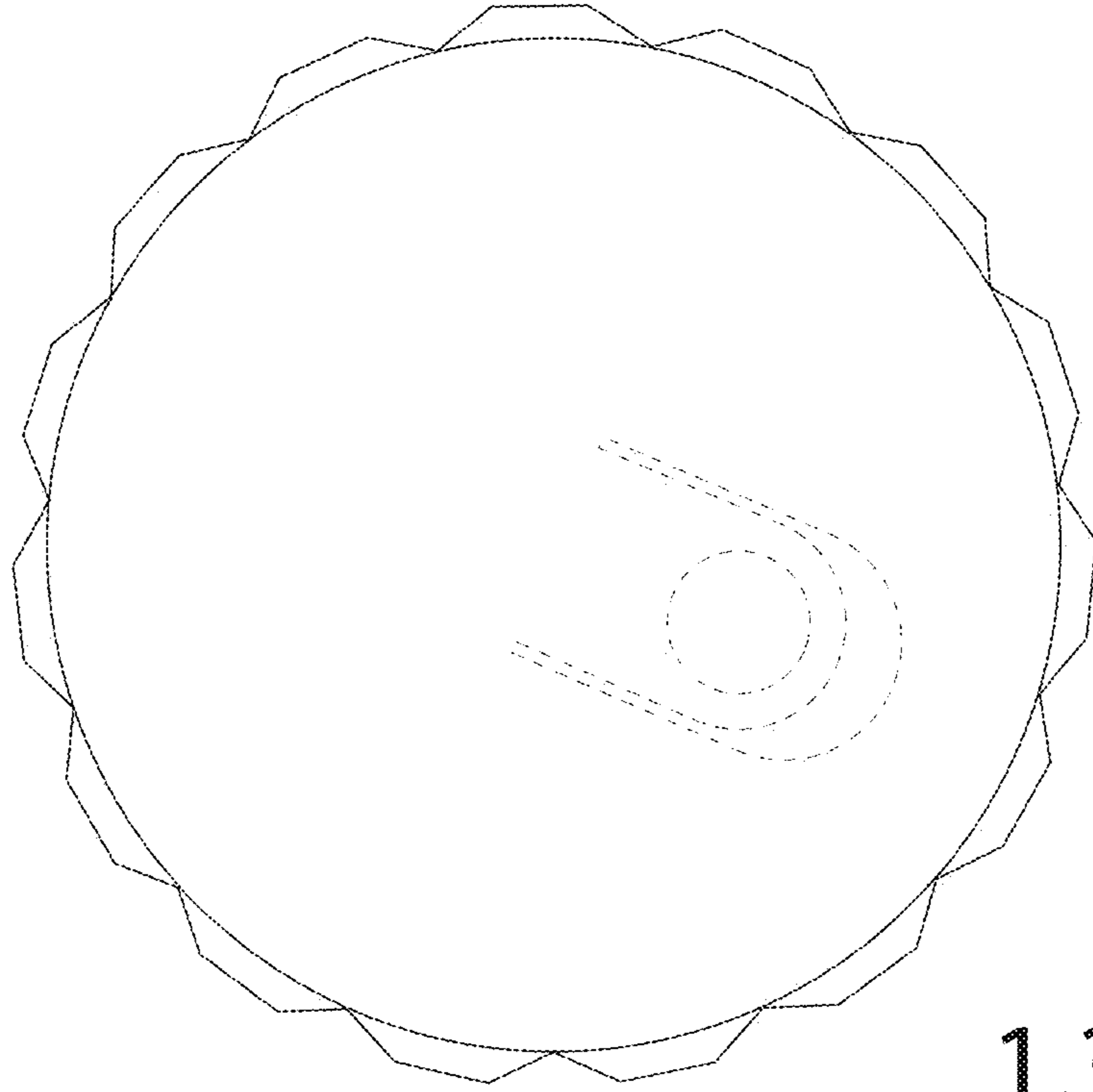




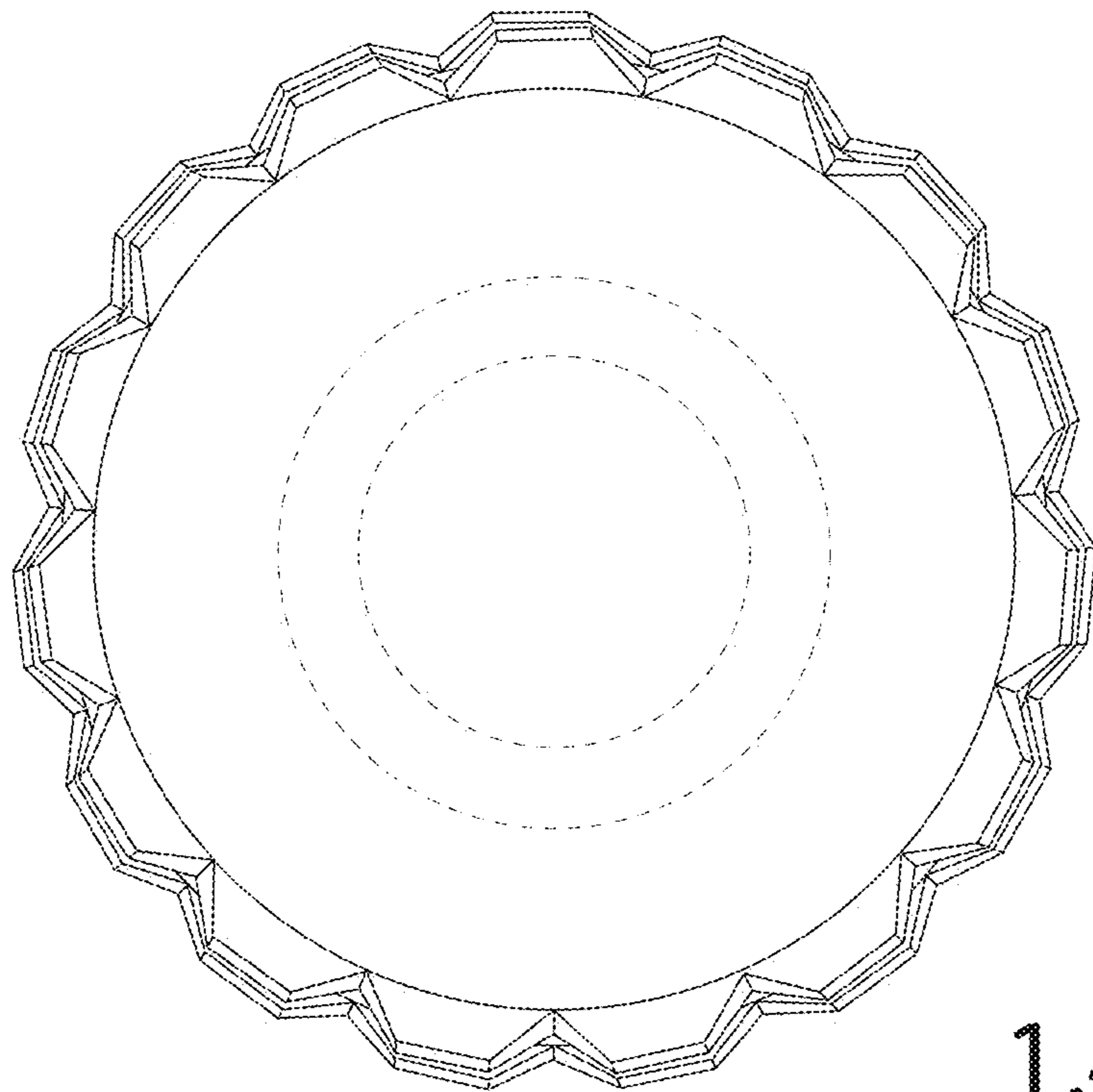
1.1



1.2



1.3



1.4