



US00D878213S

(12) **United States Design Patent** (10) **Patent No.:** **US D878,213 S**
Arena (45) **Date of Patent:** **** Mar. 17, 2020**

(54) **PERFUME BOTTLE**

(71) Applicant: **FLOR S.R.L.**, Florence (IT)
(72) Inventor: **Fiorenzo Arena**, Florence (IT)
(73) Assignee: **FLOR S.R.L.**, Florence (IT)
(**) Term: **15 Years**
(21) Appl. No.: **35/505,891**
(22) Filed: **Apr. 16, 2018**

(80) **Hague Agreement Data**

Int. Filing Date: **Apr. 16, 2018**
Int. Reg. No.: **DM/100708**
Int. Reg. Date: **Apr. 16, 2018**
Int. Reg. Pub. Date: **Oct. 19, 2018**

(30) **Foreign Application Priority Data**

Oct. 18, 2017 (IT) 402017000117770

(51) **LOC (12) Cl.** **09-01**

(52) **U.S. Cl.**
USPC **D9/545**

(58) **Field of Classification Search**

USPC D7/505; D9/516, 517, 520, 542-546,
D9/549-563, 643, 651, 682, 686, 691,
D9/737, 739, 747
CPC B65D 1/04; B65D 25/04; B65D 81/3288;
B65D 21/0204; B65D 81/3283; B65D
35/22; B65D 1/30; B65D 21/0201; B65D
41/26; B65D 71/48; B65D 83/68; B65D
11/00; B65D 1/06; B65D 21/0209; B65D
47/06; B65D 47/265; B65D 5/5495;
B65D 81/025; B65D 81/32; B65D
81/3216

See application file for complete search history.

(56) **References Cited**

U.S. PATENT DOCUMENTS

1,659,383 A * 2/1928 Schott B01L 3/08
422/556
D277,455 S * 2/1985 Tordjman D9/439
D304,298 S * 10/1989 Bannister D9/546
D318,422 S * 7/1991 Rumney D9/559
D340,646 S * 10/1993 Jeanjean D9/545
D356,952 S * 4/1995 Daucourt D9/545
D369,555 S * 5/1996 Heinz D9/545
D605,948 S * 12/2009 Sposato D9/546
D698,259 S * 1/2014 Ngjelo D9/546
D734,894 S * 7/2015 Schlatter D28/76

* cited by examiner

Primary Examiner — Jennifer L Watkins

(74) *Attorney, Agent, or Firm* — Lucas & Mercanti, LLP

(57) **CLAIM**

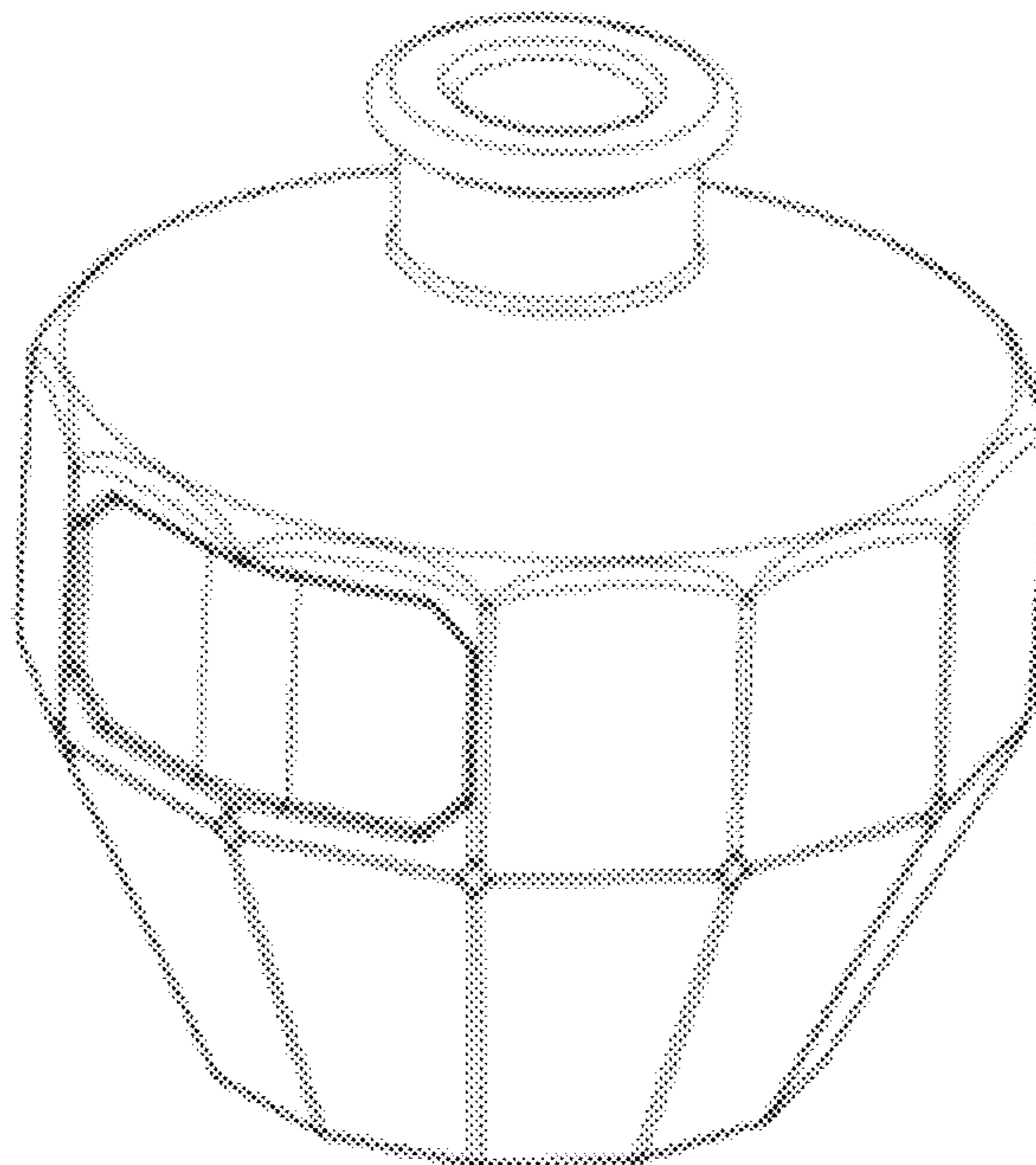
The ornamental design for a perfume bottle, as shown and described.

DESCRIPTION

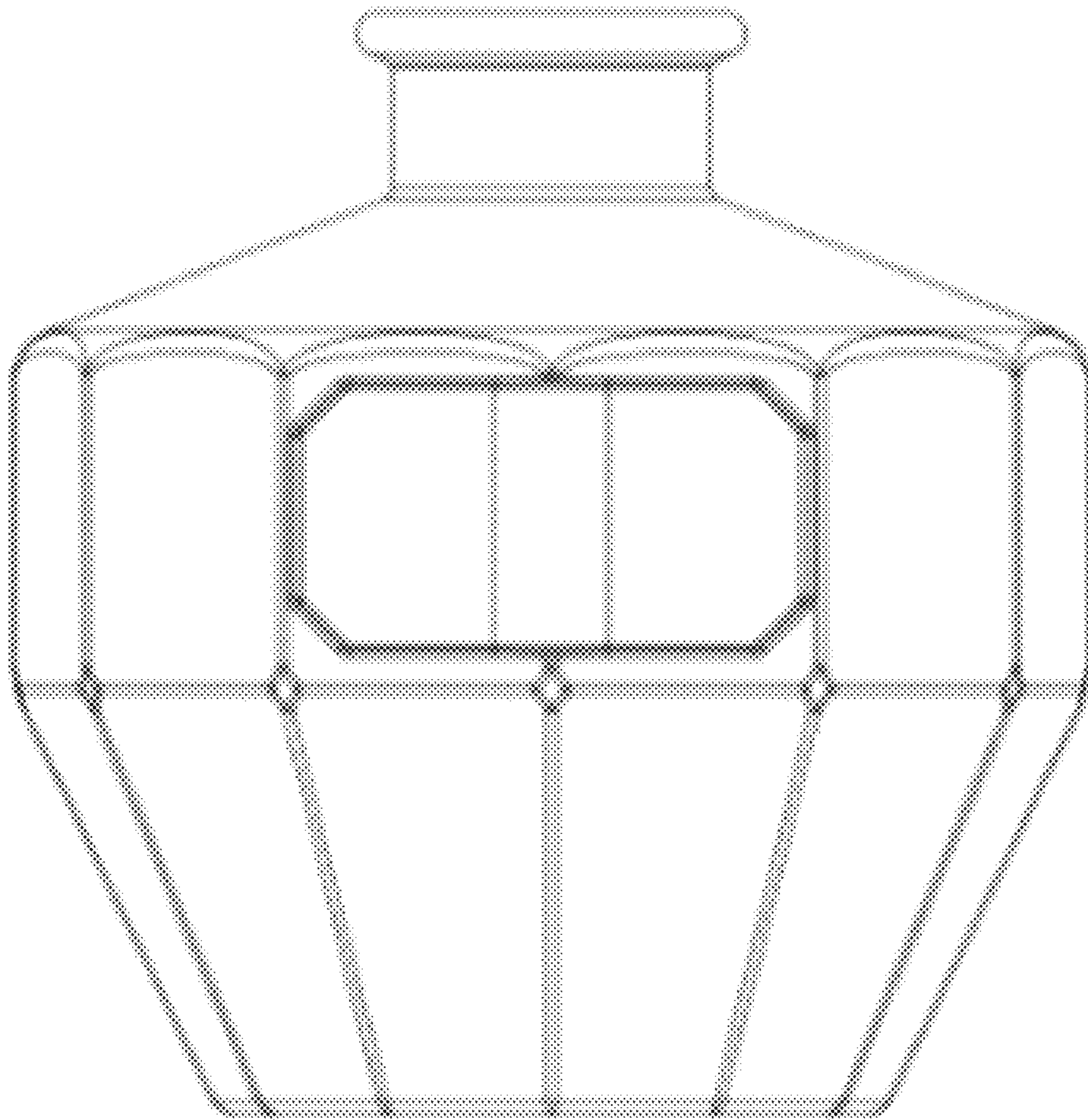
- 1. Perfume bottle
- 1.1 : Front
- 1.2 : Back
- 1.3 : Right
- 1.4 : Top
- 1.5 : Bottom
- 1.6 : Perspective
- 1.7 : Left

The broken lines depict portions of the perfume bottle that form no part of the claimed design.

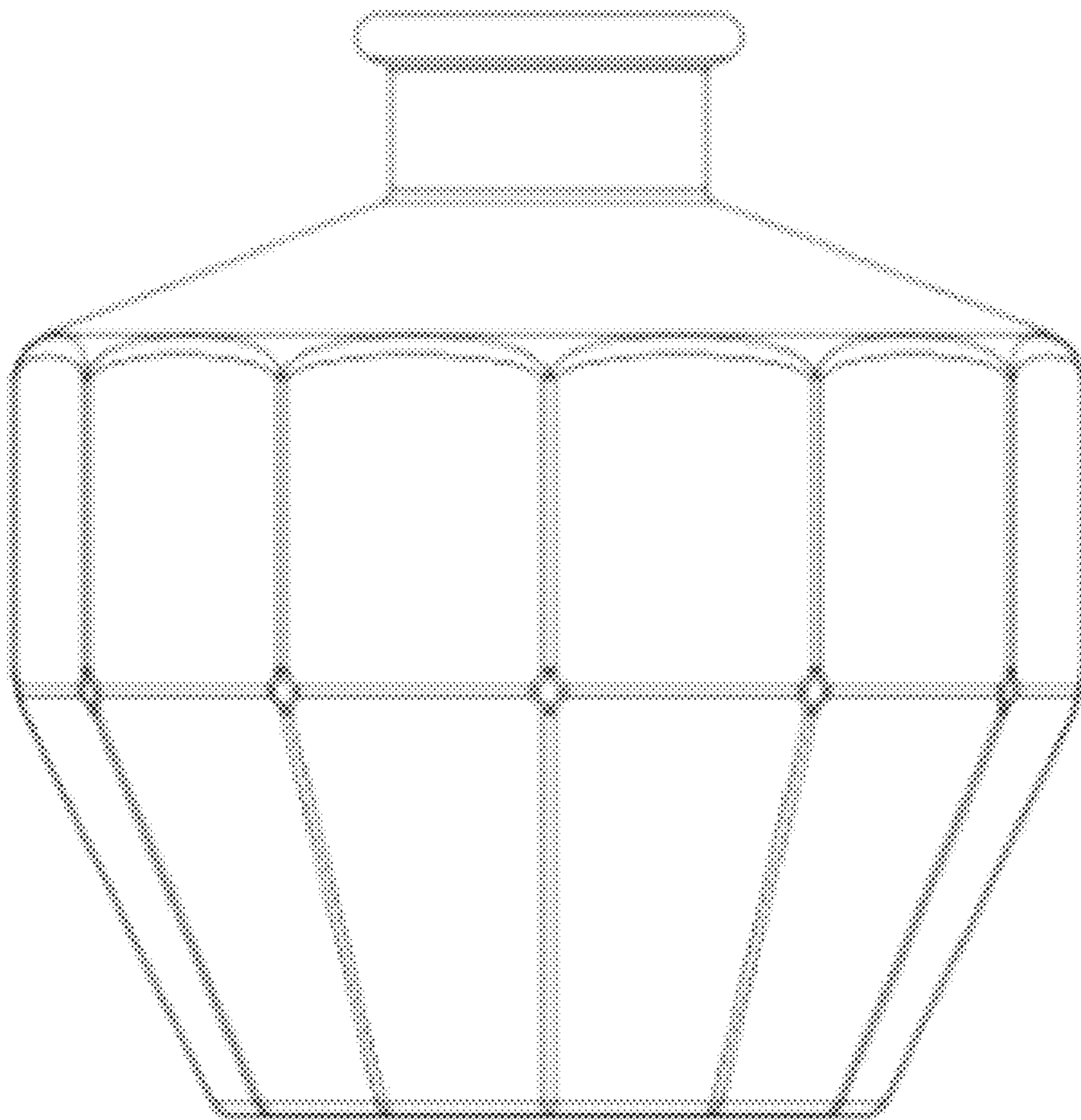
1 Claim, 7 Drawing Sheets



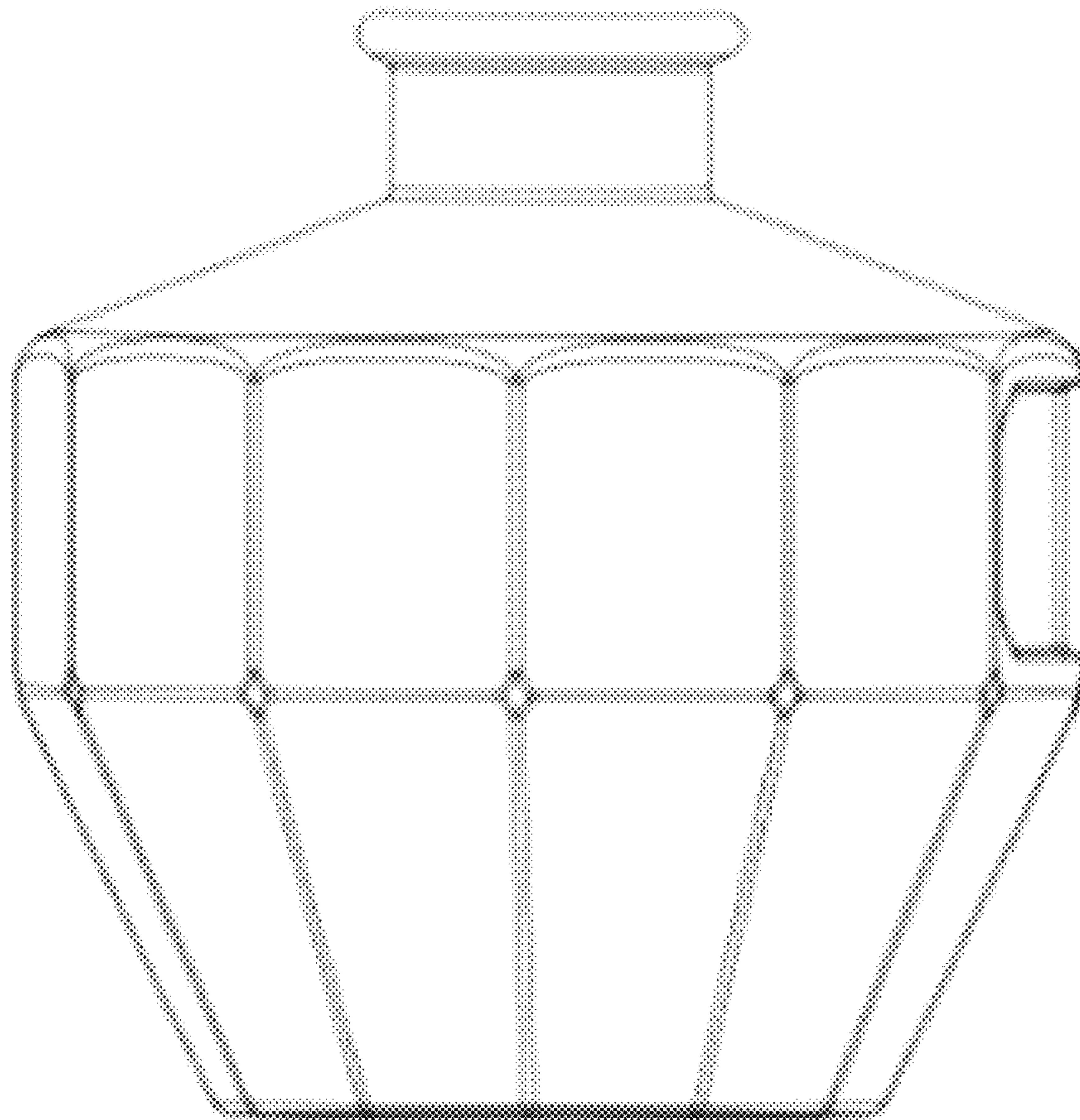
1.1



1.2



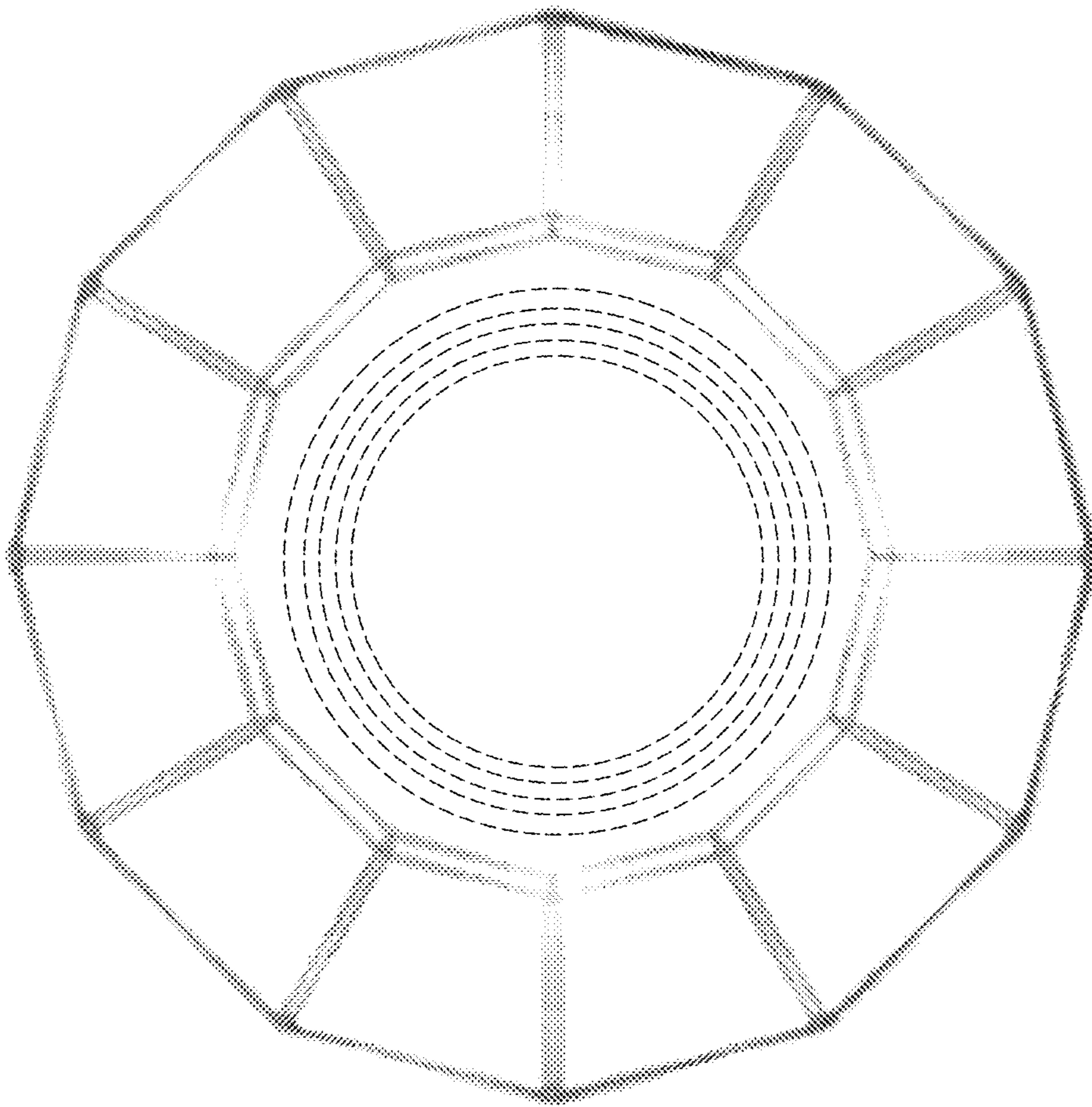
1.3



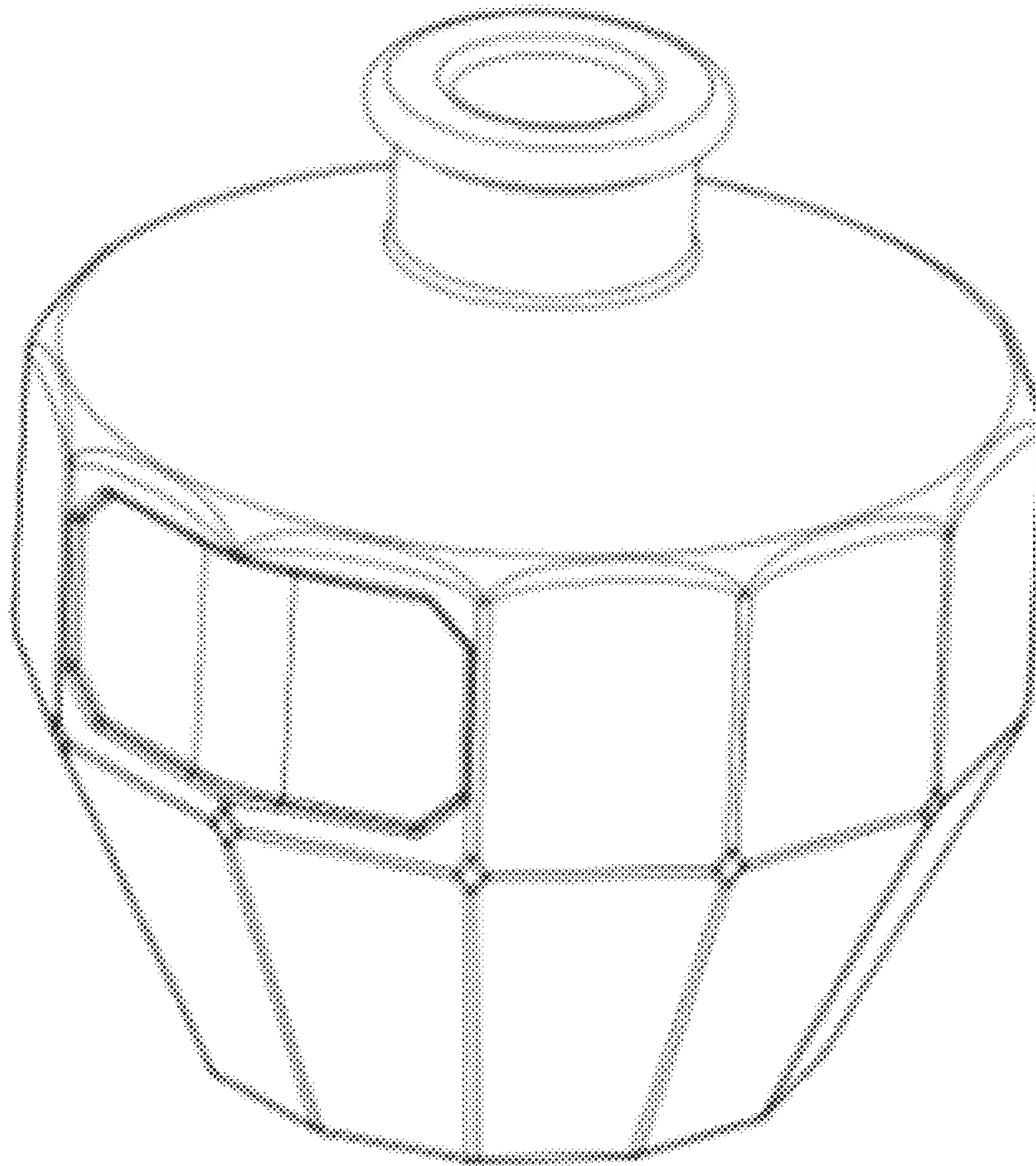
1.4



1.5



1.6



1.7

