



US00D878212S

(12) **United States Design Patent** (10) **Patent No.:** **US D878,212 S**
Wilkerson (45) **Date of Patent:** **** Mar. 17, 2020**

(54) **CERAMIC BOTTLE**
(71) Applicant: **Diana Wilkerson**, Mira Loma, CA (US)
(72) Inventor: **Diana Wilkerson**, Mira Loma, CA (US)
(**) Term: **15 Years**
(21) Appl. No.: **29/620,695**
(22) Filed: **May 1, 2017**
(51) **LOC (12) Cl.** **09-01**
(52) **U.S. Cl.**
USPC **D9/533**
(58) **Field of Classification Search**
USPC D7/319, 538-542, 602, 608, 629;
D9/414, 420, 424-426, 429, 432, 533,
D9/761; 206/501-509; 220/781, 791,
220/793, 811-813, 835, 839; D11/148;
D99/5
CPC B65D 1/24; B65D 25/04; B65D 43/03;
B65D 43/16; B65D 43/0212
See application file for complete search history.

D480,860 S * 10/2003 Robinson D99/5
D513,932 S * 1/2006 De Oliveira D7/510
D581,281 S * 11/2008 Westphal D9/533
D626,246 S 10/2010 Rees et al.
D679,948 S * 4/2013 Meyer D24/197

OTHER PUBLICATIONS

Antique Roman amphora with two handles; pinteraset.com/pin/308426274460674285/.
Witchcraft Artisan Alchemy; pinteraset.com/pin/458733912016103114/.
Homemade ceramic bottles; homebrewtalk.com.
Moche Decorated Ceramics; metmuseum.org.
Art pottery.ramset.com.

* cited by examiner

Primary Examiner — Brandon M Rosati
Assistant Examiner — Janice Patyk

(57) **CLAIM**

The ornamental design for a ceramic bottle, as shown and described.

DESCRIPTION

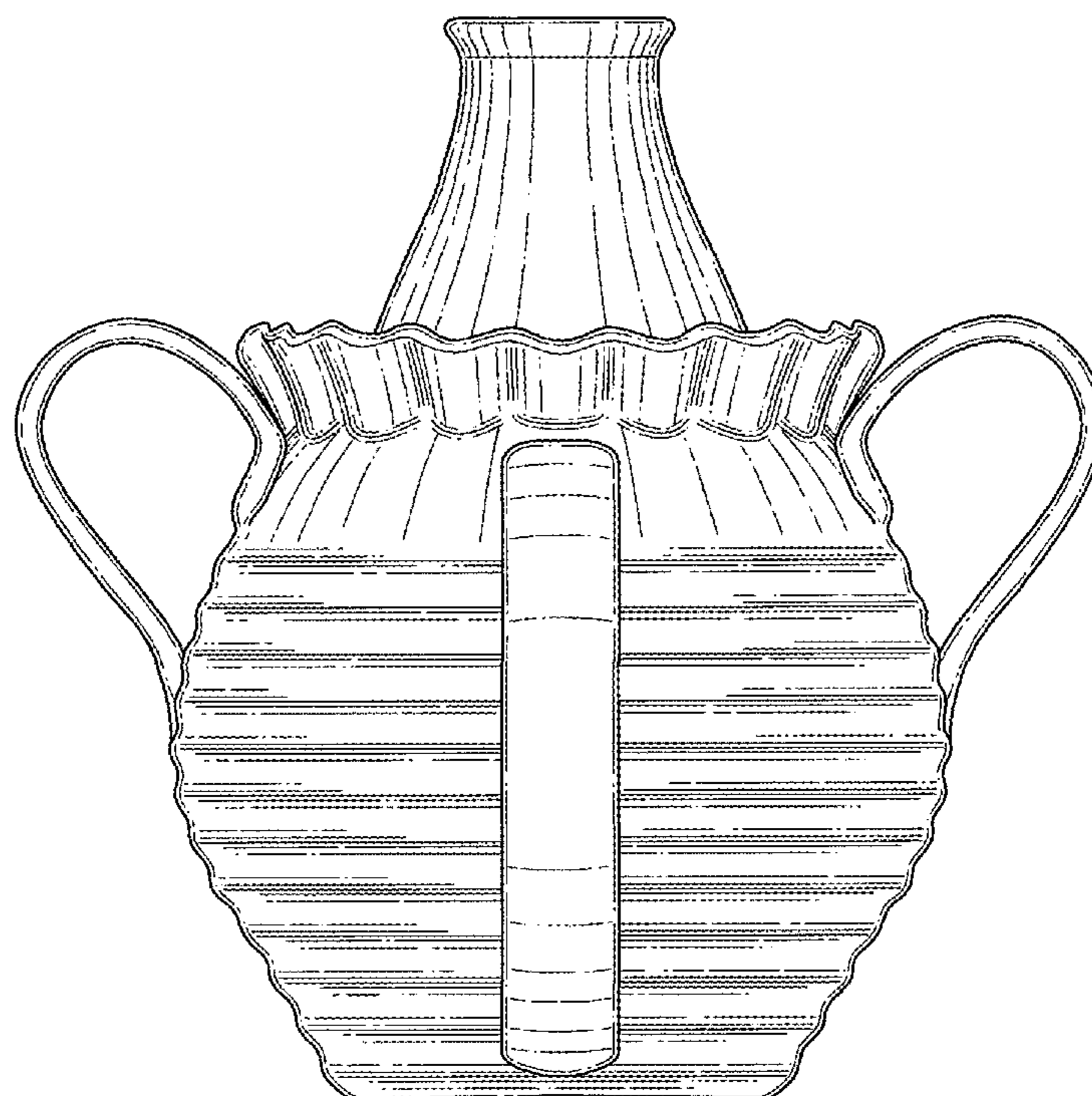
FIG. 1 is a front elevational view of a ceramic bottle, the rear elevational view being identical thereof, showing my new design;
FIG. 2 is a left side elevational view thereof, the right side view being identical thereof;
FIG. 3 is a top plan view thereof; and,
FIG. 4 is a bottom plan view thereof.
The broken lines in the figures illustrate the portions of the design that form no part of the claimed design.

1 Claim, 4 Drawing Sheets

(56) **References Cited**

U.S. PATENT DOCUMENTS

D41,855 S * 10/1911 Sutherland D9/533
D90,963 S * 10/1933 Vanderbilt D9/533
D156,671 S * 12/1949 Russell D7/302
D200,123 S * 1/1965 Lorenzen D9/533
D434,329 S * 11/2000 Vultaggio D9/533
D440,376 S 4/2001 Robinson
D457,438 S * 5/2002 Cooper D9/533



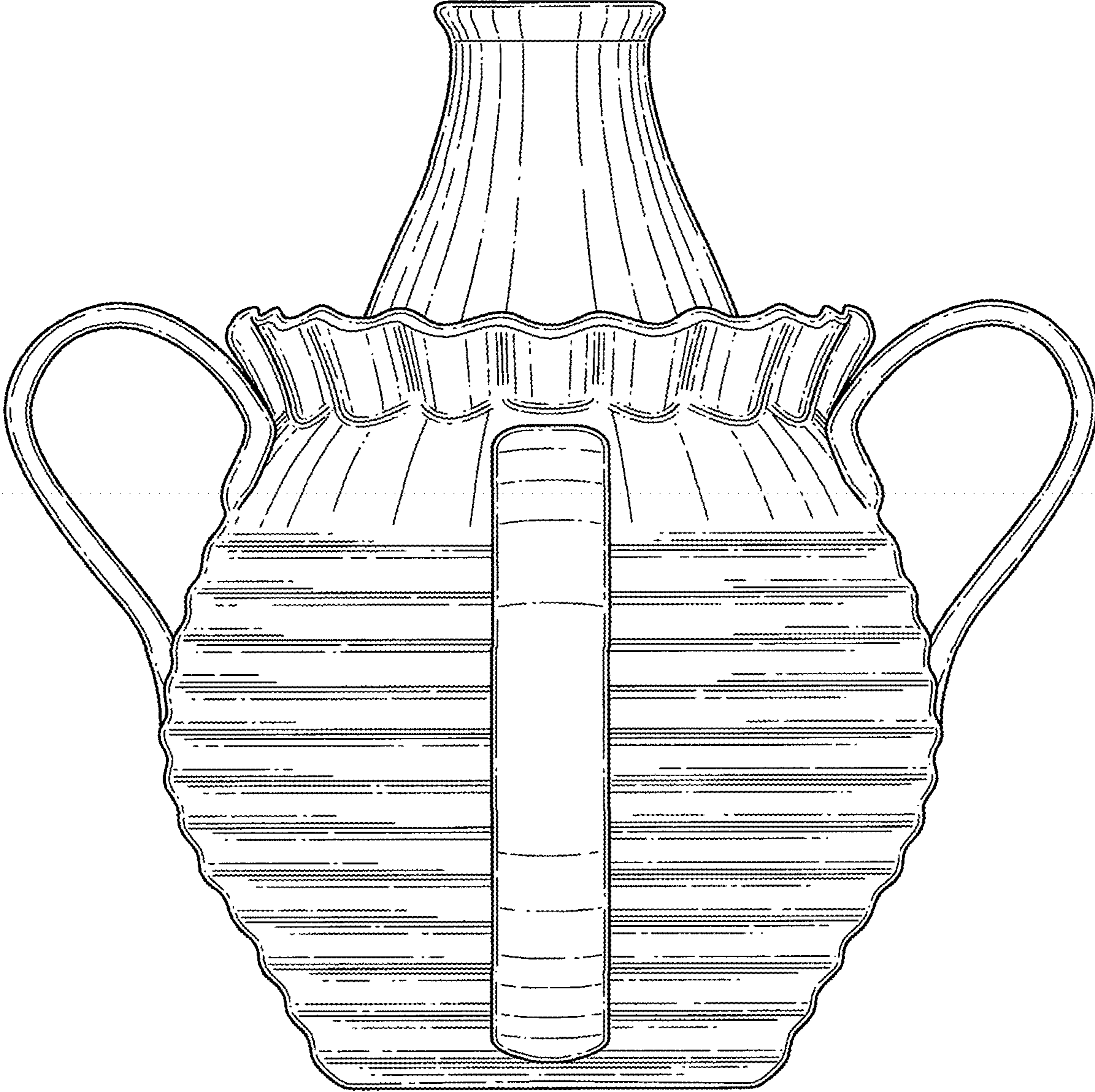


FIG. 1

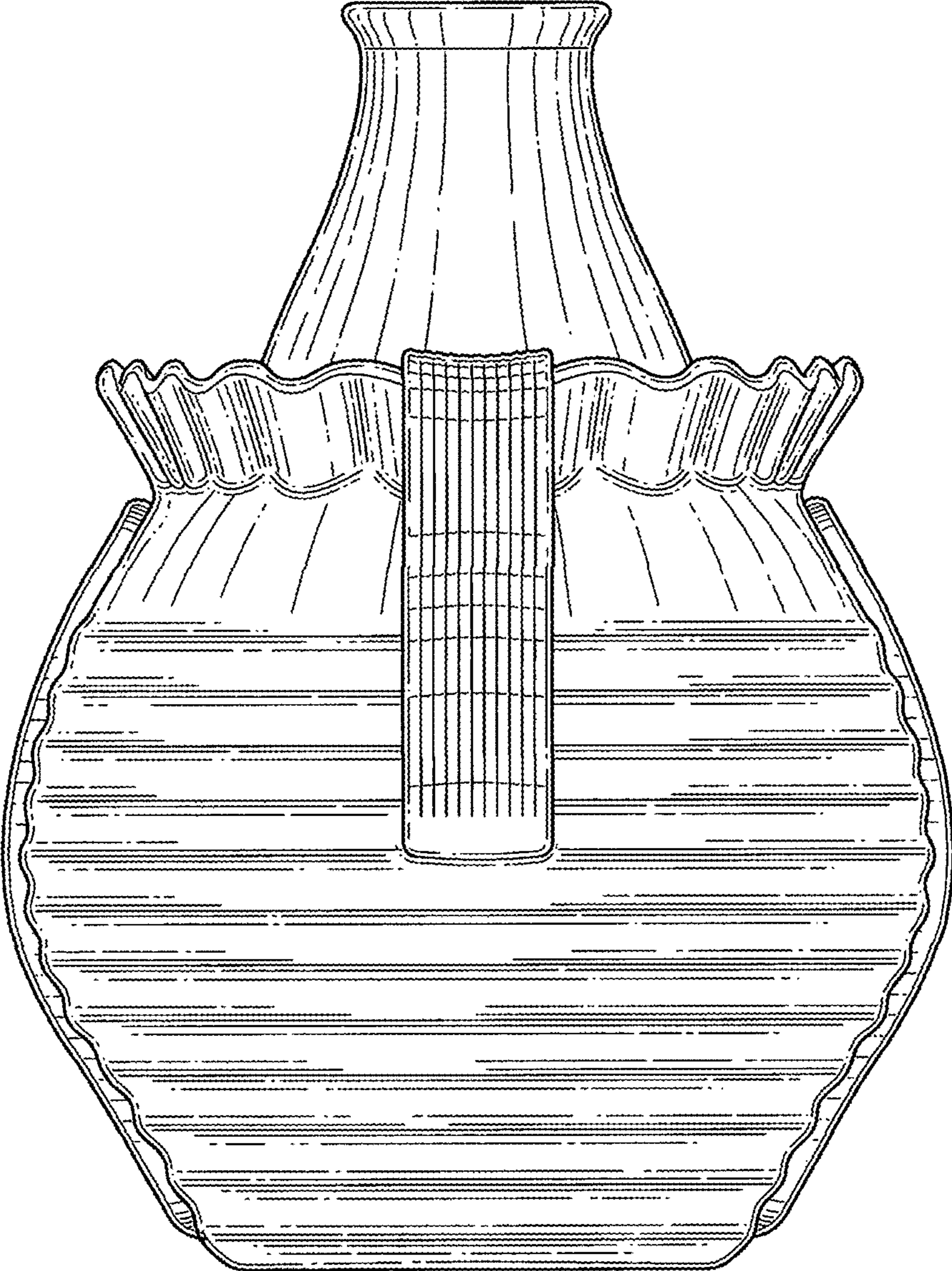


FIG. 2

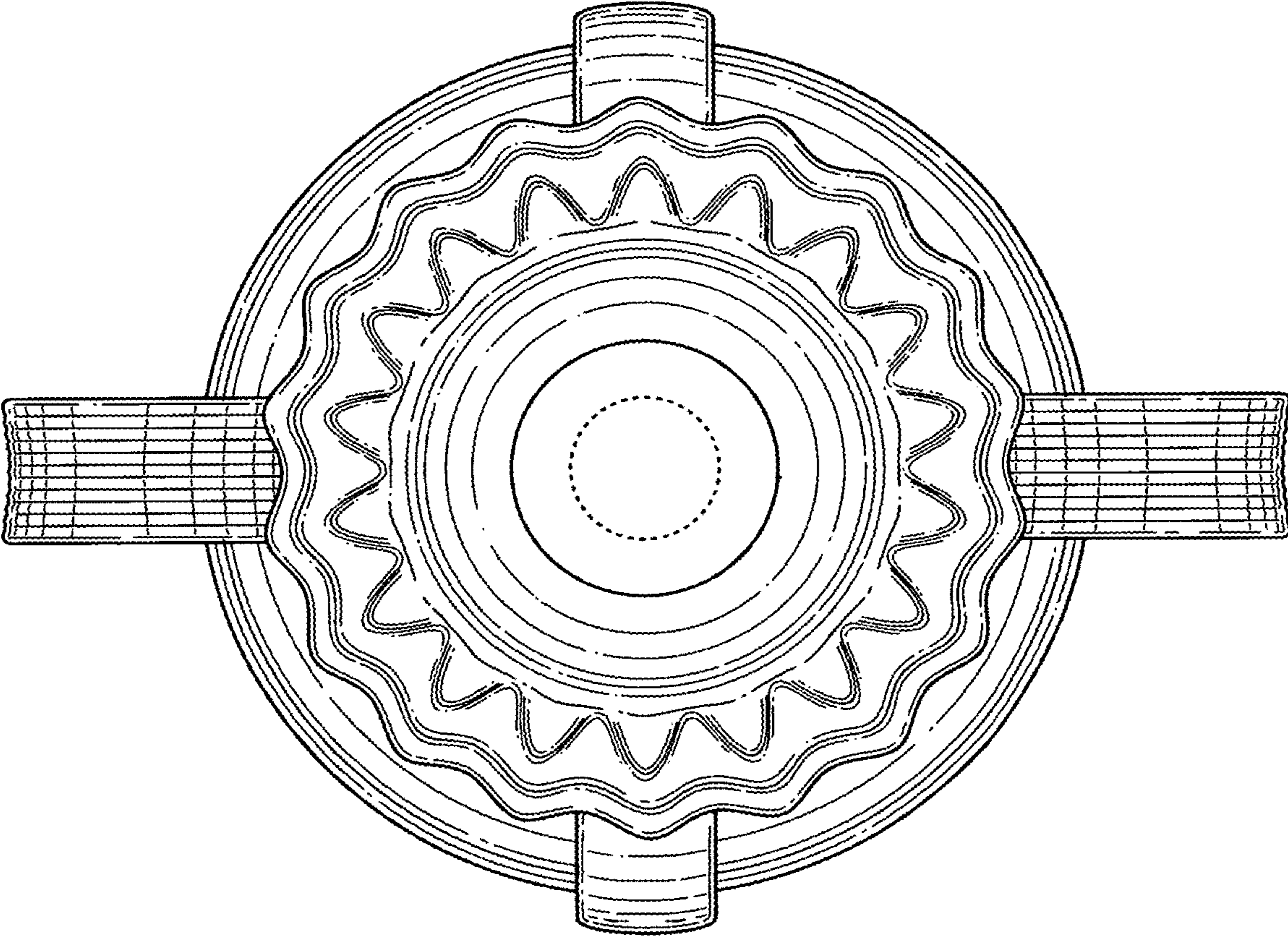


FIG. 3

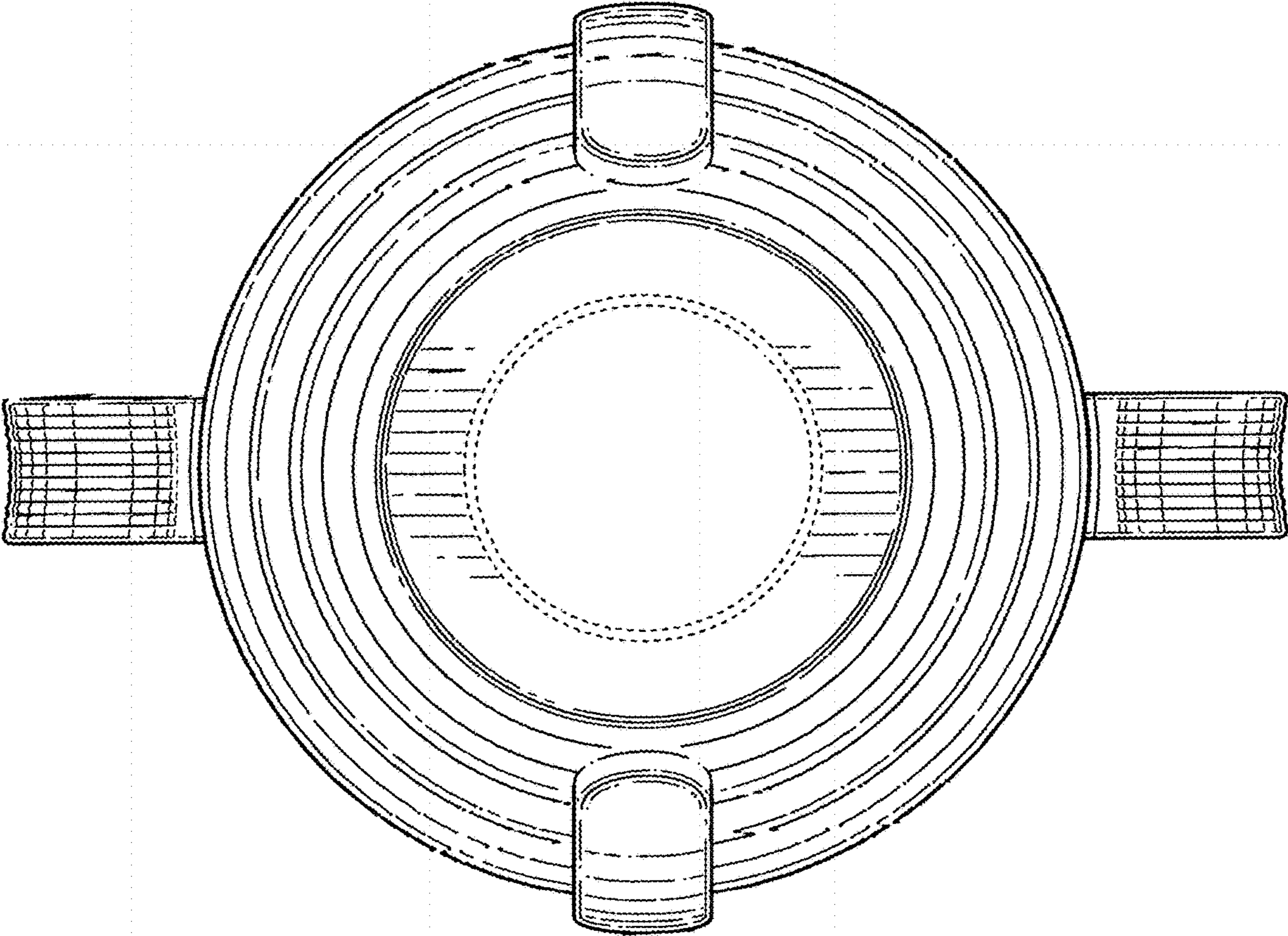


FIG. 4