



US00D878205S

(12) **United States Design Patent** (10) **Patent No.:** **US D878,205 S**
Vellutato, Sr. (45) **Date of Patent:** **** Mar. 17, 2020**

- (54) **MIXING AND DISPENSING CONTAINER**
- (71) Applicants: **Veltek Associates, Inc.**, Malvern, PA (US); **Arthur L. Vellutato, Jr.**, Malvern, PA (US)
- (72) Inventor: **Arthur L. Vellutato, Sr.**, Malvern, PA (US)
- (73) Assignee: **Veltek Associates, Inc.**, Malvern, PA (US)

- (**) Term: **15 Years**
- (21) Appl. No.: **29/590,051**
- (22) Filed: **Jan. 6, 2017**

Related U.S. Application Data

- (63) Continuation of application No. 10/754,629, filed on Jan. 12, 2004.
- (51) **LOC (12) Cl.** **09-07**
- (52) **U.S. Cl.**
USPC **D9/447; D9/523**
- (58) **Field of Classification Search**
USPC D9/414, 415, 424, 425, 434, 435, 436, D9/443, 444-452, 454-456, 499, 529, D9/682, 685, 686, 503, 505, 523, 733, D9/719; D7/387, 391, 392, 392.1, 396.1, D7/396.2, 396.3, 396.4, 397, 398, 401.1, D7/507, 509-511, 538, 900; D3/202, D3/203.2; D28/91, 91.1
CPC .. A61J 1/00; A61J 1/1412; B65D 1/00; B65D 1/02; B65D 1/10; B65D 1/46; B65D 2585/56; B65D 2585/545; B65D 41/00; B65D 41/38; B65D 41/56; B65D 41/62; B65D 47/00; B65D 47/06; B65D 47/08; B65D 2543/00046; B65D 2543/00092; B65D 2543/00296; B65D 5/46; B65D 2251/00

See application file for complete search history.

- (56) **References Cited**
- U.S. PATENT DOCUMENTS
- 2,987,261 A * 6/1961 McCuiston B05B 11/043 239/304
- D199,545 S * 11/1964 Torongo D24/110
- D221,132 S * 7/1971 Schiavone D24/115
- 3,666,182 A * 5/1972 Cureton A61M 11/00 128/200.14
- D273,563 S * 4/1984 Jeans D9/414
- (Continued)

FOREIGN PATENT DOCUMENTS

- AU 2005202466 A1 1/2006
- CN 2074015 U 3/1991
- (Continued)

OTHER PUBLICATIONS

Search Report and Written Opinion for SG Application No. 10201605357, dated May 3, 2019, 11 pgs.

Primary Examiner — Michael A. Pratt
Assistant Examiner — Wendy L Arminio
 (74) *Attorney, Agent, or Firm* — Blank Rome LLP

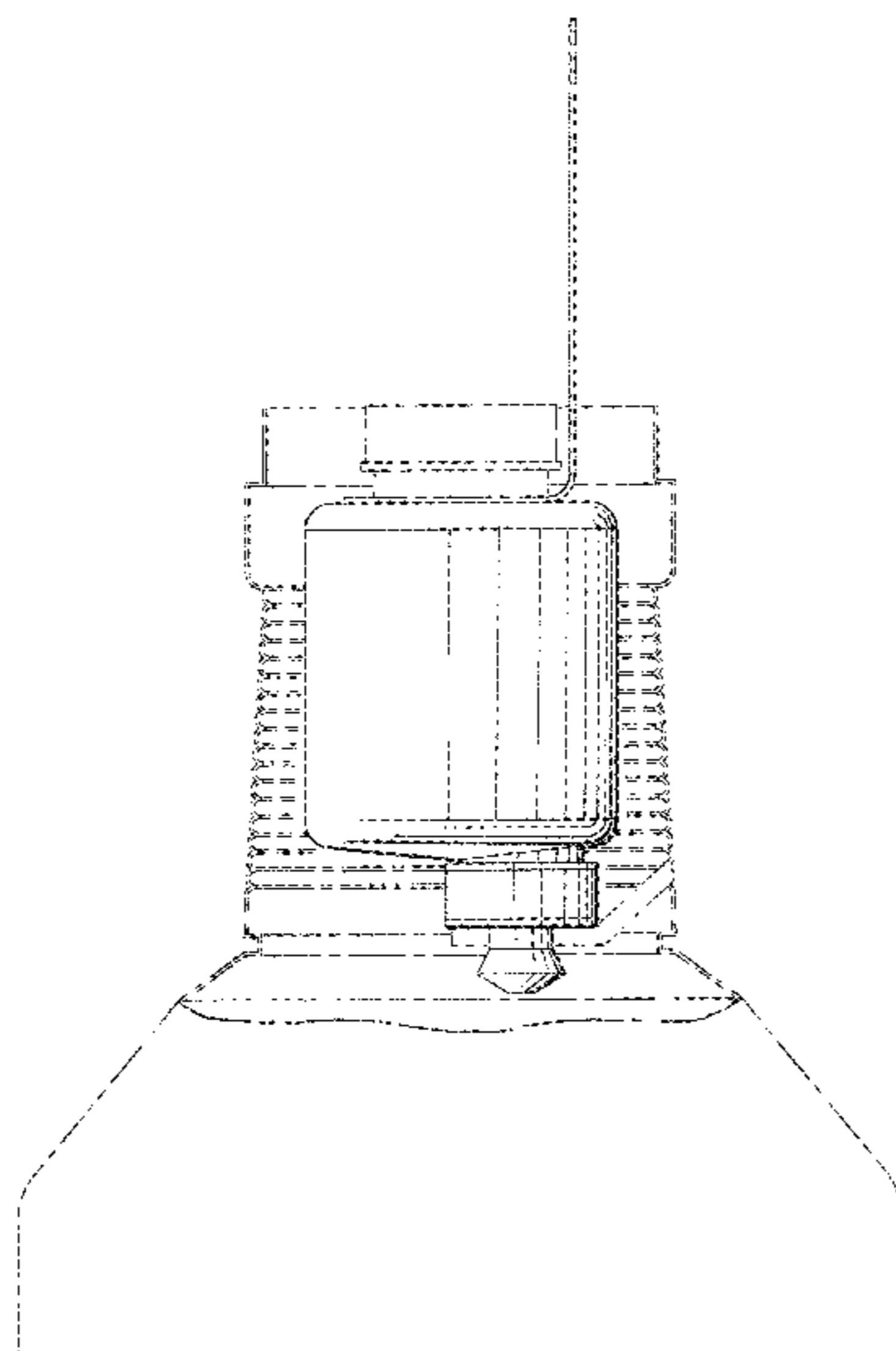
(57) **CLAIM**

The ornamental design for a mixing and dispensing container, as shown and described.

DESCRIPTION

FIG. 1 is a front view of a mixing and dispensing container, of our design;
 FIG. 2 is a rear view thereof;
 FIG. 3 is a top view thereof;
 FIG. 4 is a bottom view thereof; and,
 FIG. 5 is a side view thereof.
 The broken lines in the drawings depict portions of the mixing and dispensing container that form no part of the claimed design.

1 Claim, 5 Drawing Sheets



(56)

References Cited

U.S. PATENT DOCUMENTS

4,832,230	A	5/1989	Janowitz	
D329,174	S *	9/1992	Patterson D7/510
D347,792	S *	6/1994	D'Amico D9/523
D356,542	S *	3/1995	Finkiewicz D12/411
D358,964	S *	6/1995	Foster D12/411
5,520,517	A	5/1996	Sipin	
D376,536	S *	12/1996	Maxwell D24/115
D395,603	S *	6/1998	Harris D9/447
D478,511	S *	8/2003	Reynolds D7/510
D499,023	S *	11/2004	Amos D10/101
D603,710	S *	11/2009	Wilson D9/454
8,523,017	B2 *	9/2013	Vellutato, Jr. B05B 11/0081 222/145.5
D691,479	S *	10/2013	Bea D9/447
D790,922	S *	7/2017	Do D7/510
10,139,318	B2	11/2018	Calio et al.	
2003/0054561	A1	3/2003	Gelernt	
2012/0152040	A1	6/2012	Calio	

FOREIGN PATENT DOCUMENTS

CN	102066897	A	5/2011
CN	201983961	U	9/2011
CN	102859562	A	1/2013
EP	0999149	A1	5/2000
GB	2280657	B	2/1995
GB	2317870	A	4/1998
JP	09501212	A	2/1997

* cited by examiner

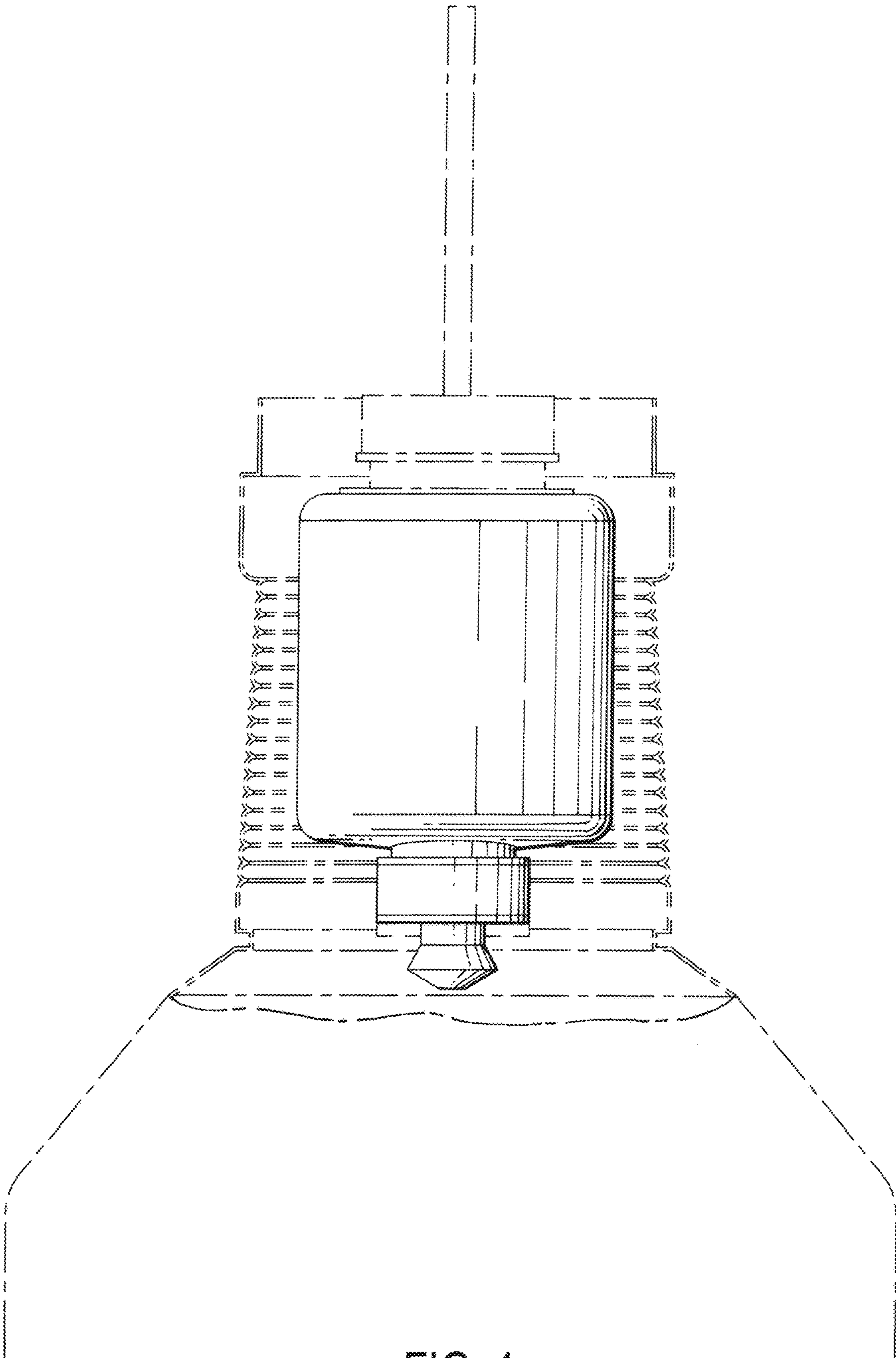


FIG. 1

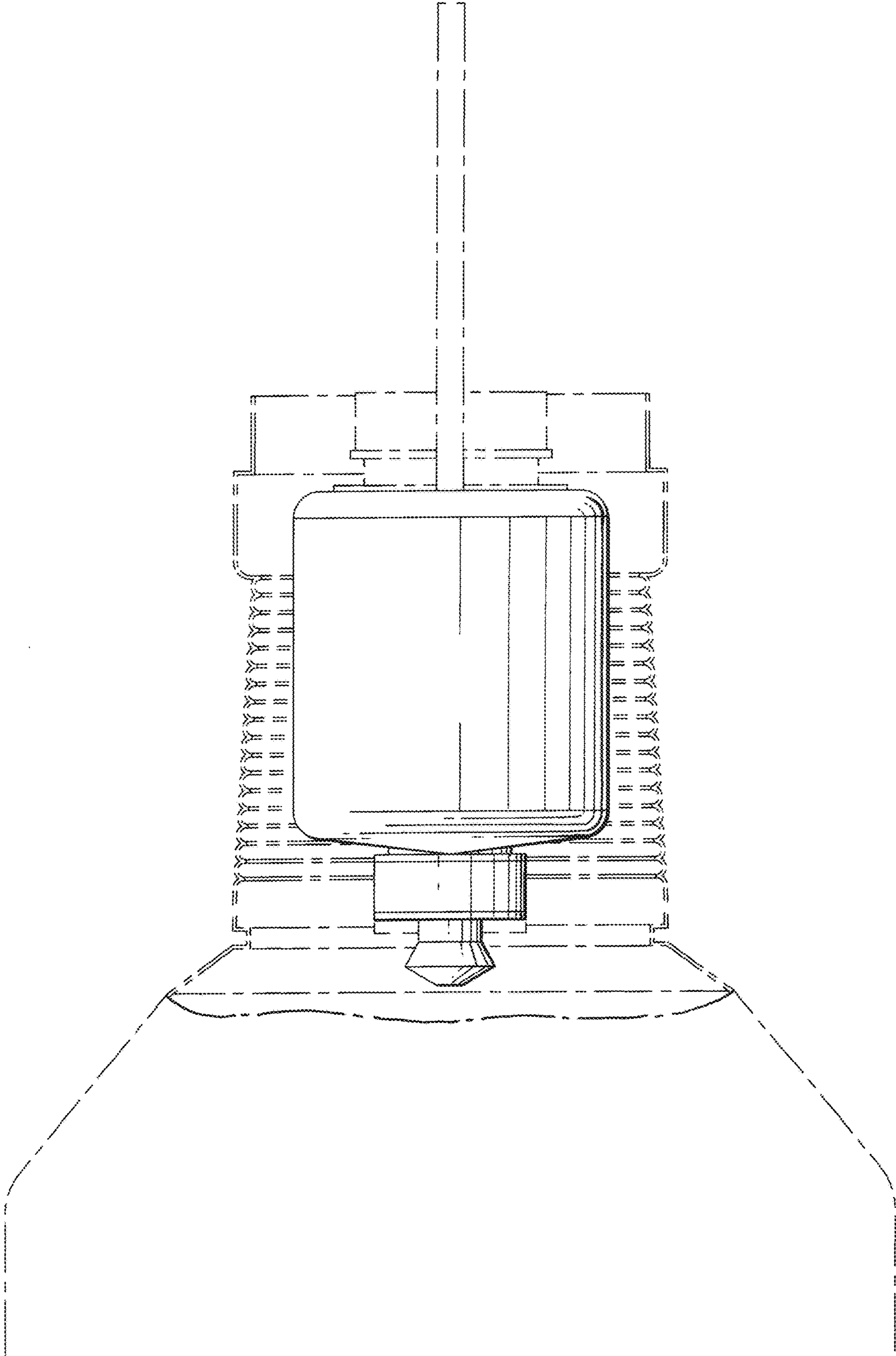


FIG. 2

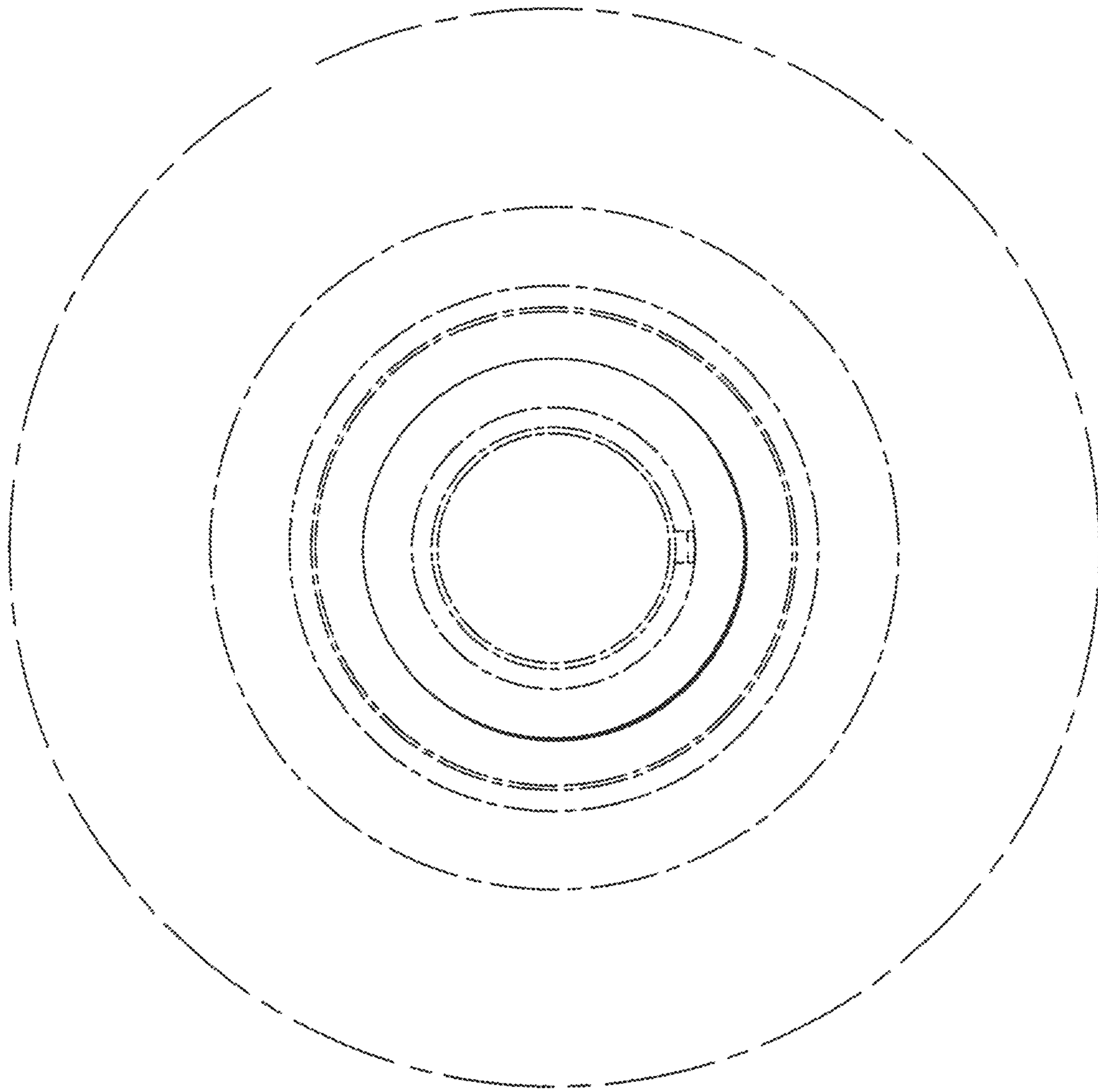


FIG. 3

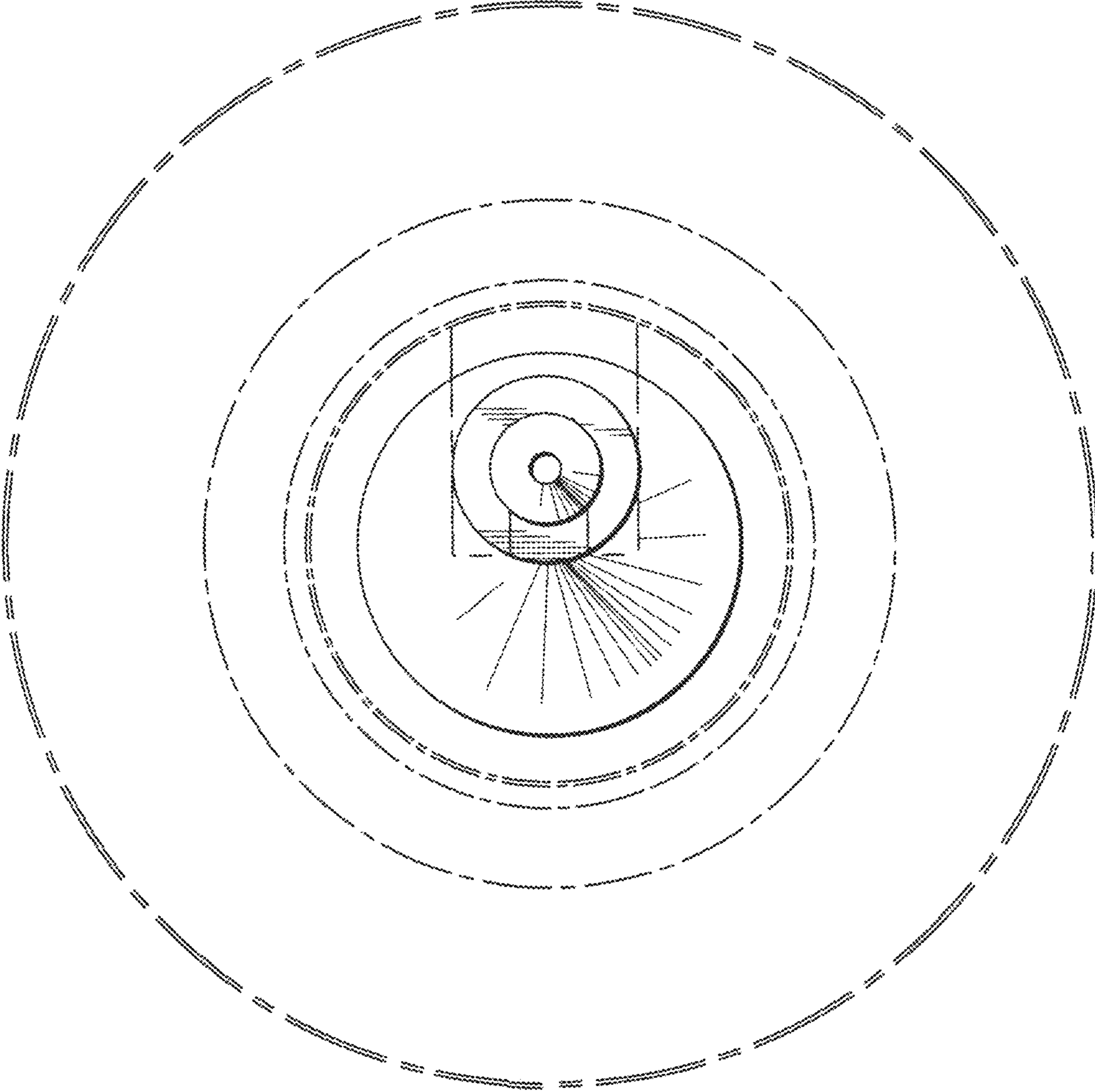


FIG. 4

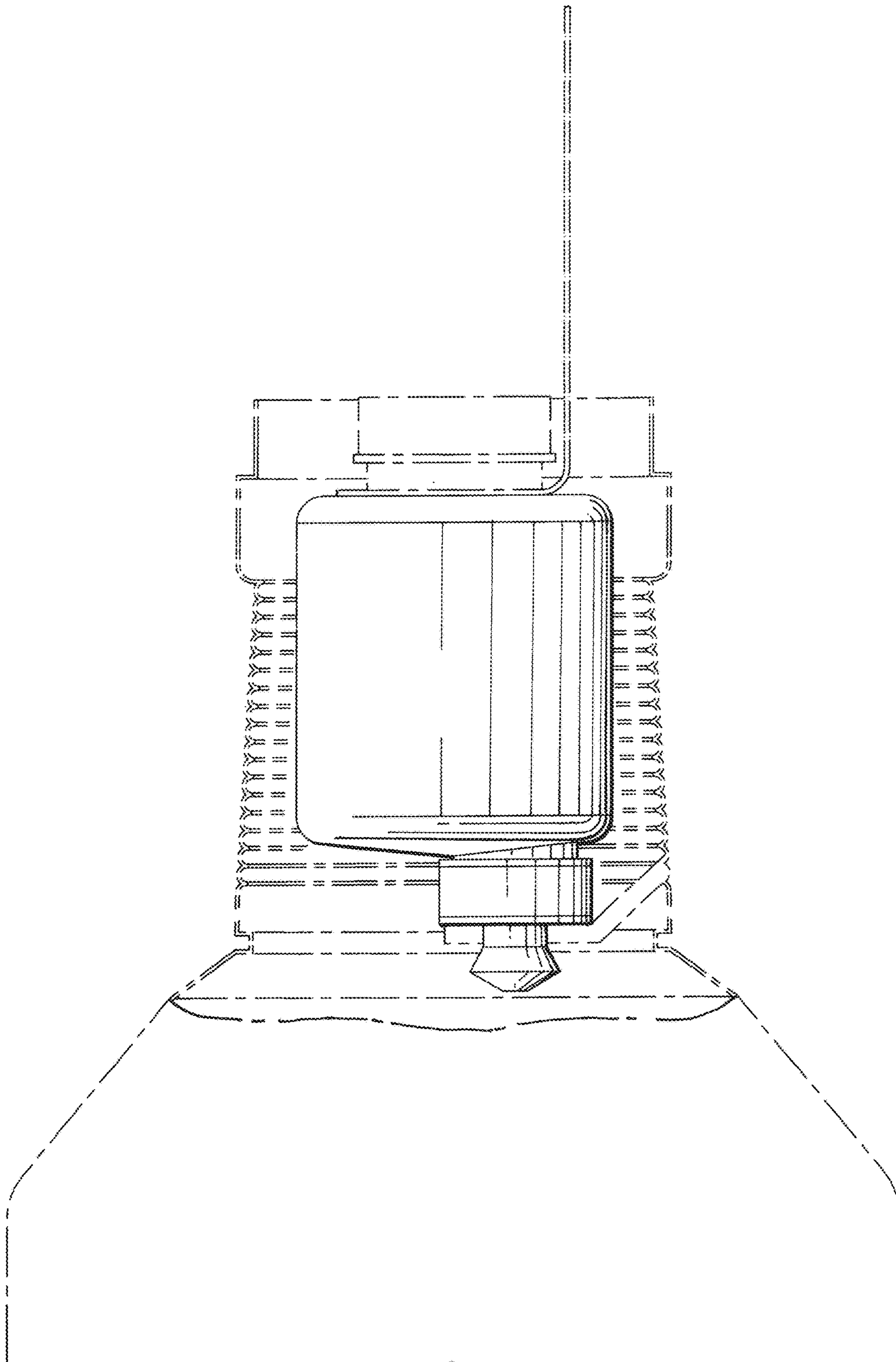


FIG. 5