



US00D878203S

(12) **United States Design Patent**
Luther

(10) **Patent No.:** **US D878,203 S**

(45) **Date of Patent:** **** Mar. 17, 2020**

(54) **BOTTLE CAP ORNAMENT**

(71) Applicant: **Stephen John Luther**, Terryville, CT
(US)

(72) Inventor: **Stephen John Luther**, Terryville, CT
(US)

(**) Term: **15 Years**

(21) Appl. No.: **29/611,575**

(22) Filed: **Jul. 23, 2017**

(51) **LOC (12) Cl.** **09-07**

(52) **U.S. Cl.**

USPC **D9/443; D9/445; D9/454**

(58) **Field of Classification Search**

USPC D9/434-436, 439, 441, 442-445,
D9/447-454, 600-681, 500-504, 517,
D9/519, 521, 529, 537-546, 548,
D9/549-575, 719, 723-729, 738-747;
D28/76, 77, 82, 91, 91.1; D7/511, 620,
D7/622, 623, 624.3, 393, 396; 215/203,
215/227, 228, 244, 245, 290, 305, 319
CPC B65D 51/02; B65D 51/12; B65D 51/242;
B65D 51/245; B65D 51/249; B65D
81/366; B65D 2251/06; B65D 41/00;
B65D 41/02; B65D 41/026; B65D 41/16;
B65D 41/18; B65D 41/22

See application file for complete search history.

(56) **References Cited**

U.S. PATENT DOCUMENTS

D33,126 S * 8/1900 Gurnee D24/110
824,210 A * 6/1906 Sauer B65D 41/16
215/321
D166,497 S * 4/1952 Roehrich D9/724
D229,153 S * 11/1973 Mousette D7/622
D256,826 S * 9/1980 Phillips D21/808
D307,223 S * 4/1990 Rossari D7/679
D344,763 S * 3/1994 Vitantonio D20/28

D361,923 S * 9/1995 Smith D7/511
D367,702 S * 3/1996 Martin D23/260
D396,639 S * 8/1998 Pedersen-Rask D9/454
D424,937 S * 5/2000 Tucker D9/435
D448,524 S * 9/2001 Colla D28/77
D500,952 S * 1/2005 Moore D9/504
D529,549 S * 10/2006 Lapierre D19/162

(Continued)

FOREIGN PATENT DOCUMENTS

CH 533554 A * 2/1973 B65D 51/242
DE 4012031 A1 * 10/1991 B65D 33/00

(Continued)

Primary Examiner — Catherine A Tuttle

(57) **CLAIM**

The ornamental design for a bottle cap ornament, as shown and described.

DESCRIPTION

The patent or application file contains at least one drawing executed in color. Copies of this patent or patent application publication with color drawing(s) will be provided by the Office upon request and payment of the necessary fee.

FIG. 1 is a front view showing my new design for a bottle cap ornament, shown in association with a bottle in broken lines;

FIG. 2 is a left side elevation view thereof;

FIG. 3 is a right side elevation view thereof;

FIG. 4 is a rear elevation view thereof;

FIG. 5 is a top plan view thereof;

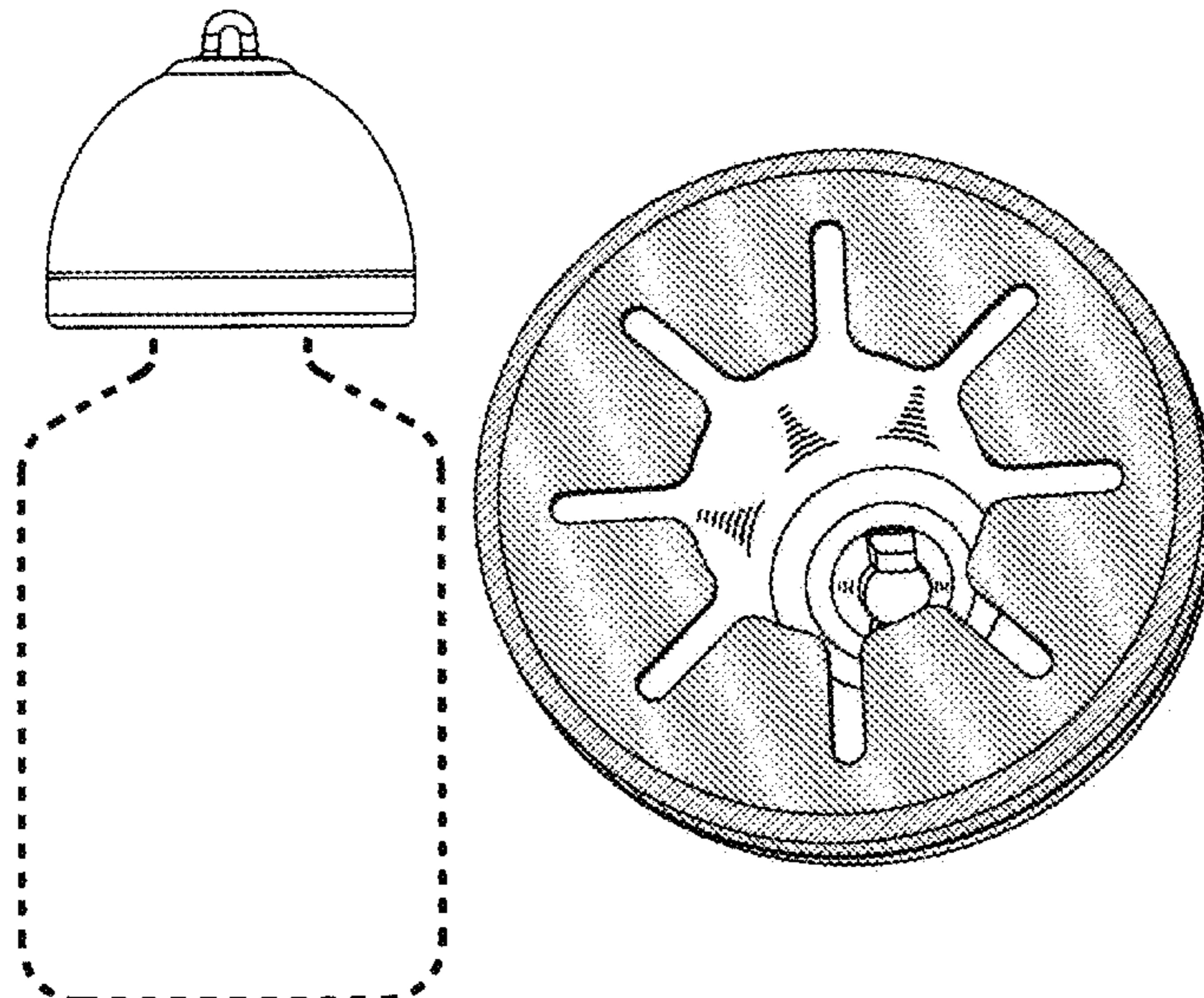
FIG. 6 is a bottom plan view thereof;

FIG. 7 is a top isometric view thereof; and,

FIG. 8 is a bottom axonometric view thereof.

The broken line depiction of the bottle in FIG. 1 is for illustrative purposes only and forms no part of the claimed design.

1 Claim, 8 Drawing Sheets
(1 of 8 Drawing Sheet(s) Filed in Color)



(56)

References Cited

U.S. PATENT DOCUMENTS

D532,296 S * 11/2006 Beaver D9/445
D533,062 S * 12/2006 Beaver D9/445
D615,818 S * 5/2010 Jansen D7/510
D650,245 S * 12/2011 Abrams D7/628
D682,044 S * 5/2013 Berman D7/624.2
D834,416 S * 11/2018 Luther D9/451
D834,417 S * 11/2018 Luther D9/451
2005/0035080 A1 * 2/2005 Romero B67B 7/18
215/228
2009/0272769 A1 * 11/2009 Contreras B65D 1/08
222/420

FOREIGN PATENT DOCUMENTS

FR 594758 A * 9/1925 B65D 51/245
WO WO-2019118587 A1 * 6/2019 A45F 3/16

* cited by examiner

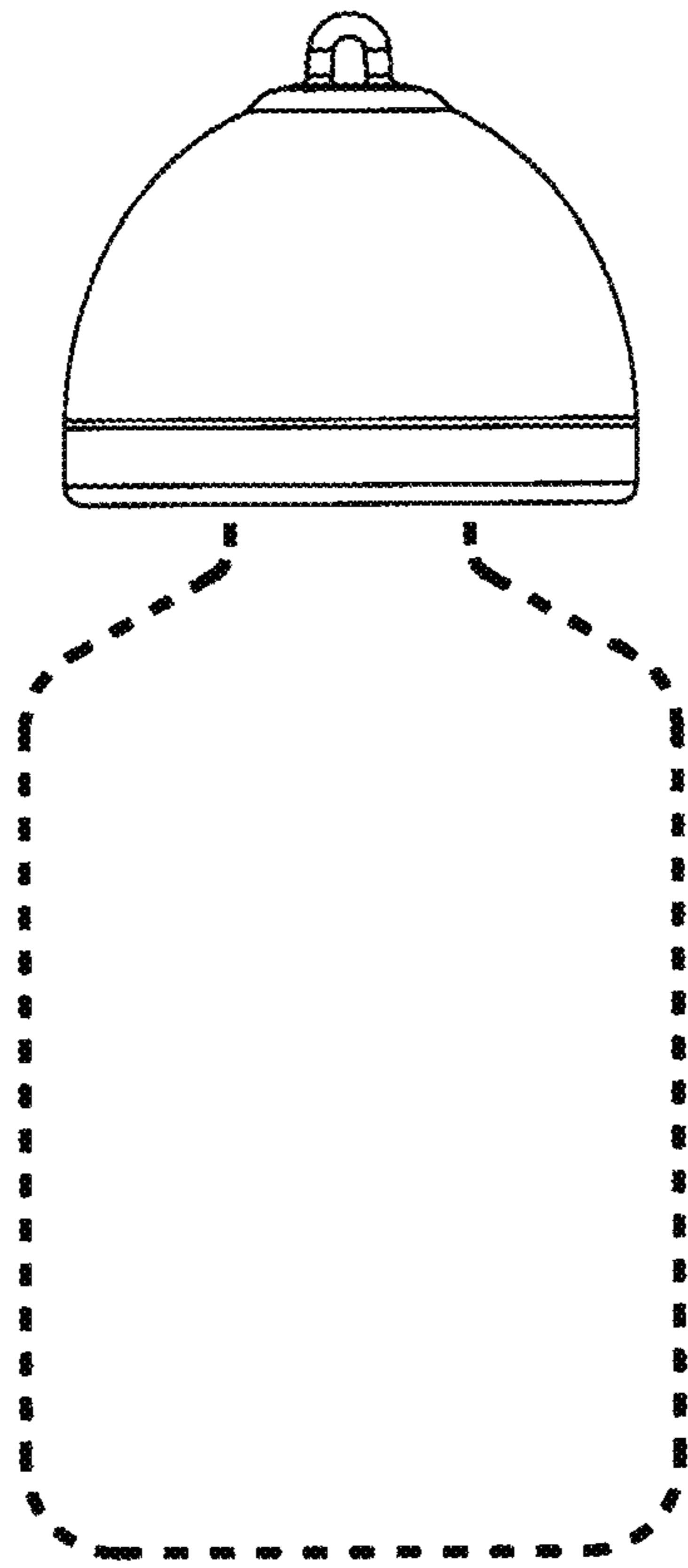


FIG. 1

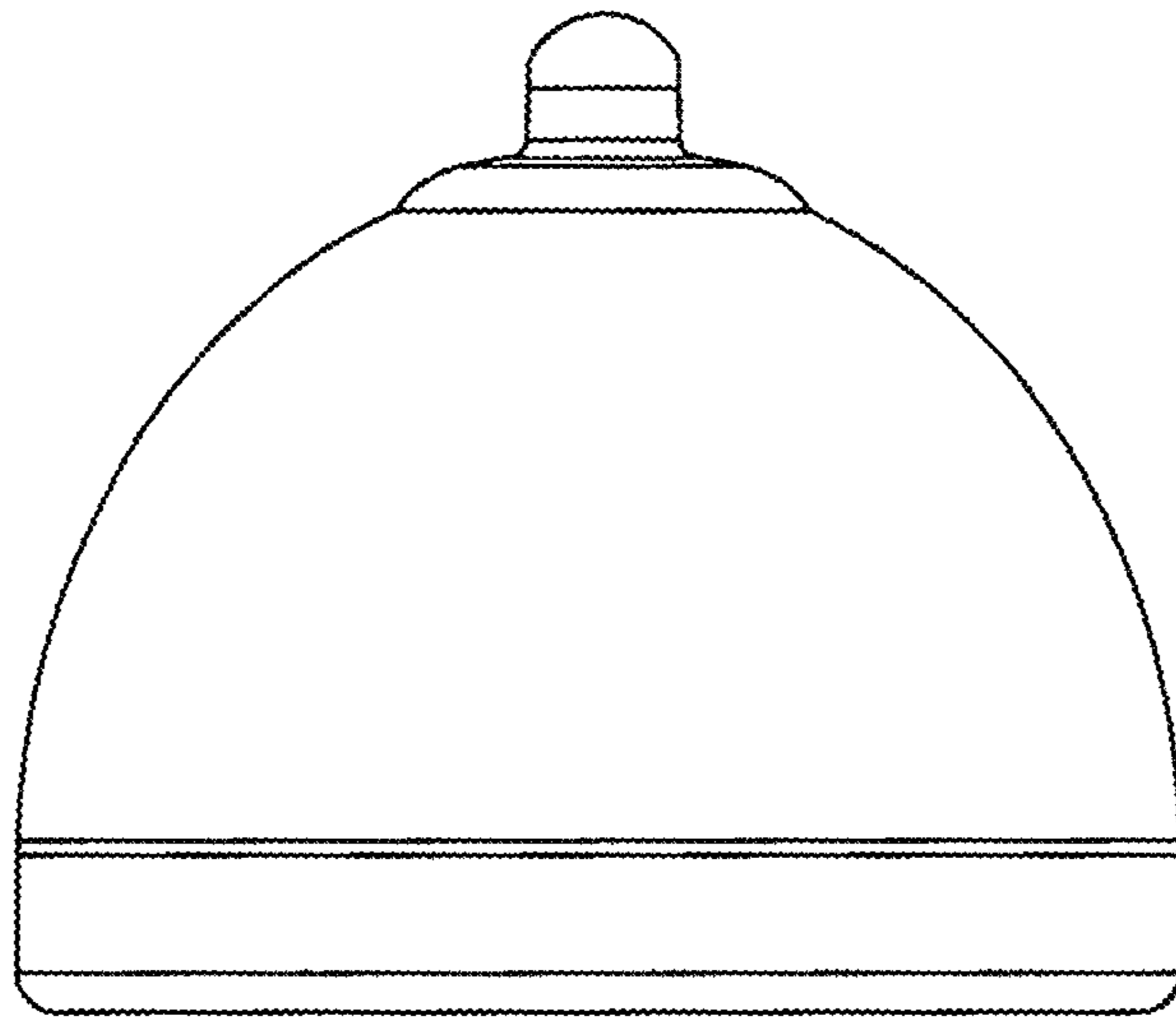


FIG. 2

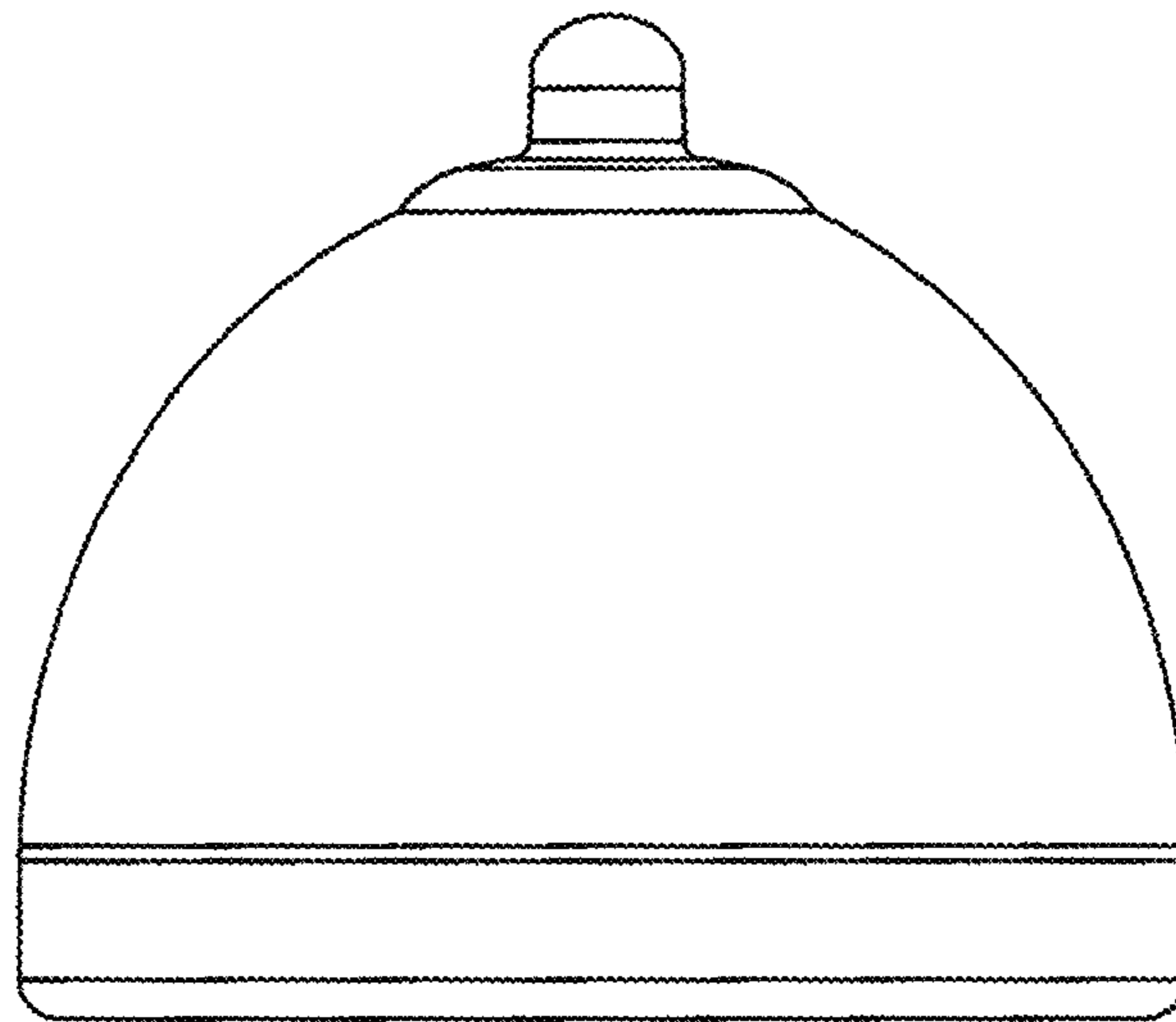


FIG. 3

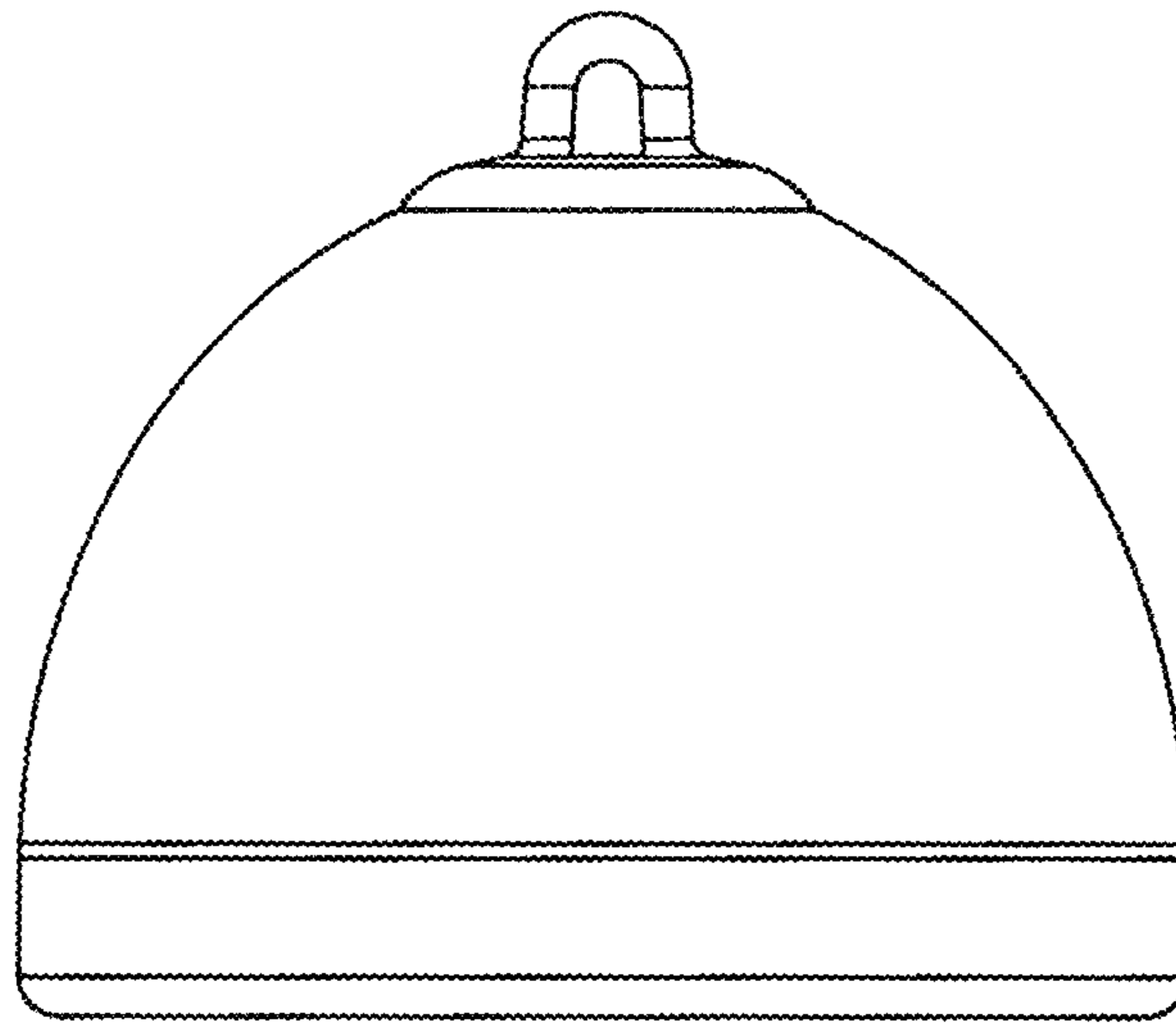


FIG. 4

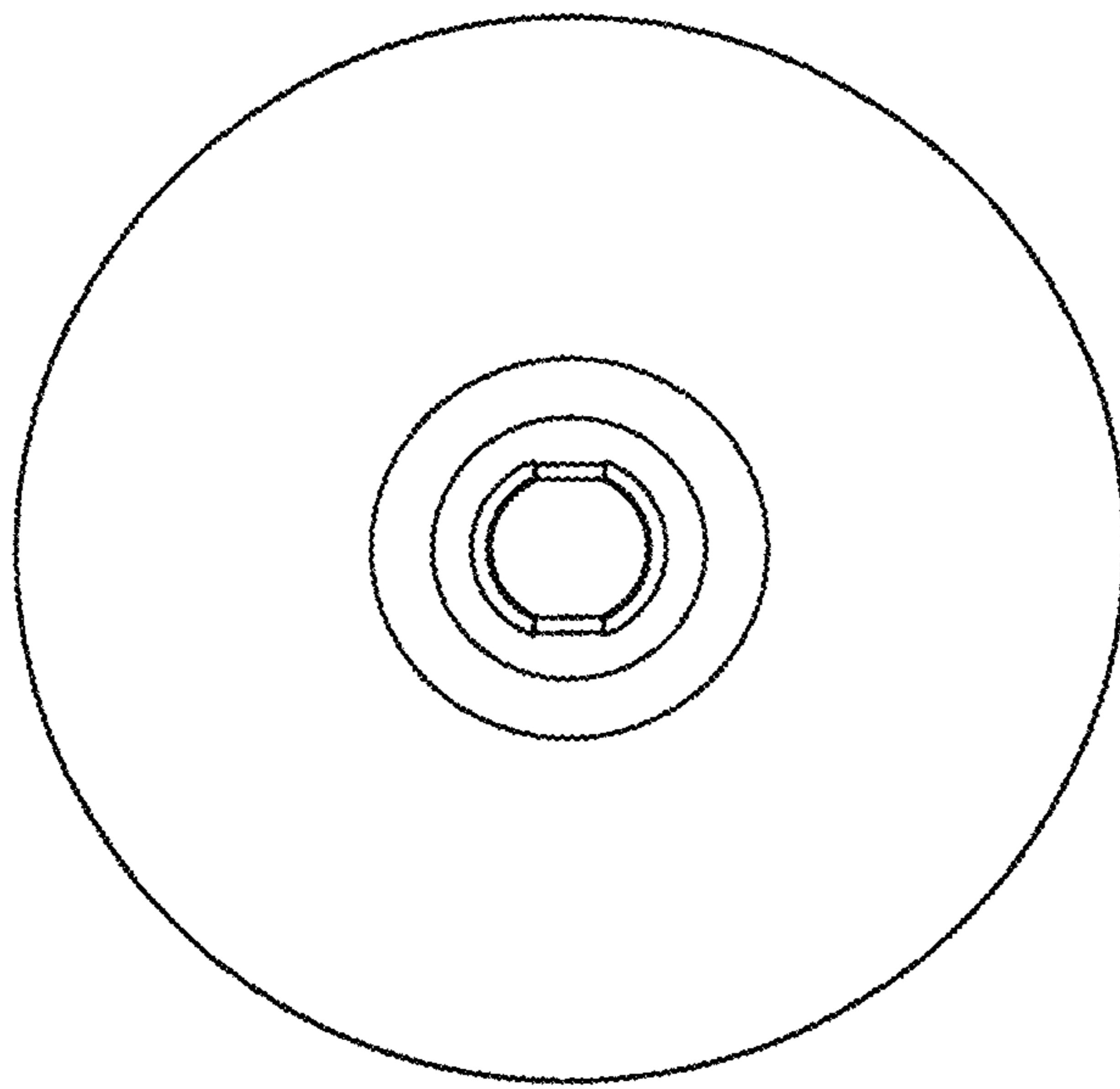


FIG. 5

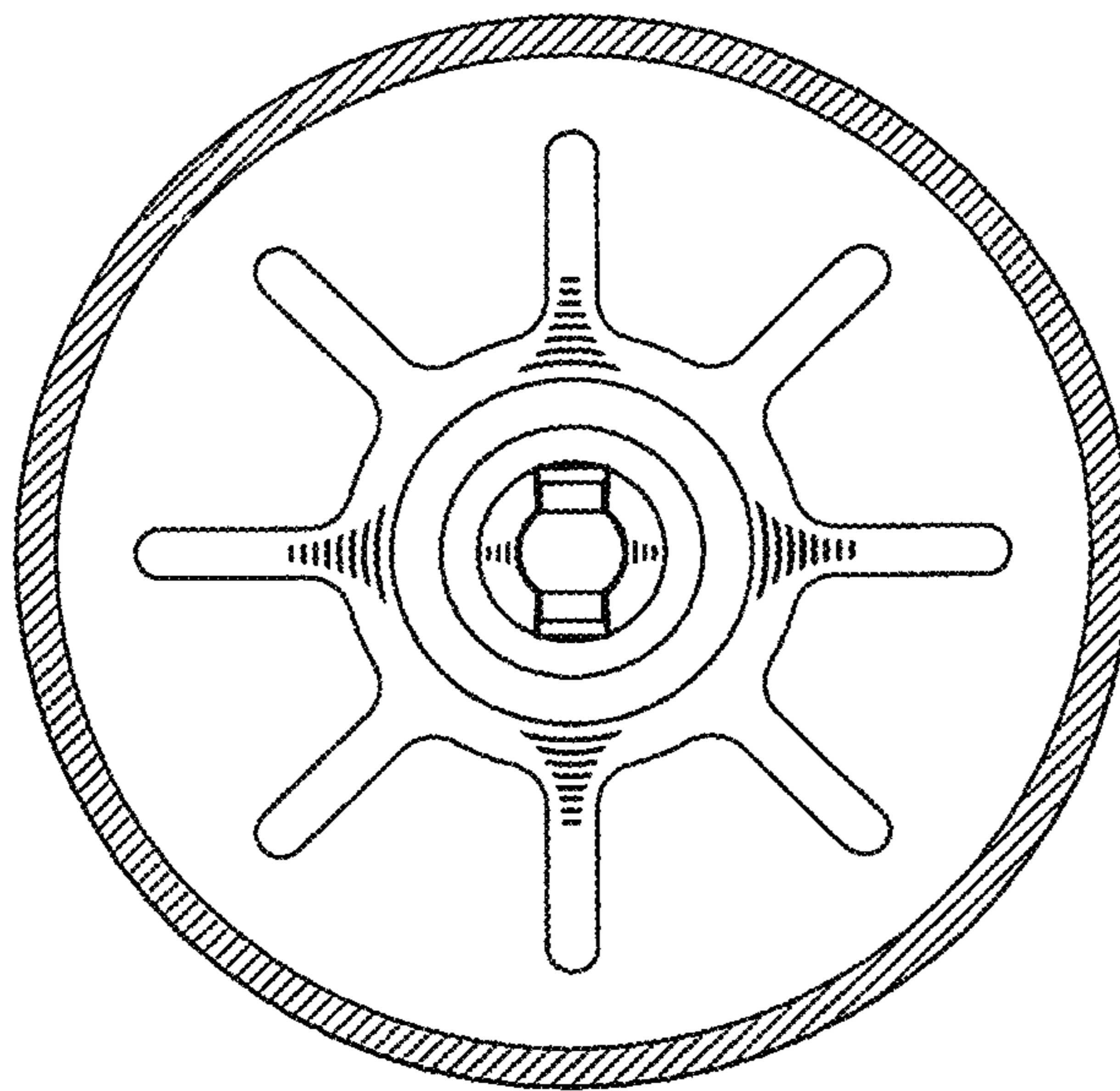


FIG. 6

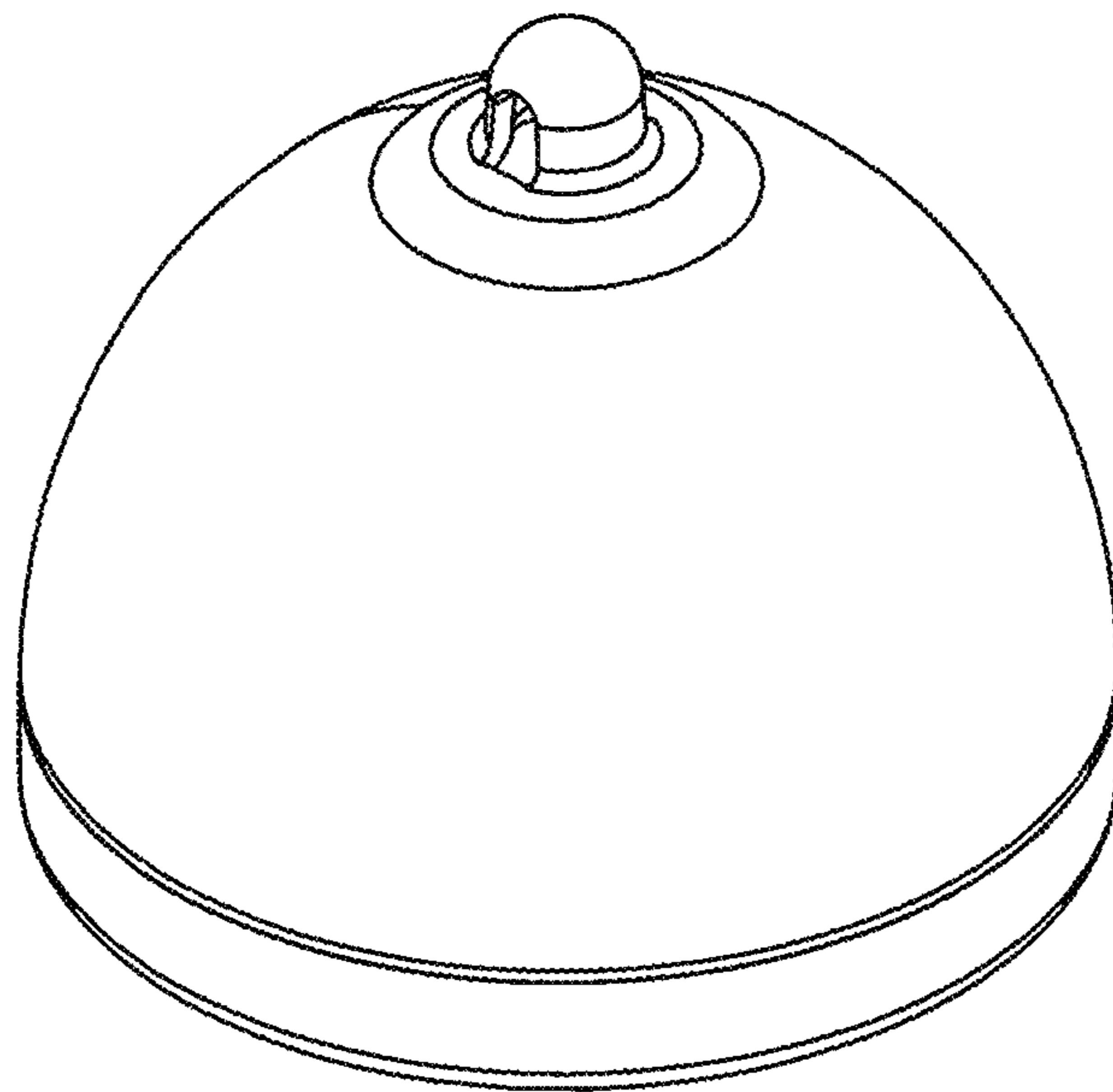


FIG. 7

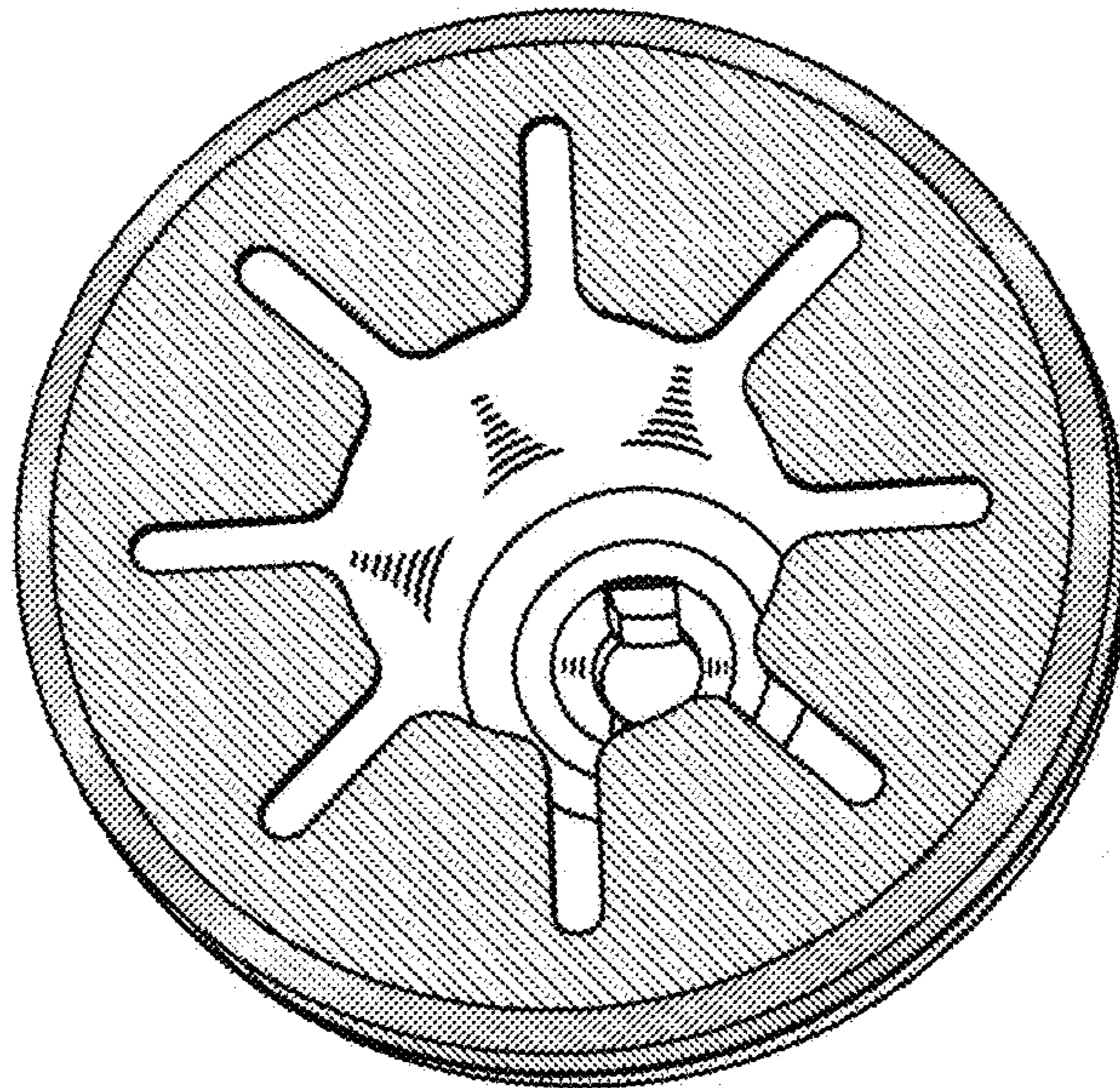


FIG. 8