



US00D878202S

(12) **United States Design Patent**
Benishai

(10) **Patent No.:** **US D878,202 S**
(45) **Date of Patent:** **** Mar. 17, 2020**

(54) **CONTAINER LID**

DESCRIPTION

- (71) Applicant: **Alon Benishai**, Brooklyn, NY (US)
- (72) Inventor: **Alon Benishai**, Brooklyn, NY (US)
- (**) Term: **15 Years**
- (21) Appl. No.: **29/649,736**
- (22) Filed: **Jun. 1, 2018**
- (51) **LOC (12) Cl.** **09-07**
- (52) **U.S. Cl.**
USPC **D9/439; D9/443**
- (58) **Field of Classification Search**
USPC D9/414, 434-436, 438-440, 443-457,
D9/499, 503-505, 682, 685, 686;
D7/387, 391, 392, 392.1, 396.2-396.4,
D7/401.1, 507, 509-511, 538, 900;
D3/202, 203.2, 318; D28/91.1
CPC .. A61J 1/00; A61J 1/1412; B65D 1/00; B65D
1/02; B65D 1/10; B65D 1/46; B65D
5/46; B65D 41/00; B65D 41/38; B65D
41/56; B65D 41/62; B65D 47/00; B65D
47/06;

(Continued)

(56) **References Cited**

U.S. PATENT DOCUMENTS

- 5,617,968 A * 4/1997 Luburic B65D 43/0256
220/266
- D403,582 S * 1/1999 Nask D9/435

(Continued)

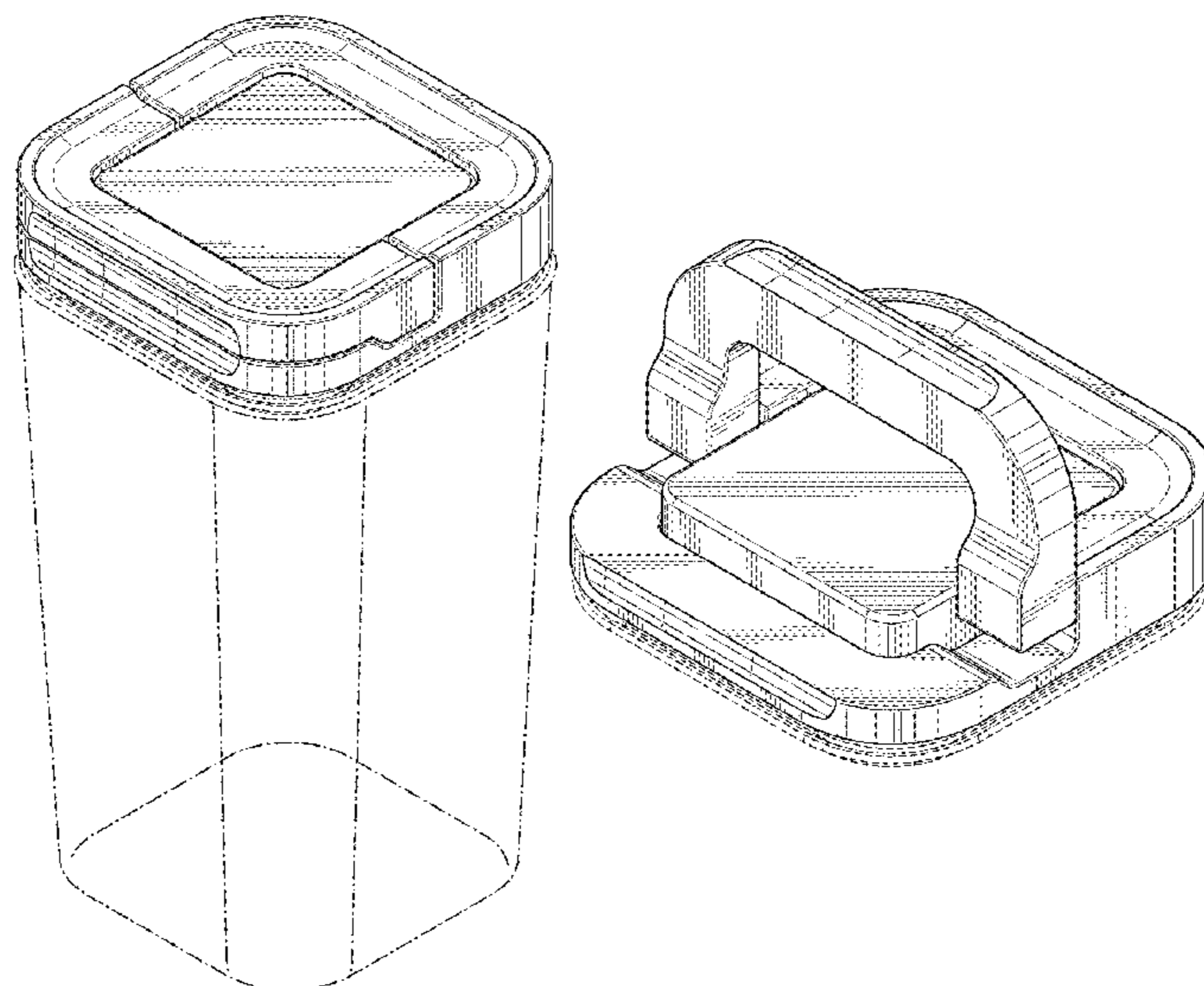
Primary Examiner — Michael A. Pratt
Assistant Examiner — Wendy L Arminio
 (74) *Attorney, Agent, or Firm* — Wood, Herron & Evans,
 L.L.P.

(57) **CLAIM**

The ornamental design for a container lid, as shown and described.

FIG. 1 is a front right perspective view of my new container lid according to the present invention, shown attached to an unclaimed container drawn in dash-dot-dash broken lines; FIG. 2 is a front right perspective view of my new container lid of FIG. 1, but shown removed from the container for purpose of clarity; FIG. 3 is a front view thereof; FIG. 4 is a rear view thereof; FIG. 5 is a right side view thereof, the left side view being a mirror image thereof; FIG. 6 is a top view thereof; FIG. 7 is a bottom view thereof; FIG. 8 is a front right perspective view of my new container lid shown in FIG. 1, but with the handle rotated in an open position, illustrating an alternative configuration of the present invention; FIG. 9 is a front view of my new container lid shown in FIG. 8; FIG. 10 is a rear view thereof; FIG. 11 is a right side view thereof the left side view being a mirror image thereof; FIG. 12 is a top view thereof the bottom view being identical to FIG. 7; FIG. 13 is a front right perspective view of an alternative embodiment of my new container lid of the present invention. FIG. 14 is a right side view thereof, the left side view being a mirror image thereof; and, FIG. 15 is a top view thereof. The dash-dot-dash broken lines illustrating a container in FIG. 1 depict environment and form no part of the claimed design. The dash-dash broken lines depict portions of the container lid that form no part of the claimed design. The container lid in FIGS. 13-15 is shown with symbolic breaks in its length. The jagged break lines and the appearance of any portion of the article between the jagged break lines forms no part of the claimed design.

1 Claim, 8 Drawing Sheets



(58) **Field of Classification Search**

CPC B65D 47/08; B65D 2251/00; B65D
2543/00046; B65D 2543/00092; B65D
2543/00296; B65D 2585/56; B65D
2585/545

See application file for complete search history.

(56) **References Cited**

U.S. PATENT DOCUMENTS

5,979,691 A * 11/1999 Von Holdt B65D 43/0256
220/266
D487,342 S * 3/2004 Yewdall D3/203.2
D521,811 S * 5/2006 Yourist D7/615
D610,412 S * 2/2010 Matsumoto D7/629
D619,424 S * 7/2010 Yang D7/615
D647,359 S * 10/2011 Audette D7/391
D754,538 S * 4/2016 Roesler D9/443
D759,434 S * 6/2016 Duvigneau D7/615
D765,508 S * 9/2016 Wu D9/439
D773,931 S * 12/2016 Liu D9/449
D786,674 S * 5/2017 Miller D9/446
D807,692 S * 1/2018 Yao D7/392.1
D813,032 S * 3/2018 Daley D9/435
D820,083 S * 6/2018 Daley D9/435
D828,754 S * 9/2018 Liu D9/439
D850,187 S * 6/2019 Pentelovitch D7/391
D854,879 S * 7/2019 Pentelovitch D7/391

* cited by examiner

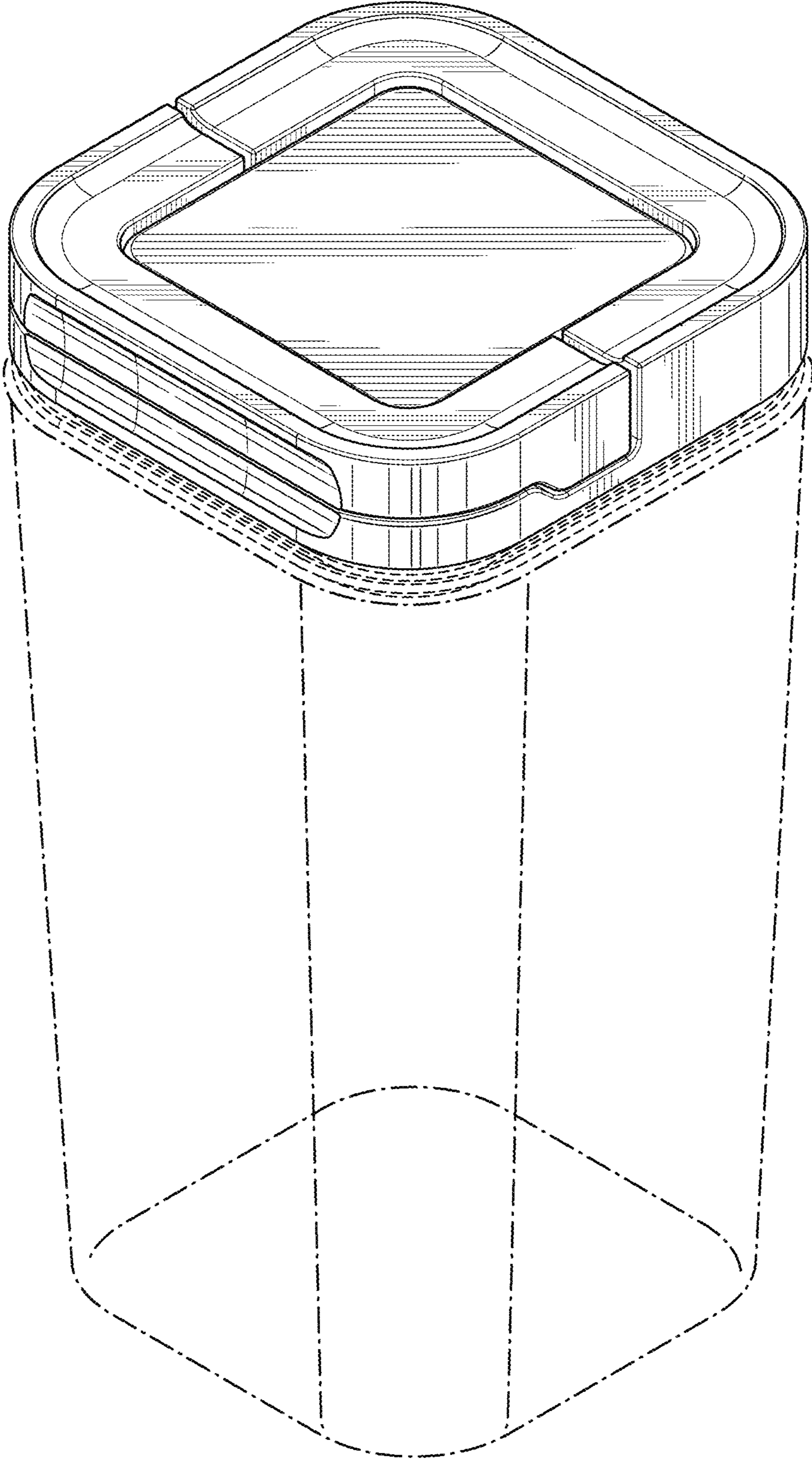


FIG. 1

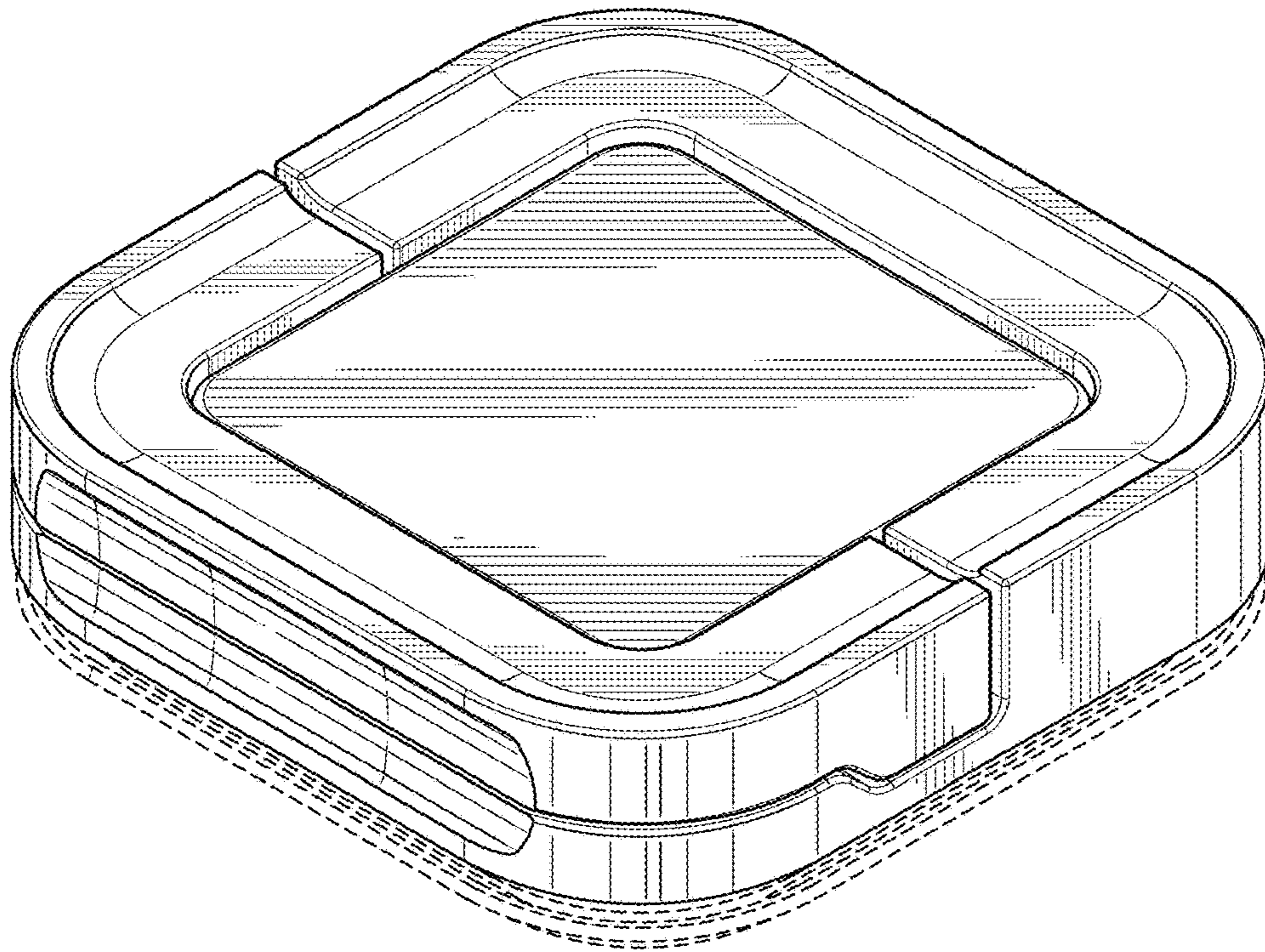


FIG. 2

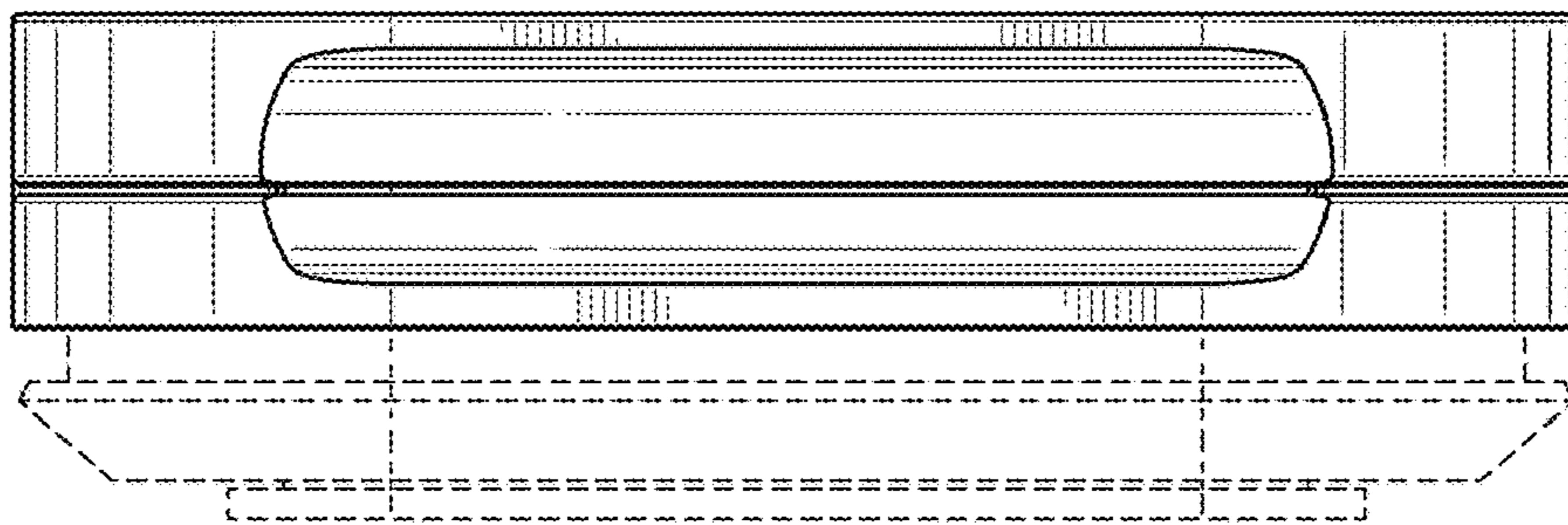


FIG. 3

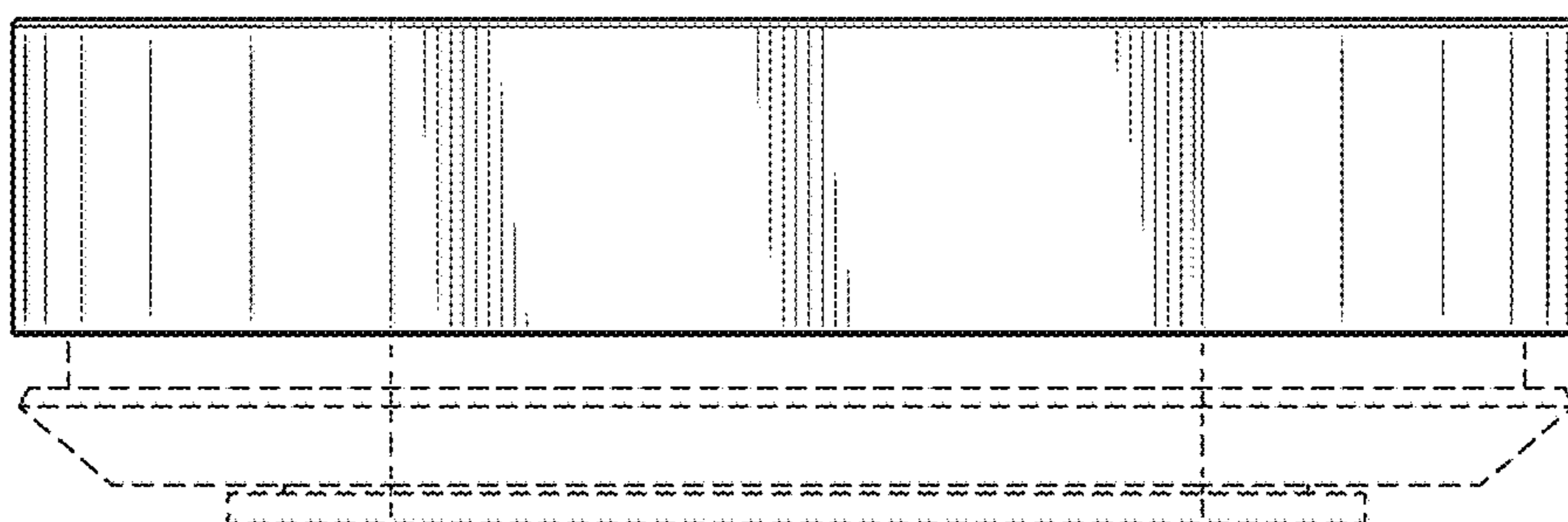


FIG. 4

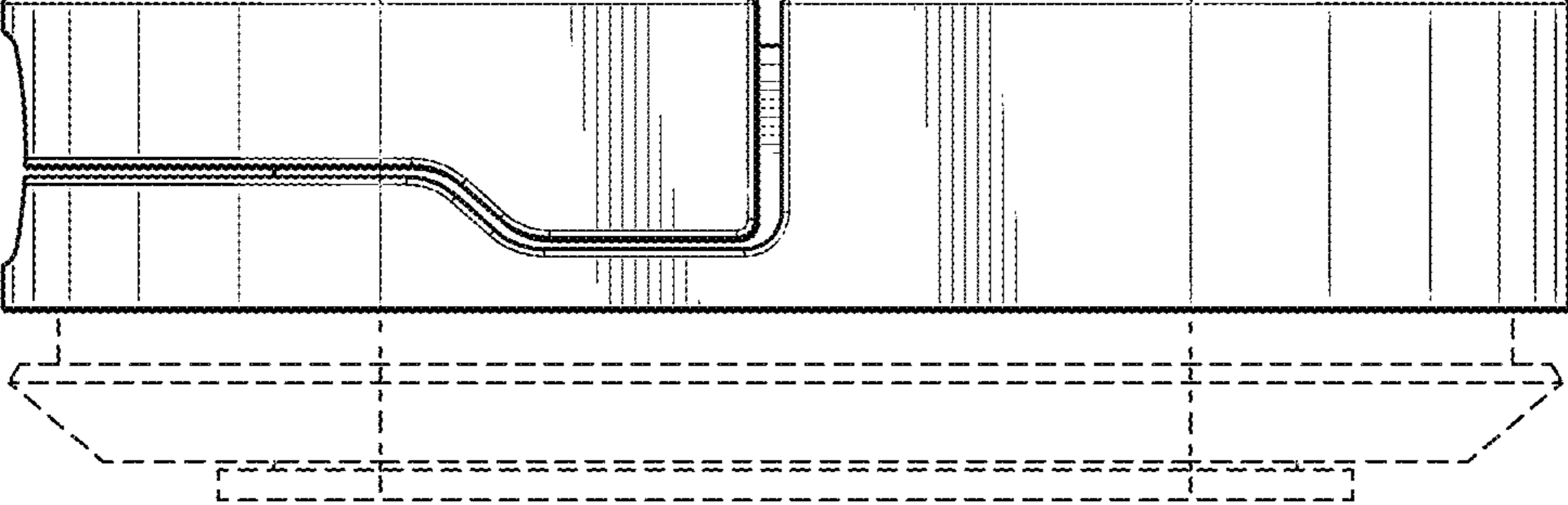


FIG. 5

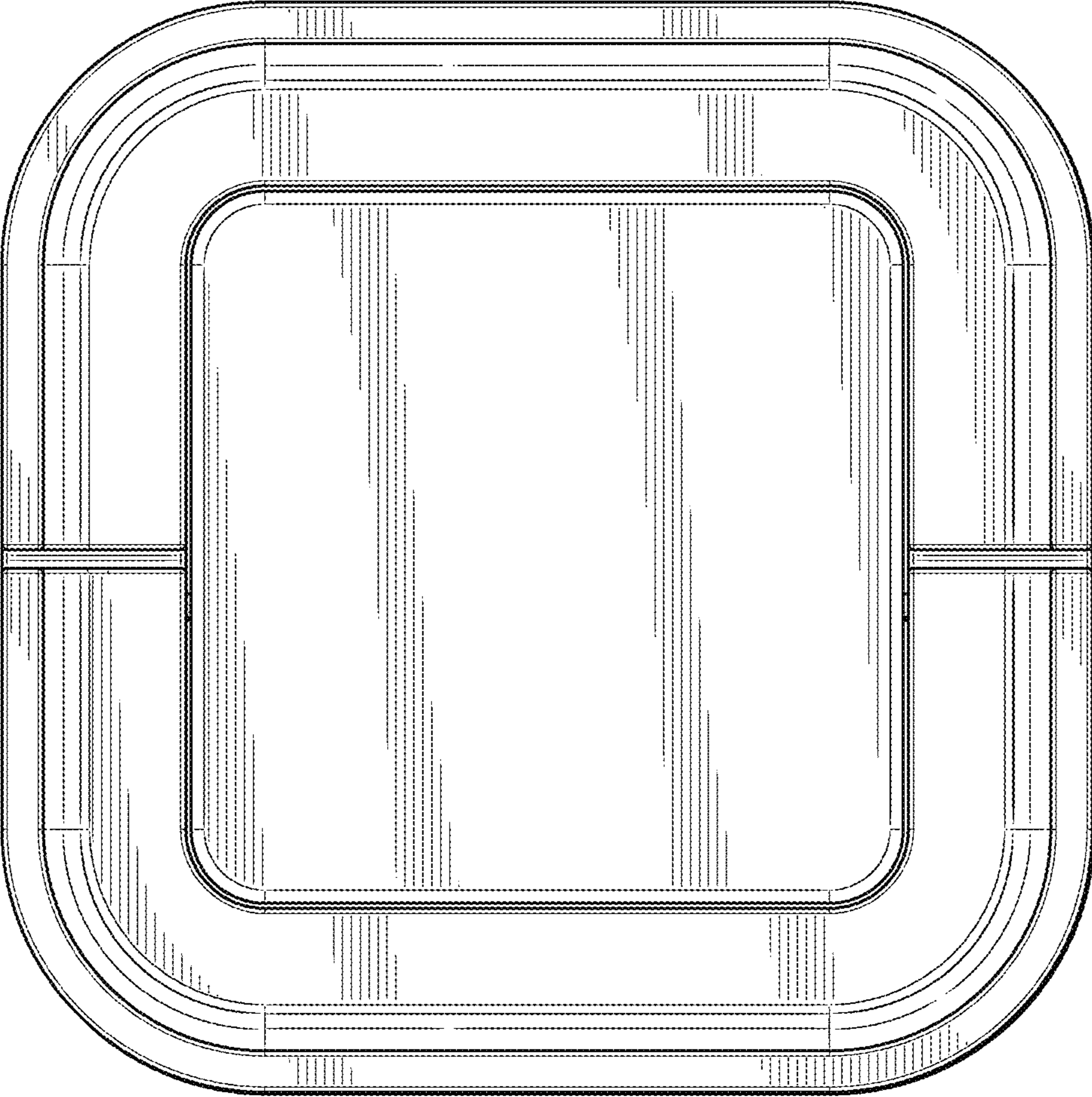


FIG. 6

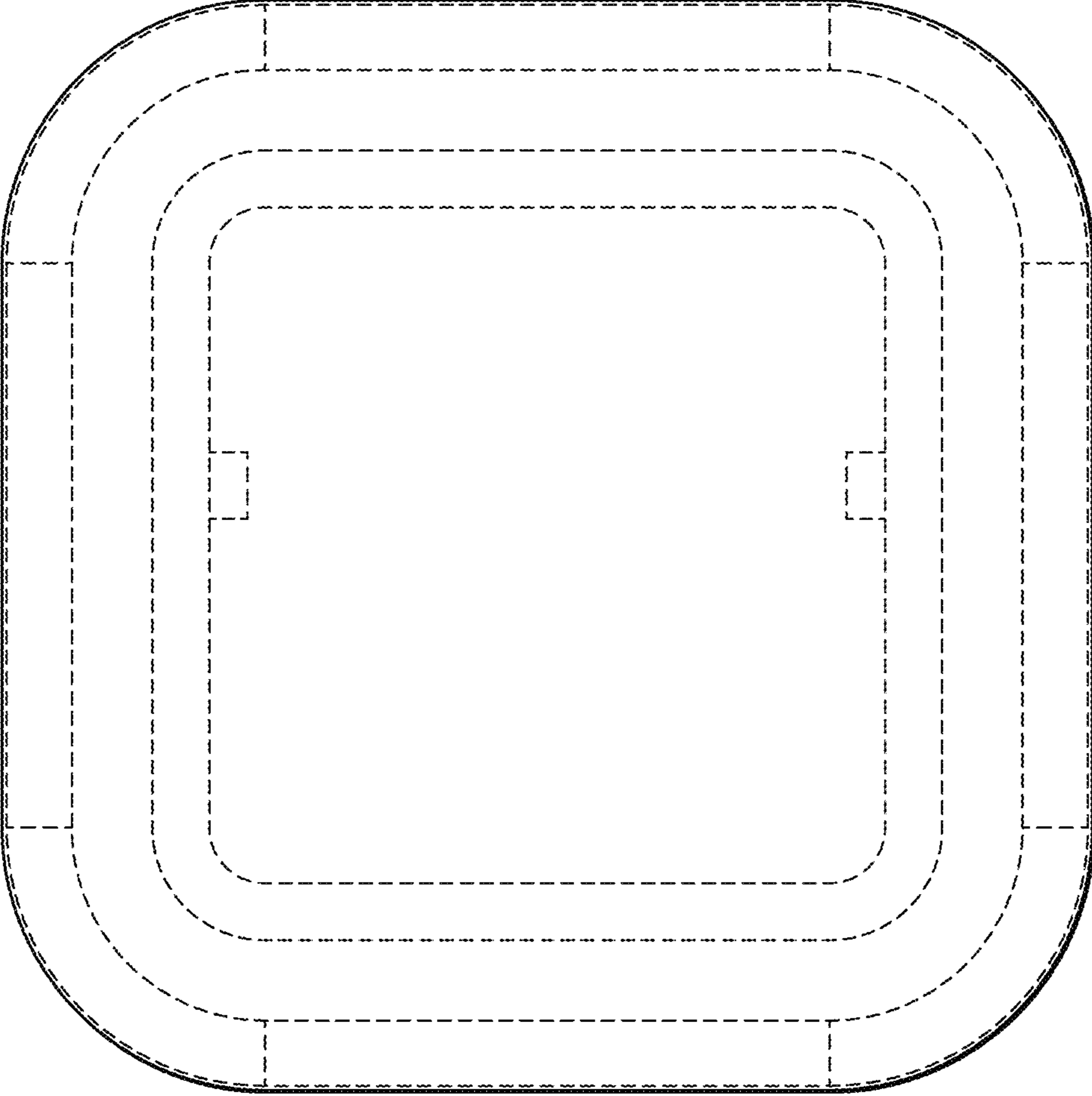


FIG. 7

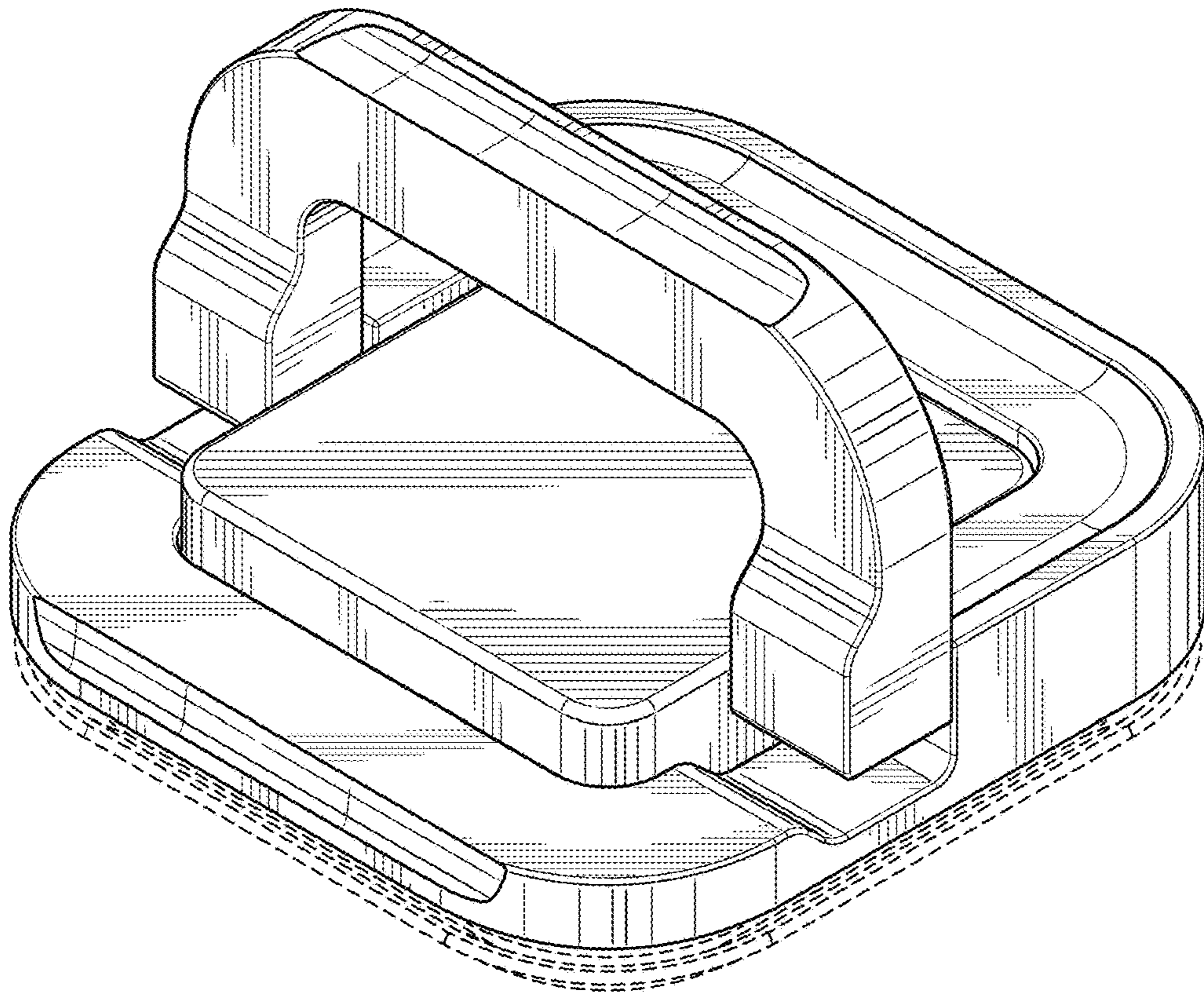


FIG. 8

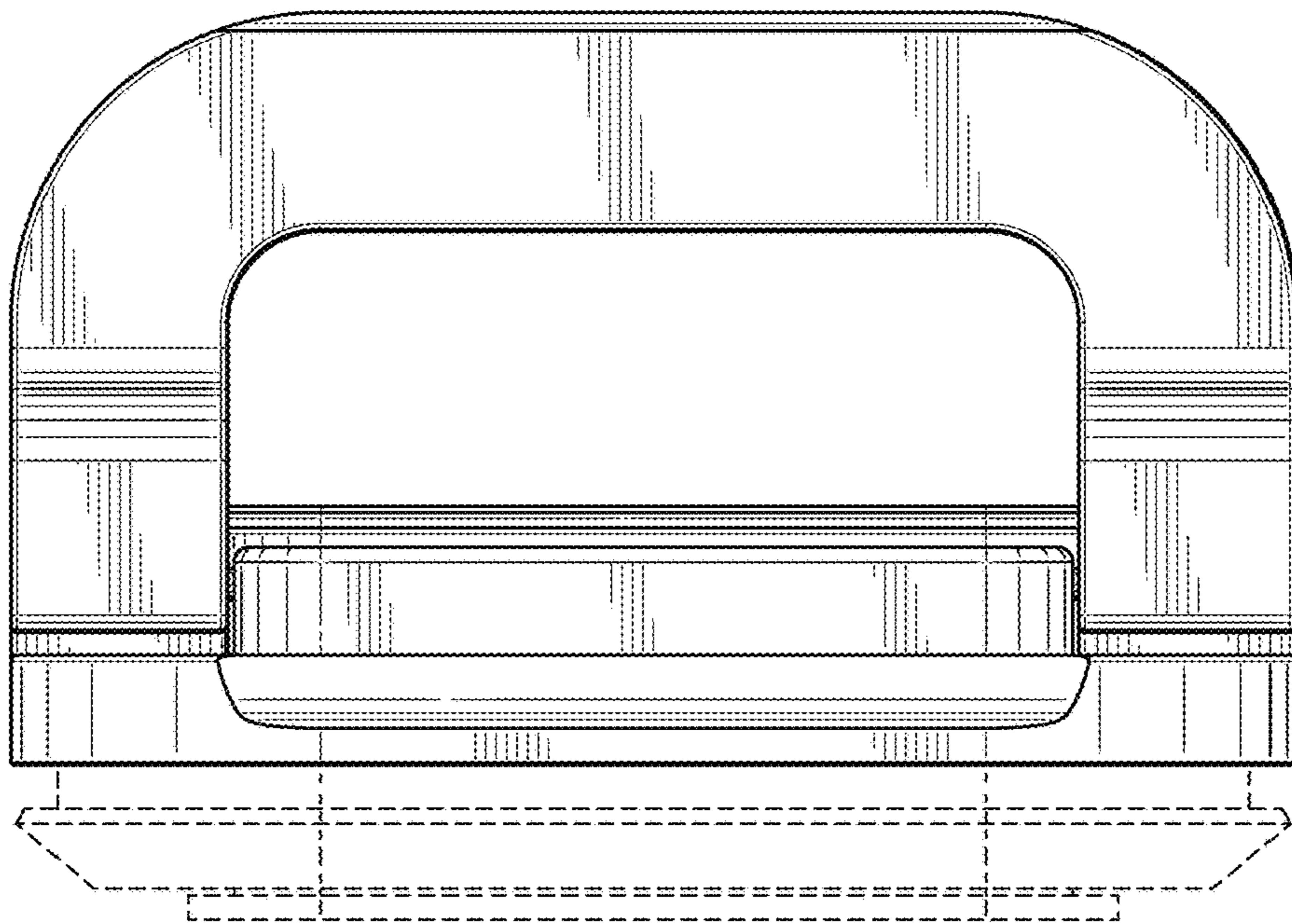


FIG. 9

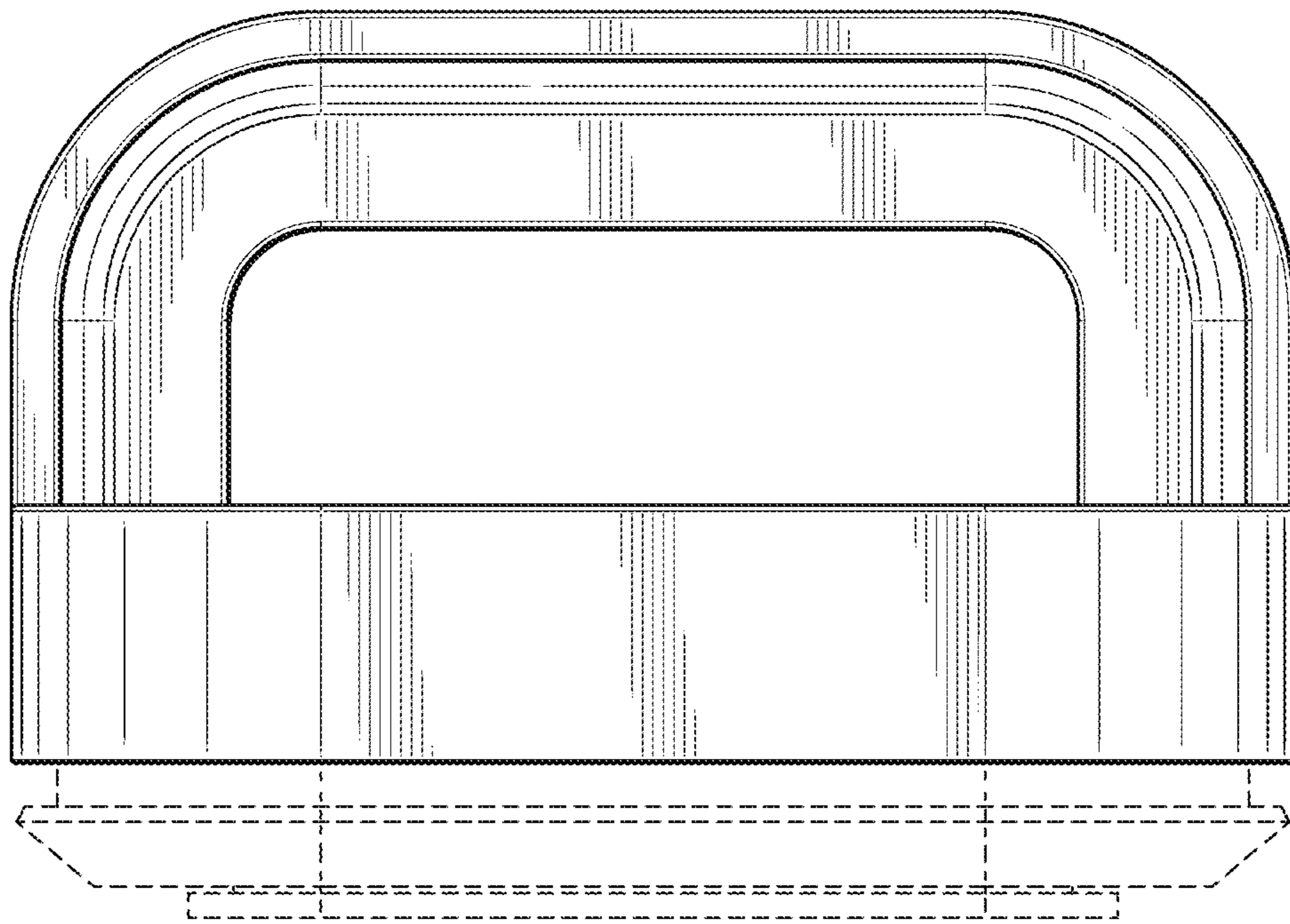


FIG. 10

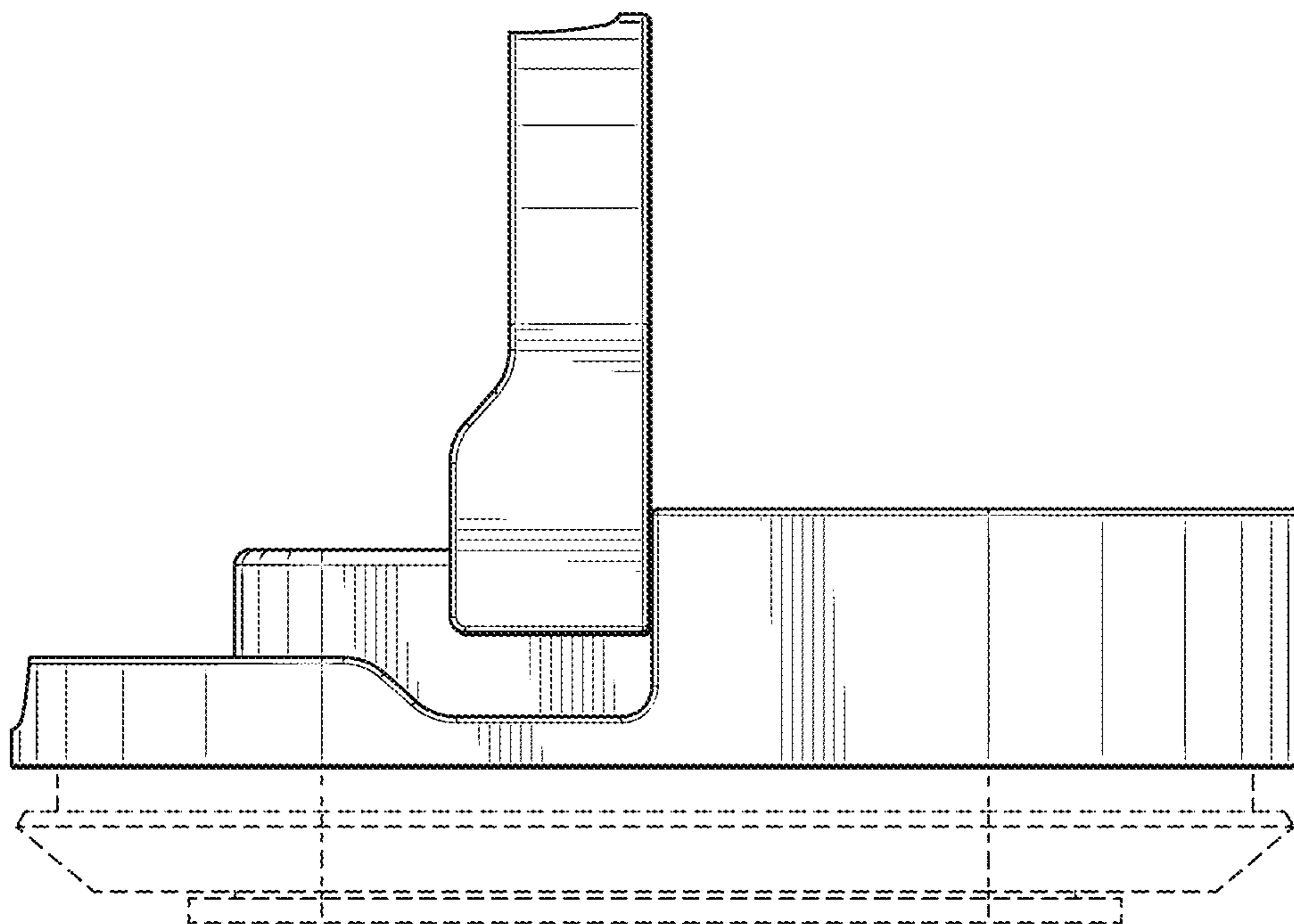


FIG. 11

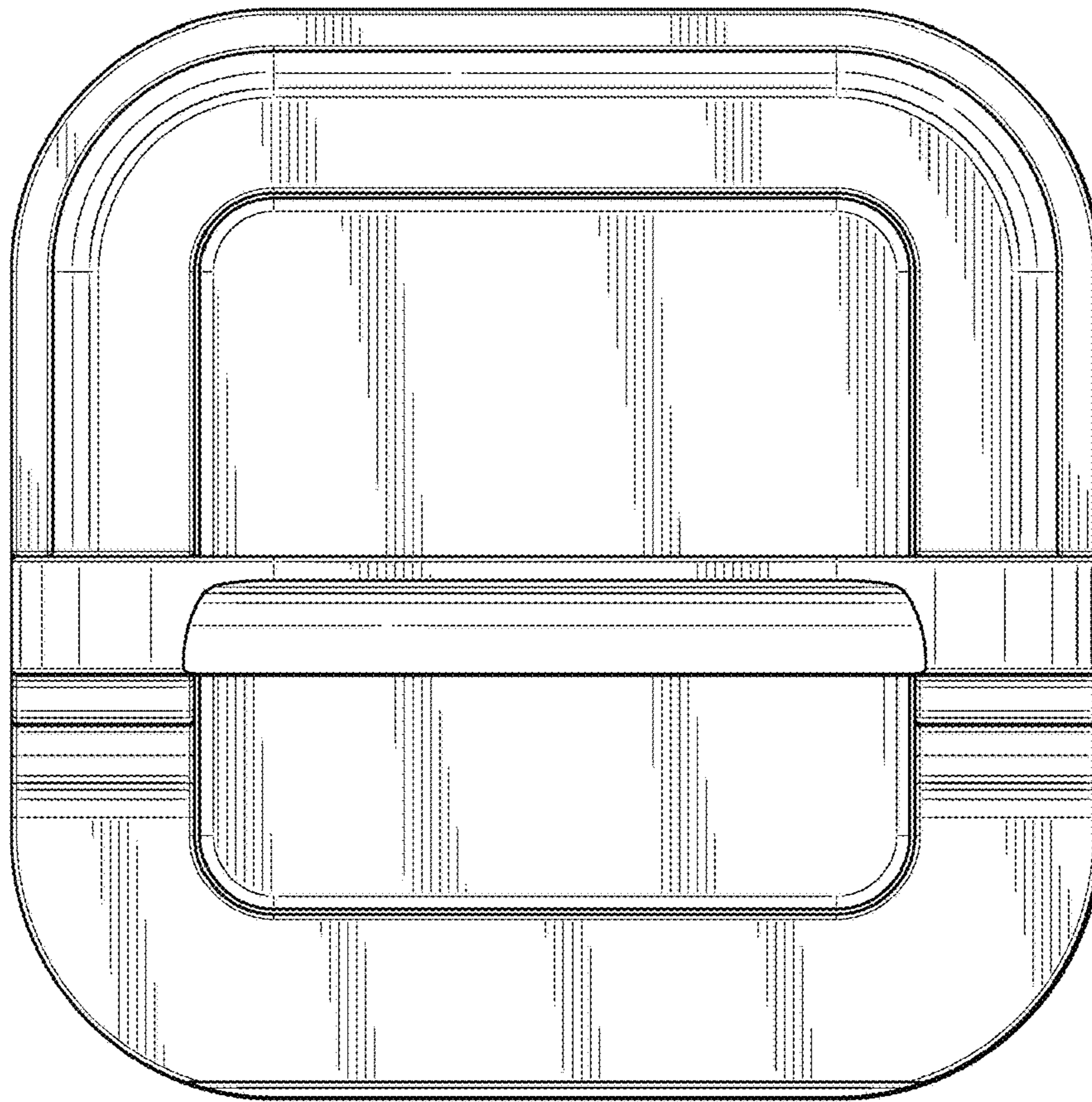


FIG. 12

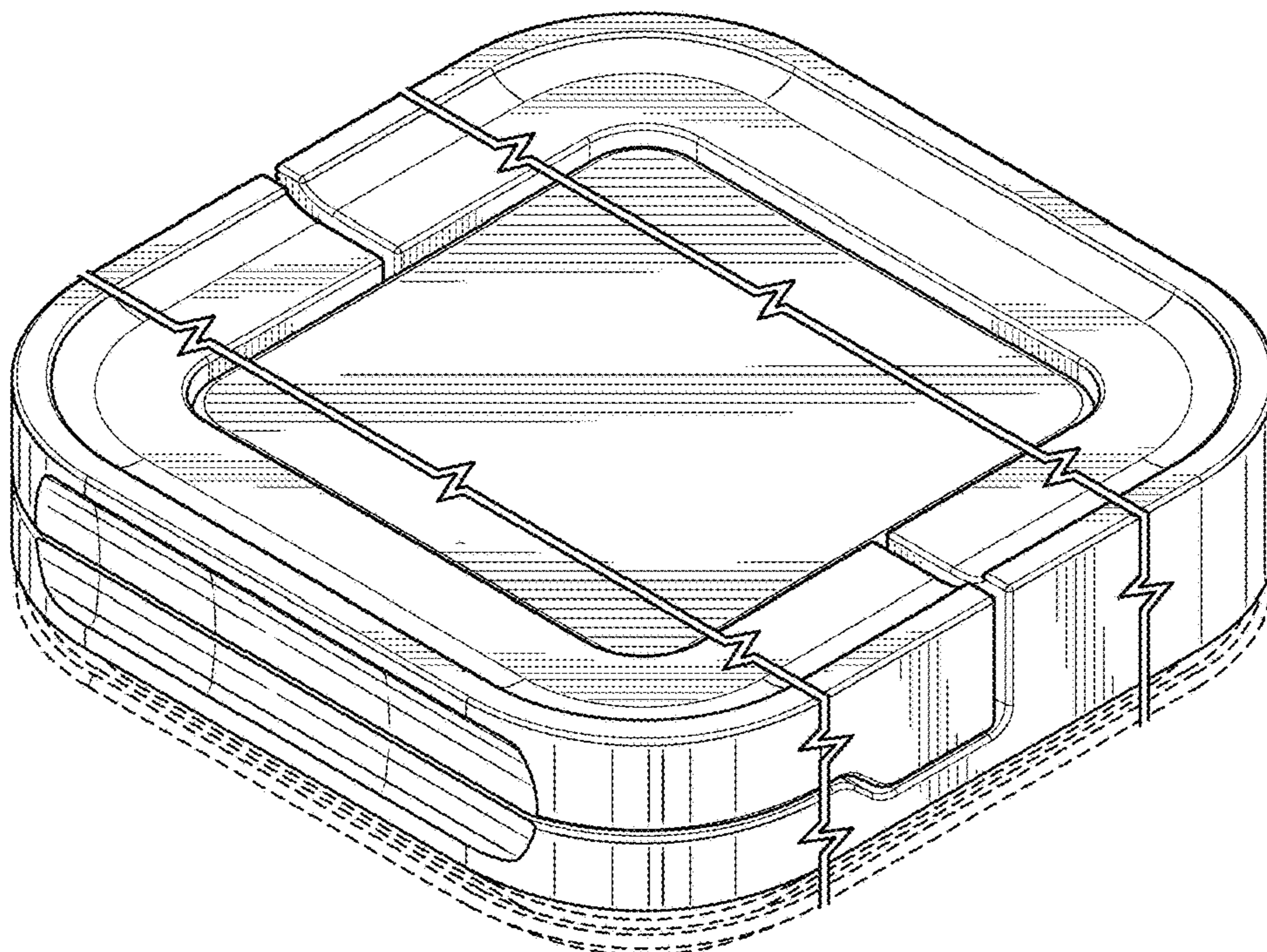


FIG. 13

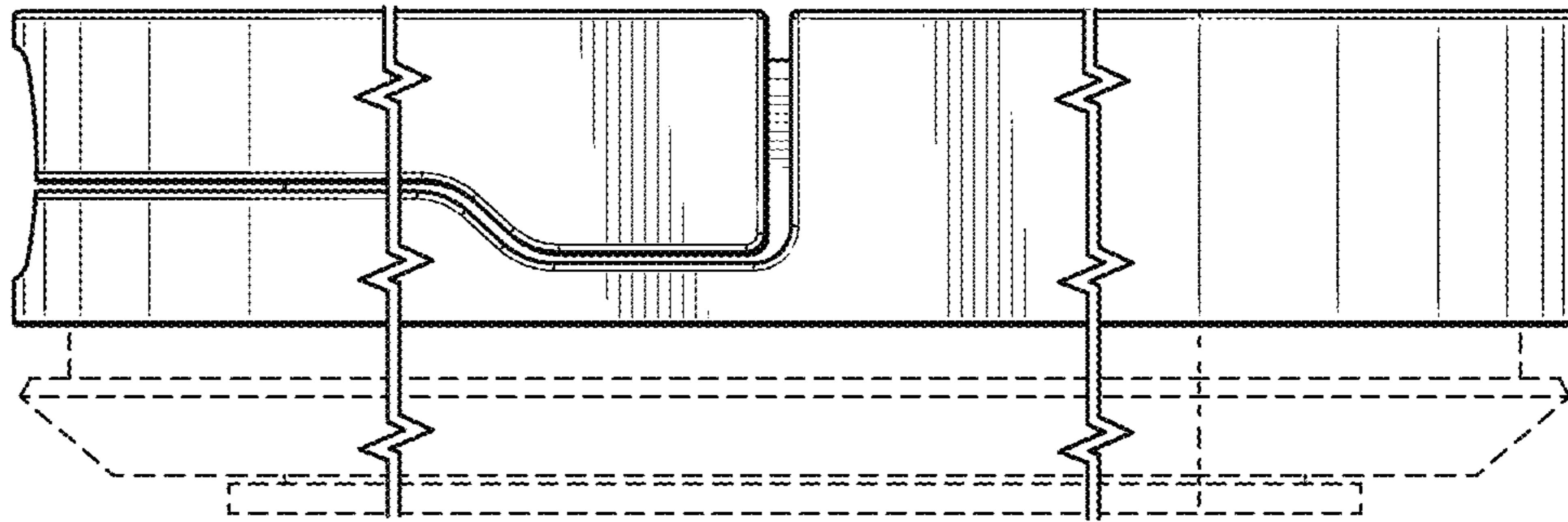


FIG. 14

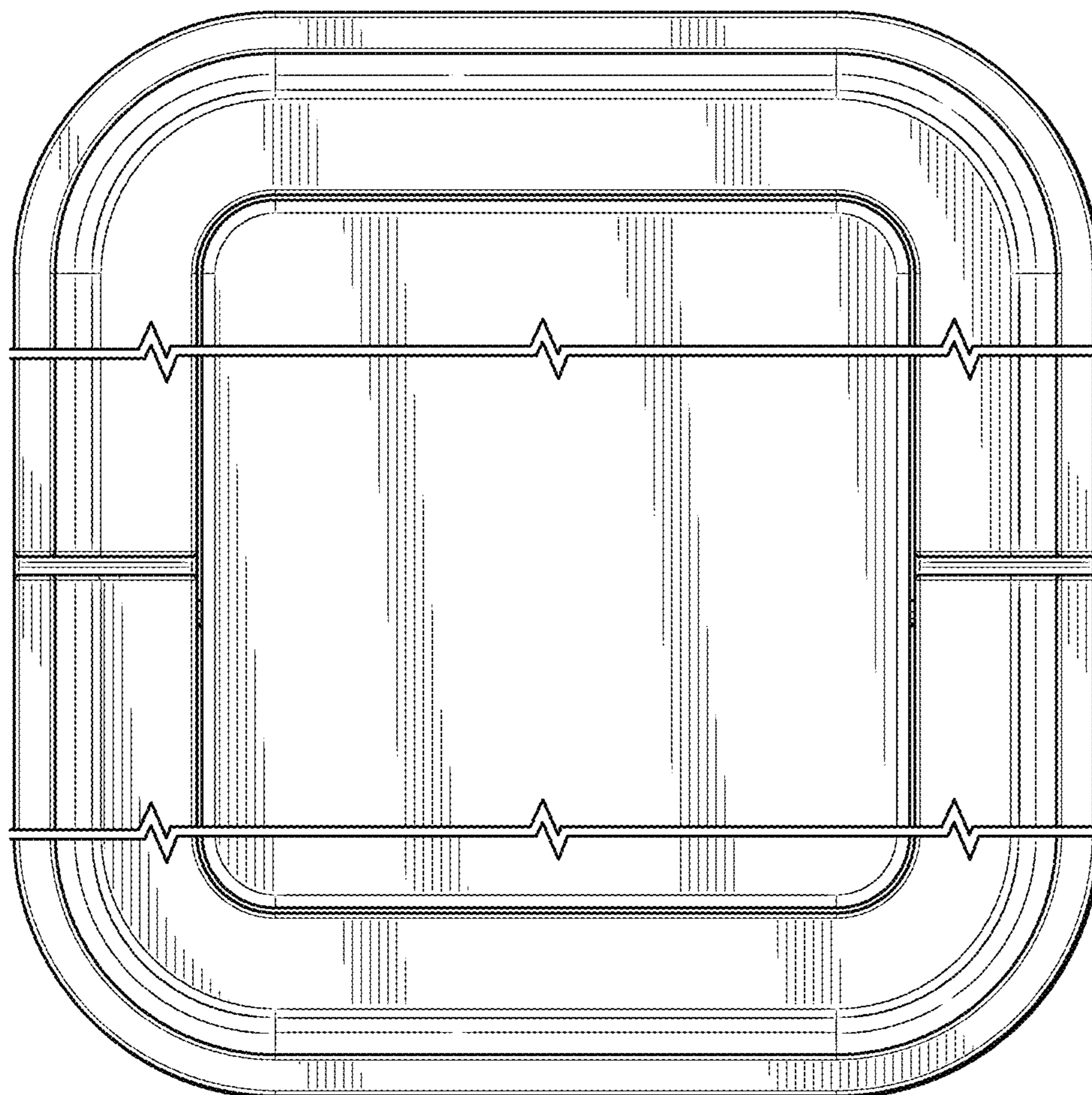


FIG. 15