



US00D878197S

(12) **United States Design Patent**
Griffin et al.

(10) **Patent No.:** **US D878,197 S**
(45) **Date of Patent:** **** Mar. 17, 2020**

- (54) **CHILD RESISTANT SLIDE BOX**
- (71) Applicants: **Jeremy Griffin**, Lancaster, CA (US);
Jacob Griffin, Lancaster, CA (US)
- (72) Inventors: **Jeremy Griffin**, Lancaster, CA (US);
Jacob Griffin, Lancaster, CA (US)
- (73) Assignee: **Dragon Chewer LLC**, Lancaster, CA (US)

5,082,137 A 1/1992 Weinstein
 D439,743 S * 4/2001 DeVance D3/297
 D465,729 S * 11/2002 Nishimura D9/422
 D593,409 S 6/2009 Blick
 (Continued)

(**) Term: **15 Years**
 (21) Appl. No.: **29/708,568**

(22) Filed: **Oct. 8, 2019**
 (51) **LOC (12) Cl.** **09-03**
 (52) **U.S. Cl.**
 USPC **D9/432**; D3/298; D9/414
 (58) **Field of Classification Search**
 USPC D9/414, 424, 432, 701, 733; D3/203.1,
 D3/203.2, 297, 298
 CPC B65D 43/20-24; B65D 50/00-069
 See application file for complete search history.

FOREIGN PATENT DOCUMENTS

WO 0115998 3/2001

OTHER PUBLICATIONS

Child Resistant Pre-Rolls Packaging Box. [online] Retrieved Jan. 10, 2020 from URL: https://marijuanapackagingsolution.com/product/custom-child-resistant-vape-cartridges-box.*

(Continued)

Primary Examiner — Vy N Koenig
 (74) *Attorney, Agent, or Firm* — Todd R. Miller

(57) **CLAIM**

The ornamental design for a child resistant slide box, as shown and described.

(56) **References Cited**

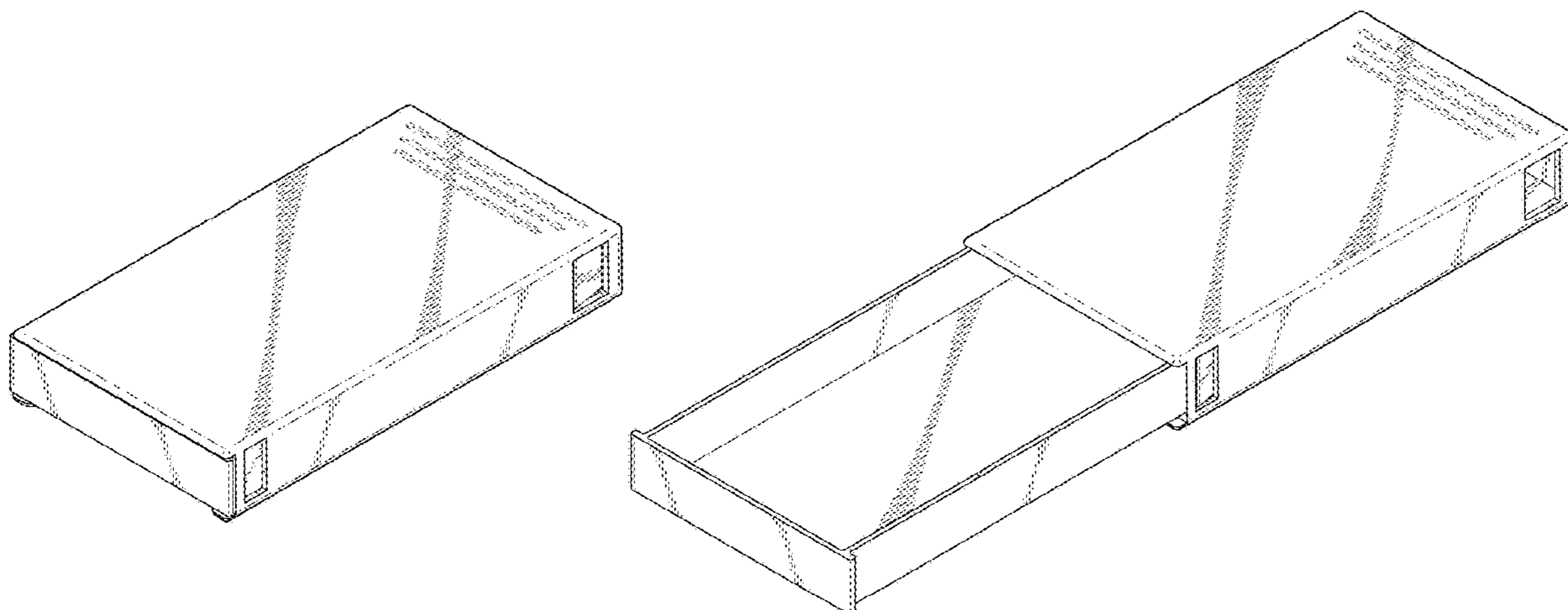
U.S. PATENT DOCUMENTS

2,353,818 A * 7/1944 Duell B65D 43/20
 221/246
 D174,982 S 6/1955 Crapsey
 3,833,143 A * 9/1974 Starkermann B65D 11/12
 220/351
 3,888,350 A * 6/1975 Horvath B65D 11/12
 206/531
 4,113,098 A * 9/1978 Howard A61J 1/03
 206/1.5
 4,126,224 A 11/1978 Laauwe
 4,561,544 A * 12/1985 Reeve B65D 11/12
 206/1.5
 4,844,284 A * 7/1989 Drozd B65D 50/045
 220/281
 5,080,222 A 1/1992 McNary

DESCRIPTION

FIG. 1 is a top perspective view embodying the inventive child resistant slide box design showing the box closed; FIG. 2 is a top view of the device as seen in FIG. 1; FIG. 3 is a front view of the device as seen in FIG. 1; FIG. 4 is a right side view of the device as seen in FIG. 1; FIG. 5 is a left side view of the device as seen in FIG. 1; FIG. 6 is a bottom view of the device as seen in FIG. 1; FIG. 7 is a rear view of the device as seen in FIG. 1; and, FIG. 8 is a top perspective view of the device as seen in FIG. 1, wherein the box is open.
 The broken lines in the figures depict environmental subject matter only and form no part of the claimed design.

1 Claim, 5 Drawing Sheets



(56)

References Cited

U.S. PATENT DOCUMENTS

7,708,142 B2 * 5/2010 Ehrlund B65D 5/38
206/1.5
7,798,329 B2 * 9/2010 Gelardi B65D 83/0463
206/1.5
7,854,325 B2 * 12/2010 Bentele B65D 5/38
206/1.5
7,967,144 B2 * 6/2011 Sack B65D 83/0463
206/538
D640,920 S * 7/2011 Giraud D3/203.2
D645,244 S * 9/2011 Rietjens D3/203.3
8,066,121 B2 * 11/2011 Sack B65D 75/327
206/531
8,087,540 B2 * 1/2012 Bailey A24F 15/14
221/104
D719,016 S 12/2014 Schroeder
9,938,042 B1 * 4/2018 Aryanpanah B65D 50/04
2004/0055903 A1 * 3/2004 Nishimura A45C 11/14
206/1.5
2004/0099565 A1 * 5/2004 Dehlin B65D 5/38
206/536
2009/0152134 A1 * 6/2009 Katsis A24F 27/00
206/96

2009/0200307 A1 * 8/2009 Giraud B65D 50/04
220/326
2009/0266837 A1 * 10/2009 Gelardi B65D 50/046
221/154
2010/0038278 A1 * 2/2010 Gattefosse B65D 50/046
206/531
2014/0251842 A1 * 9/2014 Pipes B65D 50/066
206/258
2017/0137167 A1 * 5/2017 Warner A61J 1/03
2018/0305092 A1 * 10/2018 Lucas, Jr. B65D 11/12
2019/0201285 A1 7/2019 Warden

OTHER PUBLICATIONS

dragonchewer.com, Oct. 3, 2019, Internet printout: <https://dragonchewer.com/product/pnp-black-green-med-10/>.
sks-bottle.com, Oct. 3, 2019, Internet printout: <https://www.sks-bottle.com/340c/fin7k.html>.
thenorcalconnection.com, Oct. 3, 2019, Internet printout: <https://www.thenorcalconnection.com/index.php/child-proof-packaging/cr-slide-box-with-or-without-insert>.

* cited by examiner

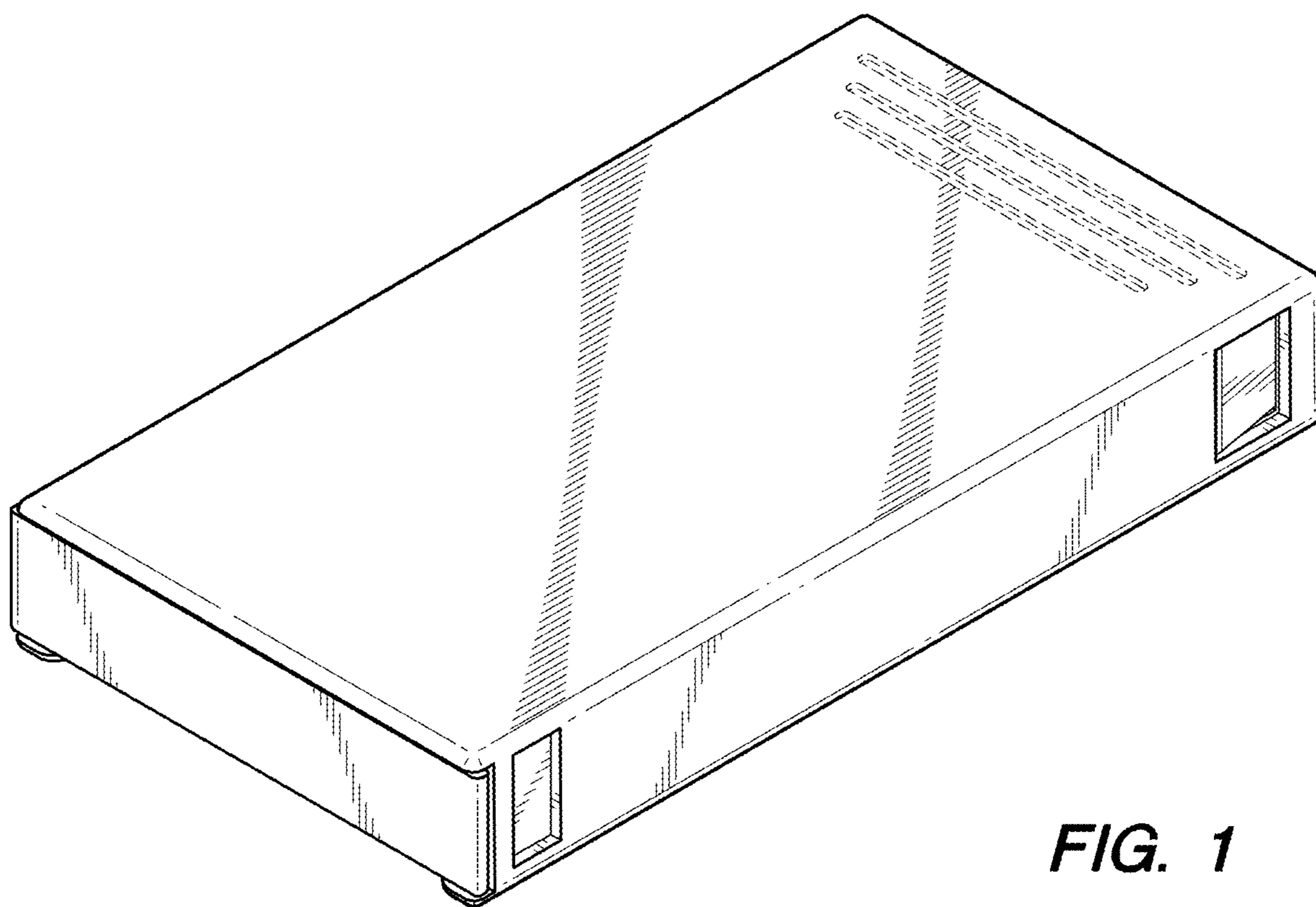


FIG. 1

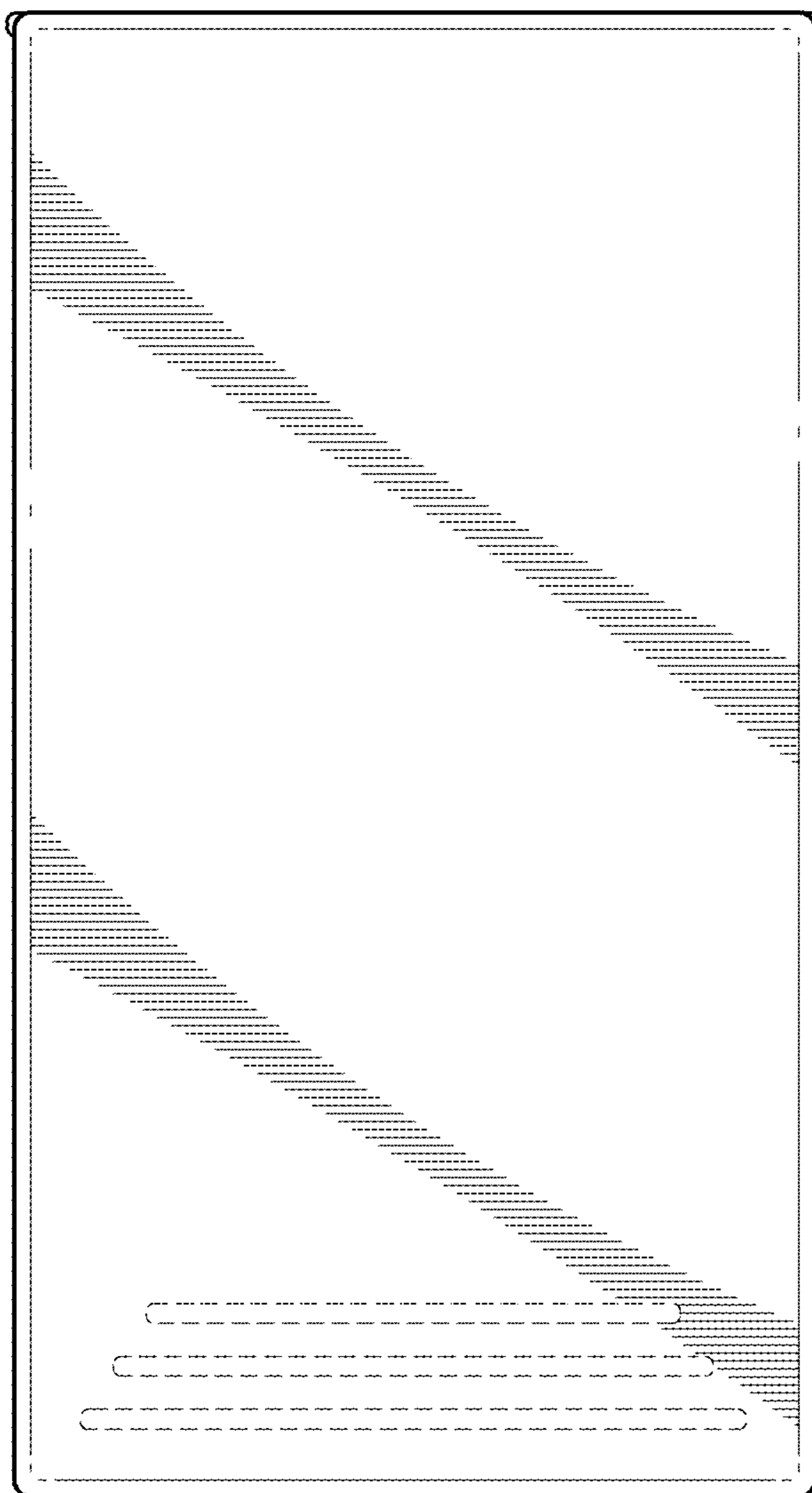


FIG. 2

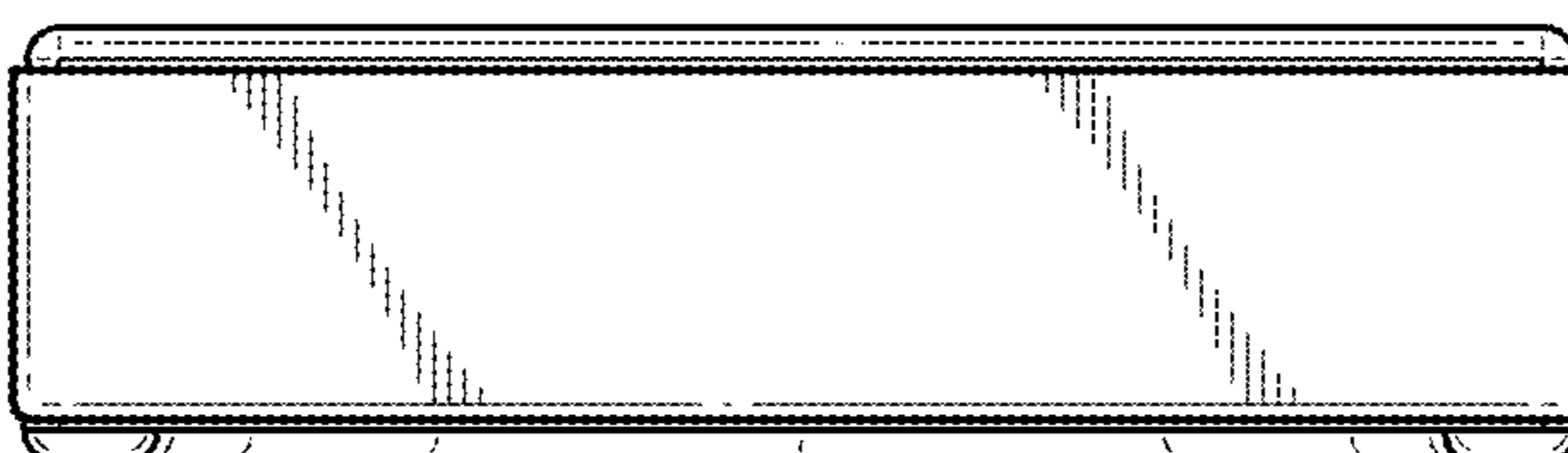


FIG. 3

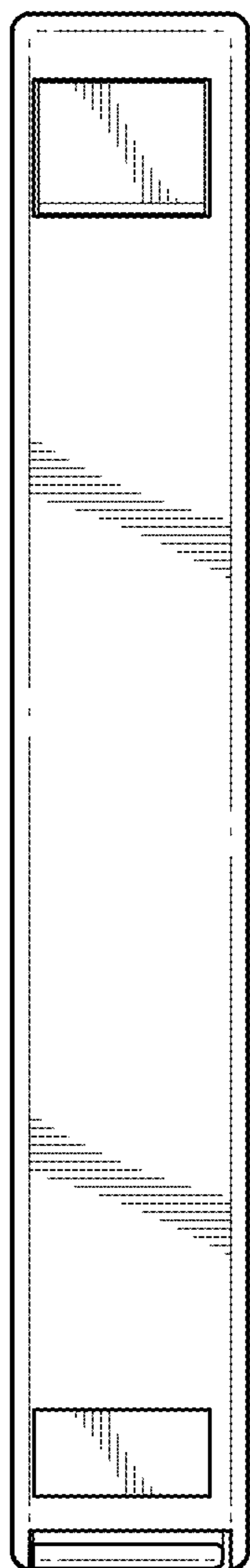


FIG. 4

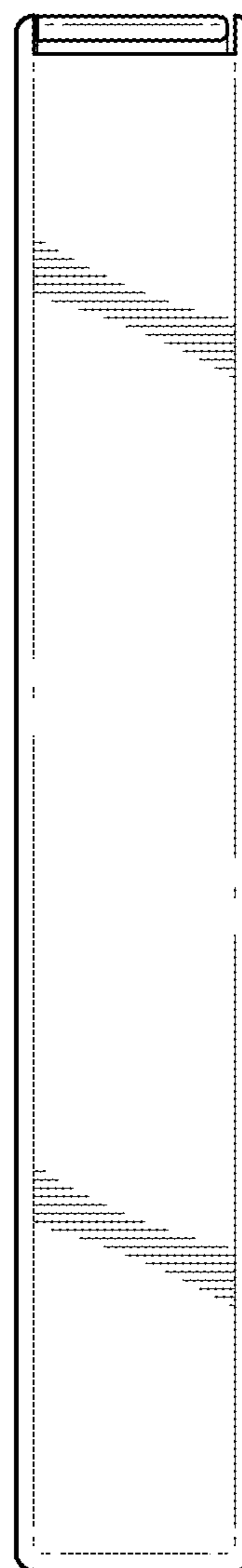


FIG. 5

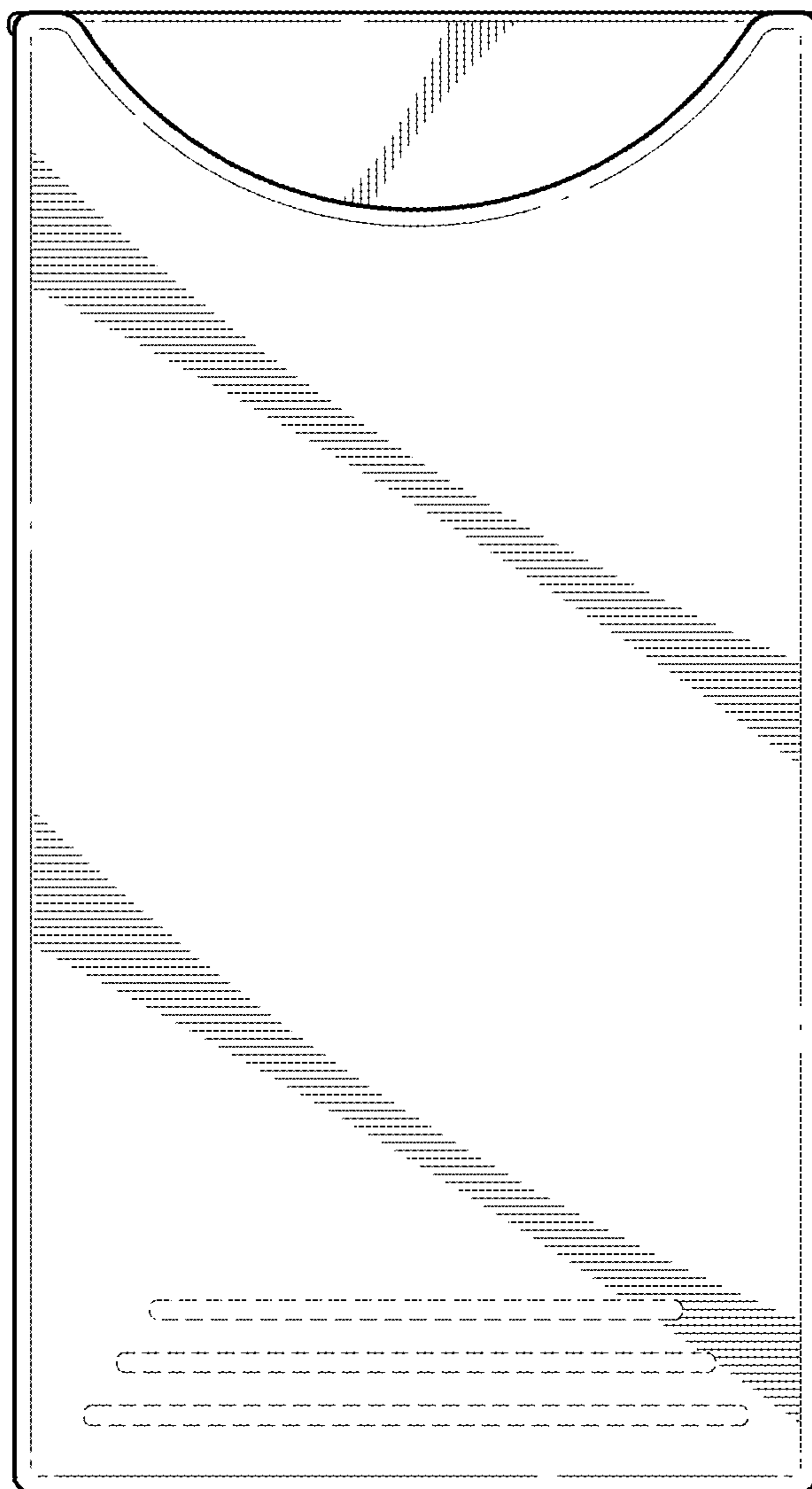


FIG. 6

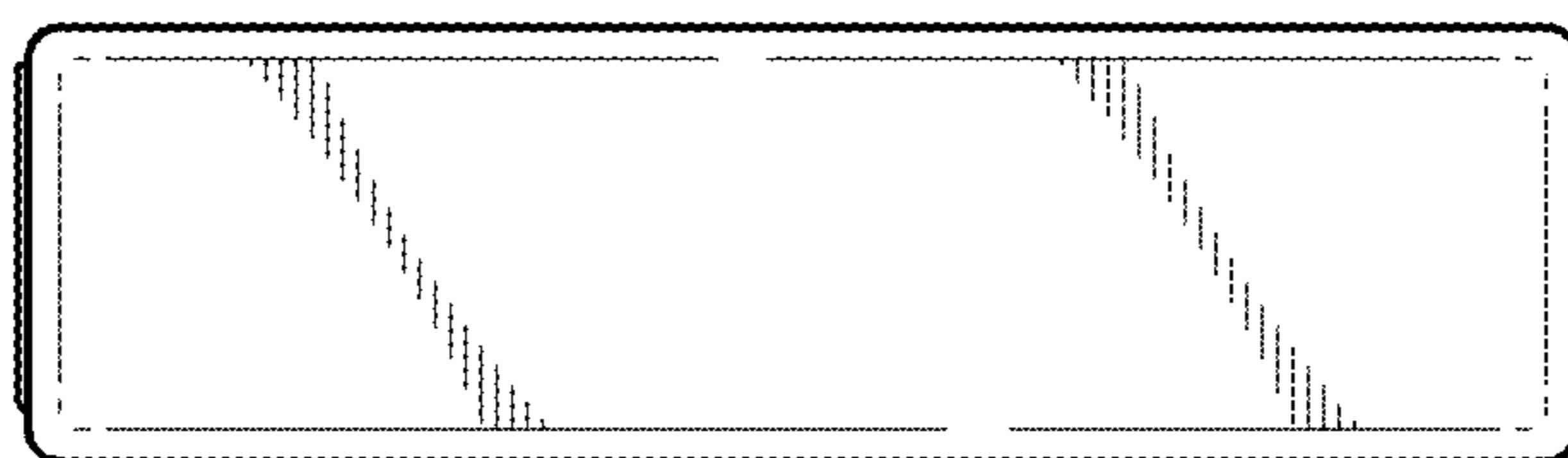


FIG. 7

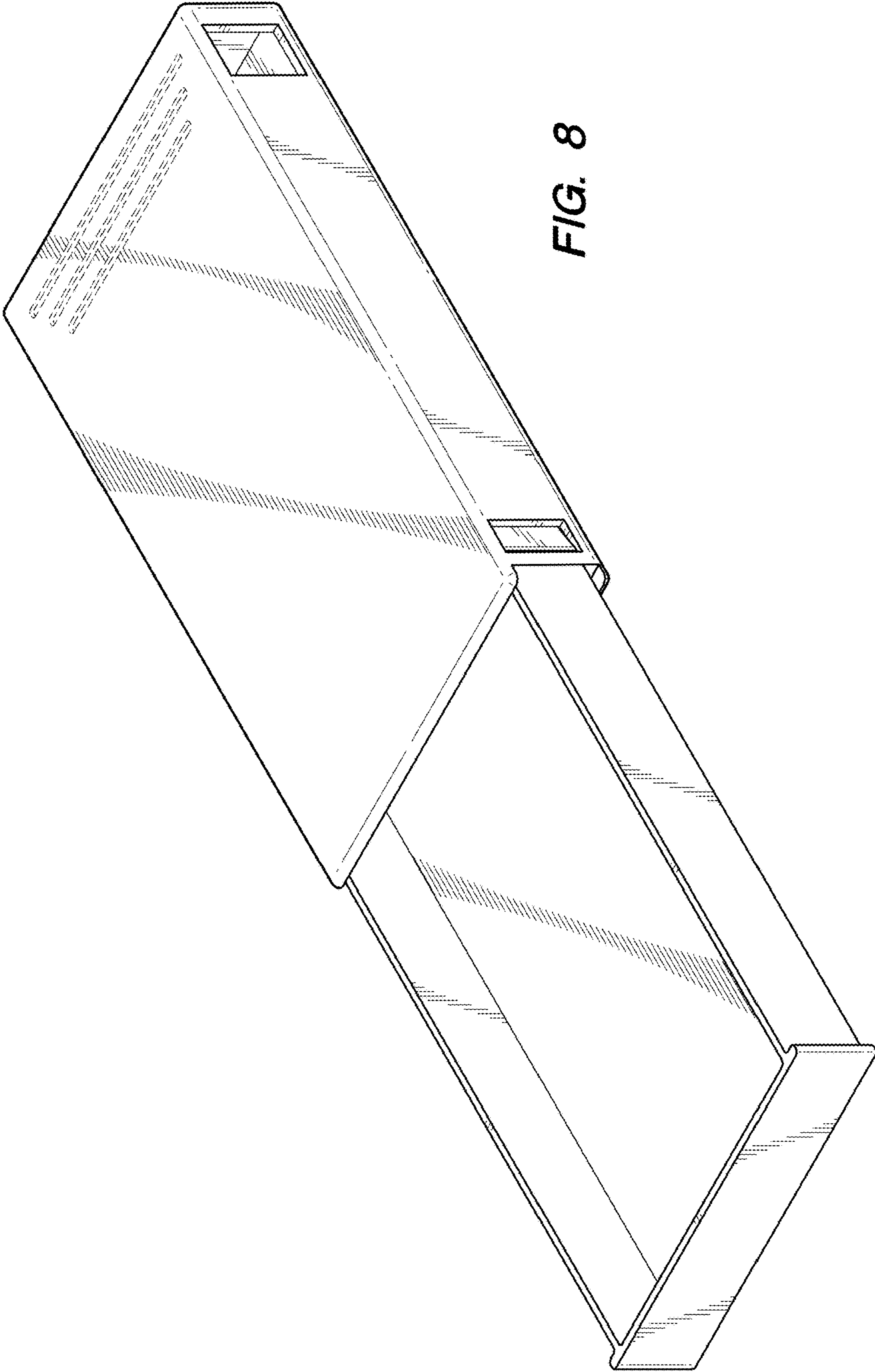


FIG. 8