



US00D878195S

(12) **United States Design Patent** (10) **Patent No.:** **US D878,195 S**
Liu (45) **Date of Patent:** **** Mar. 17, 2020**

- (54) **PLASTIC BOX**
- (71) Applicant: **Sha Liu**, Ku Zongqiao (CN)
- (72) Inventor: **Sha Liu**, Ku Zongqiao (CN)
- (**) Term: **15 Years**
- (21) Appl. No.: **29/669,942**
- (22) Filed: **Nov. 13, 2018**
- (51) **LOC (12) Cl.** **09-03**
- (52) **U.S. Cl.**
USPC **D9/420**
- (58) **Field of Classification Search**
USPC D9/420, 423, 443, 704, 454; D28/82, 84,
D28/66, 77; D3/273
CPC A24F 23/04
See application file for complete search history.

- D744,698 S * 12/2015 Kalyanpur D28/82
- D850,904 S * 6/2019 Hwang D9/420
- D853,036 S * 7/2019 Lee D28/82
- D853,037 S * 7/2019 Kim D28/84
- D857,996 S * 8/2019 Chen D28/82
- D858,308 S * 9/2019 Vega D9/704
- D859,143 S * 9/2019 Perdue D9/423
- D860,779 S * 9/2019 Sutton D9/420

* cited by examiner

Primary Examiner — Rhea Shields

(74) *Attorney, Agent, or Firm* — Law Offices of Steven W. Weinrieb

(57) **CLAIM**

The ornamental design for a plastic box, as shown and described.

DESCRIPTION

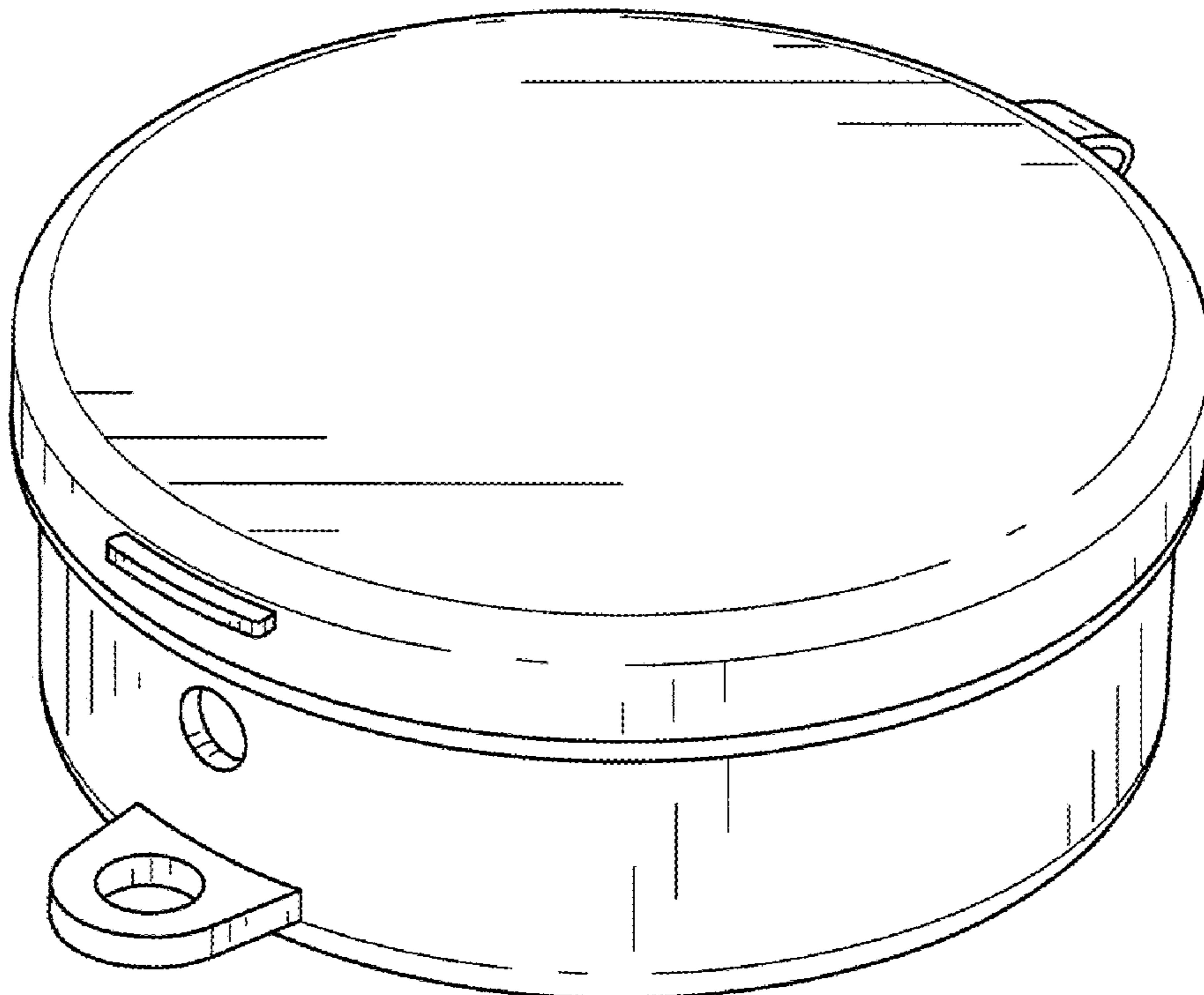
FIG. 1 is a front, right side top perspective view of the plastic box showing my new design;
 FIG. 2 is a rear, left side, bottom perspective view thereof;
 FIG. 3 is a top plan view thereof;
 FIG. 4 is a bottom plan view thereof;
 FIG. 5 is a left side elevational view thereof;
 FIG. 6 is a right side elevational view thereof;
 FIG. 7 is a rear elevational view thereof;
 FIG. 8 is a front elevational view thereof; and,
 FIG. 9 is a view with the cover of the plastic box shown in an open position.
 In FIG. 9, the broken lines are for the purpose of illustrating portions of the plastic box that form no part of the claimed design.

(56) **References Cited**

U.S. PATENT DOCUMENTS

- D369,905 S * 5/1996 Hunt D3/273
- D398,079 S * 9/1998 Denison D28/77
- D399,603 S * 10/1998 Hemsley, Jr. D28/66
- D442,338 S * 5/2001 Roman D28/82
- D463,628 S * 9/2002 Thorpe D28/82
- D468,058 S * 12/2002 Thorpe D28/82
- D621,547 S * 8/2010 Wirgler D28/82
- D622,003 S * 8/2010 Naughton D28/82
- D650,269 S * 12/2011 Berggren D9/423
- D664,840 S * 8/2012 Jones D9/423
- D676,745 S * 2/2013 MacNeill D9/443
- 8,869,980 B2 * 10/2014 Berggren A24F 23/04
206/256

1 Claim, 9 Drawing Sheets



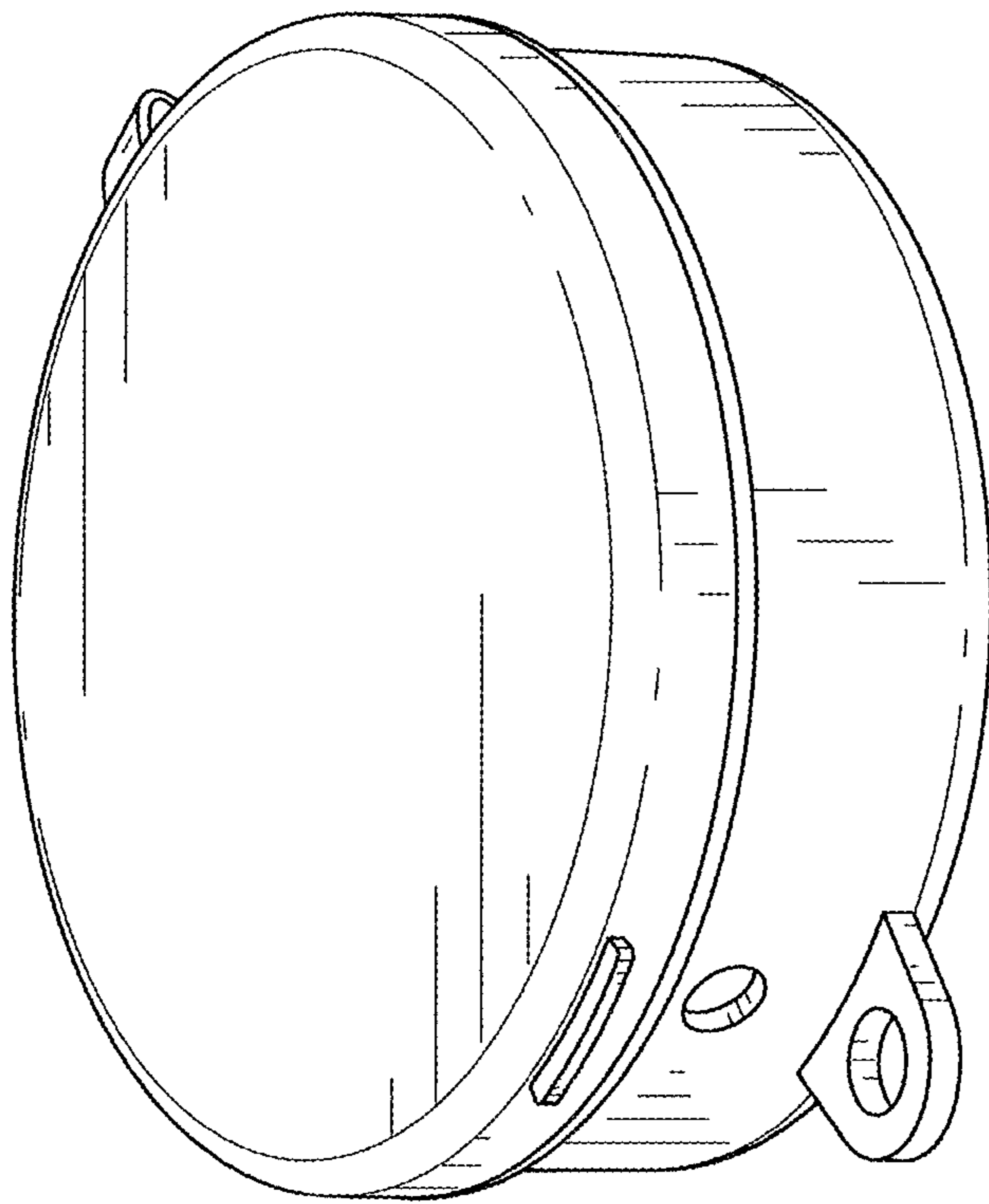


FIG. 1

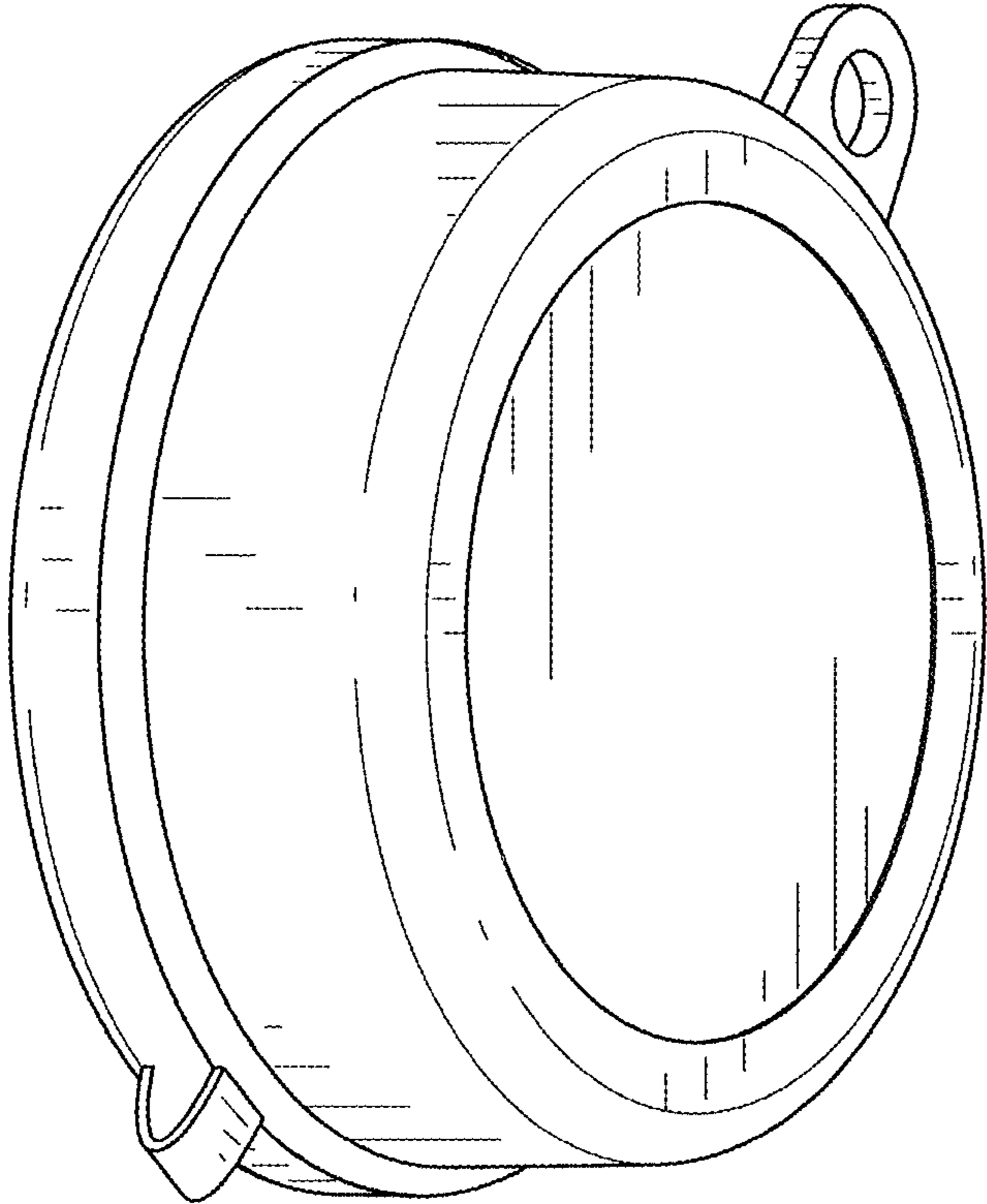


FIG. 2

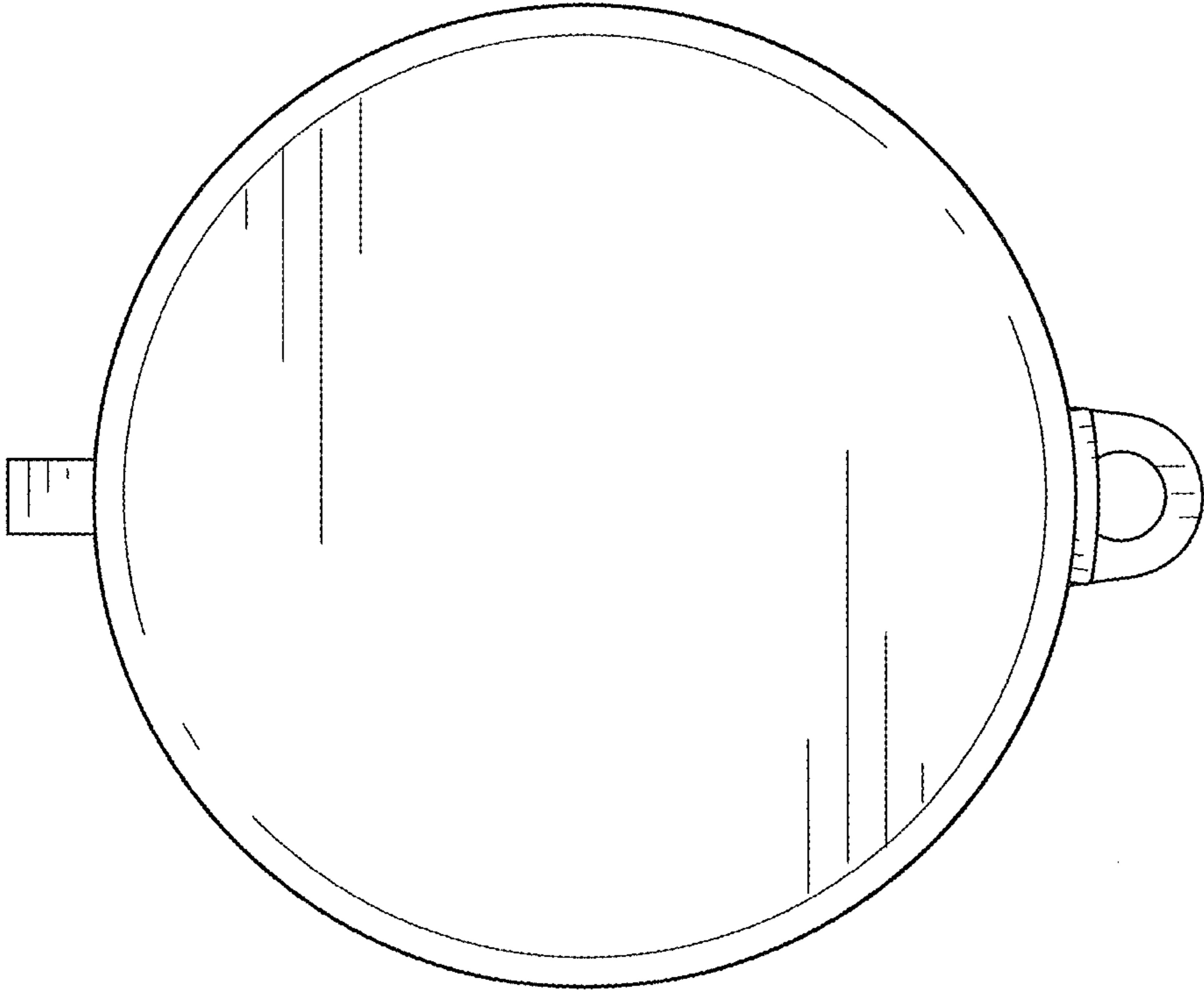


FIG. 3

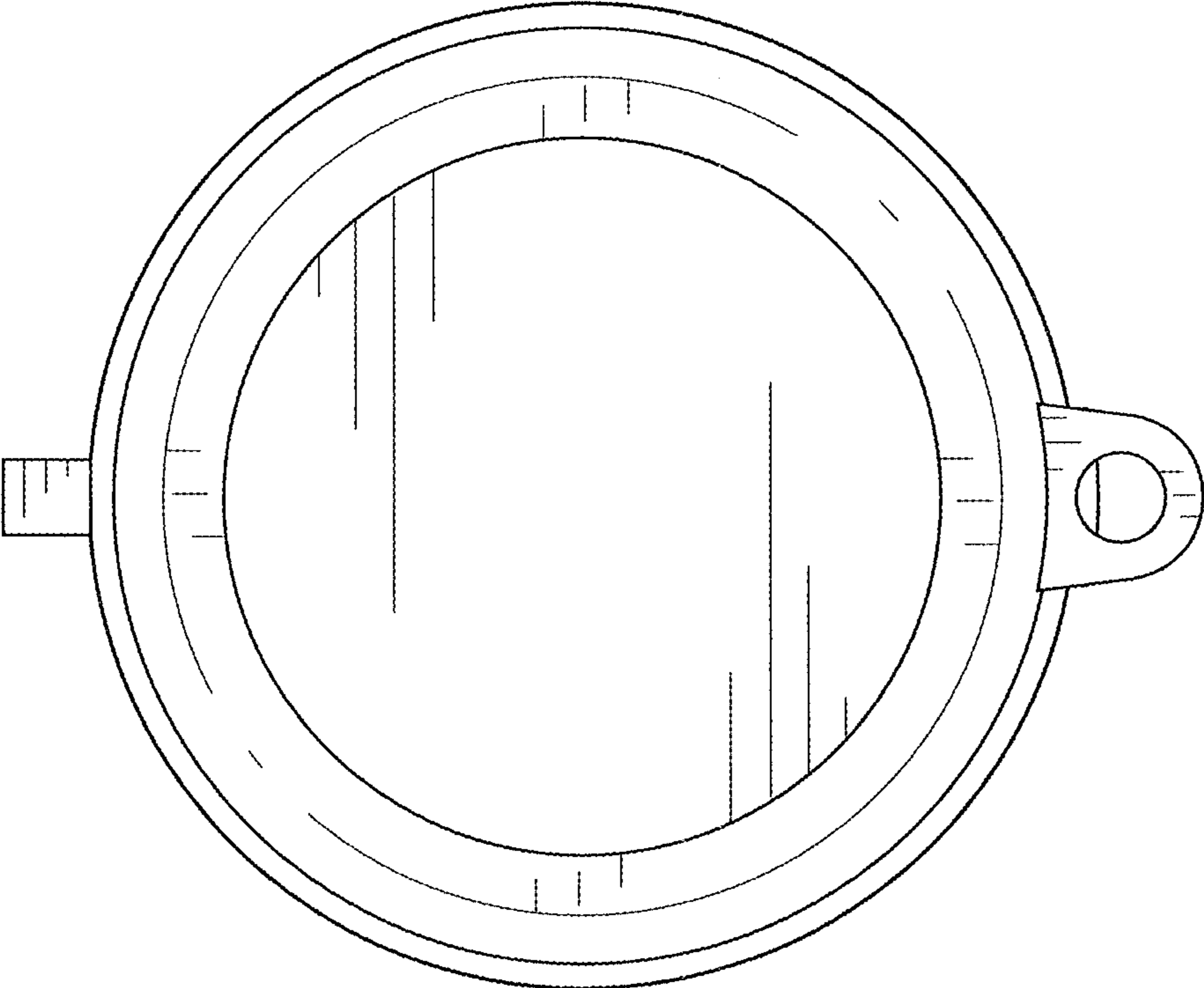


FIG. 4

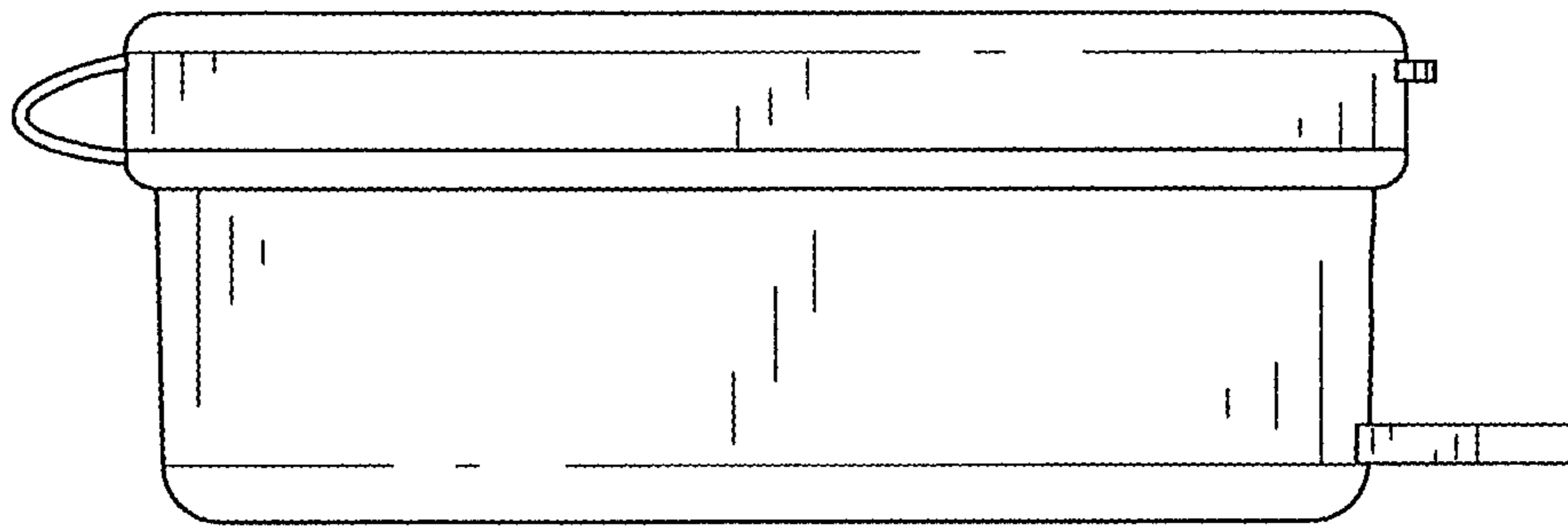


FIG. 5

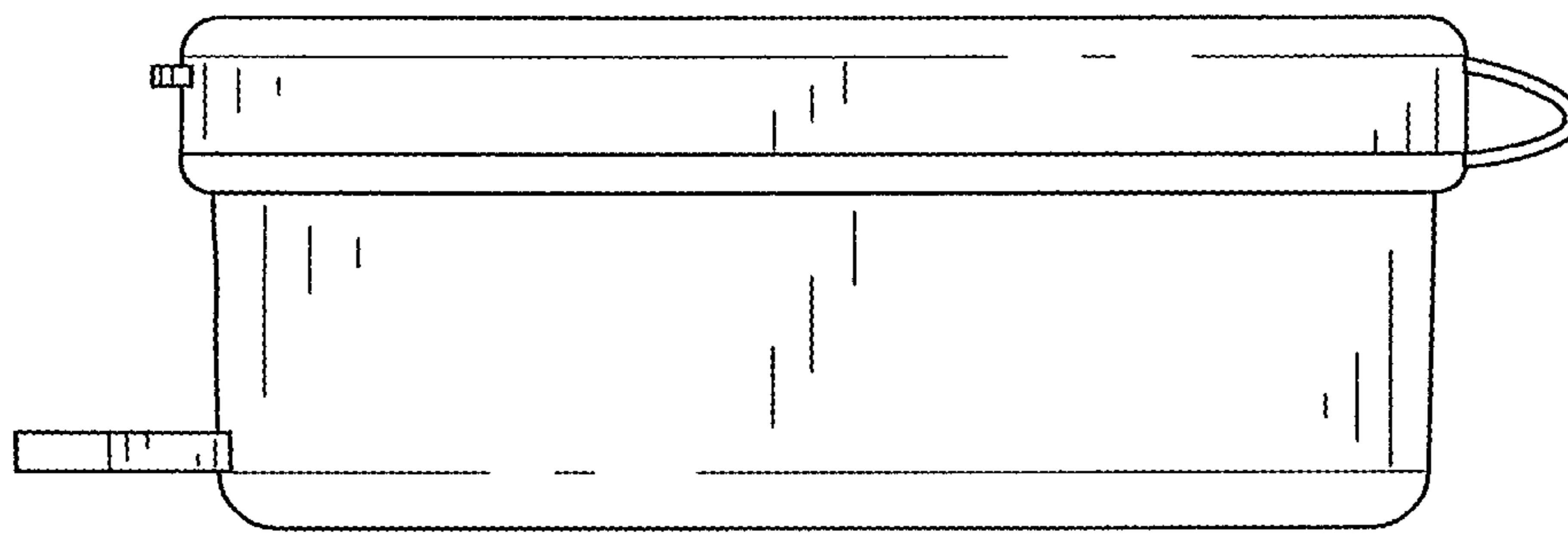


FIG. 6

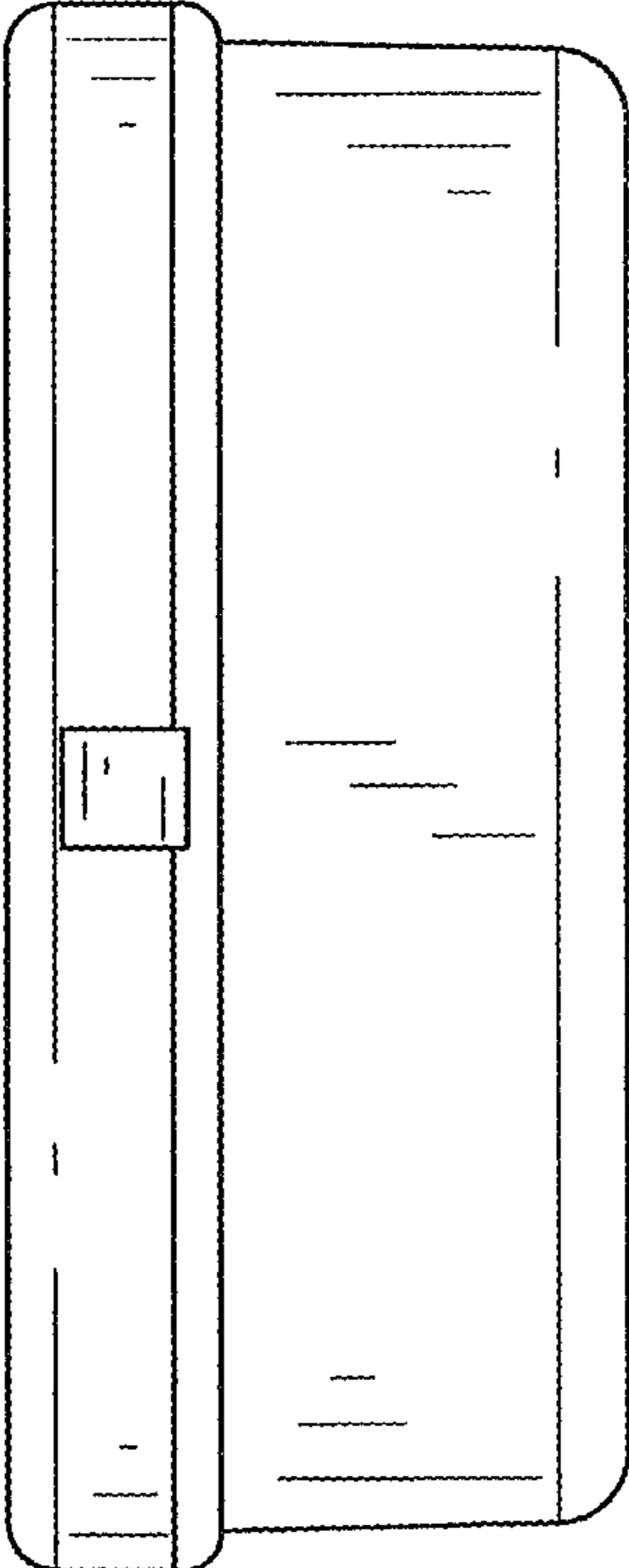


FIG. 7

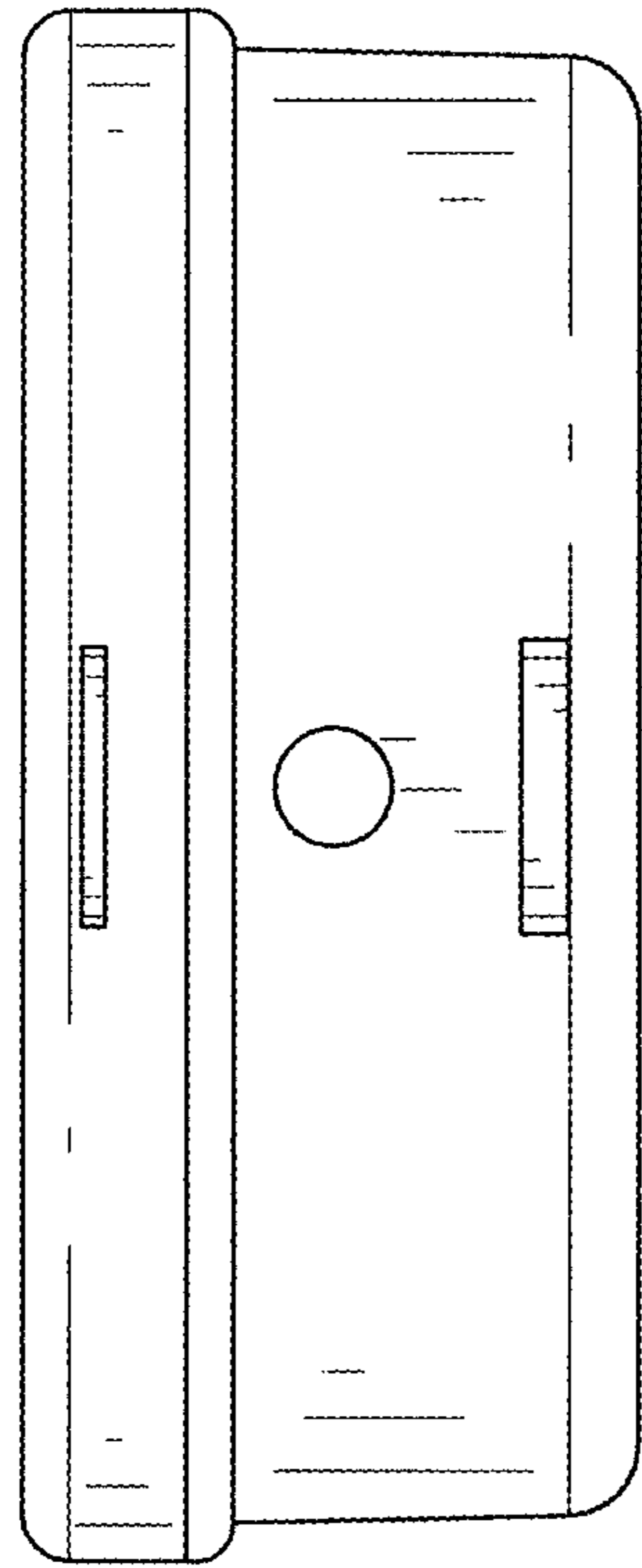


FIG. 8

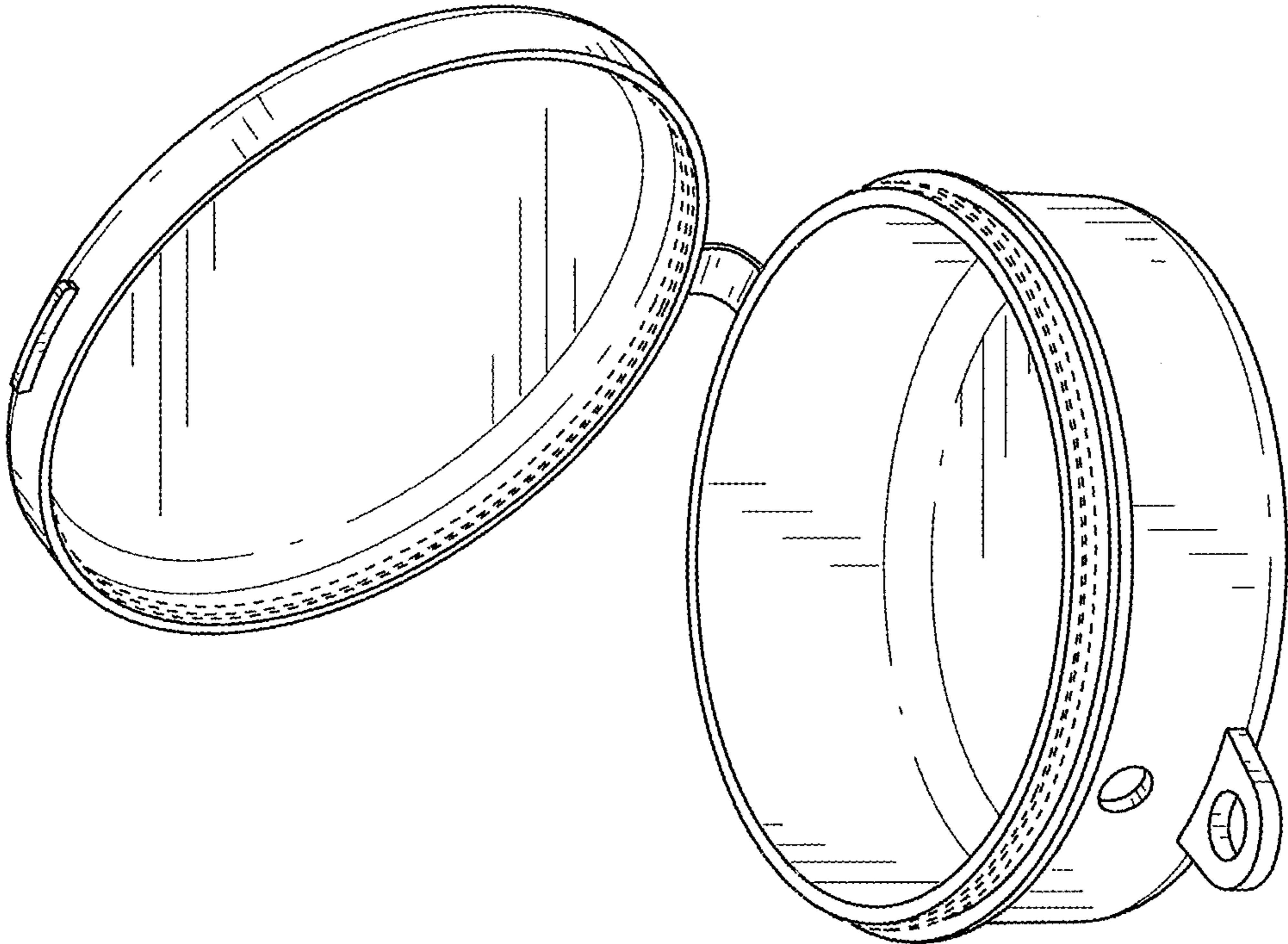


FIG. 9