



US00D878191S

(12) **United States Design Patent**
Kiyota

(10) **Patent No.:** **US D878,191 S**
(45) **Date of Patent:** **** Mar. 17, 2020**

- (54) **BAND CLIP**
- (71) Applicant: **PIOLAX, INC.**, Yokohama-shi (JP)
- (72) Inventor: **Hikaru Kiyota**, Yokohama (JP)
- (73) Assignee: **PIOLAX, INC.**, Yokohama-Shi, Kanagawa (JP)
- (**) Term: **15 Years**
- (21) Appl. No.: **29/614,851**
- (22) Filed: **Aug. 23, 2017**

5,131,613 A * 7/1992 Kamiya F16L 3/233
24/16 PB
D330,324 S * 10/1992 Solbeck D25/68
D334,337 S * 3/1993 Ito D8/394
D347,156 S * 5/1994 Starrett D29/120.2
(Continued)

Primary Examiner — Steven J Czyn
(74) *Attorney, Agent, or Firm* — McGinn IP Law Group, PLLC

- (30) **Foreign Application Priority Data**
Mar. 6, 2017 (JP) 2017-004485
- (51) **LOC (12) Cl.** **08-08**
- (52) **U.S. Cl.**
USPC **D8/394**
- (58) **Field of Classification Search**
USPC D8/349, 354, 356, 382, 383, 394, 395, D8/396
CPC Y10T 24/14; Y10T 24/1498; Y10T 24/21; Y10T 24/309; Y10T 24/3491; Y10T 24/39; Y10T 24/3916; Y10T 24/3956; Y10T 24/398; A44B 18/0046; F16B 2/08; B60R 16/0215
See application file for complete search history.

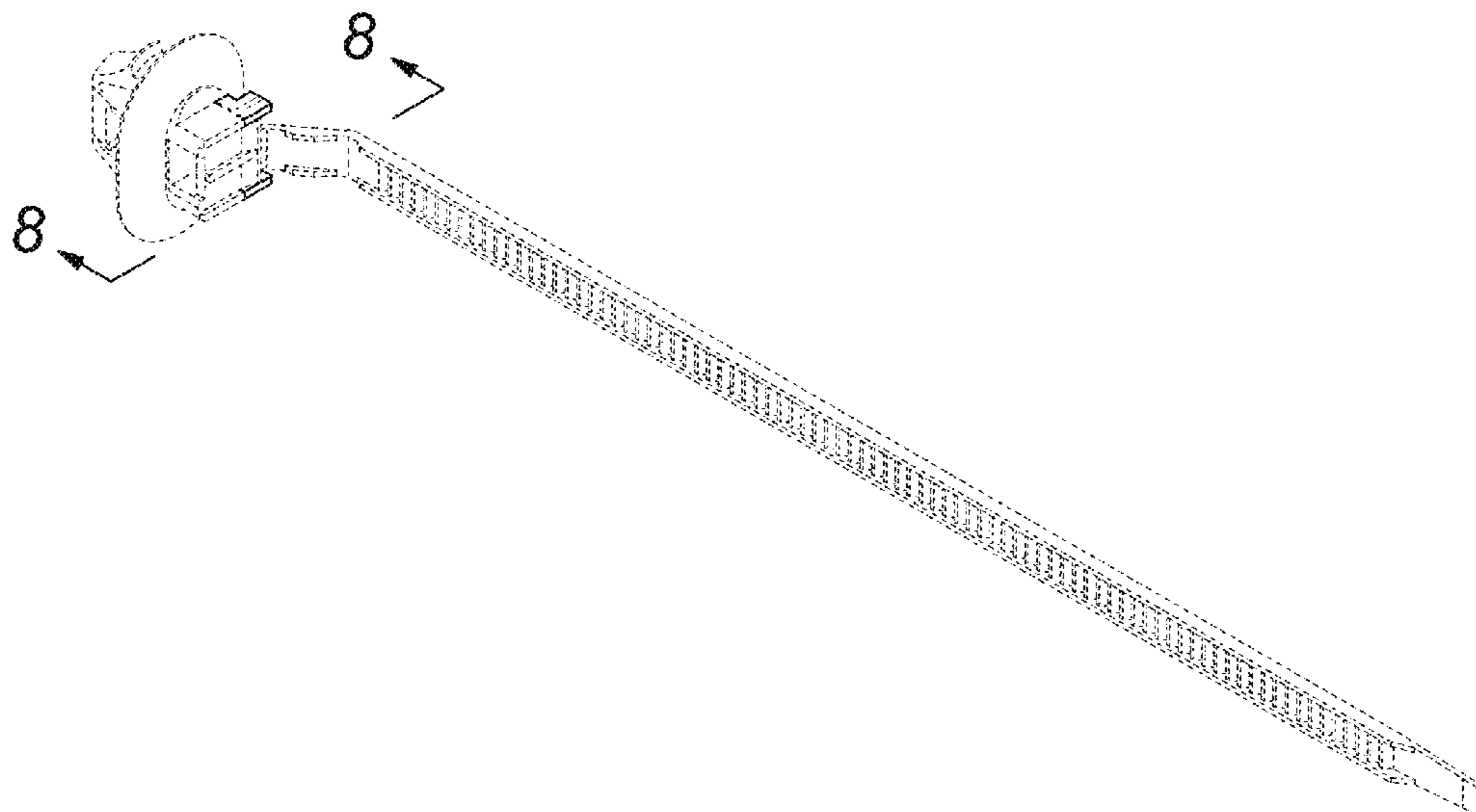
(57) **CLAIM**
The ornamental design for band clip, as shown and described.

DESCRIPTION

FIG. 1 is a perspective view of a band clip showing my design;
FIG. 2 is a front view thereof;
FIG. 3 is a rear view thereof;
FIG. 4 is a left side view thereof;
FIG. 5 is a right side view thereof;
FIG. 6 is a top view thereof;
FIG. 7 is a bottom view thereof;
FIG. 8 is an enlarged view taken along the line 8-8 in FIG. 1;
FIG. 9 is an enlarged view taken along the line 9-9 in FIG. 2;
FIG. 10 is an enlarged right side view thereof;
FIG. 11 is an enlarged view taken along the line 11-11 in FIG. 6;
FIG. 12 is a cross-sectional view taken along the line 12-12 in FIG. 9; and,
FIG. 13 is a cross-sectional view taken along the line 13-13 in FIG. 11.
The broken lines shown are included for the purpose of illustrating the unclaimed portions of a band clip and form no part of the claimed design.
The dashed lines which define the bounds of the claimed design form no part thereof.

- (56) **References Cited**
U.S. PATENT DOCUMENTS
D255,782 S * 7/1980 Forest D8/394
D256,438 S * 8/1980 Woods D8/394
D273,361 S * 4/1984 Suzuki D8/394
4,766,651 A * 8/1988 Kobayashi B60R 16/0215
24/16 PB
D298,914 S * 12/1988 Thomas D8/373
D305,099 S * 12/1989 Naruse D8/396
D305,977 S * 2/1990 Ono D8/382
D326,406 S * 5/1992 Anderson D8/394

1 Claim, 8 Drawing Sheets



(56)

References Cited

U.S. PATENT DOCUMENTS

D363,212 S * 10/1995 Hill D8/356
 D368,853 S * 4/1996 Liu D8/394
 D372,665 S * 8/1996 Kim D8/396
 5,601,261 A * 2/1997 Koike B60R 16/0215
 24/16 PB
 5,957,165 A * 9/1999 Watanabe B65B 13/027
 140/123.6
 D417,142 S * 11/1999 Kim D8/382
 D417,387 S * 12/1999 Kim D8/382
 D417,838 S * 12/1999 Kim D8/382
 D419,861 S * 2/2000 Khokhar D8/396
 D422,487 S * 4/2000 Khokhar D8/396
 D424,923 S * 5/2000 Lodi D8/396
 D444,054 S * 6/2001 Bernard D8/394
 D459,206 S * 6/2002 Caveney D8/396
 D520,865 S * 5/2006 Wakabayashi D8/396
 D530,600 S * 10/2006 Krisel D8/396
 D534,904 S * 1/2007 Crawford D14/238
 D541,142 S * 4/2007 Geiger D8/383
 7,229,052 B2 * 6/2007 Takeuchi F16B 21/088
 24/16 PB
 7,316,375 B2 * 1/2008 Wakabayashi B60R 16/0215
 24/16 PB
 D570,673 S * 6/2008 Geiger D8/394
 D588,447 S * 3/2009 Wakabayashi D8/394
 D596,933 S * 7/2009 Banno D8/396
 D624,811 S * 10/2010 Wakabayashi D8/396
 7,819,365 B2 * 10/2010 Elsner F16L 3/233
 24/16 PB
 D634,187 S * 3/2011 Kozel D8/396
 7,934,297 B2 * 5/2011 Williams B65D 63/1072
 24/16 PB
 8,113,756 B2 * 2/2012 Wakabayashi B60R 16/0215
 411/508
 8,281,461 B2 * 10/2012 Geiger B65D 63/14
 24/16 PB
 8,286,924 B2 * 10/2012 Sano F16B 21/086
 174/72 A
 8,407,863 B2 * 4/2013 Cheng B65D 63/1072
 24/16 PB
 8,479,361 B2 * 7/2013 Every B65D 63/1063
 24/16 PB
 8,516,660 B2 * 8/2013 Ku B65D 63/1072
 24/16 PB
 8,578,565 B2 * 11/2013 Hienekamp B65D 63/1072
 24/16 PB
 D698,631 S * 2/2014 Wang D8/383
 D698,632 S * 2/2014 Wang D8/383
 D698,633 S * 2/2014 Adams D8/383
 D701,453 S * 3/2014 Wang D8/383

8,726,468 B2 * 5/2014 Dyer B65D 63/1063
 24/16 PB
 8,899,532 B2 * 12/2014 Tanaka F16B 21/086
 24/16 PB
 8,914,952 B2 * 12/2014 Wakabayashi F16B 37/0842
 24/457
 8,918,964 B2 * 12/2014 Iwahara B60R 16/0215
 24/16 PB
 D721,951 S * 2/2015 Williams D8/396
 8,950,713 B2 * 2/2015 Ogasawara B60R 11/00
 24/16 PB
 D723,361 S * 3/2015 Adams D8/383
 D729,044 S * 5/2015 Asai D8/356
 9,021,665 B2 * 5/2015 Chen B65D 63/1081
 24/17 A
 D732,945 S * 6/2015 Asai B65D 63/1063
 D8/356
 D739,714 S * 9/2015 Geiger D8/356
 D741,691 S * 10/2015 Adams D8/356
 D751,888 S * 3/2016 Sakamoto D8/383
 9,309,033 B2 * 4/2016 Dorsey B65D 63/00
 D761,642 S * 7/2016 Nagayasu D8/383
 D769,704 S * 10/2016 Nitta D8/387
 D776,516 S * 1/2017 Geiger D8/356
 D778,148 S * 2/2017 Iwahara D8/383
 D778,710 S * 2/2017 Nagayasu D8/356
 D779,314 S * 2/2017 Adams D8/383
 D779,924 S * 2/2017 Nagayasu D8/356
 D781,136 S * 3/2017 Nagayasu D8/383
 D781,692 S * 3/2017 Lomax D8/394
 9,682,806 B2 * 6/2017 Zantout B65D 63/1018
 D800,539 S * 10/2017 Geiger D8/356
 9,802,743 B2 * 10/2017 Foreman F16L 3/222
 D803,031 S * 11/2017 Kato D8/356
 D809,373 S * 2/2018 Lomax D8/394
 9,896,252 B2 * 2/2018 Kato B65D 63/1072
 9,914,412 B2 * 3/2018 Nakagawa B65D 63/1072
 D818,802 S * 5/2018 Iwahara D8/356
 D820,667 S * 6/2018 Sugiyama D8/356
 D835,495 S * 12/2018 Votel D8/356
 D840,788 S * 2/2019 Geiger D8/356
 D844,416 S * 4/2019 Dyer B65D 63/10
 D8/356
 10,308,406 B2 * 6/2019 Koike B65D 63/1027
 D865,506 S * 11/2019 King D8/394
 10,472,146 B2 * 11/2019 Abrahams B65D 63/1081
 2003/0075647 A1 * 4/2003 Takenaga B60R 16/0215
 248/71
 2006/0239796 A1 * 10/2006 Franks F16B 21/084
 411/455
 2007/0266531 A1 * 11/2007 Krisel B65D 63/1072
 24/16 PB

* cited by examiner

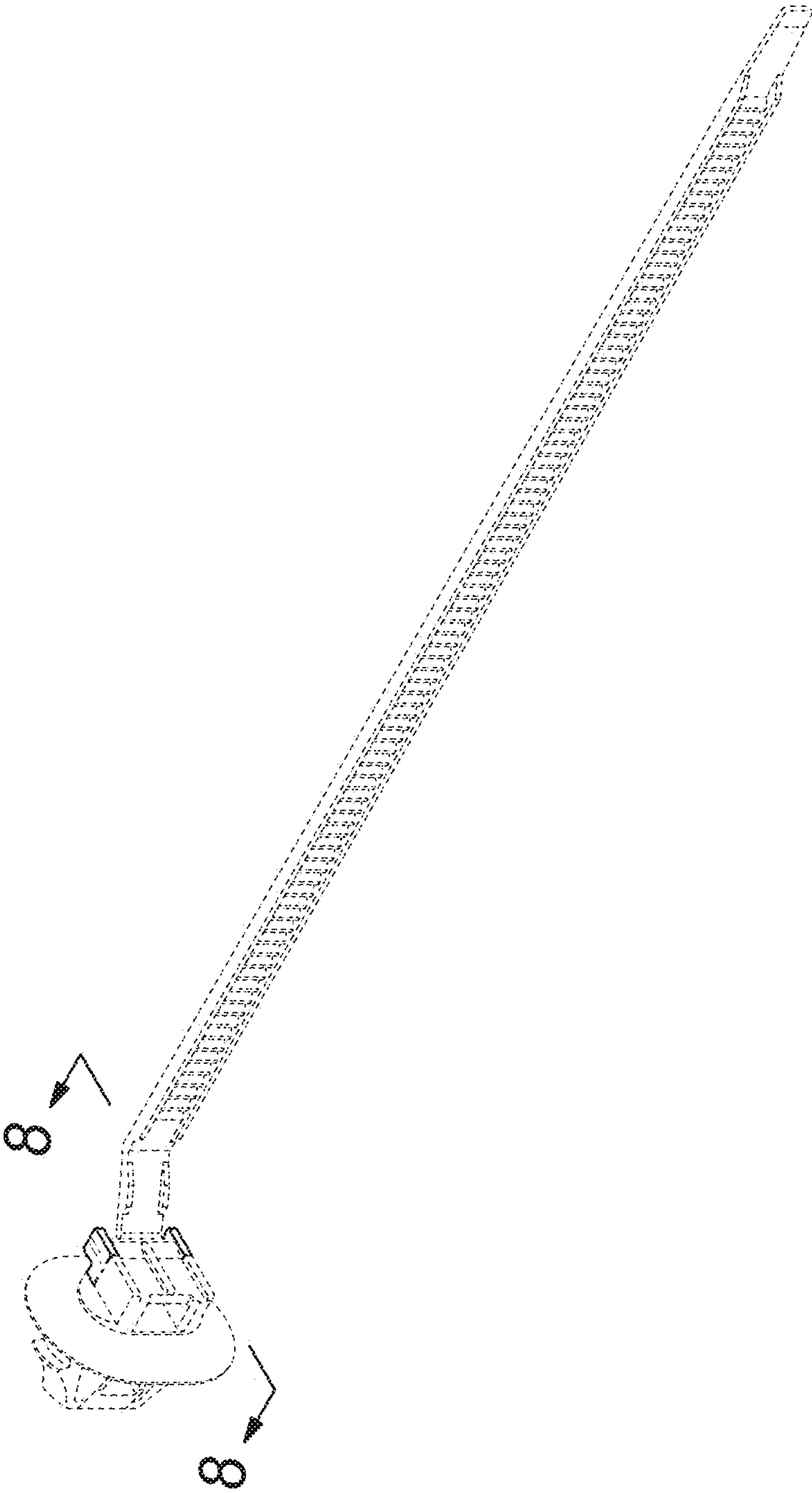


FIG. 1

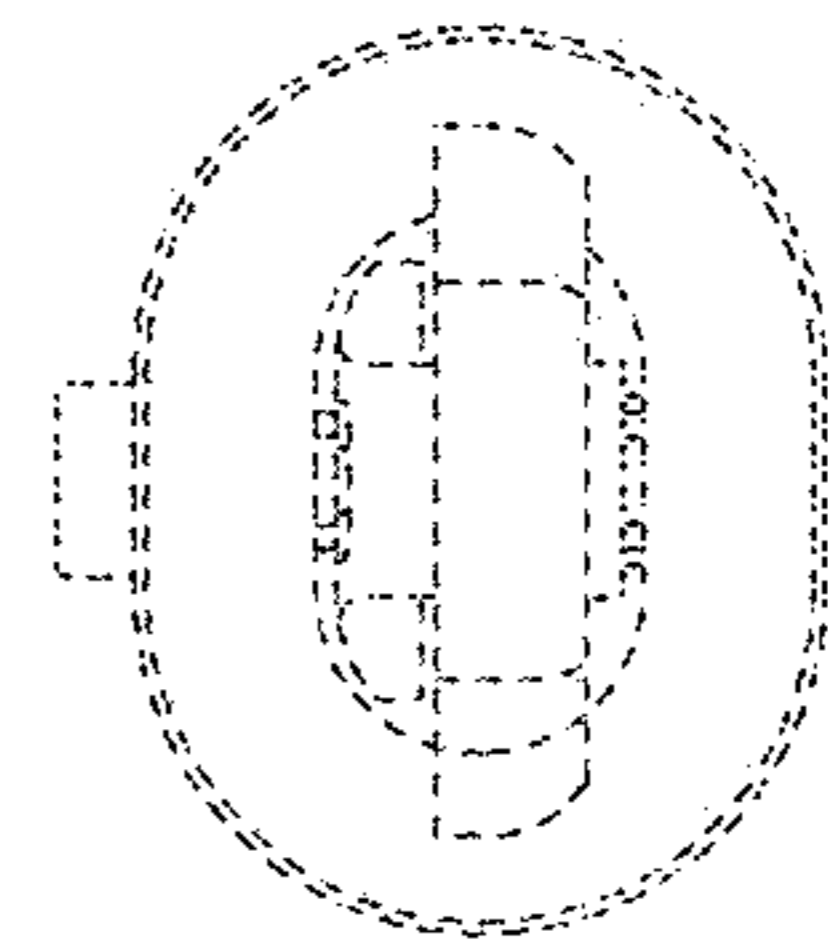
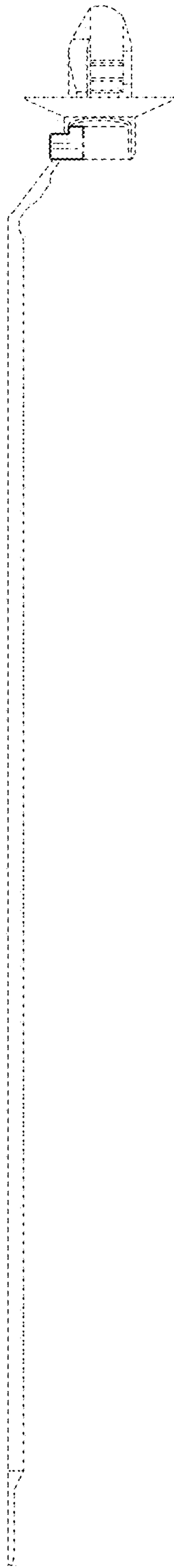
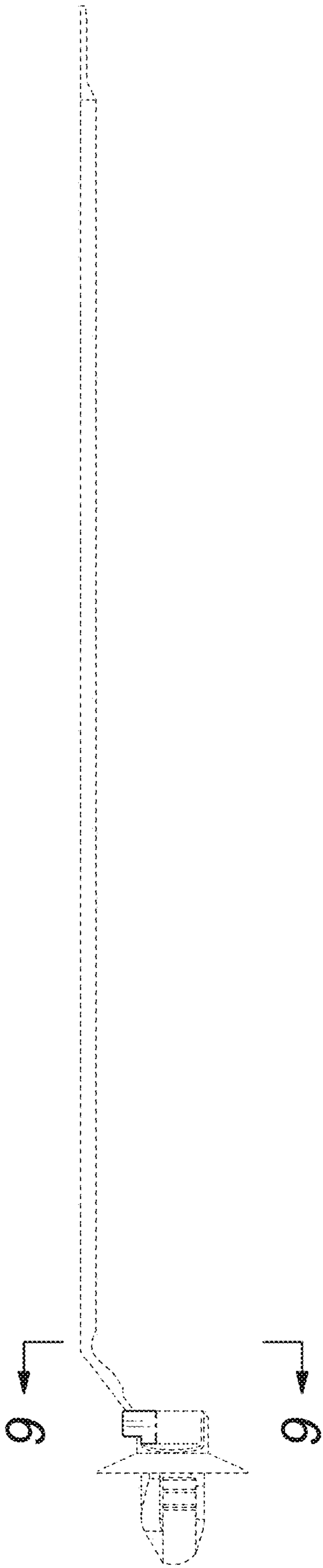


FIG. 4

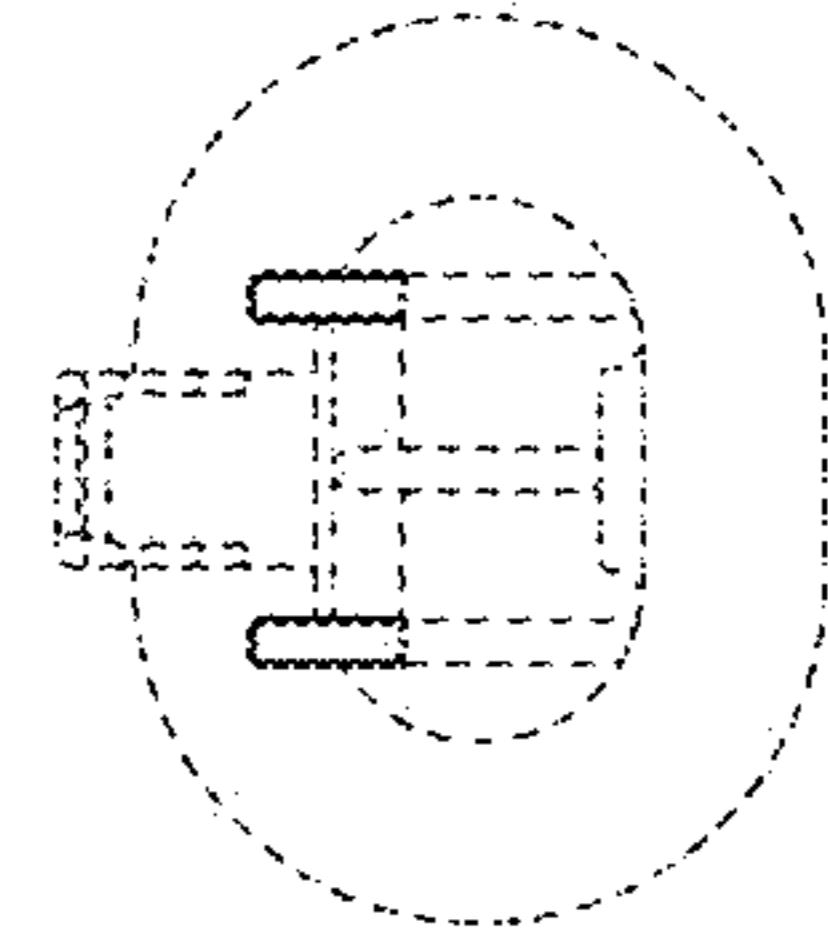


FIG. 5

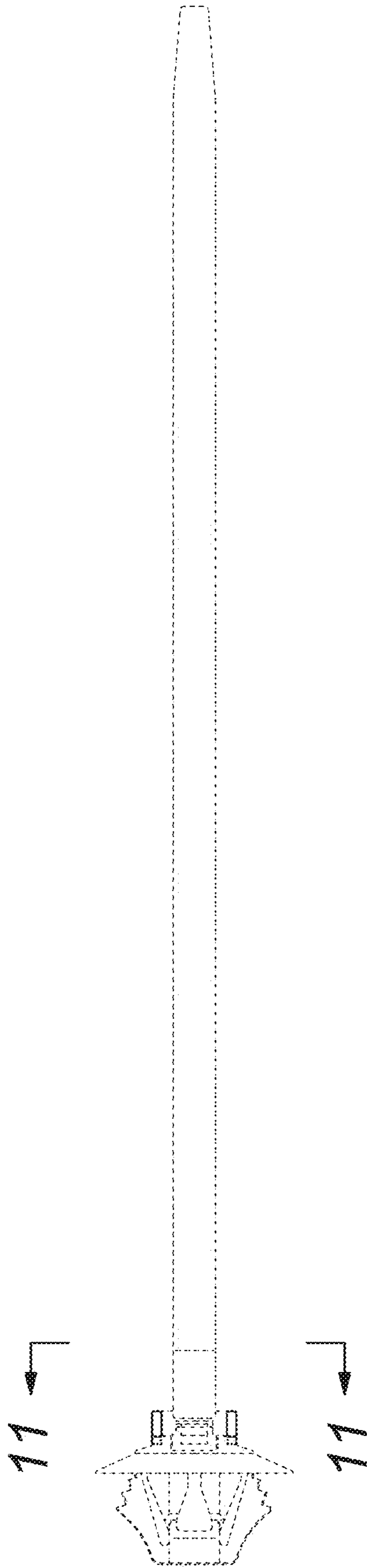


FIG. 6

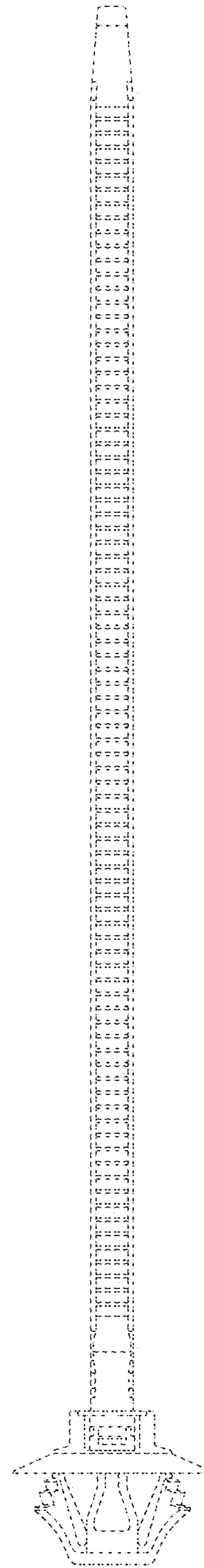


FIG. 7

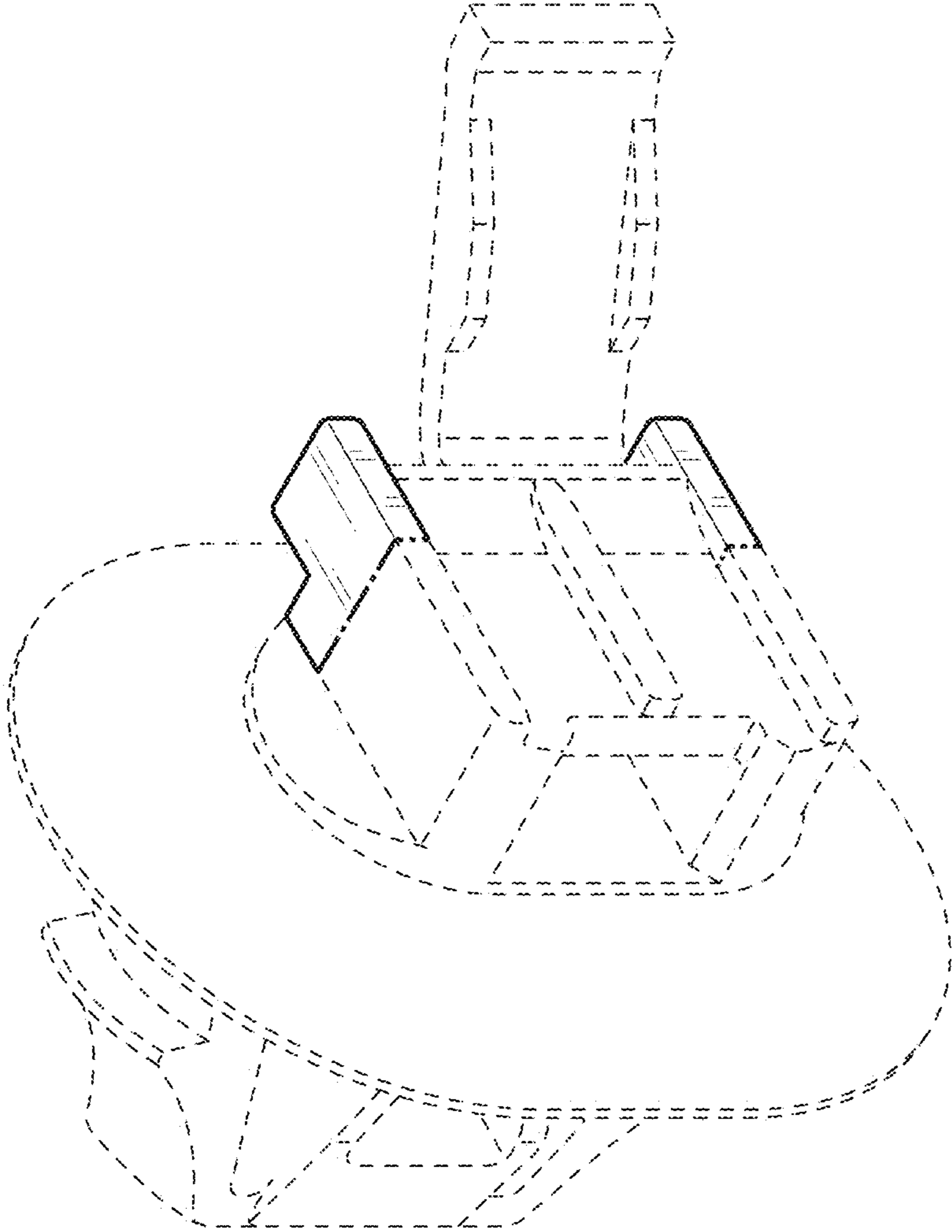


FIG. 8

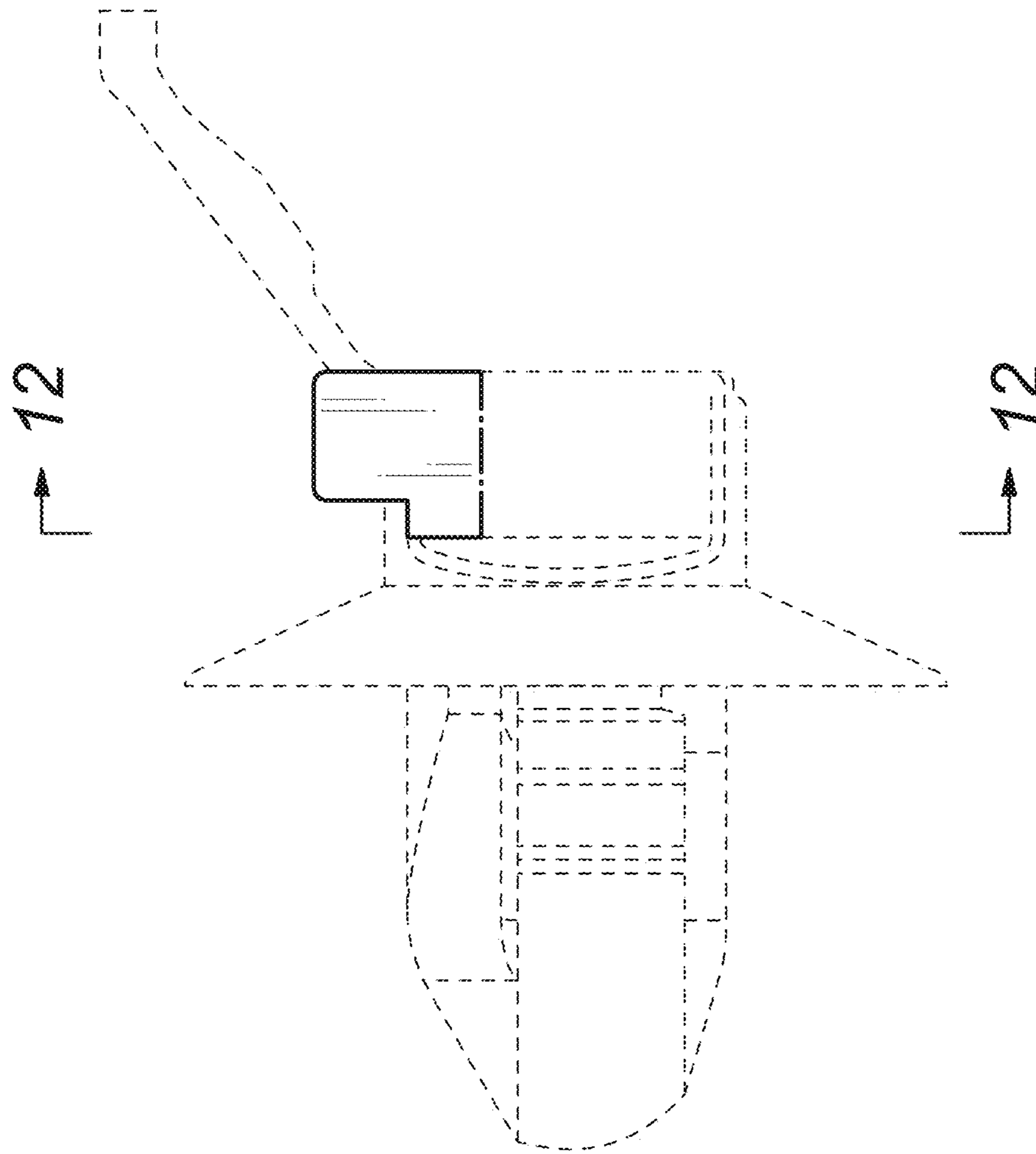


FIG. 9

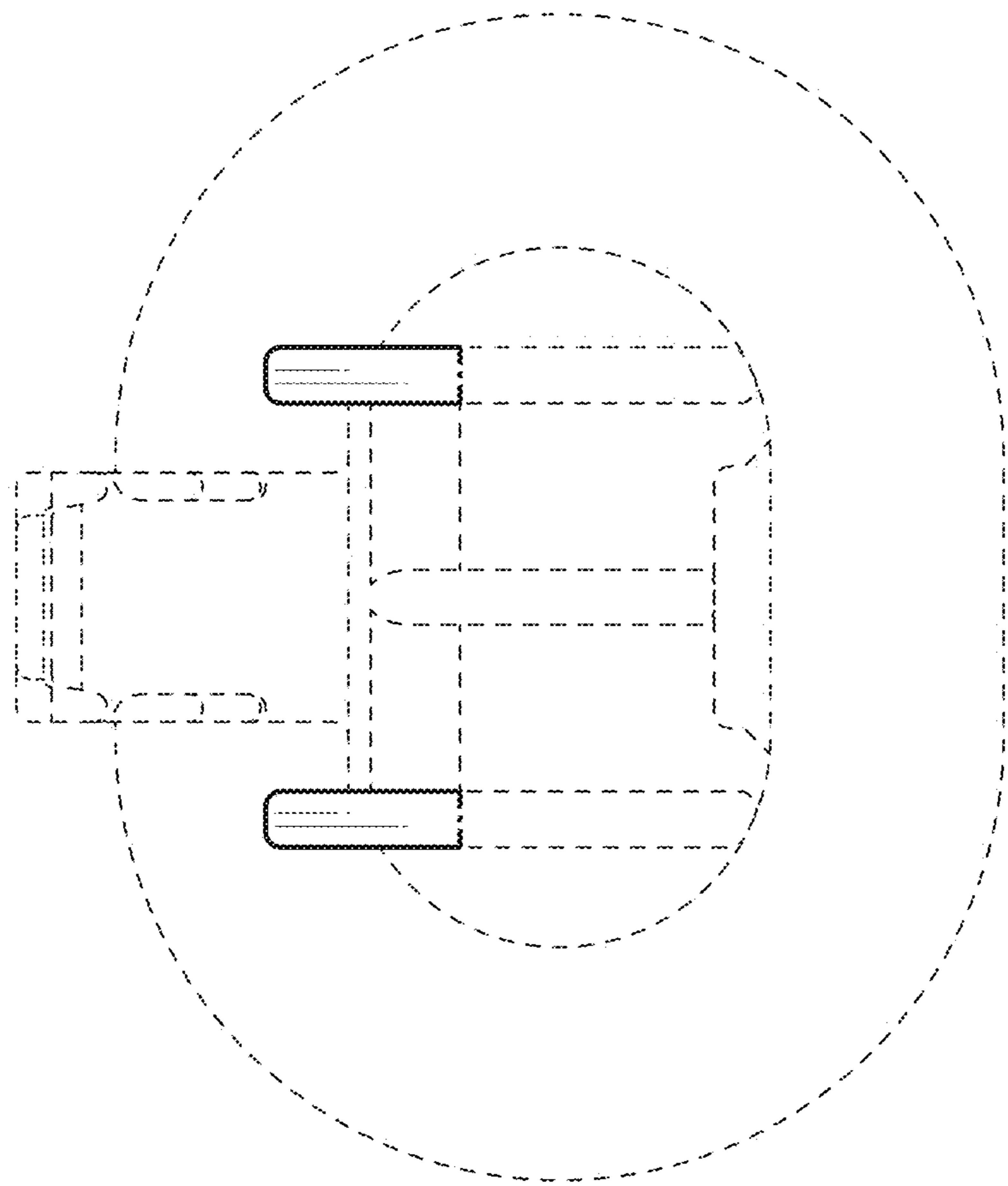


FIG. 10

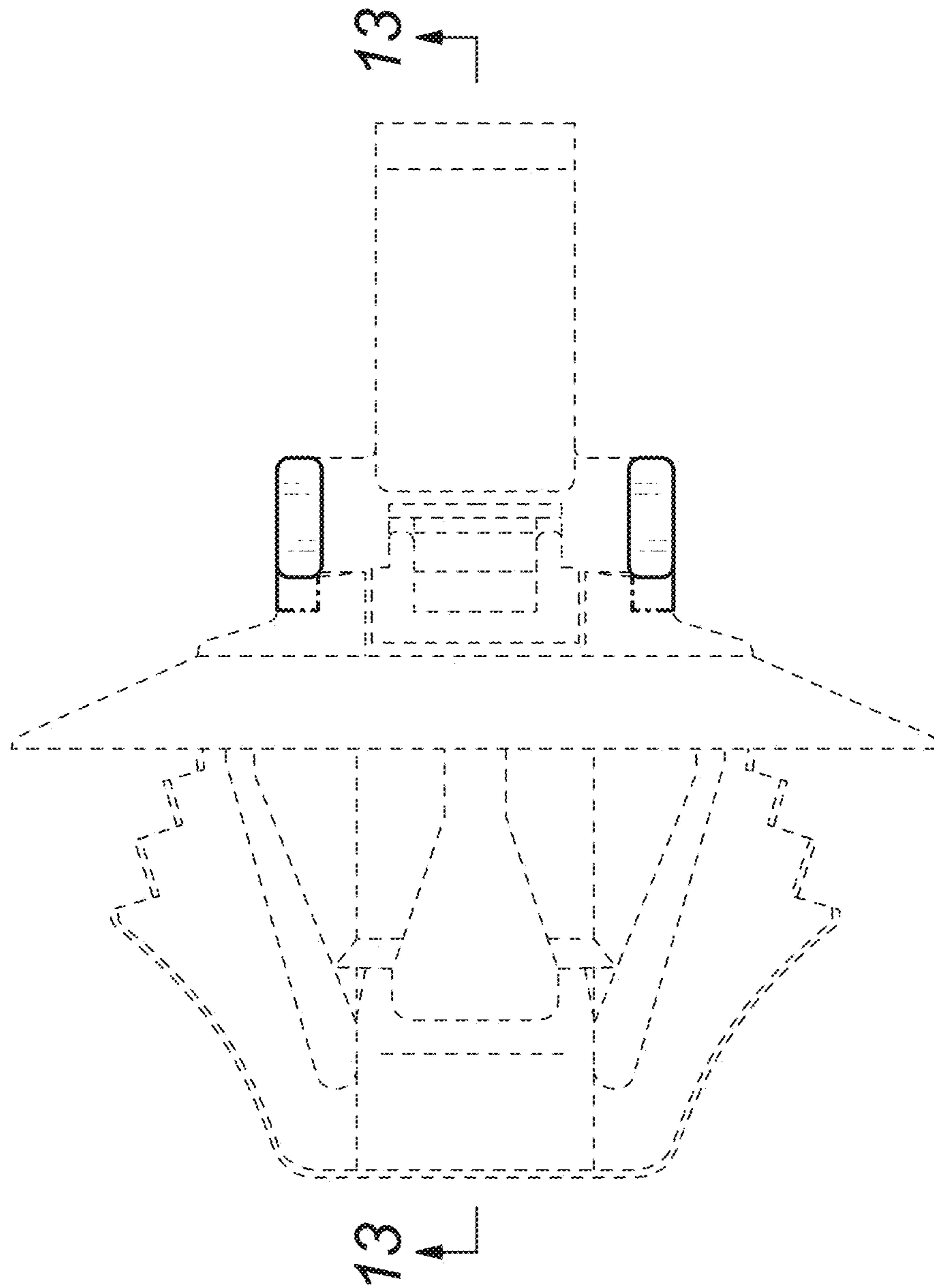


FIG. 11

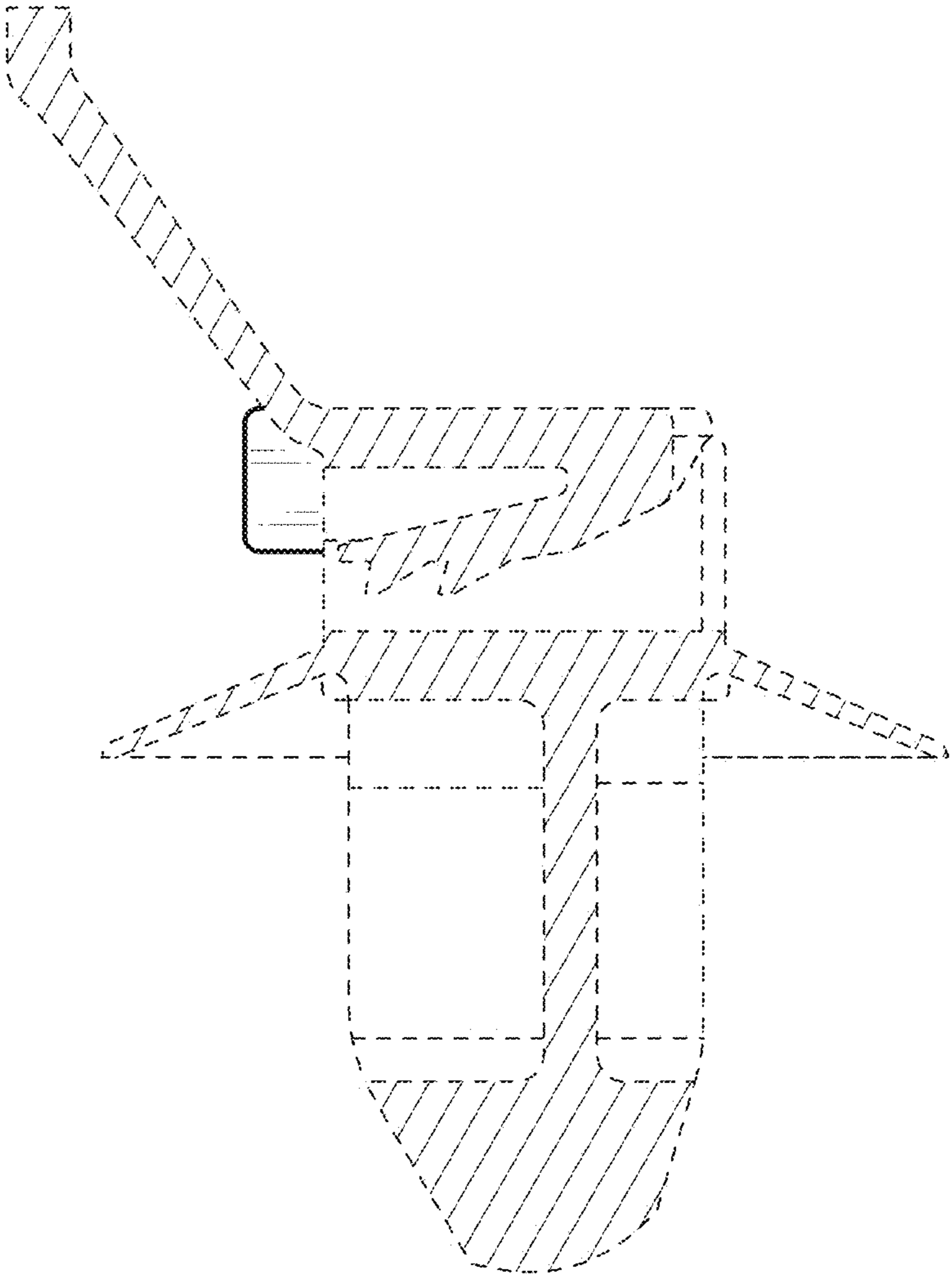


FIG. 12

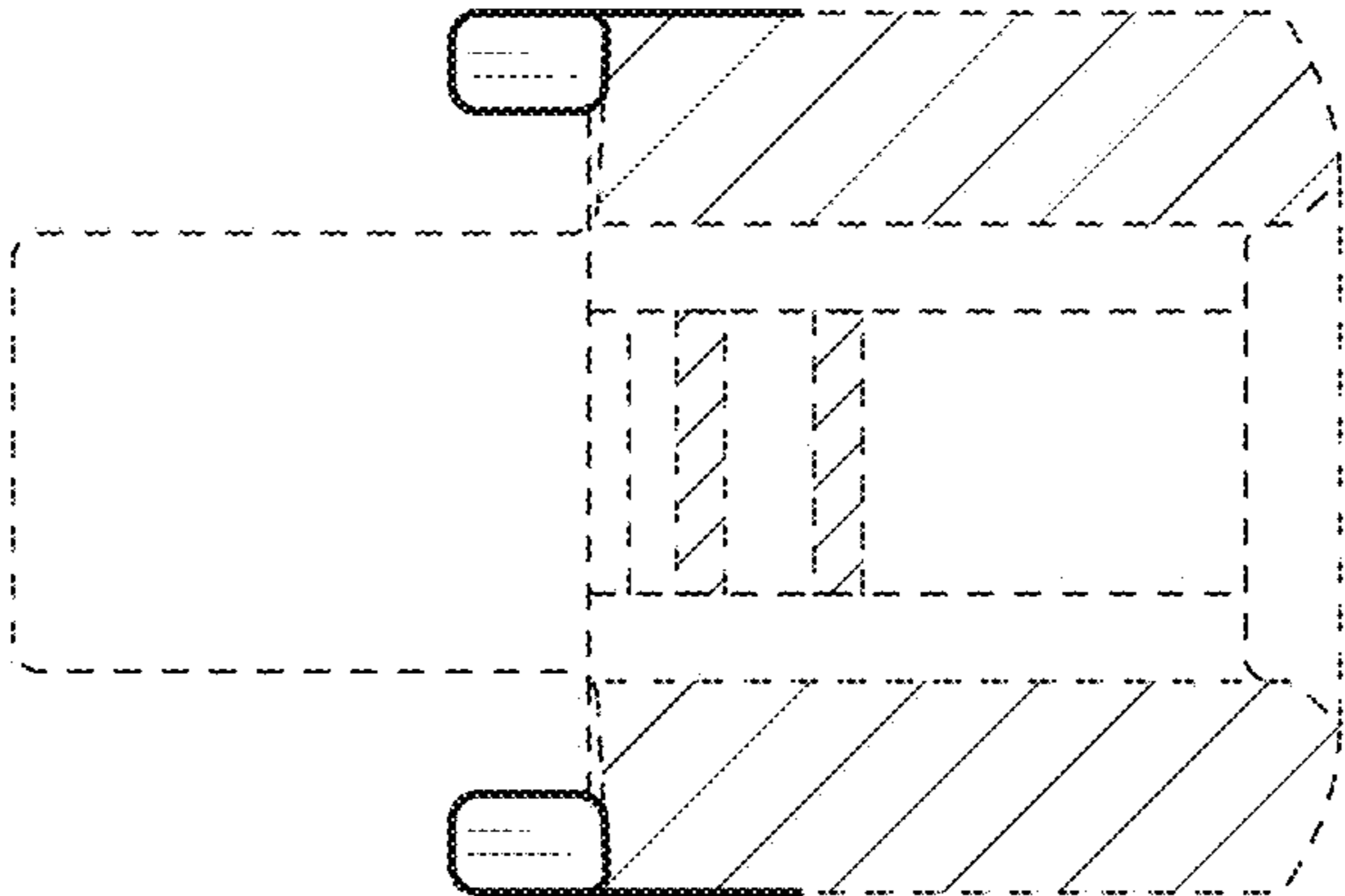


FIG. 13