



US00D878190S

(12) **United States Design Patent** (10) **Patent No.:** **US D878,190 S**
Nolfi et al. (45) **Date of Patent:** **** Mar. 17, 2020**

(54) **SINGLE POST RETAINING MEMBER** 2,634,775 A * 4/1953 Unsinger B25D 3/00
30/167

(71) Applicant: **ADVANCED F.M.E. PRODUCTS, INC., Mentor, OH (US)** 3,618,809 A 11/1971 Martino
3,726,319 A 4/1973 Patterson
4,060,100 A 11/1977 Miller et al.
4,069,852 A 1/1978 Lofberg

(72) Inventors: **Thomas J. Nolfi, Chardon, OH (US); Mario M. Nolfi, Concord Township, OH (US)** 4,142,371 A 3/1979 Mayfield
4,184,515 A 1/1980 Streich
4,286,629 A 9/1981 Streich
4,328,904 A 5/1982 Iverson
4,423,754 A 1/1984 Carter, Jr.
4,462,430 A 7/1984 Anthony et al.

(73) Assignee: **ADVANCED F.M.E. PRODUCTS, INC., Mentor, OH (US)** 4,549,580 A 10/1985 Freeman
4,612,961 A 9/1986 Vetter
4,762,151 A 8/1988 Kinnan
4,871,597 A 10/1989 Hobson
4,964,438 A 10/1990 Welty
4,984,322 A 1/1991 Cho et al.
5,164,575 A 11/1992 Neeley et al.
5,197,605 A 3/1993 Hampton

(**) Term: **15 Years**

(21) Appl. No.: **29/608,026**

(22) Filed: **Jun. 19, 2017**

(51) **LOC (12) Cl.** **08-05**

(52) **U.S. Cl.**
USPC **D8/382**

(58) **Field of Classification Search**
USPC ... D8/20, 23, 25, 41, 47, 54, 55, 58, 61, 64,
D8/66, 70, 86, 98, 99, 652, 366, 376,
D8/382-385, 387, 393, 397; D7/693,
D7/394, 372, 376, 378, 381, 383, 384,
D7/385; D15/19, 21, 29, 121, 131, 132,
D15/133, 138, 139, 140
CPC B25D 3/00; B25D 17/02; B25D 2250/111;
B25D 2211/003; B25D 16/00; E21B
10/52; E21B 10/16; E21B 10/567; C03B
23/047; C03B 23/0496; F02C 7/00; F16L
55/1141; F16L 57/005; F05D 2230/00
See application file for complete search history.

(56) **References Cited**
U.S. PATENT DOCUMENTS

798,031 A	8/1905	Gherky
1,493,501 A	5/1924	Rice
2,245,887 A	6/1941	Wikander
2,367,480 A	1/1945	Eardley

(Continued)

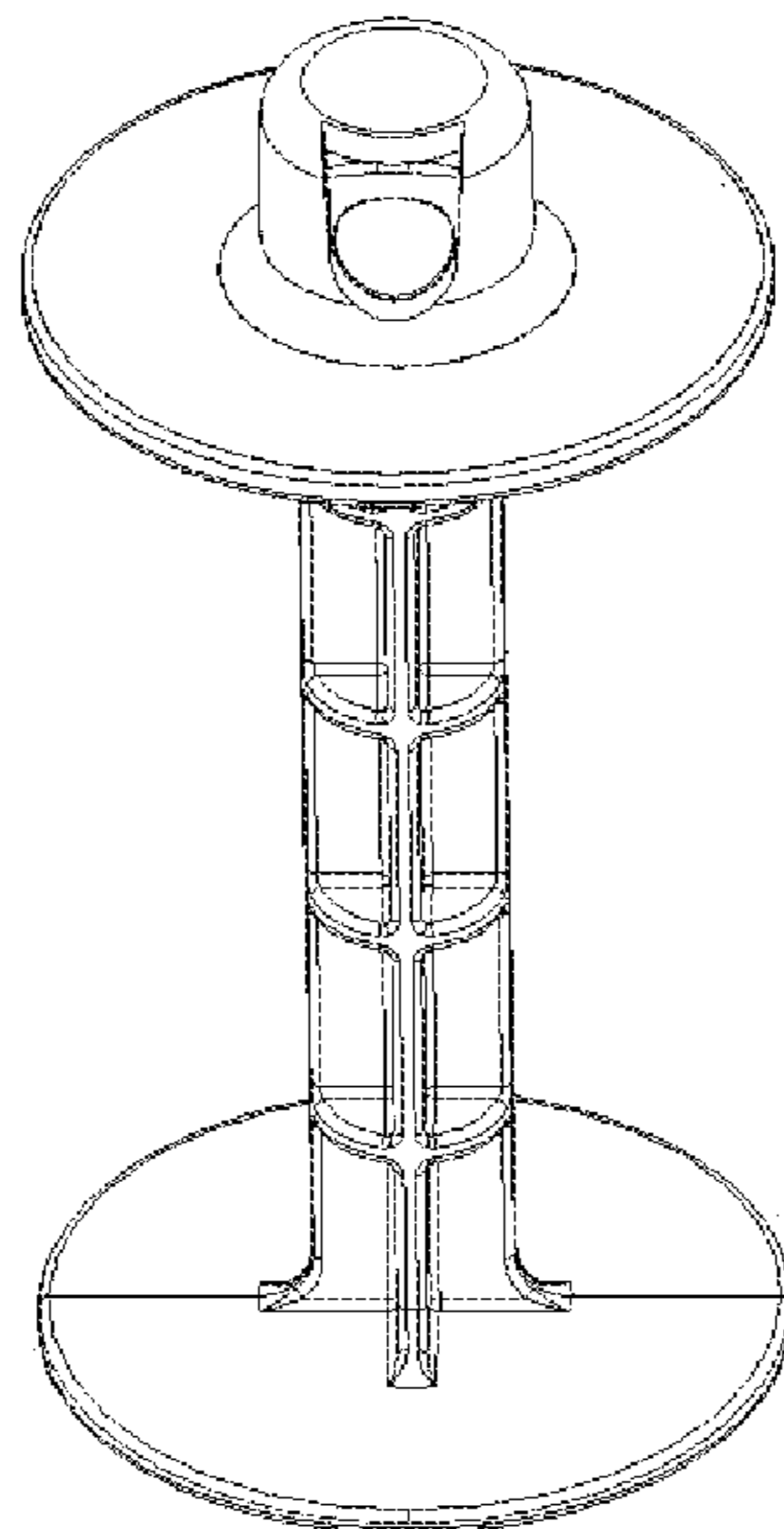
Primary Examiner — Nathan M Johnston
(74) *Attorney, Agent, or Firm* — Hudak, Shunk & Farine Co. LPA

(57) **CLAIM**
The ornamental design for a single post retaining member, as shown and described.

DESCRIPTION

FIG. 1 is a front elevational view of a single post retaining member showing our new design;
FIG. 2 is a rear elevational view thereof;
FIG. 3 is a right side elevational view thereof;
FIG. 4 is a left side elevational view thereof;
FIG. 5 is a top plan view thereof;
FIG. 6 is a bottom plan view thereof;
FIG. 7 is a slightly downward-looking perspective view thereof; and,
FIG. 8 is a slightly upward-looking perspective view thereof.

1 Claim, 8 Drawing Sheets



(56)

References Cited

U.S. PATENT DOCUMENTS

5,297,691 A 3/1994 Bottcher
 5,390,964 A 2/1995 Gray, Jr.
 5,558,130 A 9/1996 McCabe et al.
 5,623,971 A 4/1997 Foernzler
 5,644,394 A 7/1997 Owens
 5,690,469 A 11/1997 Deal et al.
 5,735,425 A 4/1998 Beadle
 5,765,993 A 6/1998 Weiss
 5,771,937 A 6/1998 Collins
 5,904,965 A 5/1999 Noel et al.
 5,927,000 A 7/1999 Bordes, Jr.
 6,032,515 A 3/2000 Huber
 6,105,618 A 8/2000 Blaney
 6,170,529 B1 1/2001 Howe
 6,173,491 B1 1/2001 Goodwater et al.
 6,227,132 B1 5/2001 Garcia
 6,244,301 B1 6/2001 Scott et al.
 6,360,779 B1 3/2002 Wagner et al.
 6,381,797 B1 5/2002 Filippovitch et al.
 6,419,104 B1 7/2002 Sarajian
 6,453,603 B1 9/2002 Baker
 6,506,014 B1 1/2003 Nolfi et al.
 6,662,490 B1 12/2003 Aesch
 6,726,099 B2 4/2004 Becker et al.
 6,796,449 B2 9/2004 Fragola

6,824,356 B2 11/2004 Nolfi et al.
 7,533,698 B2 5/2009 Nolfi et al.
 D612,875 S * 3/2010 Beynon D15/139
 D640,298 S * 6/2011 Launius, Jr. D15/130
 D656,611 S * 3/2012 Garcia D15/139
 D681,391 S * 5/2013 Agren D7/376
 D681,405 S * 5/2013 Bagley D7/693
 D695,565 S * 12/2013 Verbrugge D7/376
 8,776,949 B2 7/2014 Oswald
 8,967,203 B2 3/2015 Nolfi et al.
 D741,653 S * 10/2015 Zhang D7/376
 2003/0021678 A1 1/2003 Nolfi
 2004/0028523 A1 2/2004 Nolfi
 2005/0279010 A1 12/2005 Krog
 2006/0001264 A1 1/2006 Brass et al.
 2007/0059162 A1 3/2007 Nolfi
 2007/0284011 A1 12/2007 Freyer
 2009/0180839 A1 * 7/2009 Kardas B25B 23/141
 405/259.1
 2009/0314787 A1 12/2009 Reusche et al.
 2011/0169630 A1 7/2011 Nolfi
 2011/0315258 A1 12/2011 Tomimbang
 2012/0055293 A1 * 3/2012 Urick B25B 13/06
 81/177.85
 2017/0291289 A1 * 10/2017 Chen B25D 3/00
 2018/0141190 A1 * 5/2018 Prunean B25B 31/00
 2018/0363826 A1 * 12/2018 Nolfi F16L 55/1141

* cited by examiner

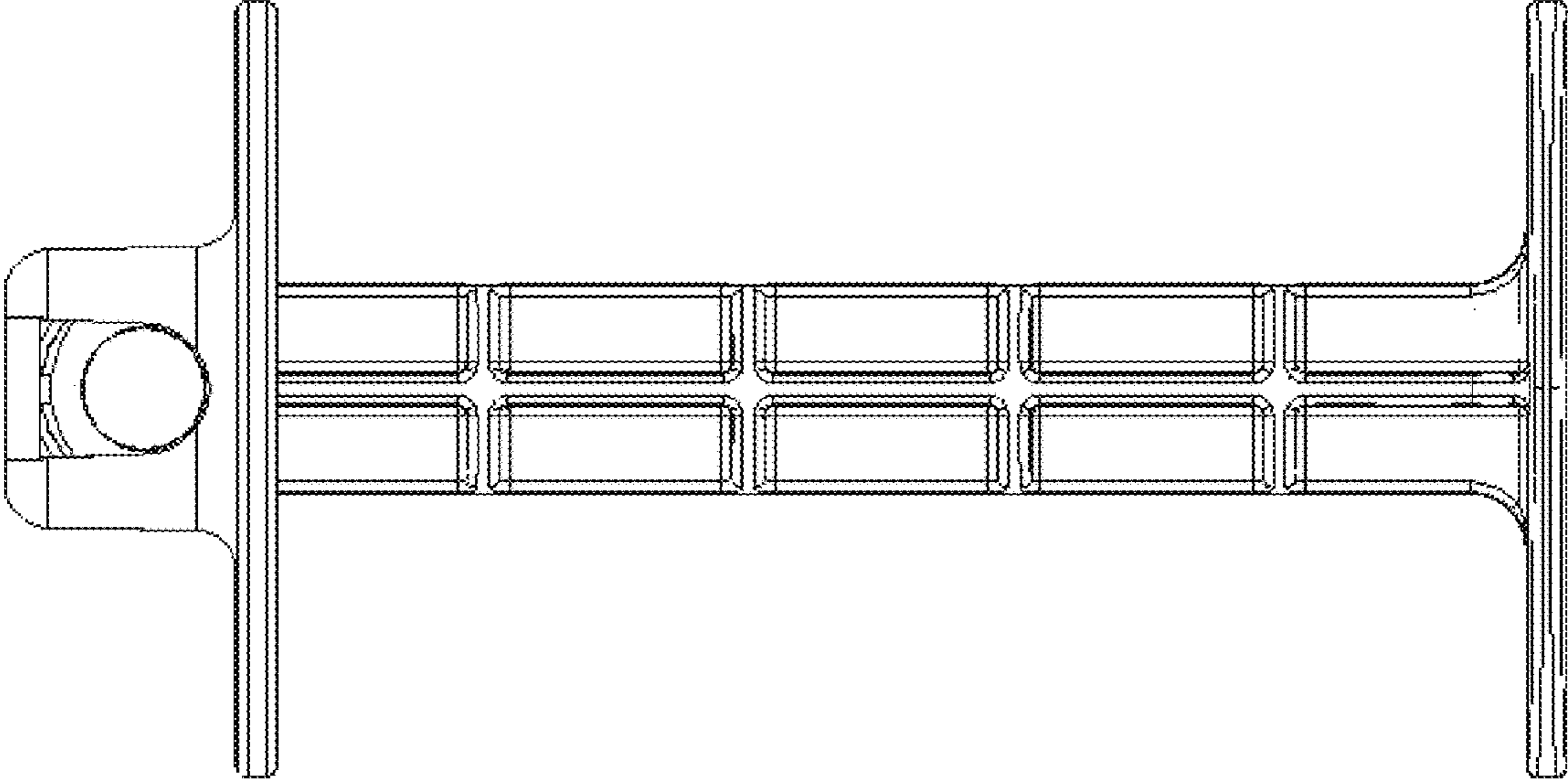


Fig. 1

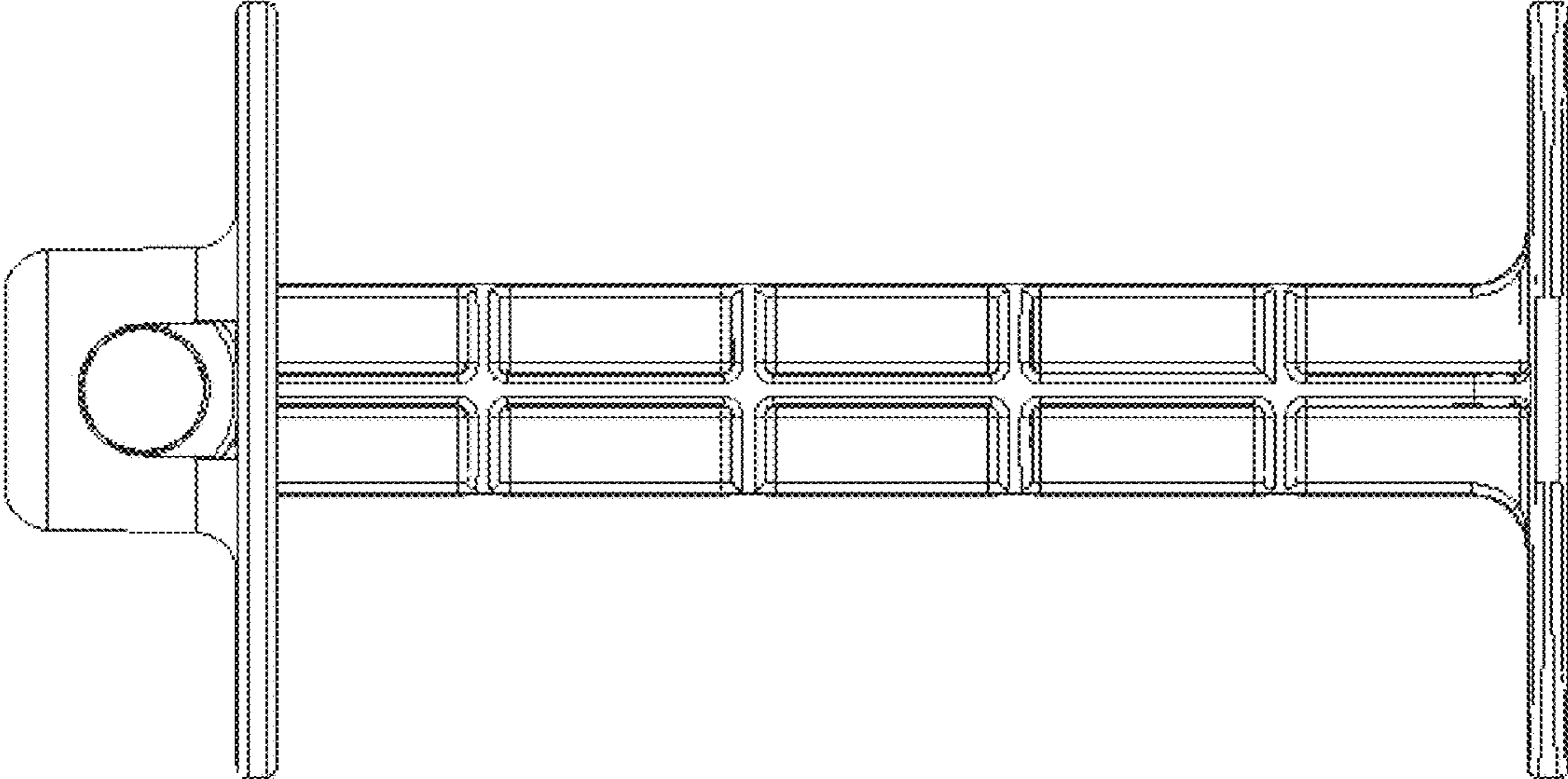


Fig. 2

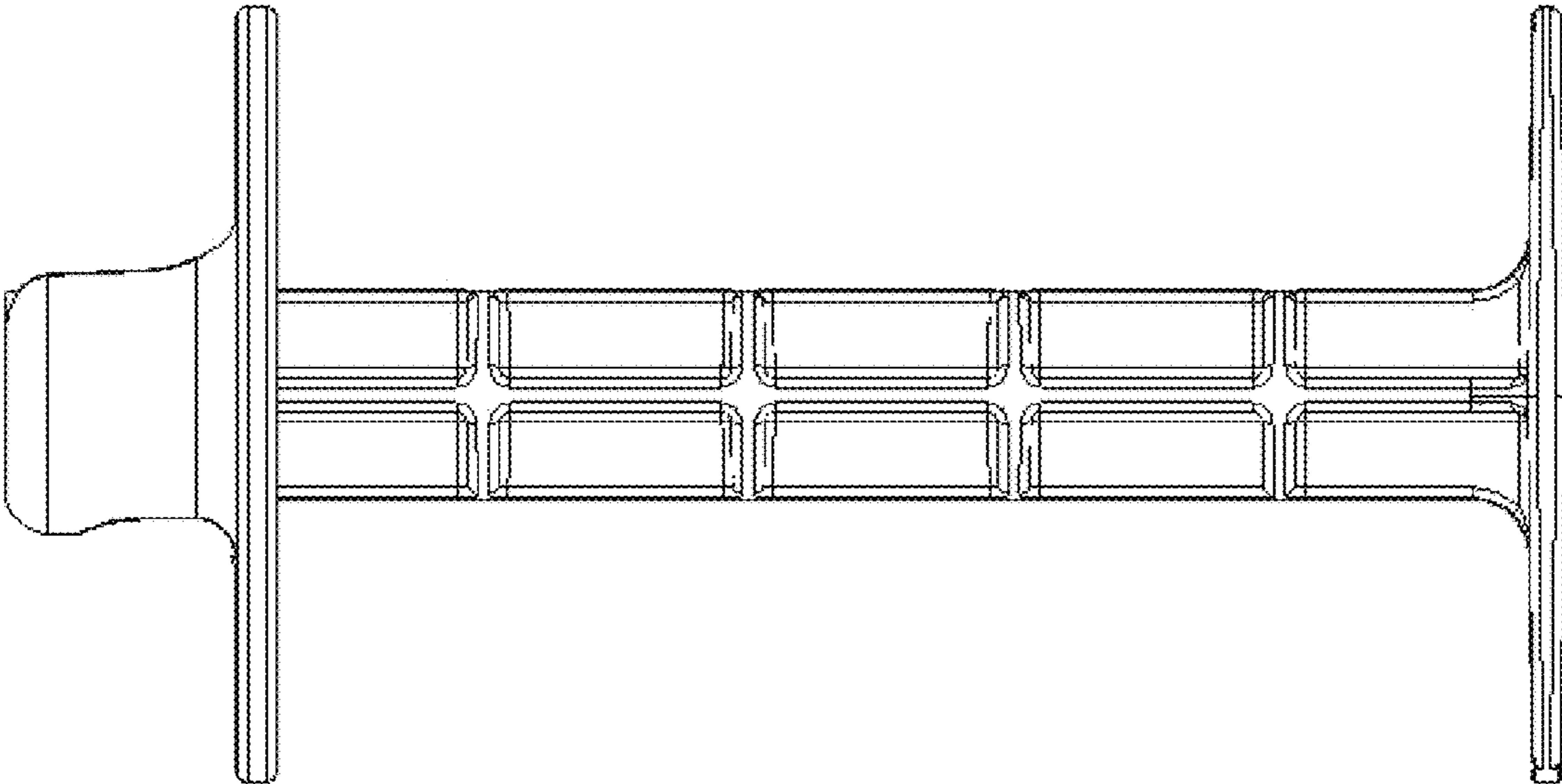


Fig. 3

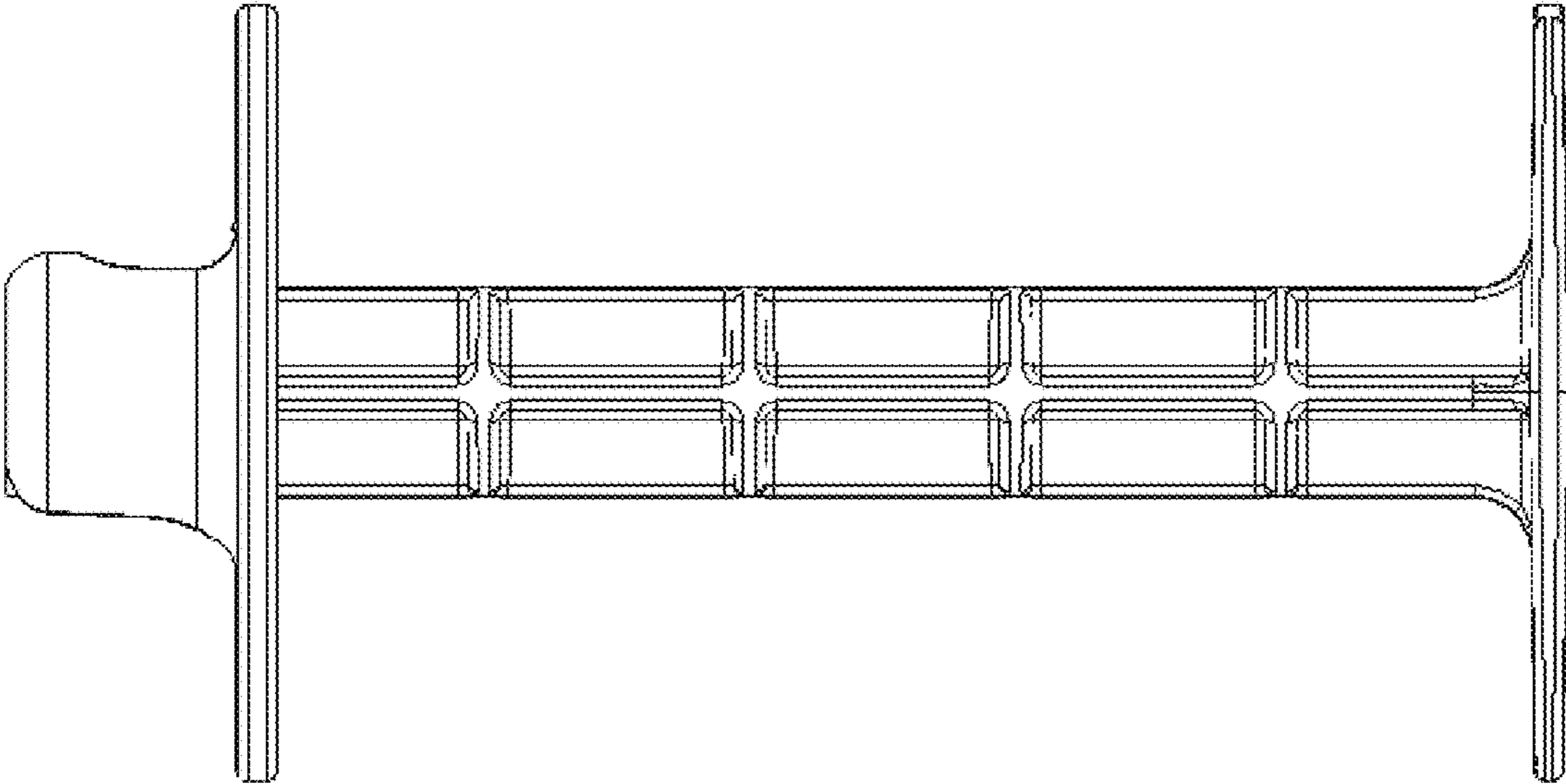


Fig. 4

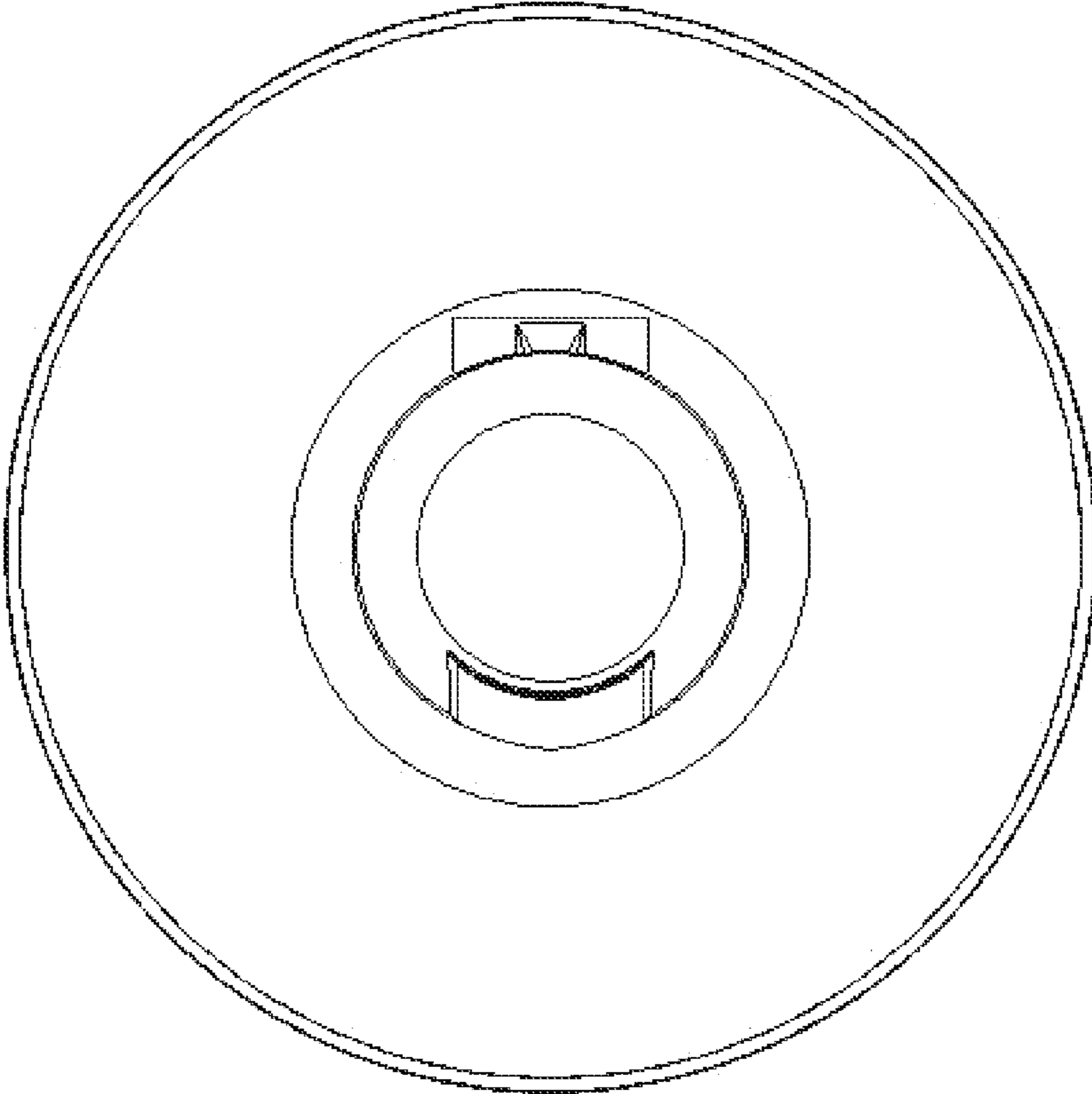


Fig. 5

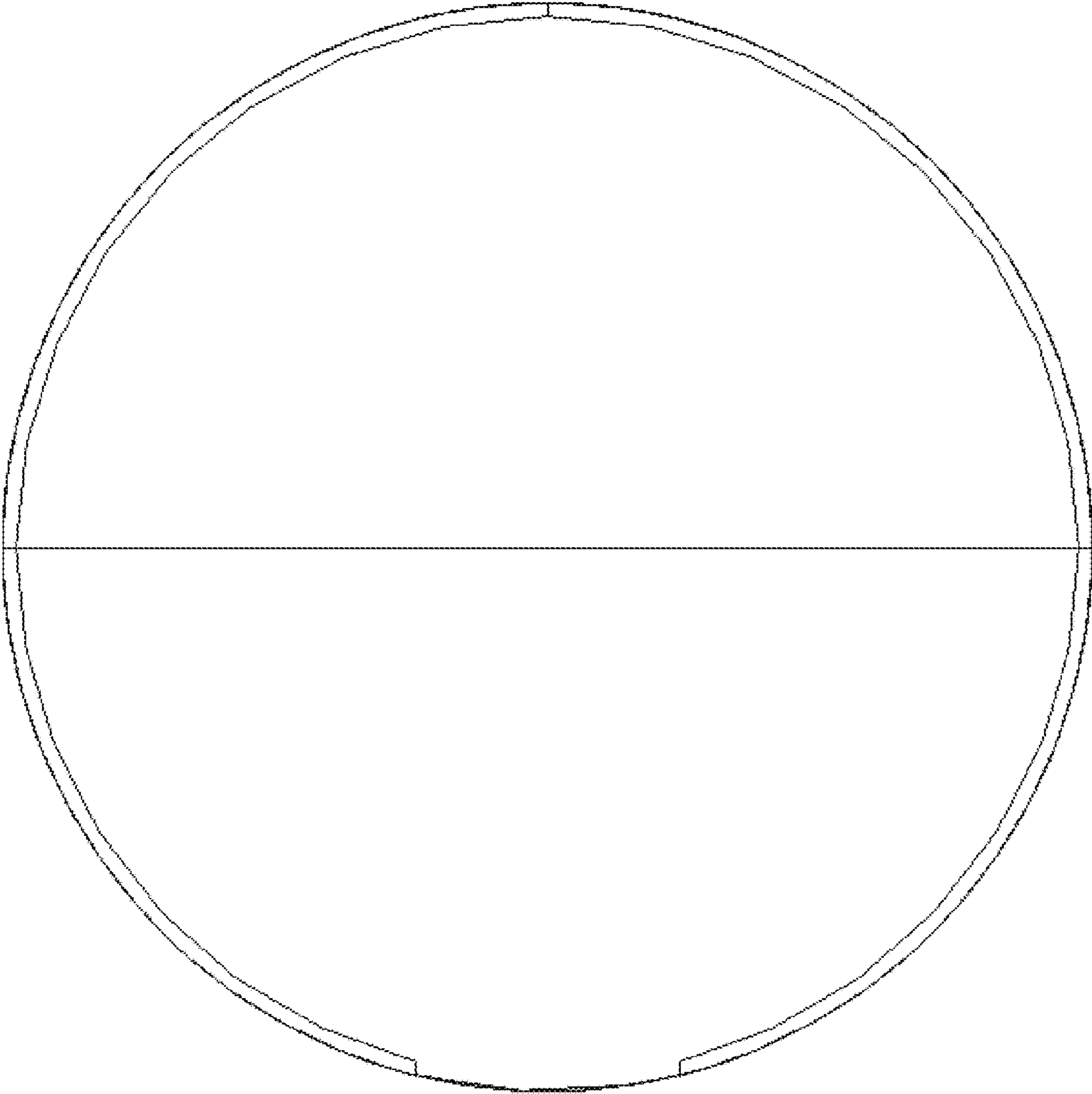


Fig. 6

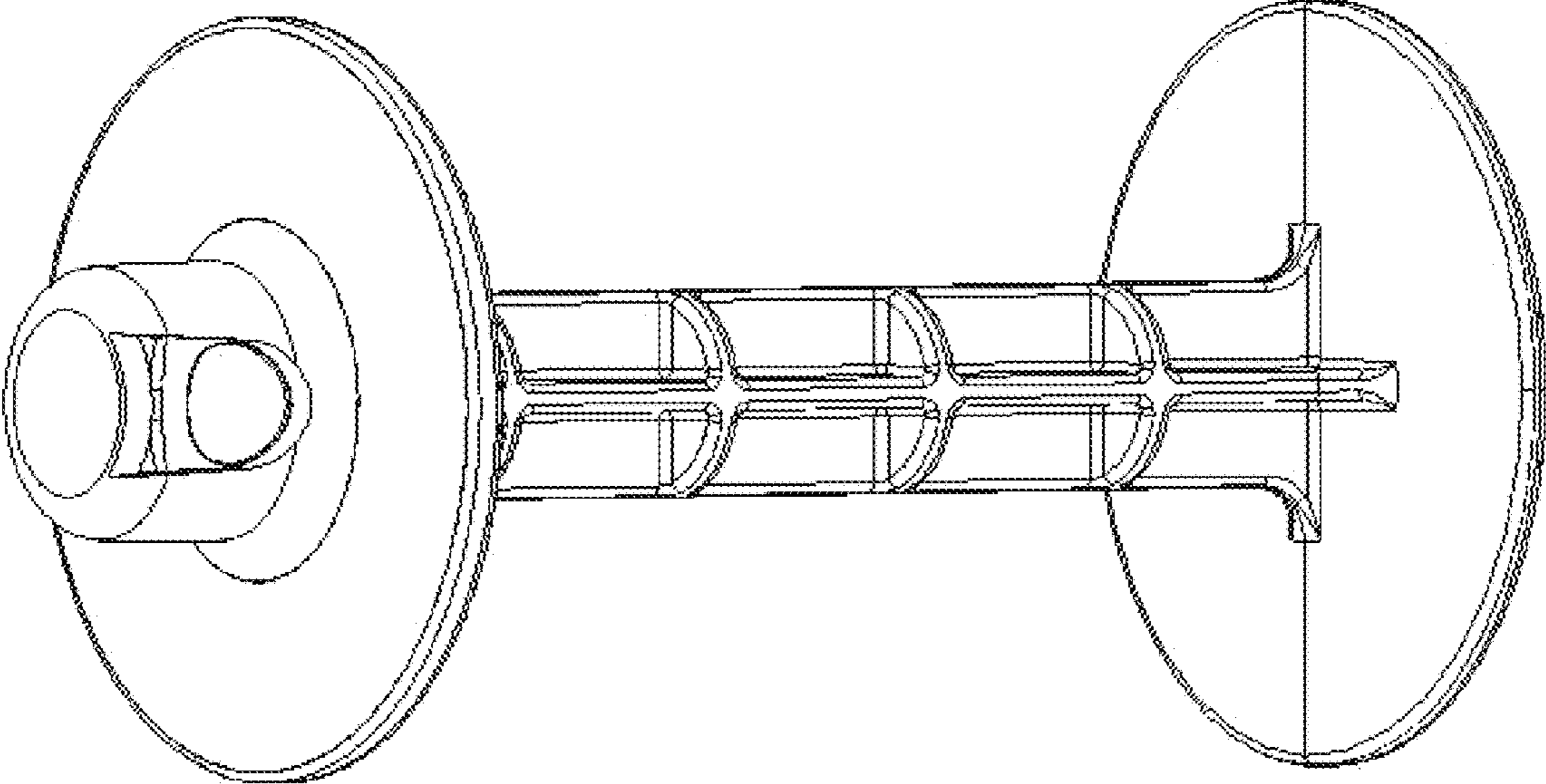


Fig. 7

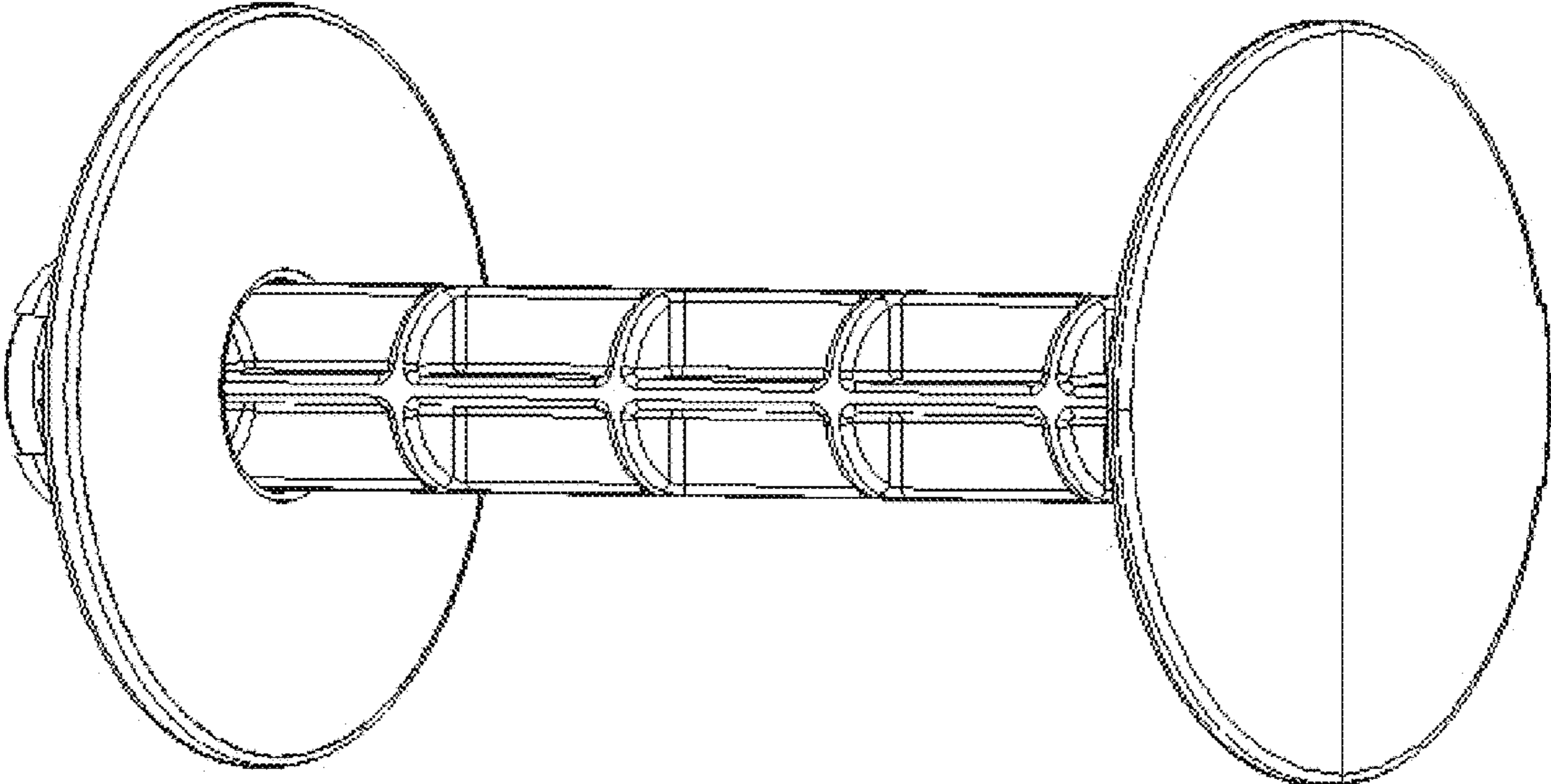


Fig. 8