



US00D878189S

(12) **United States Design Patent**
Elliott et al.

(10) **Patent No.:** **US D878,189 S**
(45) **Date of Patent:** **** Mar. 17, 2020**

(54) **GUTTER HANGER**

B66D 3/006; B66D 3/18; B66D 3/26;
B66D 3/02; B66D 3/14; B63B 21/18;
B63B 21/26; B65B

(71) Applicant: **OMNIMAX INTERNATIONAL, INC.**, Norcross, GA (US)

(Continued)

(72) Inventors: **Benjamin R. Elliott**, Chattanooga, TN (US); **Timothy Bilbo**, Atlanta, GA (US); **Gregory J. Foster**, Chicago, IL (US); **Robert W. Sheldon**, Winnetka, IL (US); **Donald Stephen Gazdick, III**, Suwanee, GA (US)

(56)

References Cited

U.S. PATENT DOCUMENTS

D60,289 S * 1/1922 Endres D8/354
4,294,422 A 10/1981 Odekirk

(Continued)

(73) Assignee: **OmniMax International, Inc.**, Norcross, GA (US)

OTHER PUBLICATIONS

5" Aluminum Heavy Duty Hang Fast Hidden Spouting Gutter Hanger (10 Pack), posted as early as Jun. 25, 2013, [retrieved Oct. 15, 2019]. Retrieved from Internet, <URL: <https://www.amazon.com/Aluminum-Hidden-Spouting-Gutter-Hanger/dp/B009V0Z9VA>>.*

(Continued)

(**) Term: **15 Years**

Primary Examiner — Karen E Kearney

Assistant Examiner — Kristin E Reed

(21) Appl. No.: **29/616,101**

(74) *Attorney, Agent, or Firm* — Kilpatrick Townsend & Stockton LLP

(22) Filed: **Sep. 1, 2017**

(51) **LOC (12) Cl.** **08-05**

(52) **U.S. Cl.**

USPC **D8/373**

(58) **Field of Classification Search**

USPC D08/373, 358, 359, 354, 71, 330, 336,
D08/351, 356, 360.1, 363, 364, 367, 370,
D08/372, 379, 381, 382, 395, 396;
D06/349, 352; D09/426, 502, 750;
D10/72, 73, 89; D11/79, 93; D13/103,
D13/107, 152, 183; D19/67; D21/673,
D21/674, 675, 839, 840; D25/19, 62, 68,
D25/69; D26/40, 49; D29/122, 124;
D30/153, 155

CPC B65H 75/40; B65H 75/4407;
B65H 75/4471; B65H 2701/34; B65H
2701/32; B65H 2511/142; B65H 29/008;
B65H 2701/33; B65H 54/585; B65H
51/22; B65H 75/08; B65H 75/02; B65H
2301/41485; B65H 75/4468; B65H
2301/414323; B65H 2301/414325; B65H
16/02; B65H 2301/4131; B65H 75/403;
B65H 75/441; B65D 85/66; B65D 85/67;

(57)

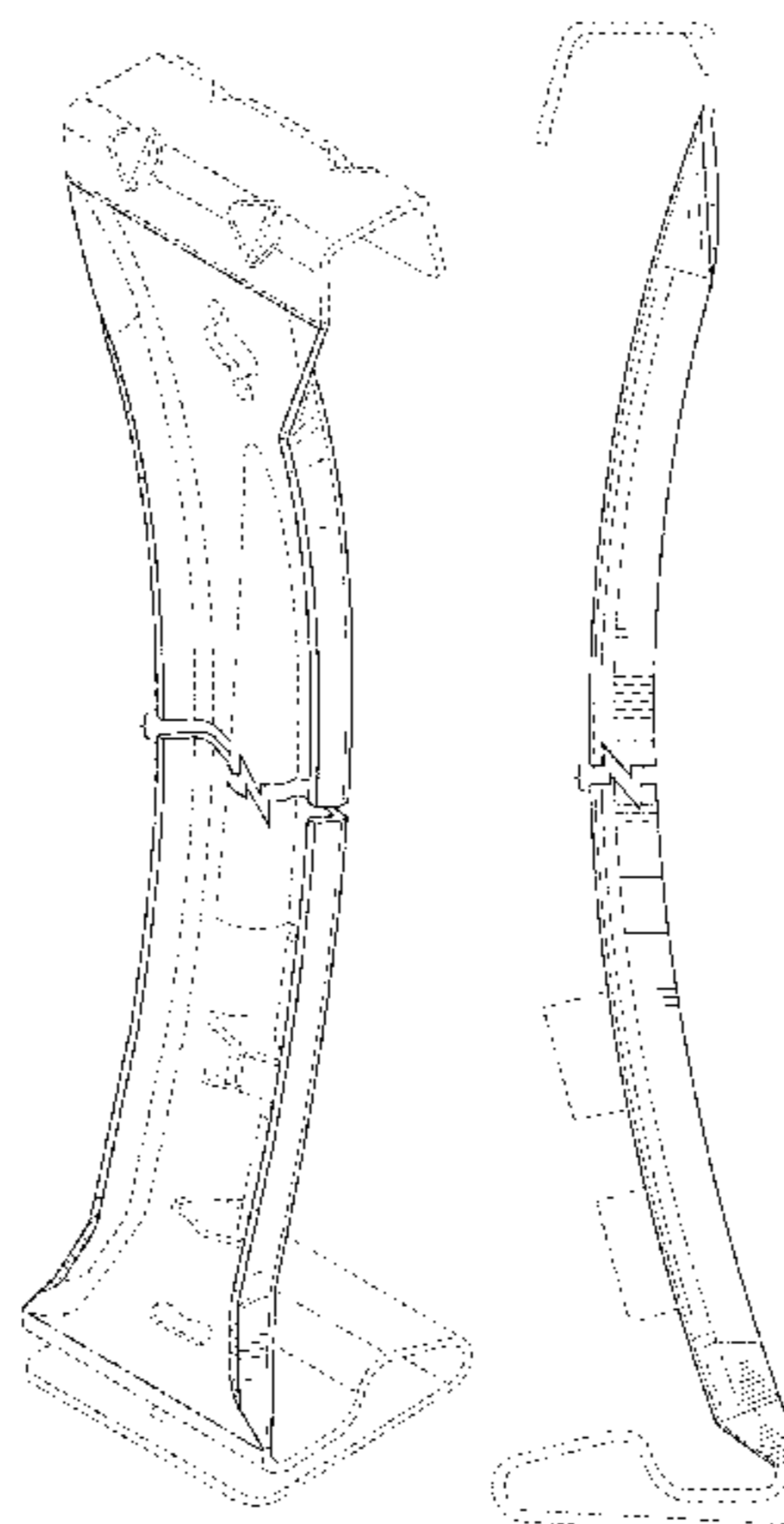
CLAIM

The ornamental design for a gutter hanger, as shown and described.

DESCRIPTION

FIG. 1 is a perspective top view of a gutter hanger.
FIG. 2 is a bottom view of the gutter hanger of FIG. 1.
FIG. 3 is a top view of the gutter hanger of FIG. 1.
FIG. 4 is a left side view of the gutter hanger of FIG. 1.
FIG. 5 is a right side view of the gutter hanger of FIG. 1.
FIG. 6 is a front view of the gutter hanger of FIG. 1; and,
FIG. 7 is a rear view of the gutter hanger of FIG. 1.

(Continued)



The dash-dot broken lines define the bounds of the claimed design. The remaining broken lines show portions of the gutter hanger. The broken lines form no part of the claimed design.

1 Claim, 6 Drawing Sheets

(58) Field of Classification Search

CPC .. 57/005; A61G 7/1051; A61G 7/1061; B66B 11/08; A62C 33/04; B08B 2203/0276; B21C 47/28; H02G 11/02; A01K 89/003; A01D 34/822; H04M 1/15; A47L 9/26; H04R 1/1033; Y10S 24/909; E05C 19/10; E05C 17/50; E05C 3/045; E05C 3/30; E05C 19/02; E05C 19/026; A47G 25/0614; A47G 25/18; A47G 25/32; A47G 7/047; A47G 7/045; A47G 7/042; A47G 7/044; F16B 12/44; F16B 12/46; F16B 5/0614; F16B 12/02; E04B 1/2612; E04B 2001/2415; E04B 1/5818; E04B 1/5831; A47B 88/0055; E04F 11/1812; F16L 1/0246; A01G 9/024; A01G 25/14; A01G 27/001; A01G 9/042; A01G 27/005; A01G 31/001; A01G 9/02; A01G 9/083; A01G 9/12

See application file for complete search history.

(56) References Cited

U.S. PATENT DOCUMENTS

6,209,826 B1 * 4/2001 Pratt, Jr. E04D 13/0725
248/231.9
6,254,039 B1 * 7/2001 Zimmerman E04D 13/0725
248/48.1

6,543,729 B1 * 4/2003 Ylonen E04D 13/0725
248/48.1
D481,929 S * 11/2003 McNichol D8/373
6,726,155 B1 4/2004 Zimmerman
7,494,095 B2 2/2009 Walker et al.
D610,436 S * 2/2010 Bremmon D8/373
D622,114 S * 8/2010 Balliet D8/16
D638,687 S * 5/2011 Minkley D8/349
8,347,557 B2 1/2013 Minor, Sr. et al.
8,523,119 B1 * 9/2013 Greer E03D 11/143
248/224.8
D736,598 S * 8/2015 Keen D8/354
D743,952 S * 11/2015 Venghaus D14/238
D770,879 S * 11/2016 Quinn D8/323
D791,583 S * 7/2017 Griffin D8/373
2014/0196400 A1 7/2014 Bell
2018/0066437 A1 3/2018 Elliott et al.

OTHER PUBLICATIONS

U.S. Appl. No. 15/694,274, "Non-Final Office Action," dated Jun. 21, 2018, 8 pages.

Amerimax, Product Catalog, Available online at: [http://www.amerimax.com/pdf/catalog/2012%20Amerimax% 20 catalog% 20complete.pdf](http://www.amerimax.com/pdf/catalog/2012%20Amerimax%20catalog%20complete.pdf) 2012, 92 pages.

Berger, Product Catalog, Available online at: [http://www.cecequip.com/files/CATALOGUE% 20CST% 20BERGER%202012%20_ C2012-CA-001.pdf](http://www.cecequip.com/files/CATALOGUE%20CST%20BERGER%202012%20_C2012-CA-001.pdf) 2012, 40 pages.

CA 2,978,241, "Office Action," dated Oct. 26, 2018, 7 pages.

* cited by examiner

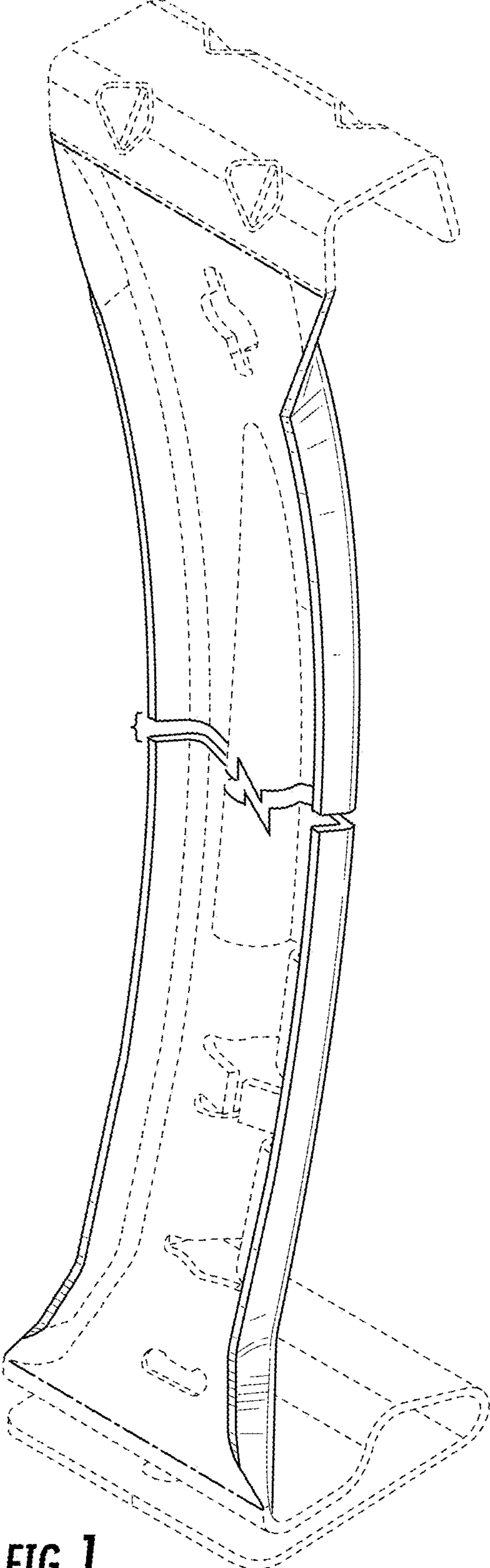


FIG. 1

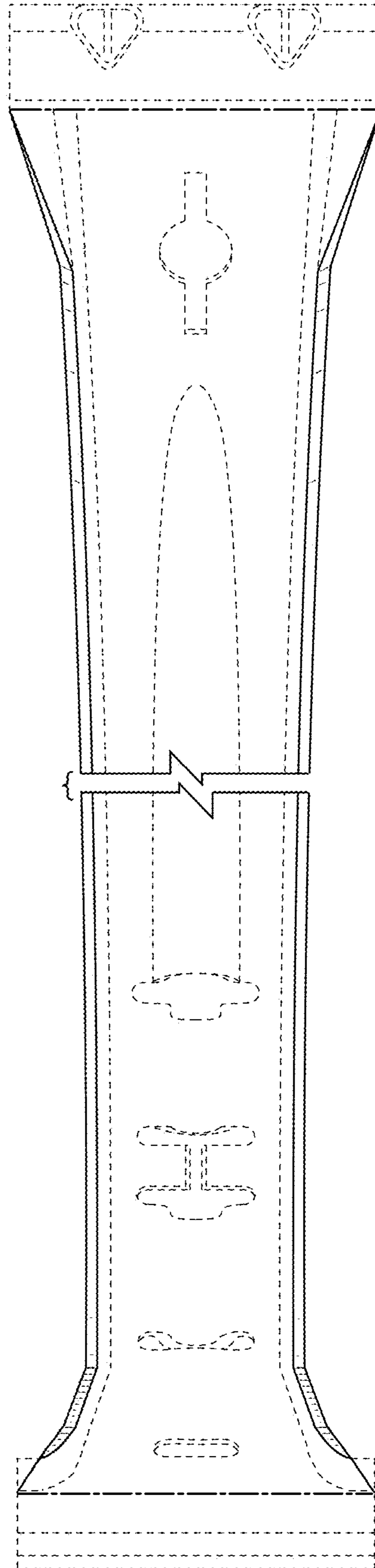


FIG. 2

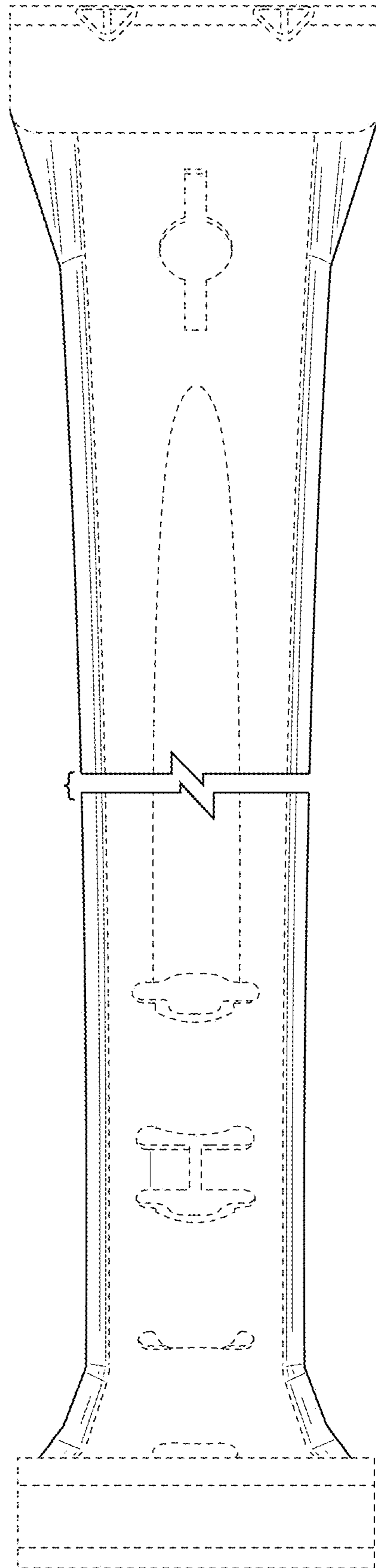


FIG. 3

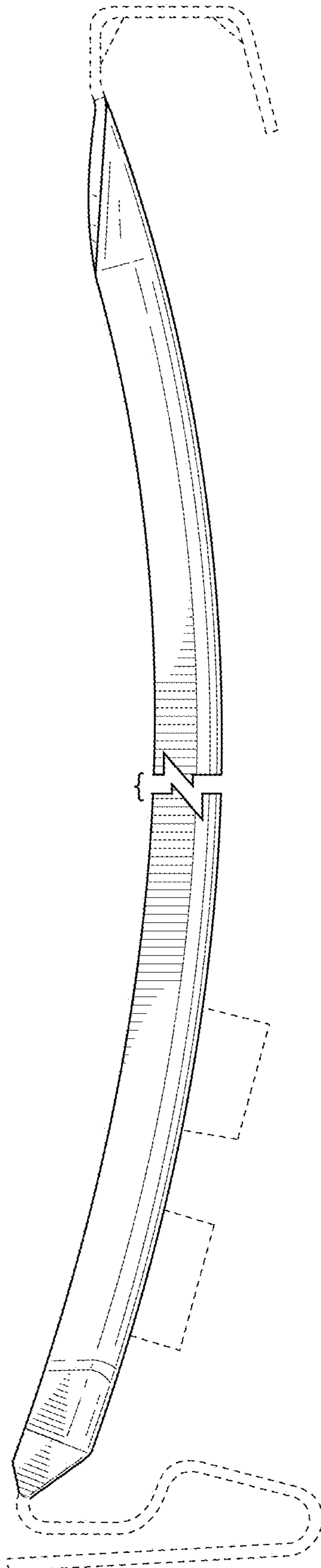


FIG. 4

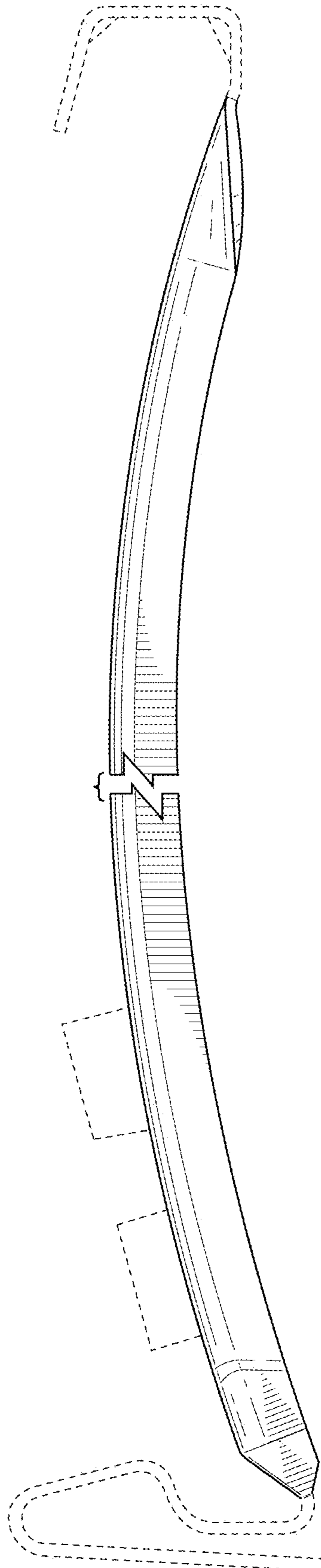


FIG. 5

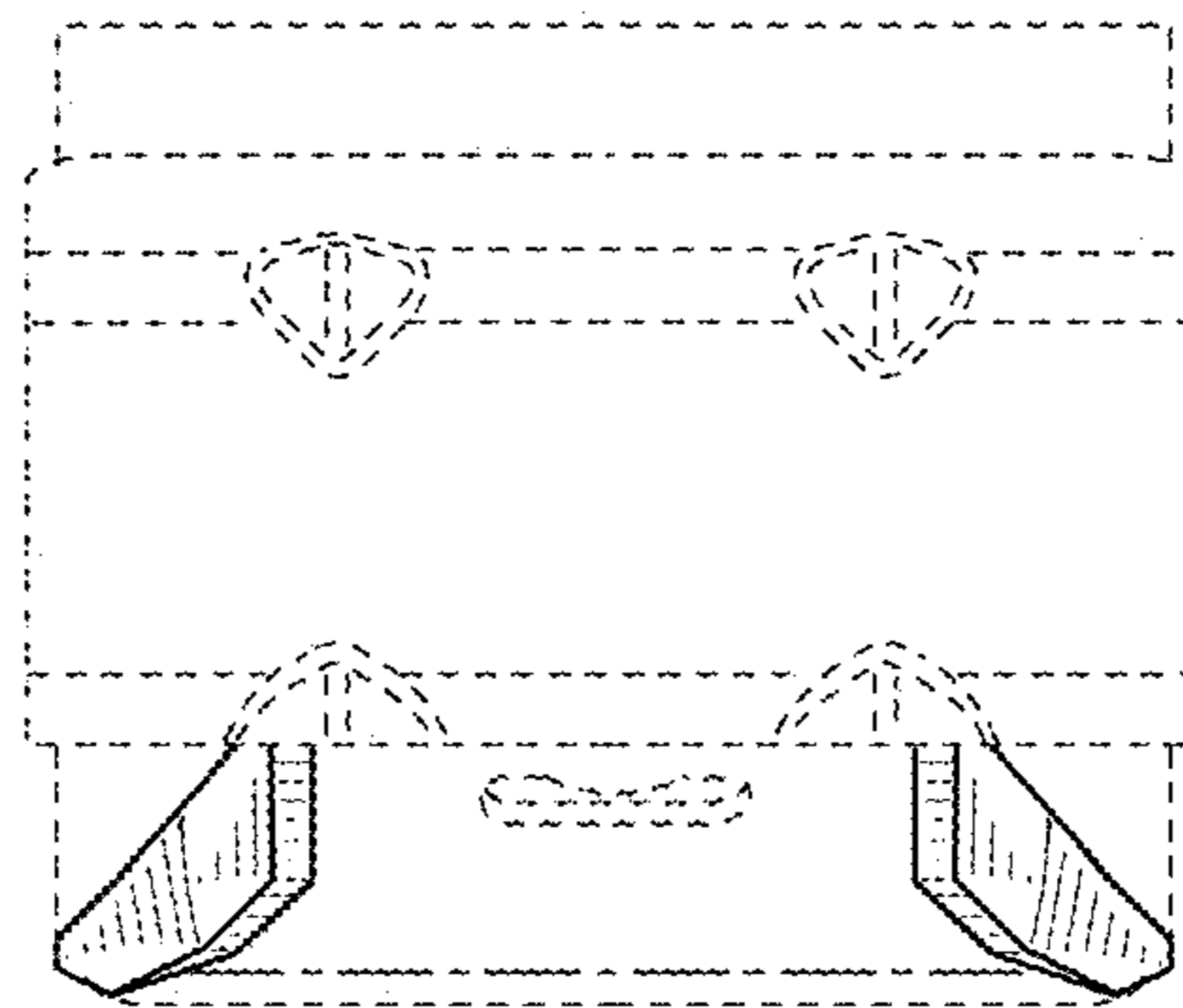


FIG. 6

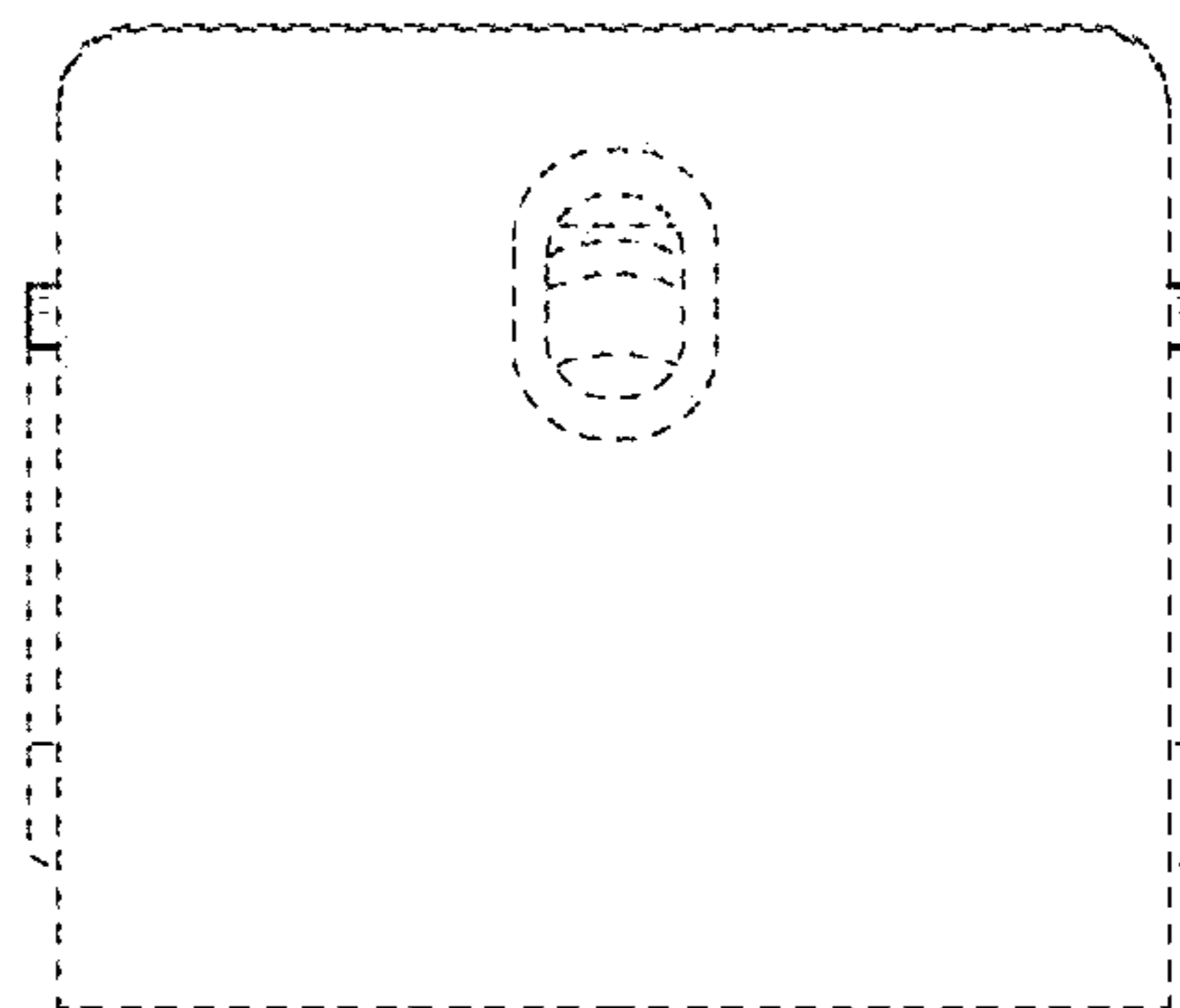


FIG. 7