



US00D878188S

(12) **United States Design Patent**
Koerth

(10) **Patent No.: US D878,188 S**

(45) **Date of Patent: ** *Mar. 17, 2020**

(54) **WALL MOUNT FOR A RECREATIONAL BOARD**

(71) Applicant: **LACKS HOME PRODUCTS,**
Kentwood, MI (US)

(72) Inventor: **Aaron Koerth,** Hudsonville, MI (US)

(73) Assignee: **Lacks Home Products,** Kentwood, MI (US)

(*) Notice: This patent is subject to a terminal disclaimer.

(**) Term: **15 Years**

(21) Appl. No.: **29/613,648**

(22) Filed: **Aug. 11, 2017**

(51) **LOC (12) Cl. 08-05**

(52) **U.S. Cl.**
USPC **D8/373**

(58) **Field of Classification Search**
USPC D08/373, 358, 359, 354, 71, 330, 336,
D08/351, 356, 360.1, 363, 364, 367, 370,
D08/372, 379, 381, 382, 395, 396;
D06/349, 352; D09/426, 502, 750;
D10/72, 73, 89; D11/79, 93; D13/103,
D13/107; D19/67; D21/673, 674, 675,
D21/839, 840; D25/19, 62, 68, 69;
D26/40, 49; D29/122, 124; D30/153,
D30/155; D12/162; D34/24, 26
CPC B65H 75/40; B65H 75/4407; B65H
75/4471; B65H 2701/34; B65H 2701/32;
B65H 2511/142; B65H 29/008; B65H
(Continued)

(56) **References Cited**

U.S. PATENT DOCUMENTS

D191,609 S * 10/1961 Gordon D8/363
D279,092 S * 6/1985 Snaper D10/110
(Continued)

OTHER PUBLICATIONS

Nipper / Paddle Board Storage Rack / Rack-It-Up, posted unknown, [retrieved Jan. 22, 2019]. Retrieved from Internet, <URL: https://www.rackitup.com.au/products/nipper-paddle-board-storage-rack>.*

(Continued)

Primary Examiner — Karen E Kearney

Assistant Examiner — Kristin E Reed

(74) *Attorney, Agent, or Firm* — John S. Artz; Dickinson Wright PLLC

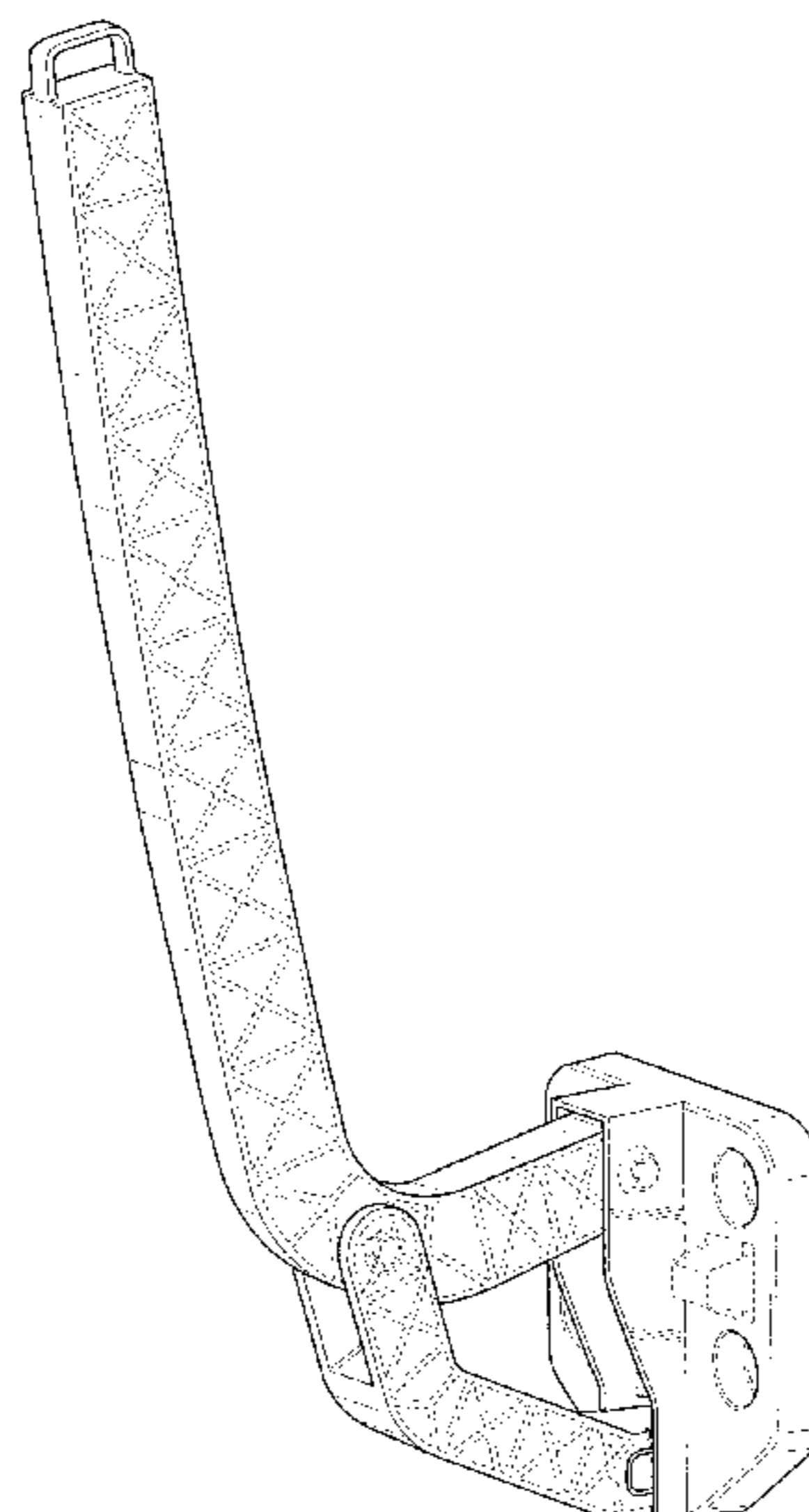
(57) **CLAIM**

The ornamental design for a wall mount for a recreational board, as shown and described.

DESCRIPTION

FIG. 1 is a perspective view of a wall mount for a recreational board showing my new design;
FIG. 2 is a front view of the wall mount for a recreational board;
FIG. 3 is a back view of the wall mount for a recreational board;
FIG. 4 is a right side view of the wall mount for a recreational board;
FIG. 5 is a left side view of the wall mount for a recreational board;
FIG. 6 is a top view of the wall mount for a recreational board;
FIG. 7 is a bottom view of the wall mount for a recreational board; and,
FIG. 8 is a perspective view of the wall mount for a recreational board illustrating an example environment of the wall mount for a recreational board.
The broken lines showing the board and straps in FIG. 8 depict environment. The remaining broken lines shown in the figures depict portions of the wall mount for a recreational board. The broken lines form no part of the claimed design.

1 Claim, 6 Drawing Sheets



(58) Field of Classification Search

CPC .. 2701/33; B65H 54/585; B65H 51/22; B65H 75/08; B65H 75/02; B65H 2301/41485; B65H 75/4468; B65H 2301/414323; B65H 2301/414325; B65H 16/02; B65H 2301/4131; B65H 75/403; B65H 75/441; B65D 85/66; B65D 85/67; B66D 3/006; B66D 3/18; B66D 3/26; B66D 3/02; B66D 3/14; B63B 21/18; B63B 21/26; B65B 57/005; A61G 7/1051; A61G 7/1061; B66B 11/08; A62C 33/04; B08B 2203/0276; B21C 47/28; H02G 11/02; A01K 89/003; H04M 1/15; A01D 34/822; A47L 9/26; H04R 1/1033; Y10S 24/909; E05C 19/10; E05C 17/50; E05C 3/045; E05C 3/30; E05C 19/02; E05C 19/026; A47G 25/0614; A47G 25/18; A47G 25/32; A47G 7/047; A47G 7/045; A47G 7/042; A47G 7/044; F16B 12/44; F16B 12/46; F16B 5/0614; F16B 12/02; E04B 2201/2415; E04B 1/5818; E04B 1/5831; A47B 88/0055; E04F 11/1812; F16L 1/0246; A01G 9/024; A01G 25/14; A01G 27/001; A01G 9/042; A01G 27/005; A01G 31/001; A01G 9/02; A01G 9/083; A01G 9/12; B60D 1/185; B60P 7/083; B60P 7/0853; B60P 7/0823; Y10T 24/2175; Y10T 24/2164

See application file for complete search history.

(56)

References Cited

U.S. PATENT DOCUMENTS

| | | | | | |
|--------------|----|---|---------|-------------------|-----------------------|
| D298,727 | S | * | 11/1988 | Hansson | D8/356 |
| 4,997,116 | A | * | 3/1991 | Grim | B60R 9/06 211/18 |
| D332,951 | S | * | 2/1993 | Seats | D15/5 |
| D394,927 | S | * | 6/1998 | Doyle | D32/60 |
| D581,252 | S | * | 11/2008 | Short | D8/354 |
| D614,940 | S | * | 5/2010 | Gaska | D8/373 |
| D616,733 | S | * | 6/2010 | Kleinsasser | D8/373 |
| D619,879 | S | * | 7/2010 | McCarthy | D8/354 |
| D781,727 | S | * | 3/2017 | Jackson | D10/65 |
| 2015/0080781 | A1 | * | 3/2015 | Connolly | A61F 5/0127 602/28 |
| 2017/0210590 | A1 | * | 7/2017 | Kopp | B65H 75/4465 |

OTHER PUBLICATIONS

Bluewave Kayaks Products Accessories Kayak Wall Rack, posted unknown, [retrieved Jan. 22, 2019]. Retrieved from Internet, <URL: <https://bluewavekayaks.com/product/kayak-wall-rack/> >.*

Canoe and Kayak Storage options, posted unknown, [retrieved Jan. 22, 2019]. Retrieved from Internet, <URL: http://www.craigmarine.info/yacht_boat/builders/canoe_boat/Canoe-Storage.htm >.*

StoreYourBoard Metal Surfboard Storage Rack—4 Surf Adjustable Home Wall Mount, posted as early as Sep. 11, 2016, [retrieved Jan. 22, 2019]. Retrieved from Internet, <URL: <https://www.amazon.com/StoreYourBoard-Metal-Surfboard-Storage-Rack/dp/B01KAG4GDU> >.*

* cited by examiner

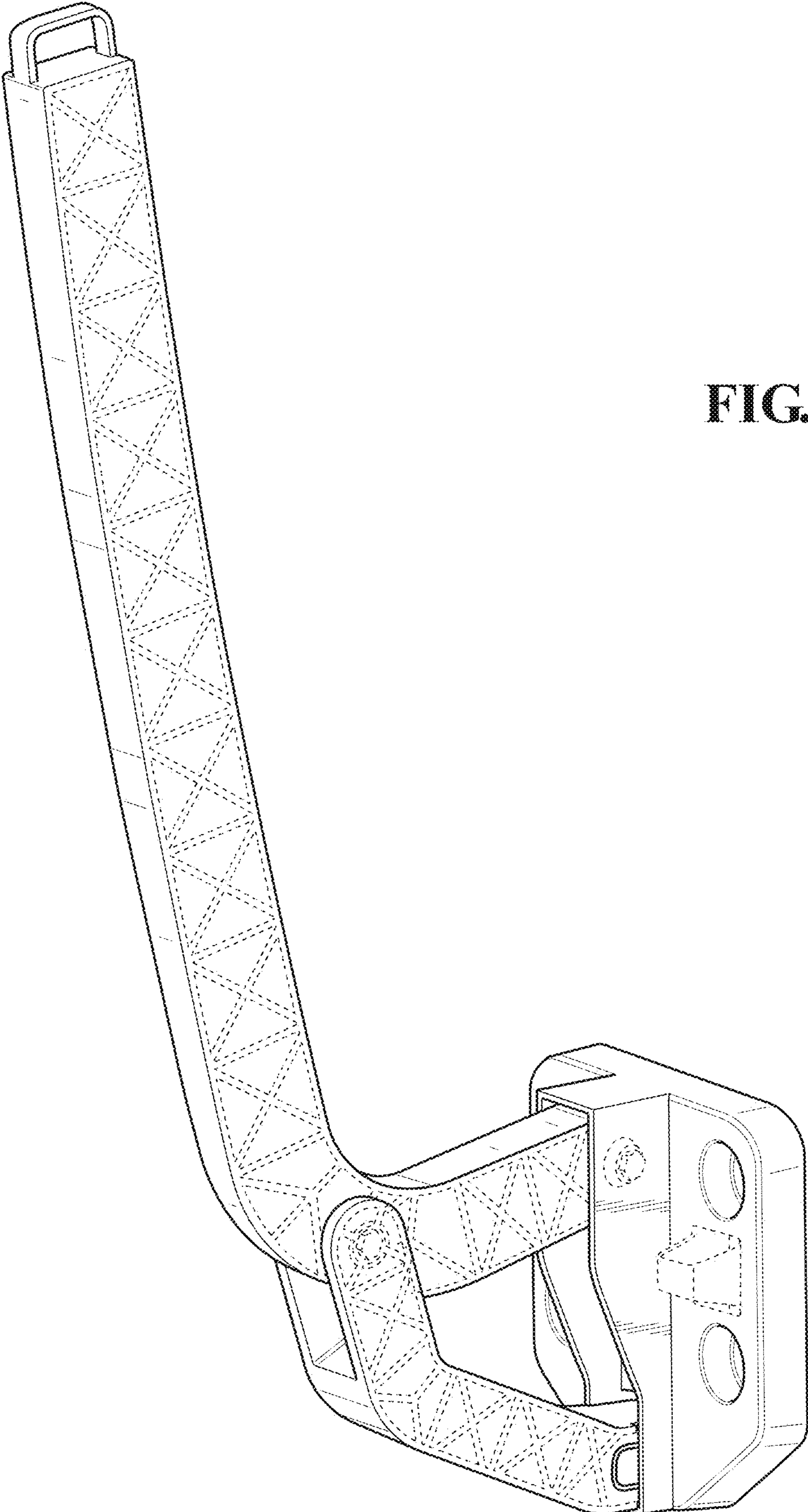


FIG. 1

FIG. 2

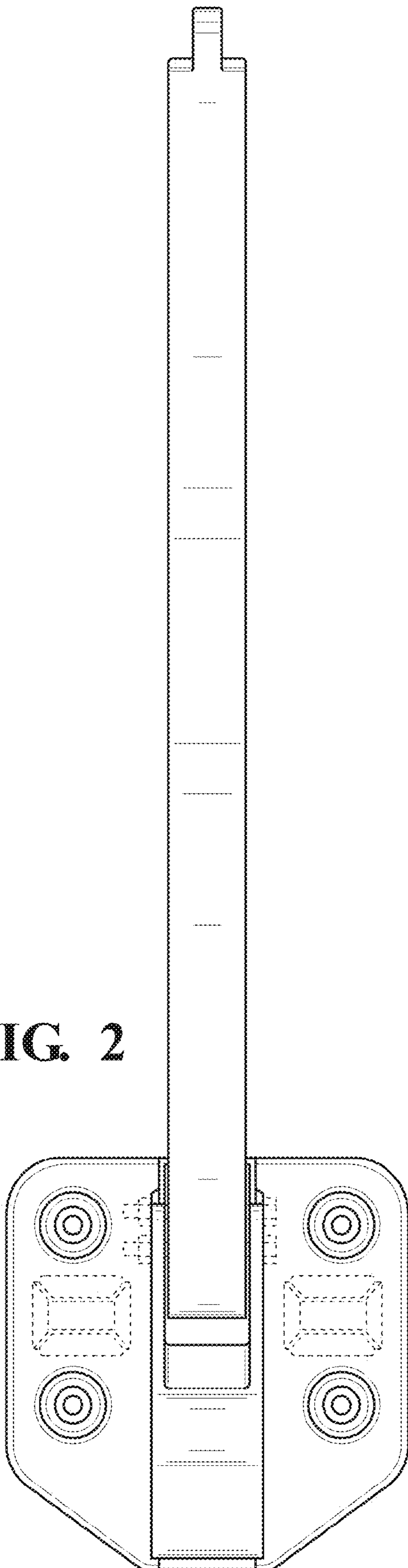
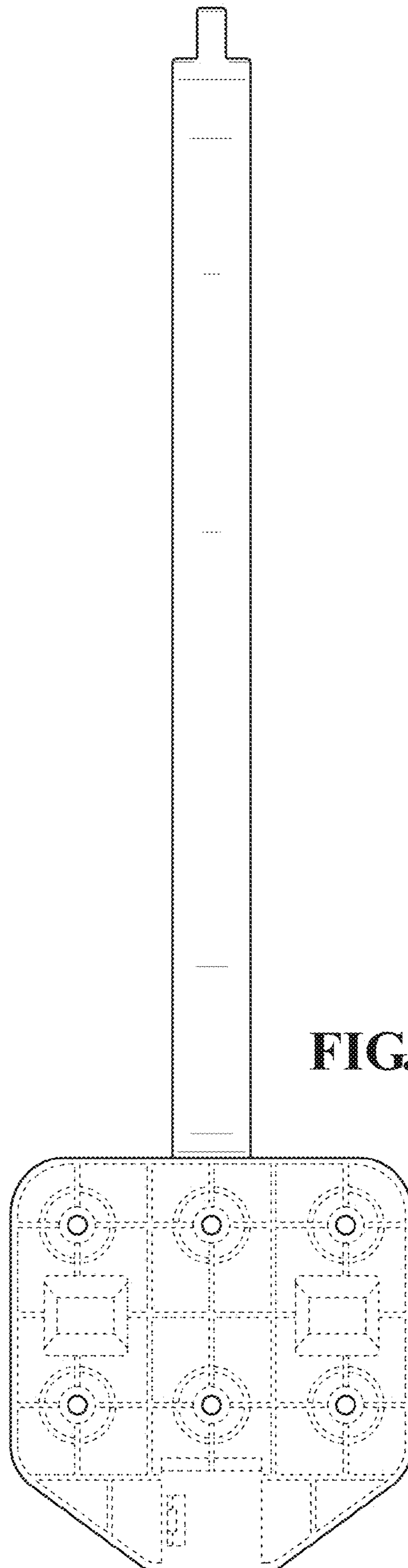


FIG. 3



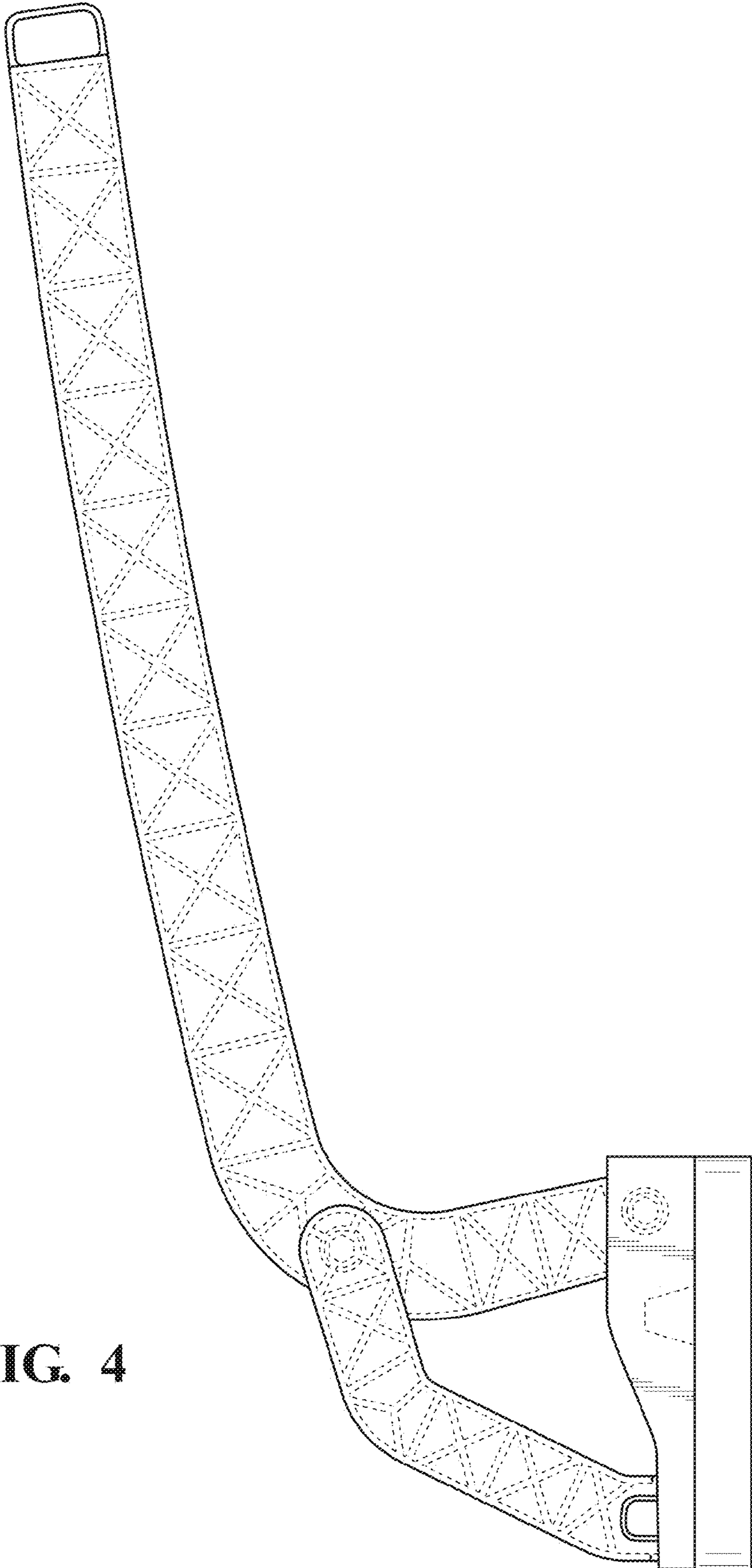


FIG. 4

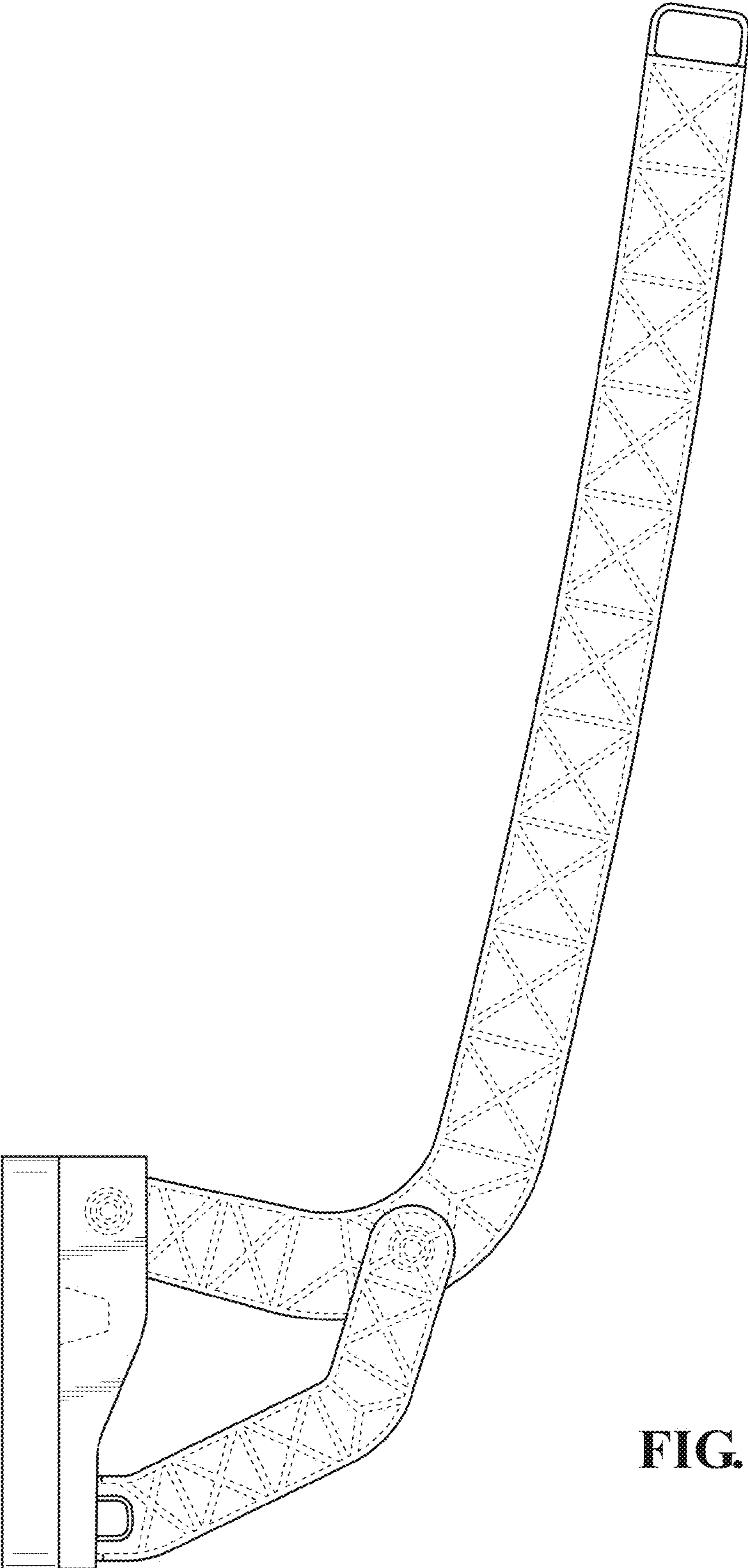


FIG. 5

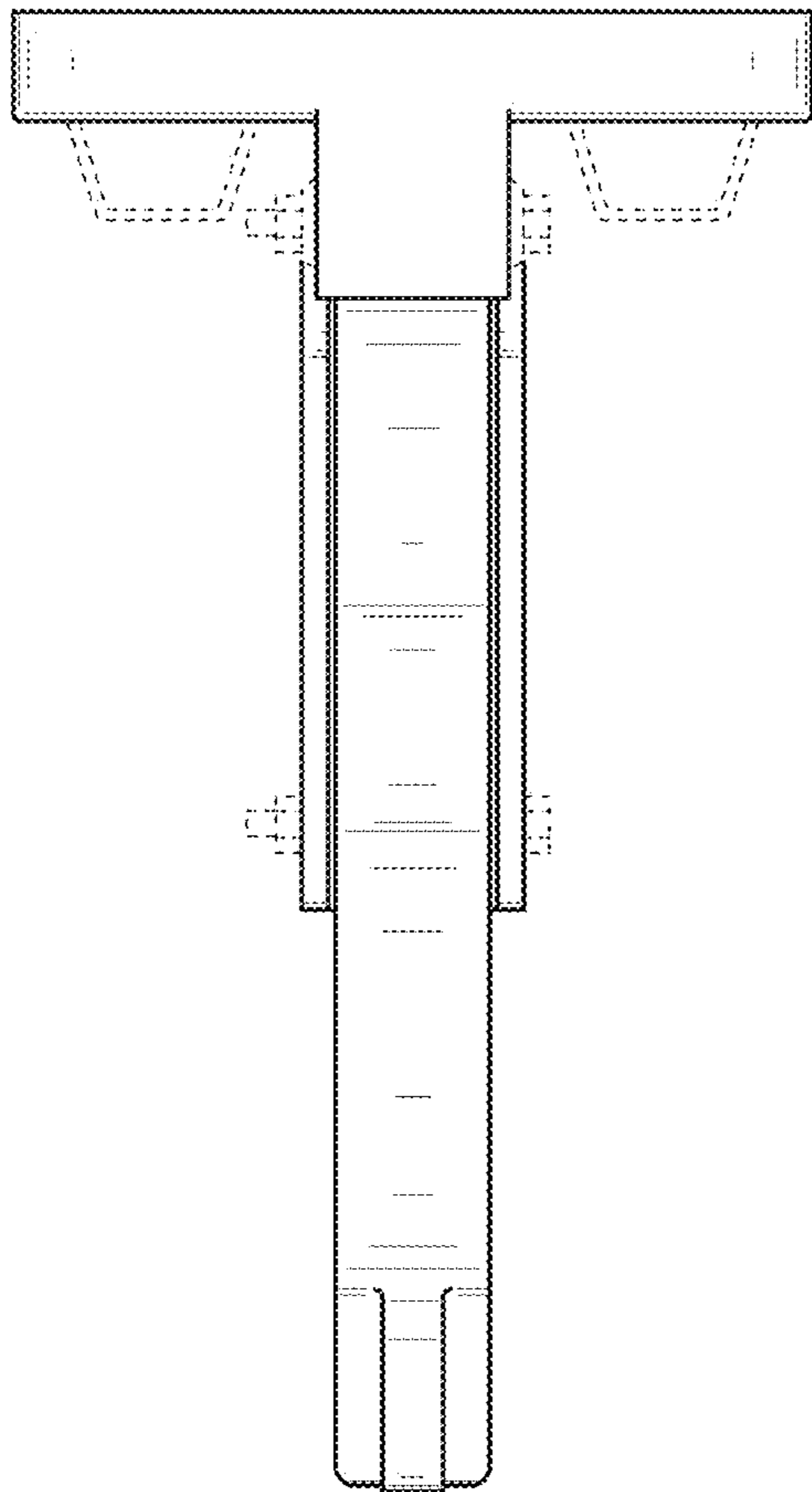


FIG. 6

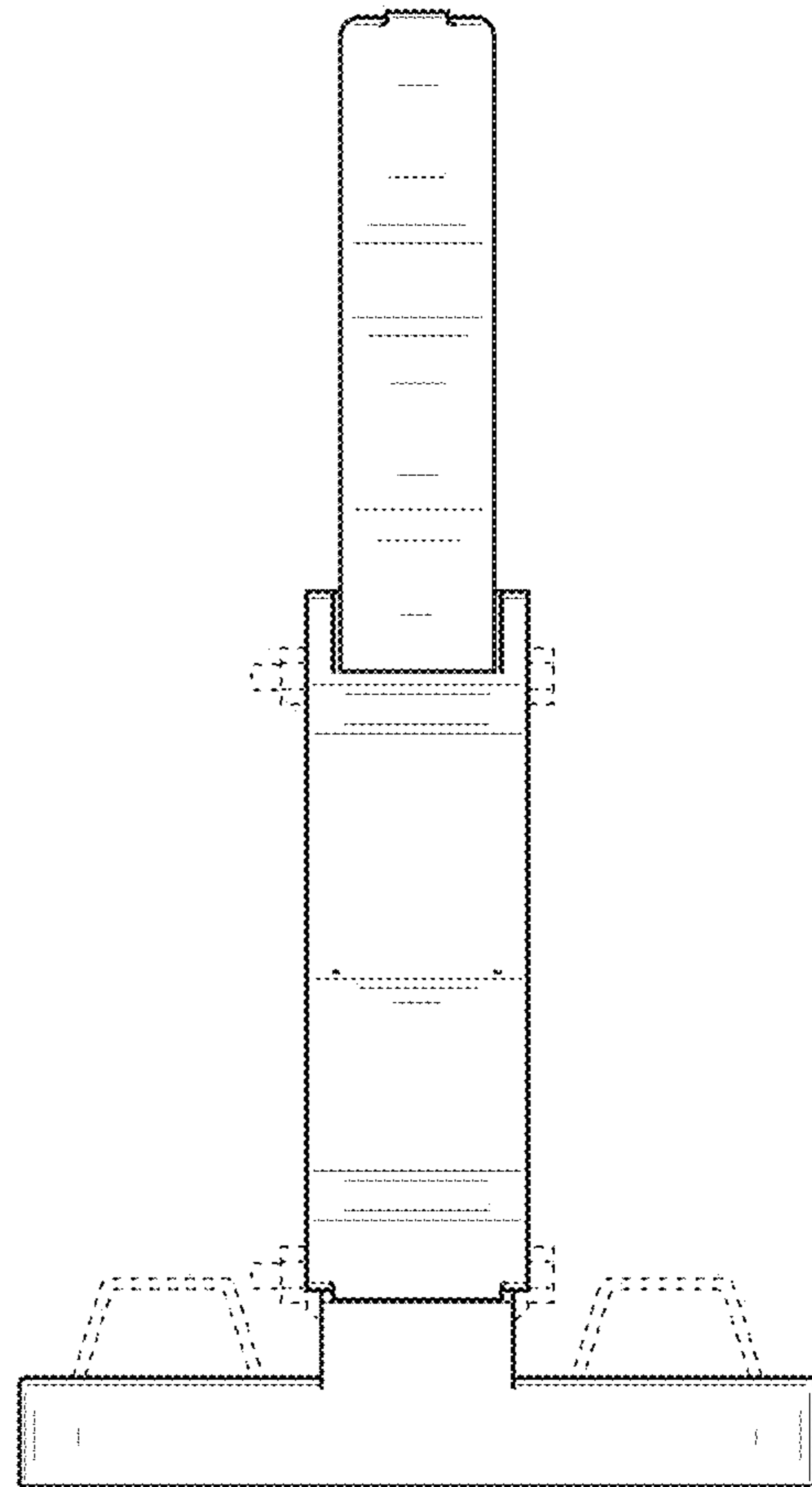


FIG. 7

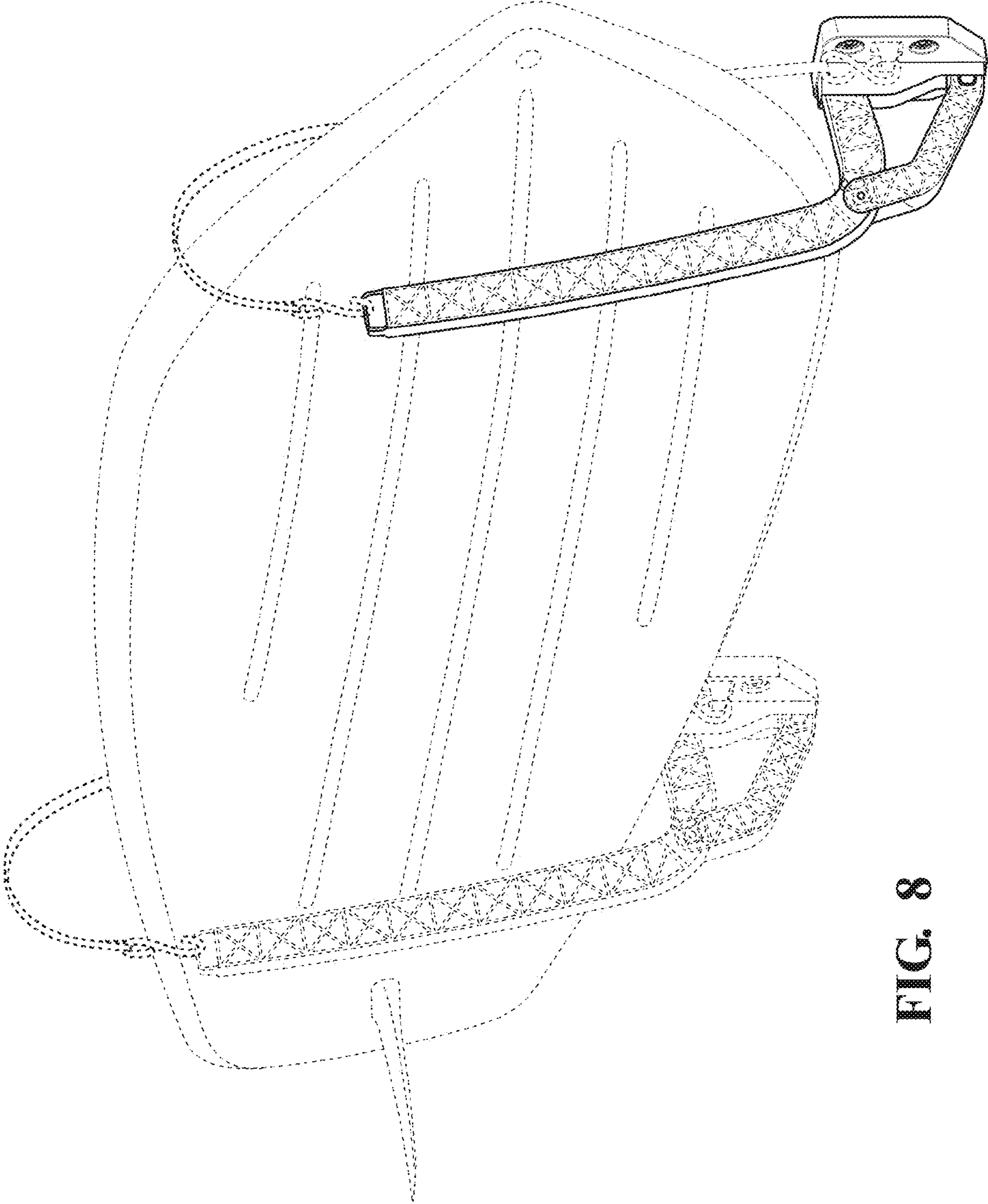


FIG. 8