



US00D878187S

(12) **United States Design Patent** (10) **Patent No.:** **US D878,187 S**
Koerth (45) **Date of Patent:** **** *Mar. 17, 2020**

(54) **WALL MOUNT FOR A KAYAK**
(71) Applicant: **LACKS HOME PRODUCTS,**
Kentwood, MI (US)
(72) Inventor: **Aaron Koerth,** Hudsonville, MI (US)
(73) Assignee: **Lacks Home Products,** Kentwood, MI
(US)
(*) Notice: This patent is subject to a terminal dis-
claimer.
(**) Term: **15 Years**
(21) Appl. No.: **29/613,643**
(22) Filed: **Aug. 11, 2017**
(51) **LOC (12) Cl.** **08-05**
(52) **U.S. Cl.**
USPC **D8/373**
(58) **Field of Classification Search**
USPC D08/373, 358, 359, 354, 71, 330, 336,
D08/351, 356, 360.1, 363, 364, 367, 370,
D08/372, 379, 381, 382, 395, 396;
D06/349, 352; D09/426, 502, 750;
D10/72, 73, 89; D11/79, 93; D13/103,
D13/107; D19/67; D21/673, 674, 675,
D21/839, 840; D25/19, 62, 68, 69;
D26/40, 49; D29/122, 124; D30/153,
D30/155; D12/162; D34/24, 26
CPC B65H 75/40; B65H 75/4407; B65H
75/4471; B65H 2701/34; B65H 2701/32;
B65H 2511/142; B65H 29/008; B65H
2701/33; B65H 54/585; B65H 51/22;
B65H 75/08; B65H 75/02; B65H
2301/41485; B65H 75/4468; B65H
2301/414323; B65H 2301/414325; B65H
16/02; B65H 2301/4131; B65H 75/403;
B65H 75/441; B65D 85/66; B65D 85/67;
B66D 3/006; B66D 3/18; B66D 3/26;
B66D 3/02; B66D

(Continued)

(56) **References Cited**
U.S. PATENT DOCUMENTS
D191,609 S * 10/1961 Gordon D8/363
D279,092 S * 6/1985 Snaper D10/110
D298,727 S * 11/1988 Hansson D8/356
(Continued)

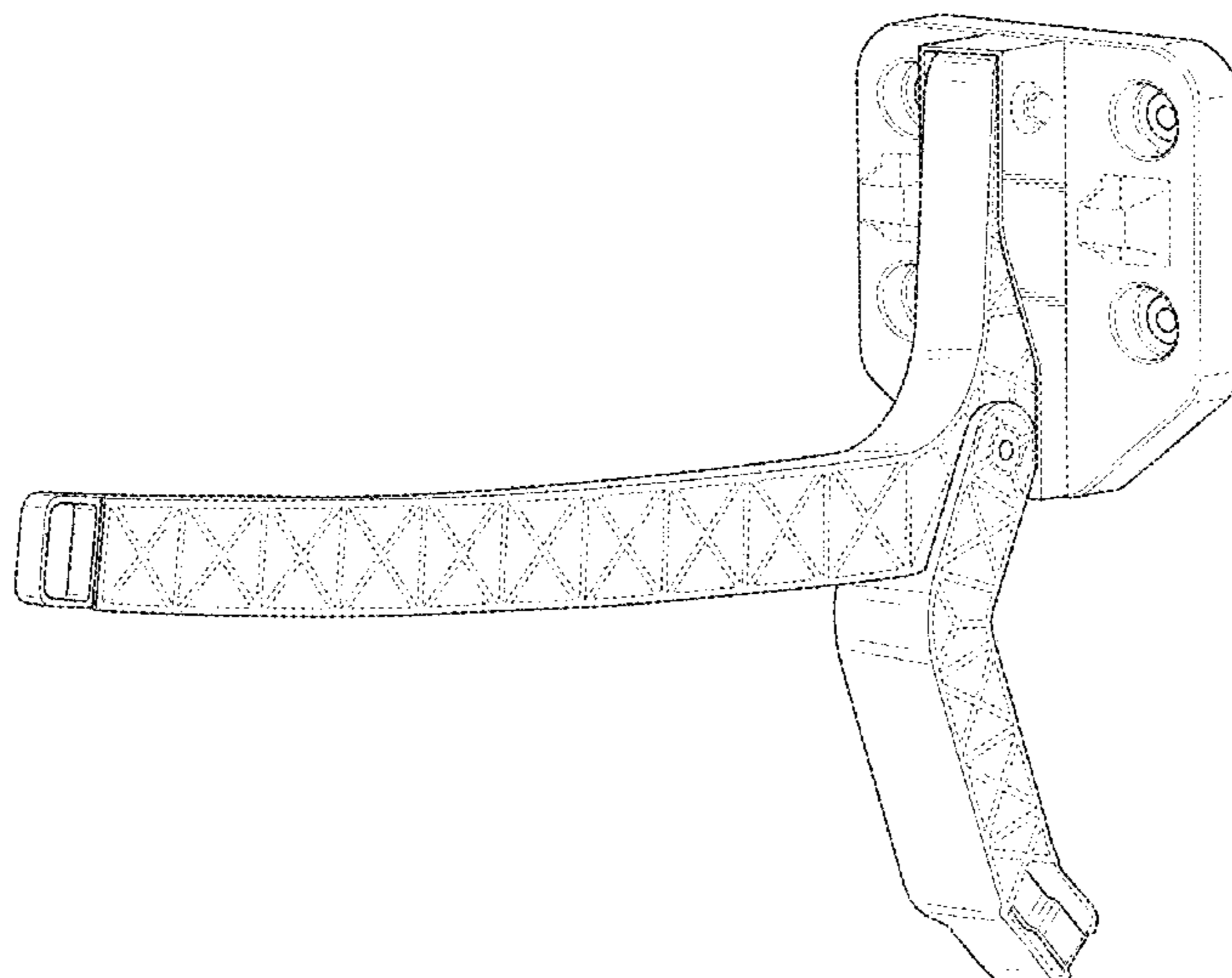
OTHER PUBLICATIONS
Nipper / Paddle Board Storage Rack / Rack-It-Up, posted unknown,
[retrieved Jan. 22, 2019]. Retrieved from Internet, <URL: https://
www.rackitup.com.au/products/nipper-paddle-board-storage-rack>.*
(Continued)

Primary Examiner — Karen E Kearney
Assistant Examiner — Kristen E Reed
(74) *Attorney, Agent, or Firm* — John S. Artz; Dickinson
Wright PLLC

(57) **CLAIM**
The ornamental design for a wall mount for a kayak, as
shown and described.

DESCRIPTION
FIG. 1 is a perspective view of a wall mount for a kayak
showing my new design;
FIG. 2 is a front view of the wall mount for a kayak;
FIG. 3 is a back view of the wall mount for a kayak;
FIG. 4 is a right side of the wall mount for a kayak;
FIG. 5 is a left side view of the wall mount for a kayak;
FIG. 6 is a top view of the wall mount for a kayak;
FIG. 7 is a bottom view of the wall mount for a kayak; and,
FIG. 8 is a perspective view of the wall mount for a kayak
illustrating an example environment of the wall mount for a
kayak.
The broken lines showing the kayak in FIG. 8 depict
environment. The remaining broken lines shown in the
figures depict portions of the wall mount for a kayak. The
broken lines form no part of the claimed design.

1 Claim, 6 Drawing Sheets



(58) **Field of Classification Search**

CPC 3/14; B63B 21/18; B63B 21/26; B65B 57/005; A61G 7/1051; A61G 7/1061; B66B 11/08; A62C 33/04; B08B 2203/0276; B21C 47/28; H02G 11/02; A01K 89/003; A01D 34/822; H04M 1/15; A47L 9/26; H04R 1/1033; E05C 19/10; E05C 17/50; E05C 3/045; E05C 3/30; E05C 19/02; E05C 19/026; A47G 25/0614; A47G 25/18; A47G 25/32; A47G 7/047; A47G 7/045; A47G 7/042; A47G 7/044; F16B 12/44; F16B 12/46; F16B 5/0614; F16B 12/02; E04B 1/2612; E04B 2001/2415; E04B 1/5818; E04B 1/5831; A47B 88/0055; E04F 11/1812; F16L 1/0246; A01G 9/024; A01G 25/14; A01G 27/001; A01G 9/042; A01G 27/005; A01G 31/001; A01G 9/02; A01G 9/083; A01G 9/12; B60D 1/185; B60P 7/083; B60P 7/0853; B60P 7/0823; Y10S 24/909; Y10T 24/2164; Y10T 24/2175

See application file for complete search history.

(56) **References Cited**

U.S. PATENT DOCUMENTS

4,997,116 A * 3/1991 Grim B60R 9/06
211/18

D332,951 S * 2/1993 Seats D15/5
D394,927 S * 6/1998 Doyle D32/60
D581,252 S * 11/2008 Short D8/354
D614,940 S * 5/2010 Gaska D8/373
D616,733 S * 6/2010 Kleinsasser D8/373
D619,879 S * 7/2010 McCarthy D8/354
D781,727 S * 3/2017 Jackson D10/65
2015/0080781 A1 * 3/2015 Connolly A61F 5/0127
602/28
2017/0210590 A1 * 7/2017 Kopp B65H 75/4465

OTHER PUBLICATIONS

Bluewave Kayaks Products Accessories Kayak Wall Rack, posted unknown, [retrieved Jan. 22, 2019]. Retrieved from Internet, <URL: <https://bluewavekayaks.com/product/kayak-wall-rack/> >.*

Canoe and Kayak Storage options, posted unknown, [retrieved Jan. 22, 2019]. Retrieved from Internet, <URL: http://www.craigmarine.info/yacht_boat/builders/canoe_boat/Canoe-Storage.htm >.*

StoreYourBoard Metal Surfboard Storage Rack—4 Surf Adjustable Home Wall Mount, posted as early as Sep. 11, 2016, [retrieved Jan. 22, 2019]. Retrieved from Internet, <URL: <https://www.amazon.com/StoreYourBoard-Metal-Surfboard-Storage-Rack/dp/B01KAG4GDU> >.*

* cited by examiner

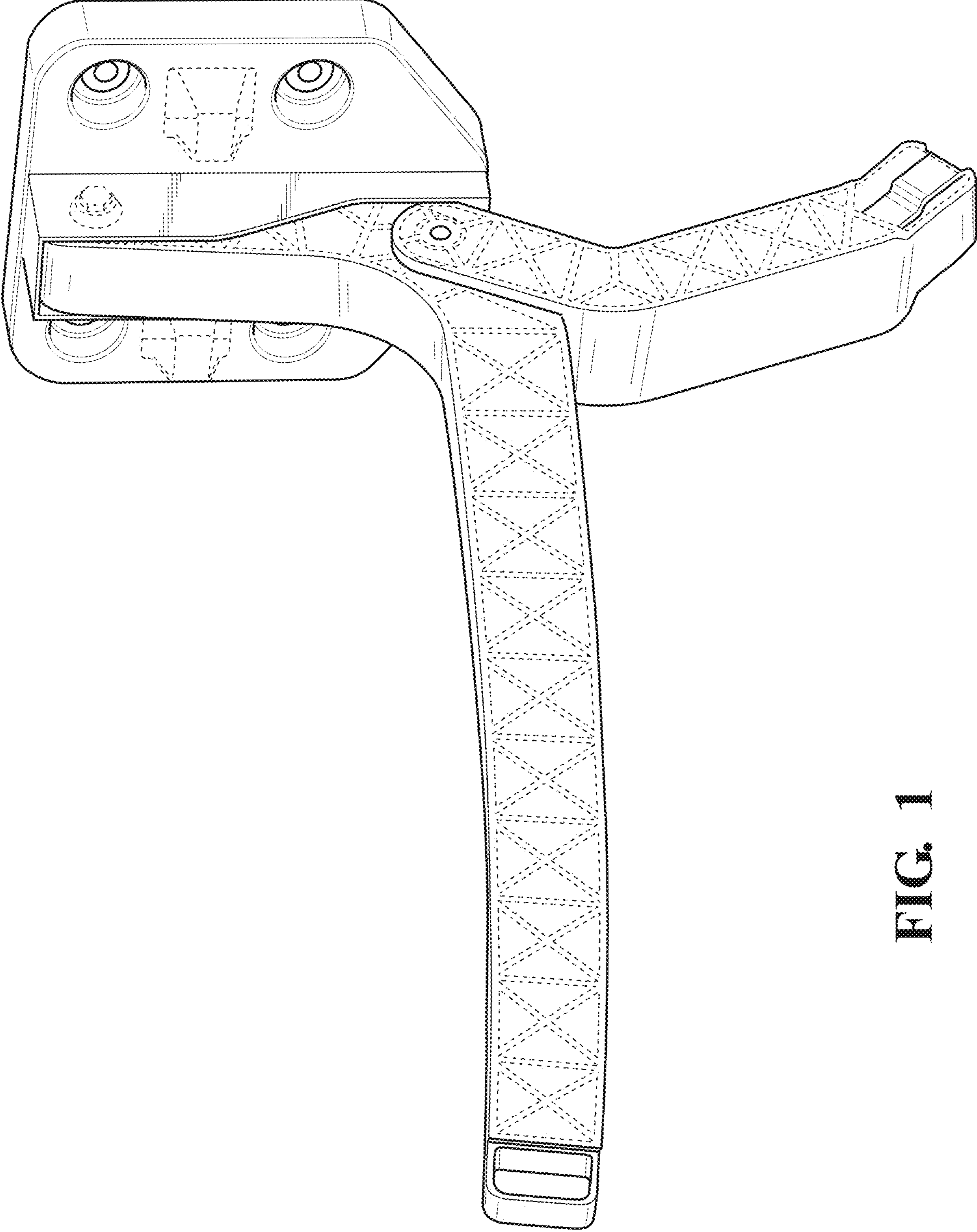


FIG. 1

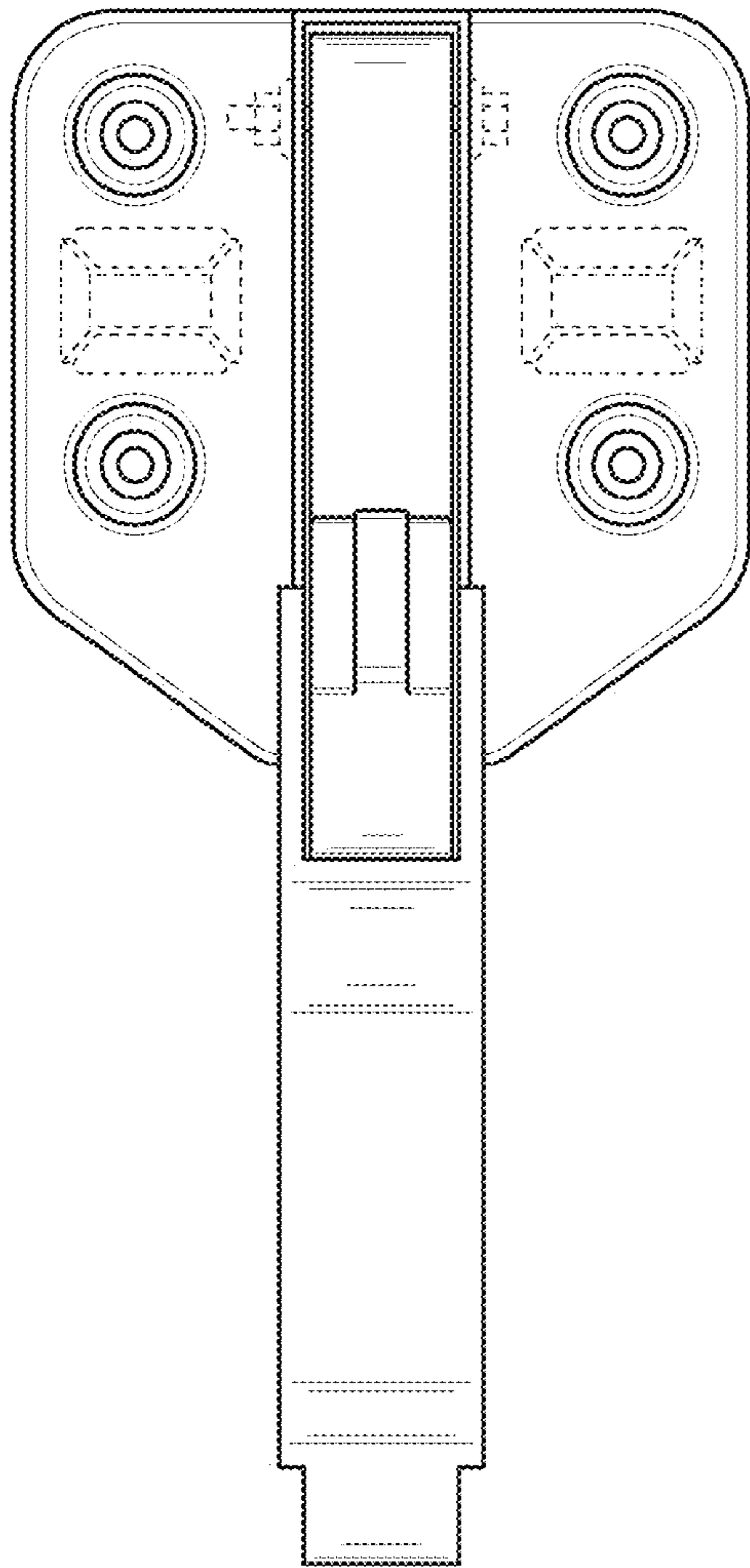


FIG. 2

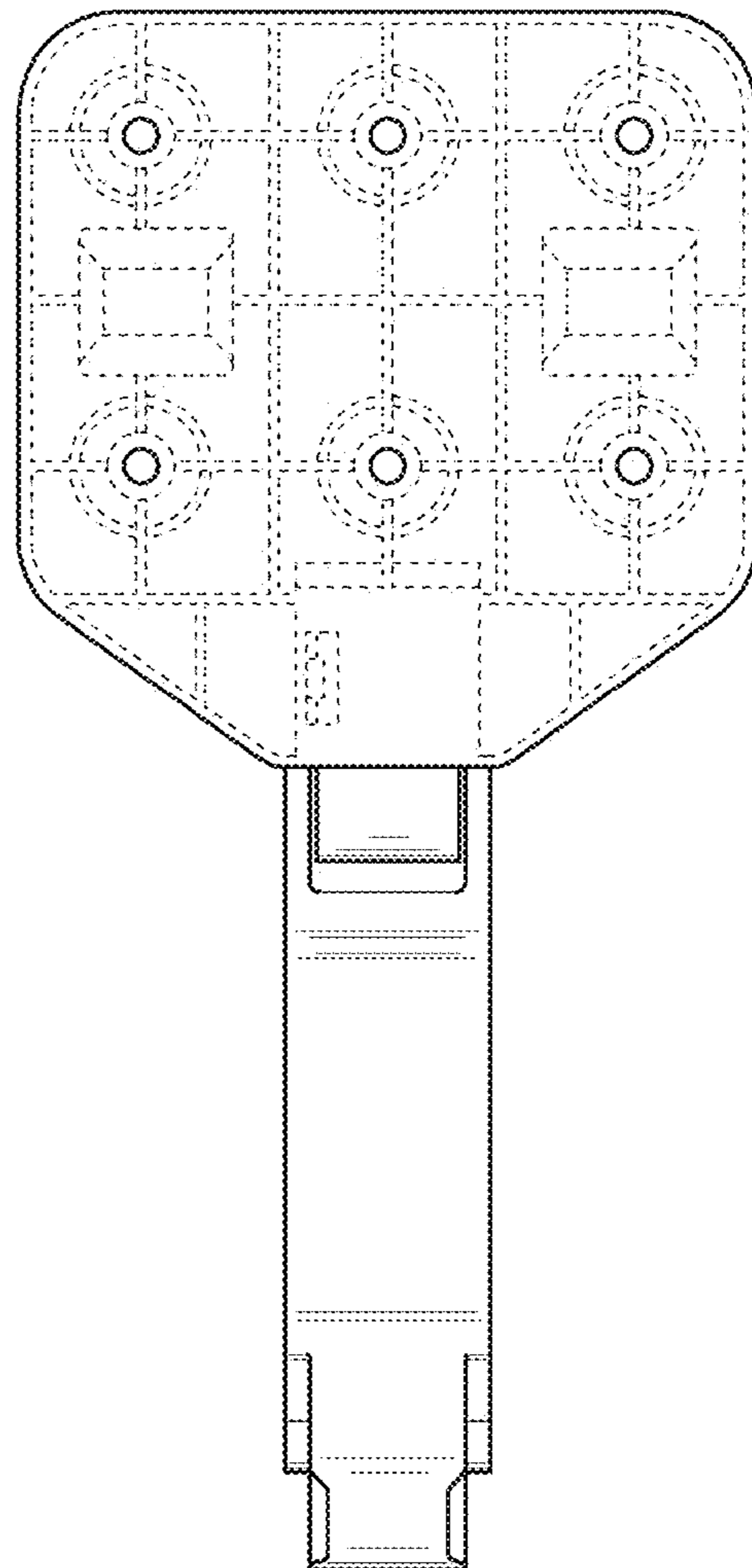


FIG. 3

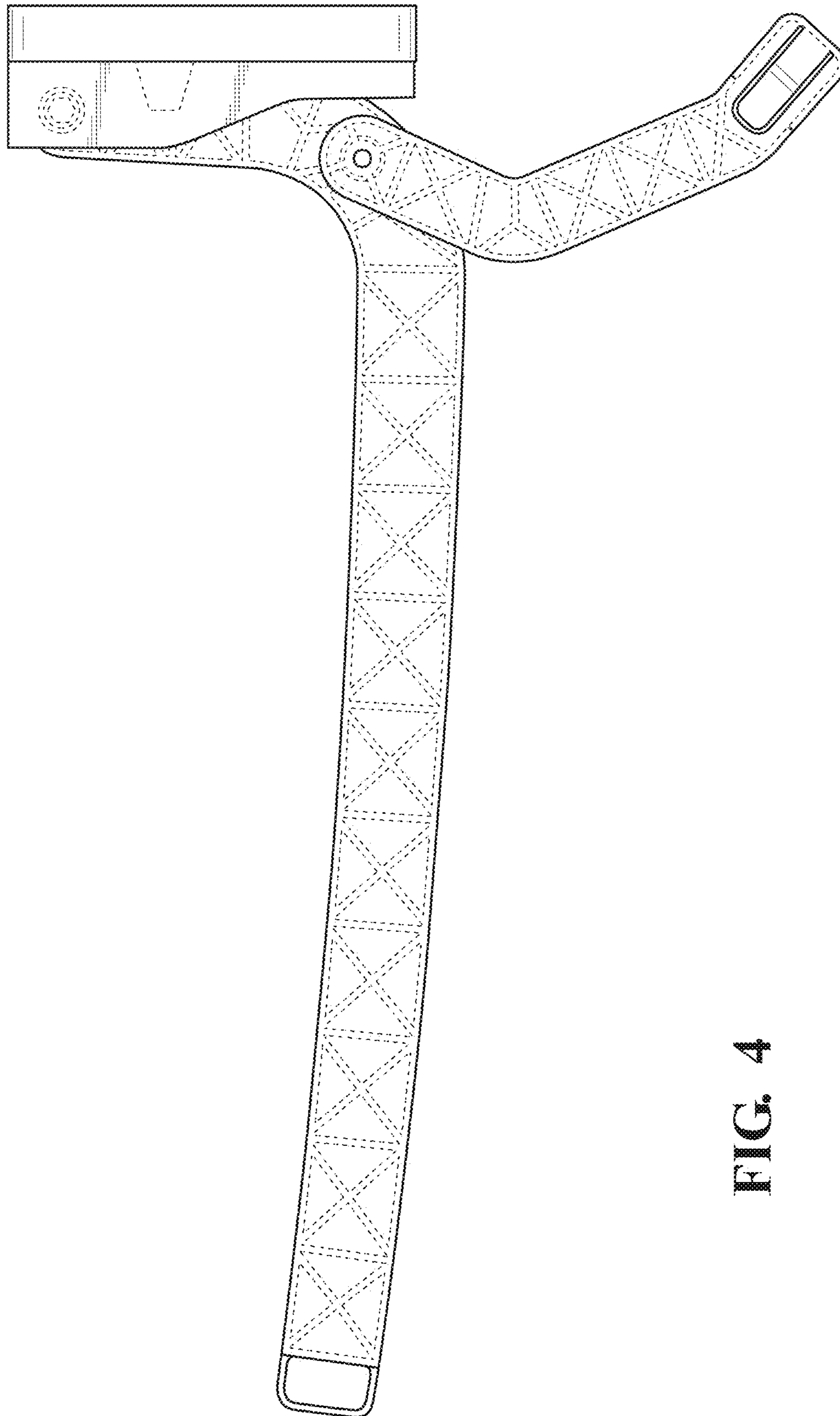


FIG. 4

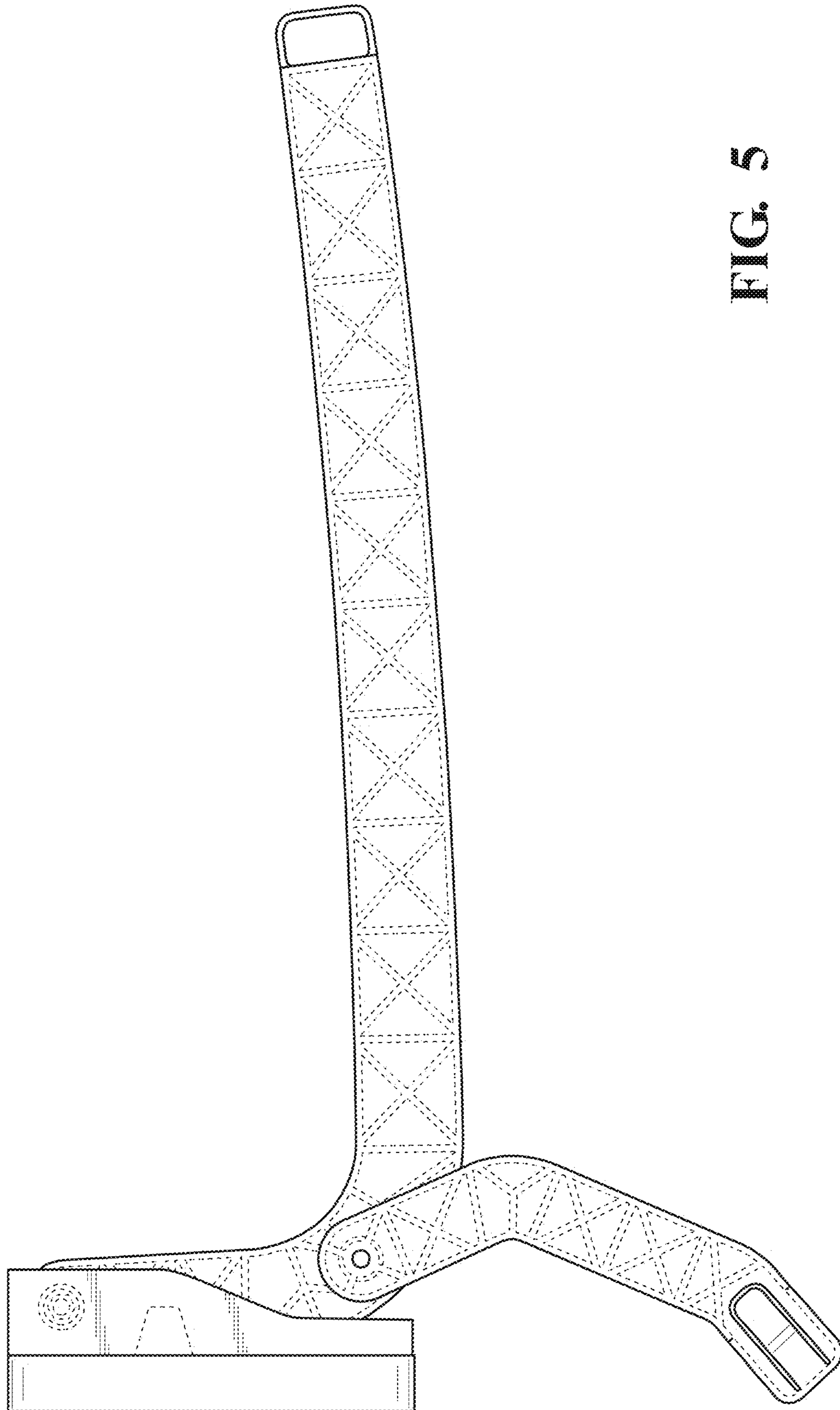


FIG. 5

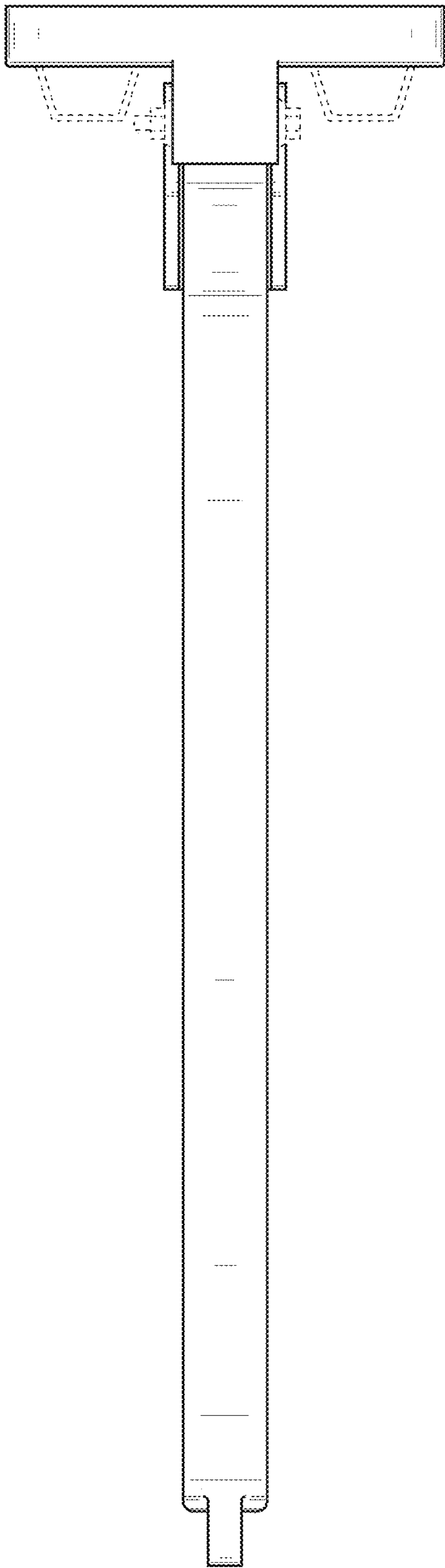


FIG. 6

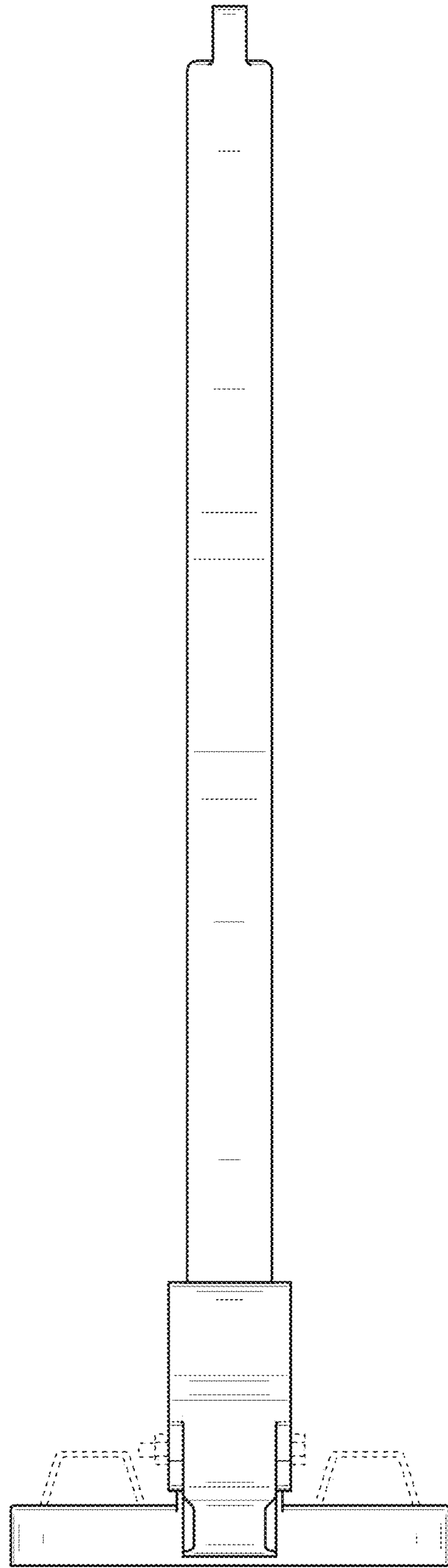


FIG. 7

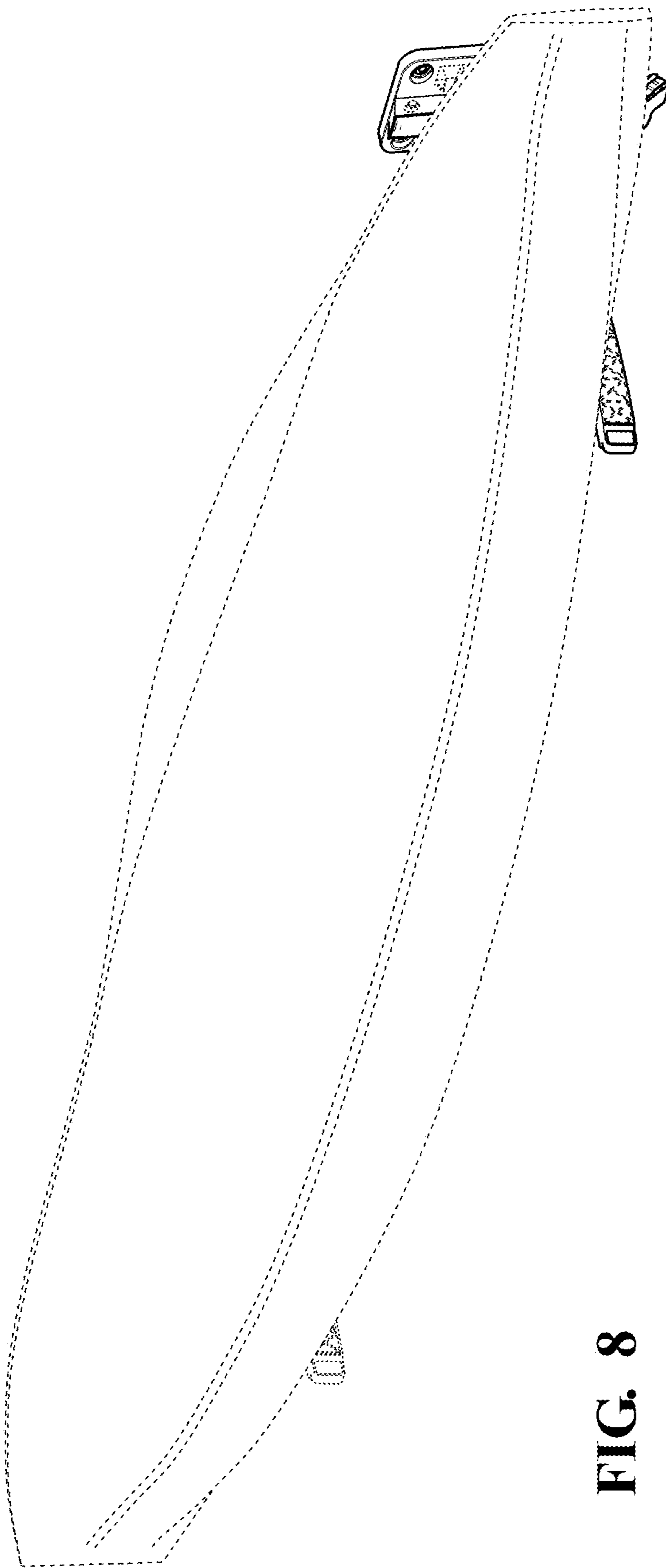


FIG. 8