



US00D878185S

(12) **United States Design Patent**
Petzl

(10) **Patent No.:** **US D878,185 S**
(45) **Date of Patent:** **** Mar. 17, 2020**

(54) **MECHANICAL PRUSIK**

(71) Applicant: **ZEDEL**, Crolles (FR)

(72) Inventor: **Paul Petzl**, Barraux (FR)

(73) Assignee: **ZEDEL**, Crolles (FR)

(**) Term: **15 Years**

(21) Appl. No.: **29/672,345**

(22) Filed: **Dec. 5, 2018**

(30) **Foreign Application Priority Data**

Jul. 17, 2018 (EM) 005504867-0002

(51) **LOC (12) Cl.** **09-06**

(52) **U.S. Cl.**
USPC **D8/356**

(58) **Field of Classification Search**
USPC D8/356, 354, 349, 99, 105, 360;
D13/155; 320/107; 403/322.2; D3/201;
431/274

CPC H02J 7/0026; H02J 7/0021; H02J 7/0027;
Y02E 60/12; F16B 45/00; F16B 7/042;
F23Q 1/06; A63B 29/02; A62B 1/14;
B65H 57/16

See application file for complete search history.

(56) **References Cited**

U.S. PATENT DOCUMENTS

3,743,050 A * 7/1973 Danz H02G 1/02
182/9
6,981,571 B2 * 1/2006 Diggle A63B 27/00
182/133
7,658,264 B2 * 2/2010 Mauthner A62B 1/14
182/5
D687,700 S * 8/2013 Petzl D8/360

D708,507 S * 7/2014 Fretz D8/360
8,950,550 B2 * 2/2015 Maurice A62B 1/14
182/193
9,498,655 B2 * 11/2016 Paglioli A62B 1/14
D807,730 S * 1/2018 Wu D8/356
D819,429 S * 6/2018 Newing D8/356
D843,813 S * 3/2019 Tillitski D8/356
2004/0020727 A1 * 2/2004 Petzl A62B 1/14
188/65.1
2006/0081418 A1 * 4/2006 Thompson A63B 29/02
182/193
2011/0315480 A1 * 12/2011 Maurice A62B 1/14
182/193
2013/0180800 A1 * 7/2013 Mauthner A62B 1/14
182/5
2014/0020983 A1 * 1/2014 Casebolt A62B 1/14
182/241

* cited by examiner

Primary Examiner — Cynthia R Underwood

(74) *Attorney, Agent, or Firm* — Oliff PLC

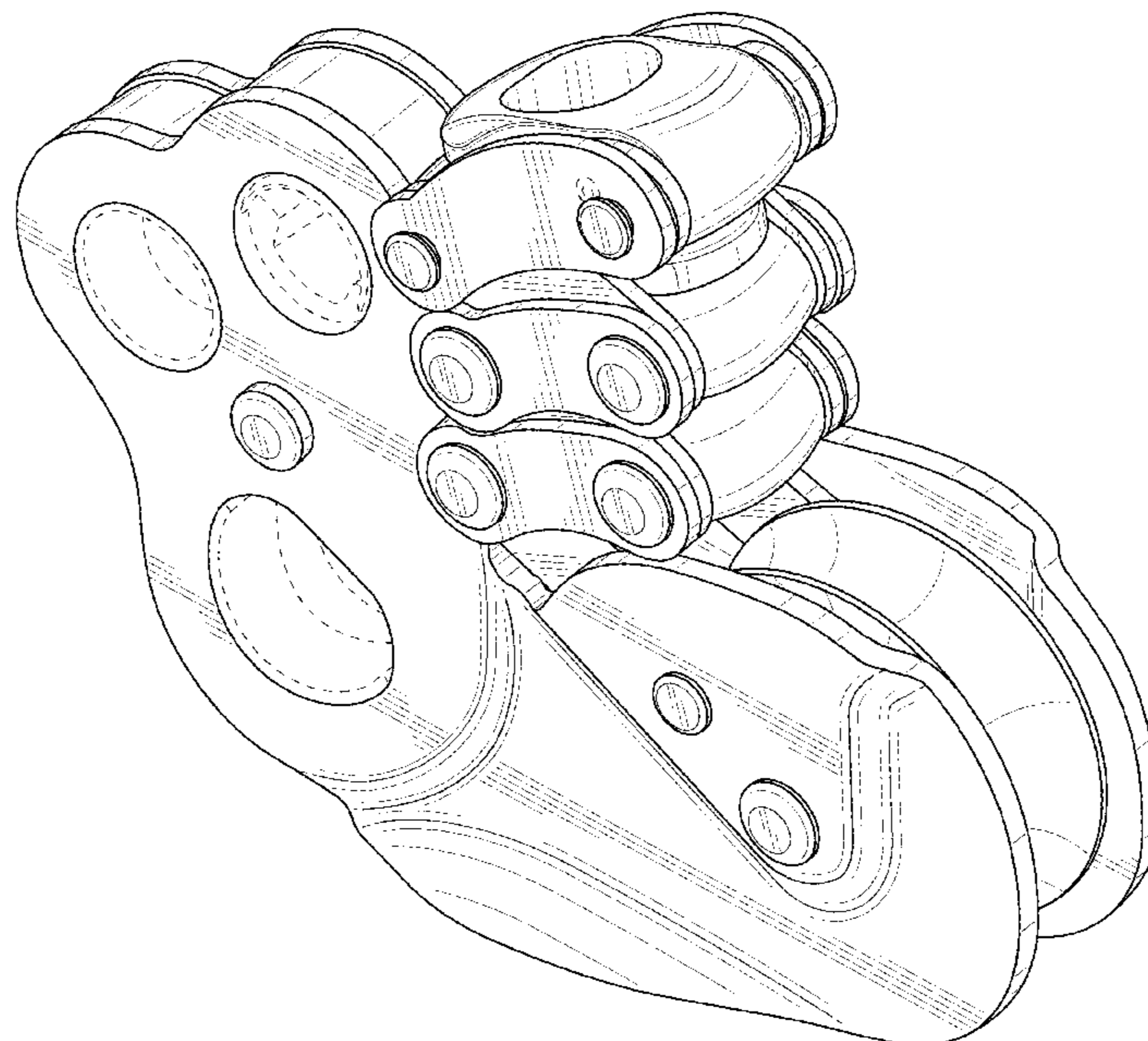
(57) **CLAIM**

The ornamental design for a mechanical prusik, as shown and described.

DESCRIPTION

FIG. 1 is a front, left-side, top perspective view of the mechanical prusik;
FIG. 2 is a rear, right-side, bottom perspective view thereof;
FIG. 3 is a front elevational view thereof;
FIG. 4 is a rear elevational view thereof;
FIG. 5 is a left-side elevational view thereof;
FIG. 6 is a right-side elevational view thereof;
FIG. 7 is a top plan view thereof; and,
FIG. 8 is a bottom plan view thereof.
The broken lines depict portions of the mechanical prusik that form no part of the claimed design.

1 Claim, 8 Drawing Sheets



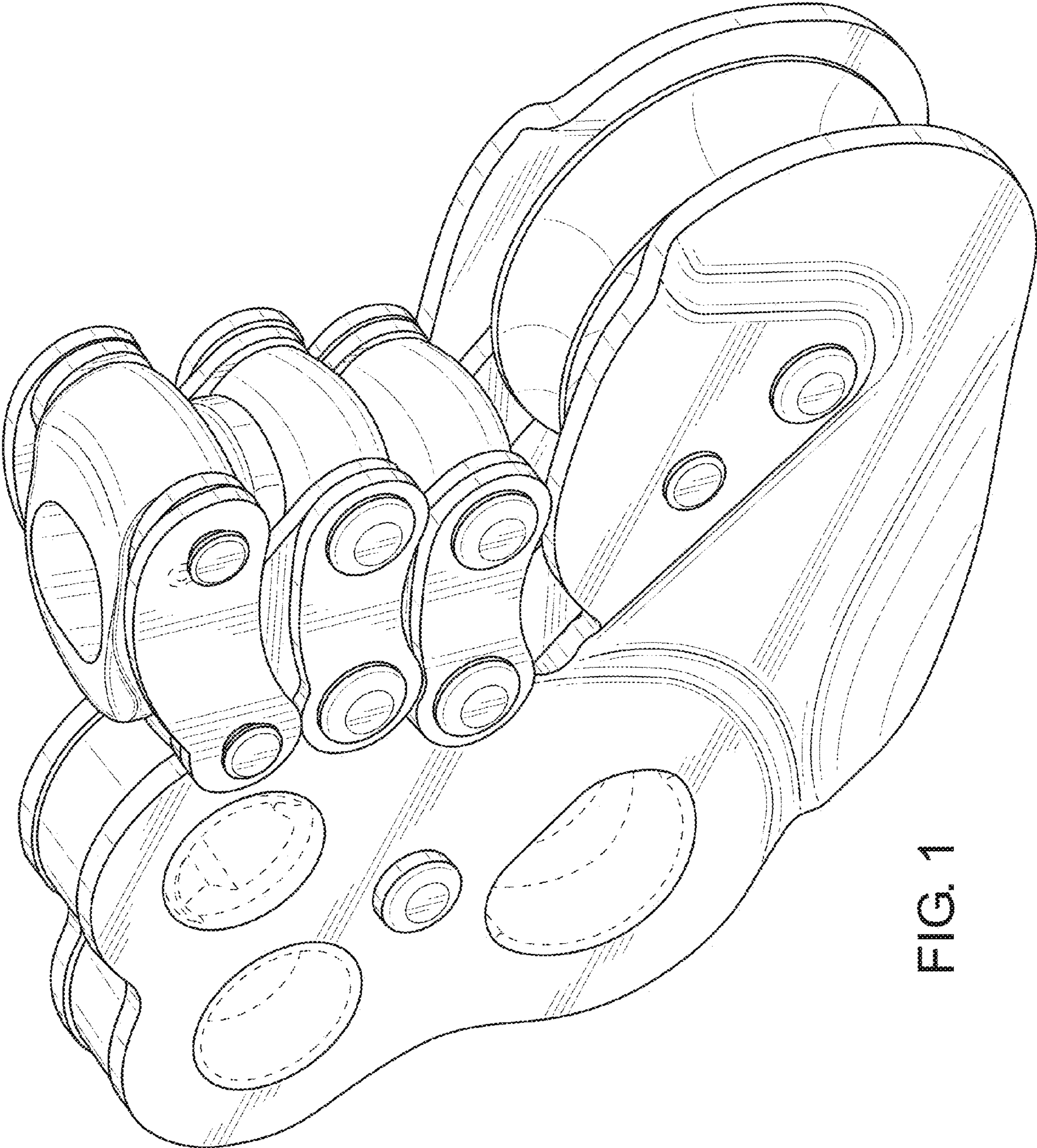


FIG. 1

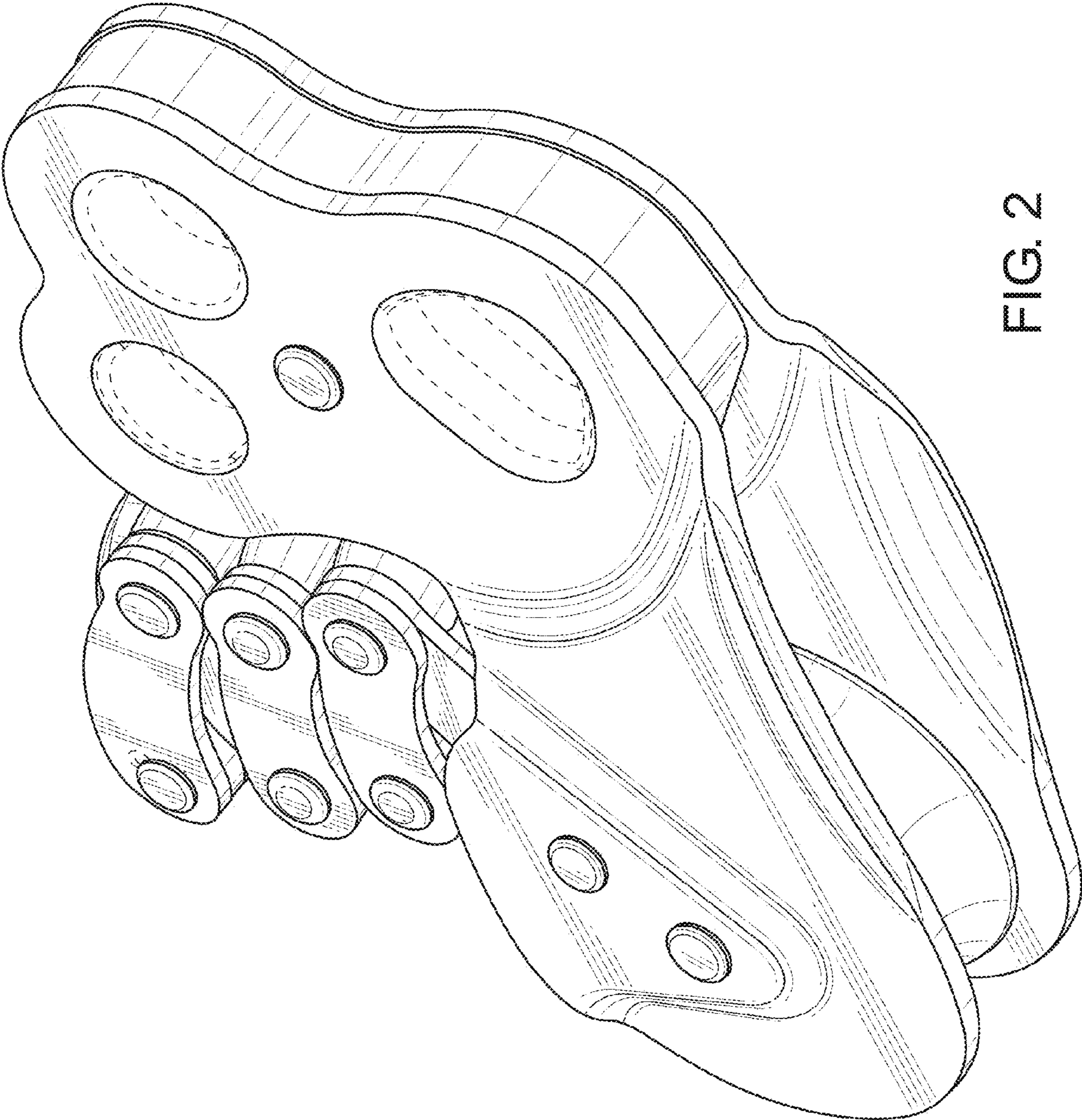


FIG. 2

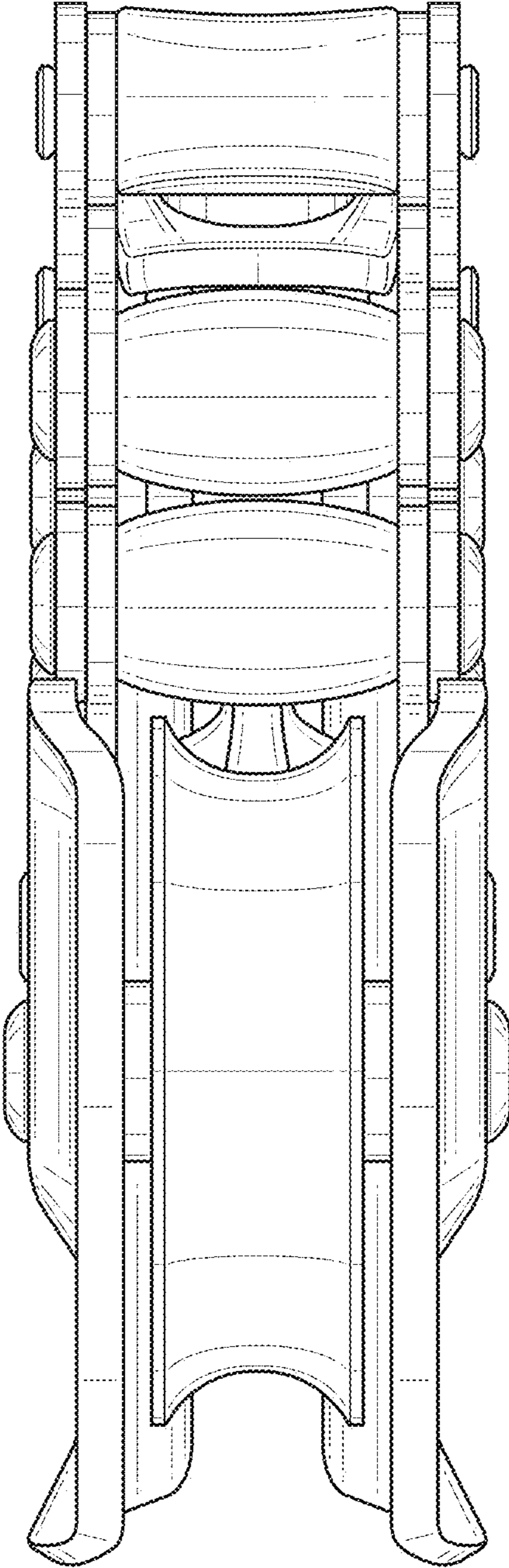


FIG. 3

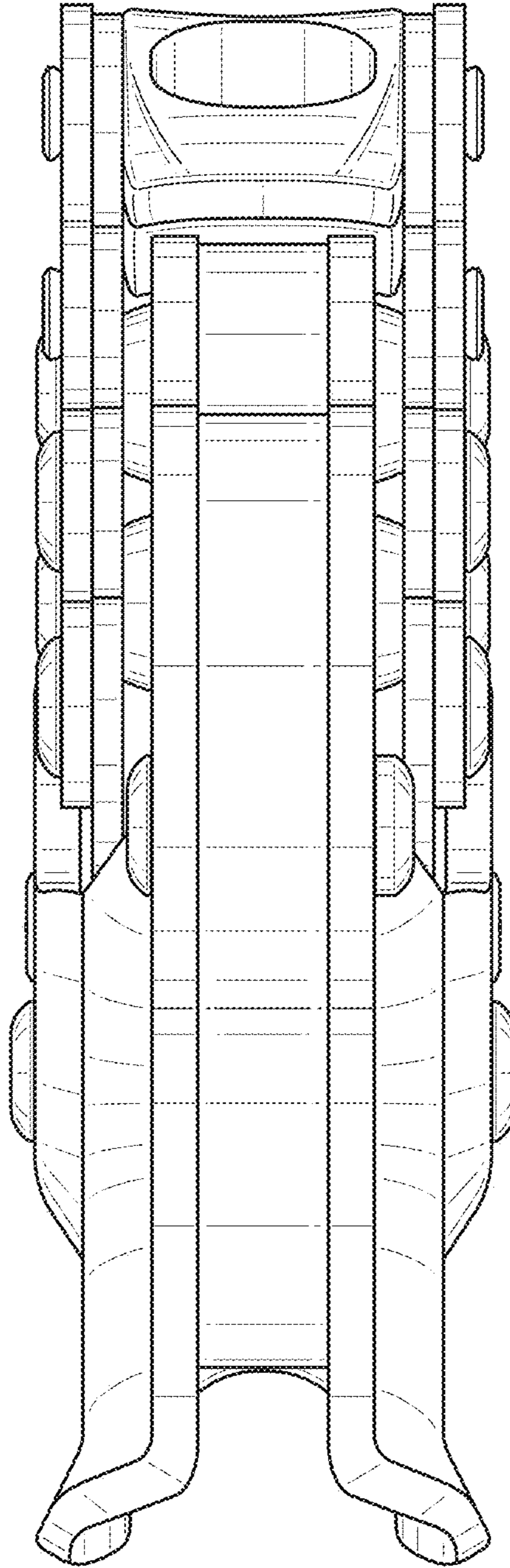


FIG. 4

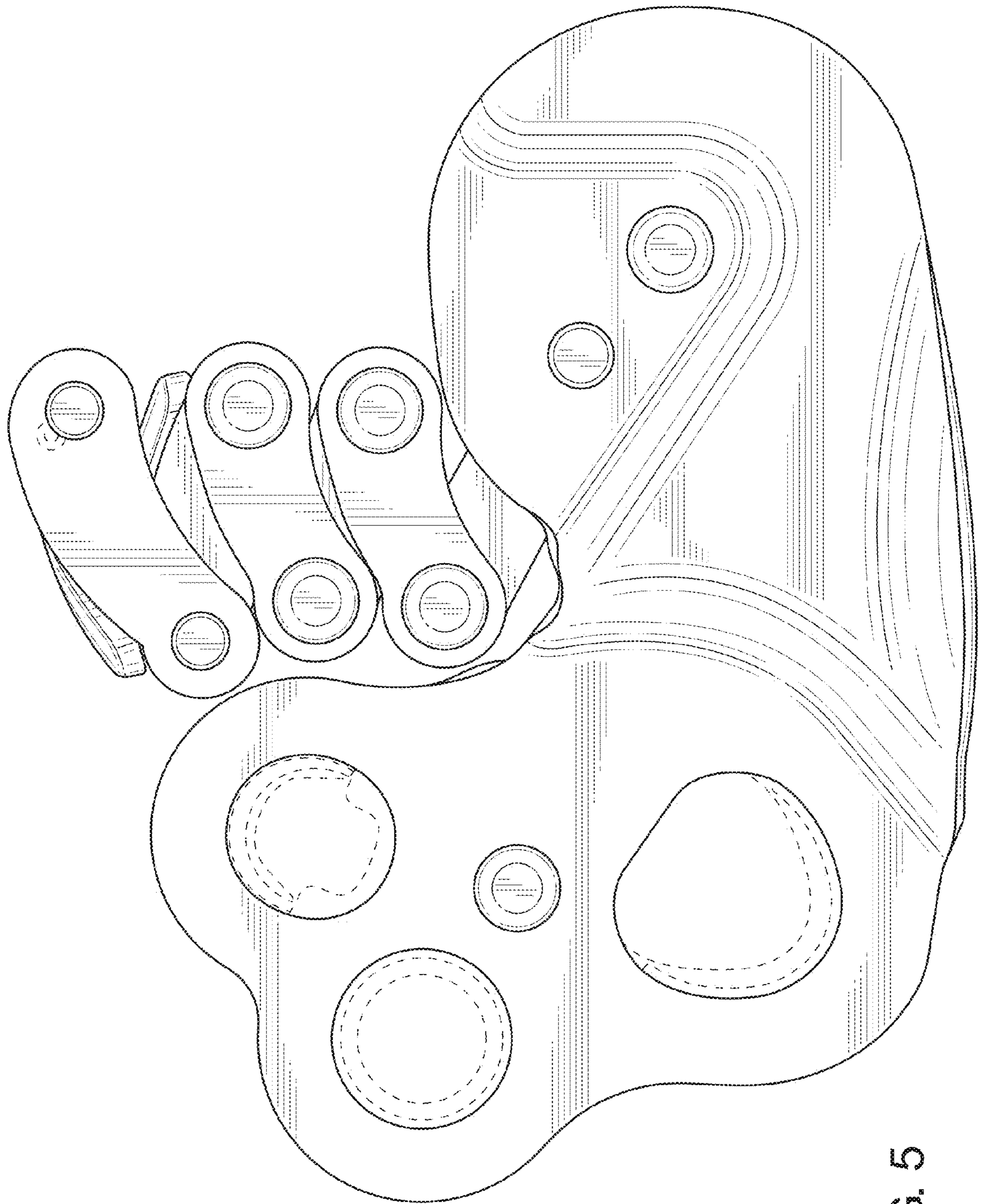


FIG. 5

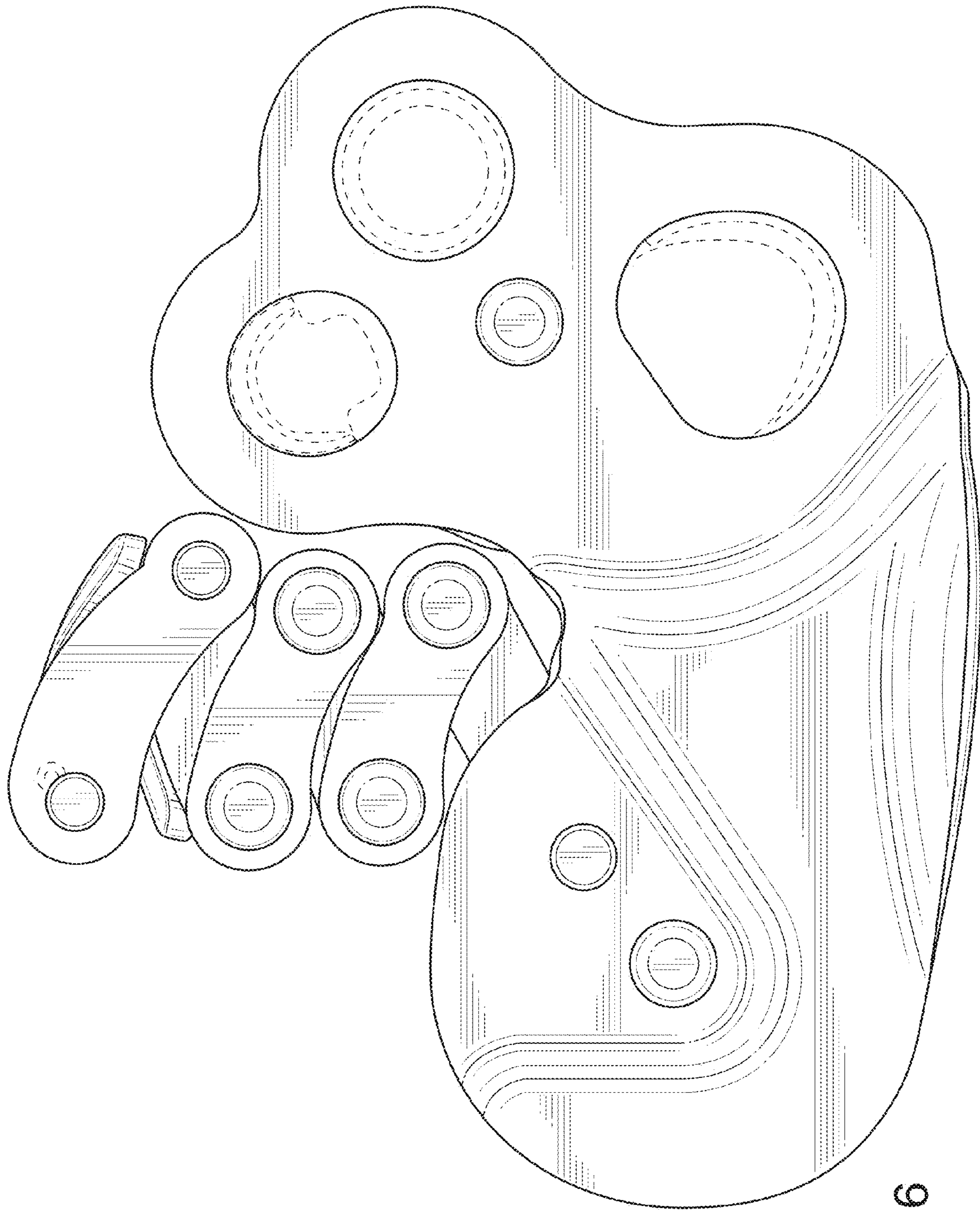


FIG. 6

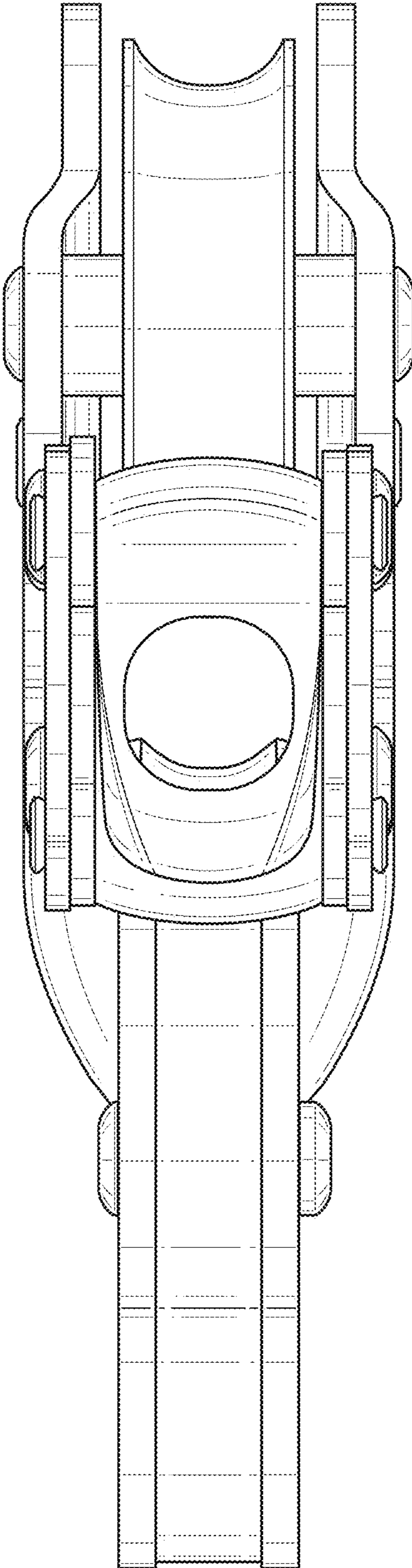


FIG. 7

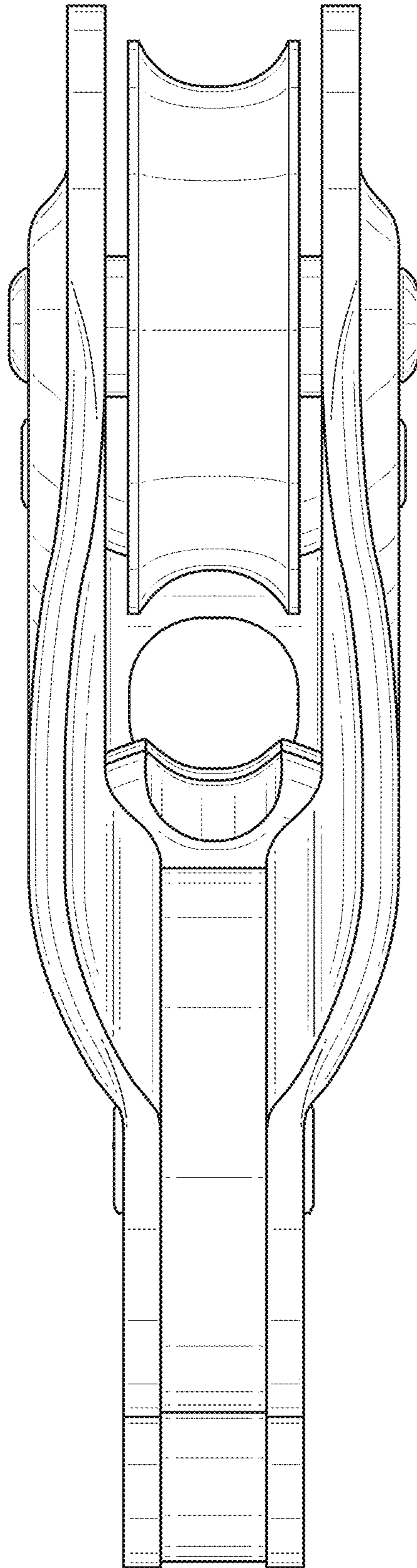


FIG. 8