



US00D878184S

(12) **United States Design Patent**
Holloway

(10) **Patent No.:** **US D878,184 S**
(45) **Date of Patent:** **** Mar. 17, 2020**

(54) **CONTRACTOR BRACKET FOR A SECTIONAL DOOR**

(71) Applicant: **Graham Holloway**, Santa Maria, CA (US)

(72) Inventor: **Graham Holloway**, Santa Maria, CA (US)

(**) Term: **15 Years**

(21) Appl. No.: **29/659,093**

(22) Filed: **Aug. 6, 2018**

(51) **LOC (12) Cl.** **08-08**

(52) **U.S. Cl.**

USPC **D8/354**; D8/394

(58) **Field of Classification Search**

USPC D8/349, 354, 363, 366, 371, 373, 376, D8/377, 380, 381, 394-396, 400; D25/49; 16/94 R, 95 R, 235, 249, 333, 16/344, DIG. 34, DIG. 40; 160/196.1, 160/199, 206; 248/200, 240, 291.1, 248/292.11, 298.1

CPC F16C 1/26; B66B 7/02; B65G 21/20
See application file for complete search history.

(56) **References Cited**

U.S. PATENT DOCUMENTS

6,463,625 B2 * 10/2002 Mittag E05D 15/0639 16/105
6,543,608 B2 * 4/2003 Ledingham B65G 21/2072 198/836.3

D502,387 S * 3/2005 Hyakkoku D8/354
7,234,502 B2 * 6/2007 O'Malley E05D 13/1261 160/191
7,721,387 B1 * 5/2010 Mullet E05D 15/24 16/94 R
D701,260 S * 3/2014 Burton D16/242

* cited by examiner

Primary Examiner — Randall H Gholson

(74) *Attorney, Agent, or Firm* — Ted Masters

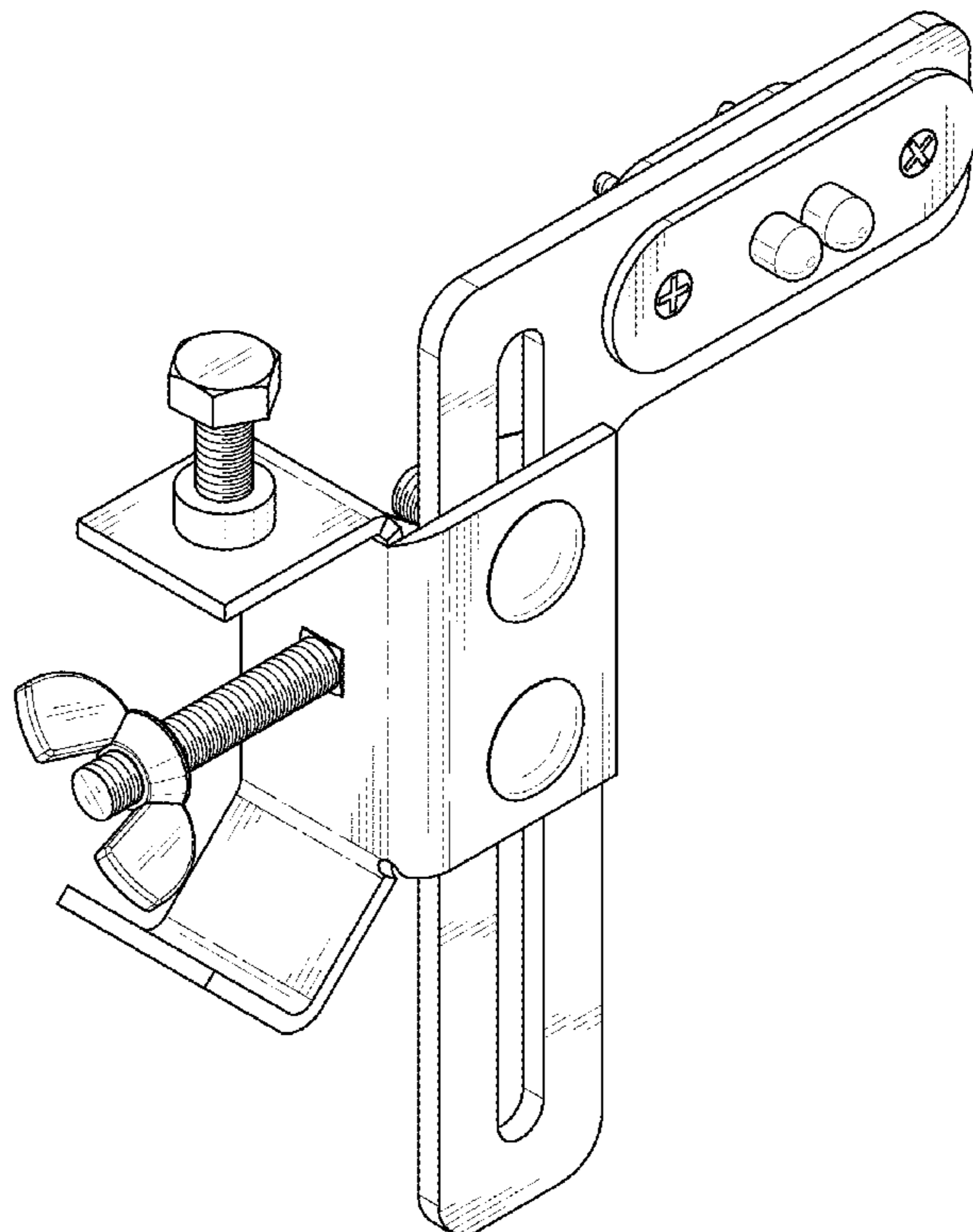
(57) **CLAIM**

The ornamental design for a contactor bracket for a sectional door, as shown.

DESCRIPTION

FIG. 1 is a top front perspective view of the contactor bracket for a sectional door;
FIG. 2 is a front elevation view of the contactor bracket for a sectional door;
FIG. 3 is a rear elevation view of the contactor bracket for a sectional door;
FIG. 4 is a side elevation view of the contactor bracket for a sectional door;
FIG. 5 is an opposite side elevation view of the contactor bracket for a sectional door;
FIG. 6 is a top plan view of the contactor bracket for a sectional door;
FIG. 7 is a bottom plan view of the contactor bracket for a sectional door; and,
FIG. 8 is a bottom rear perspective view of the contactor bracket for a sectional door.

1 Claim, 7 Drawing Sheets



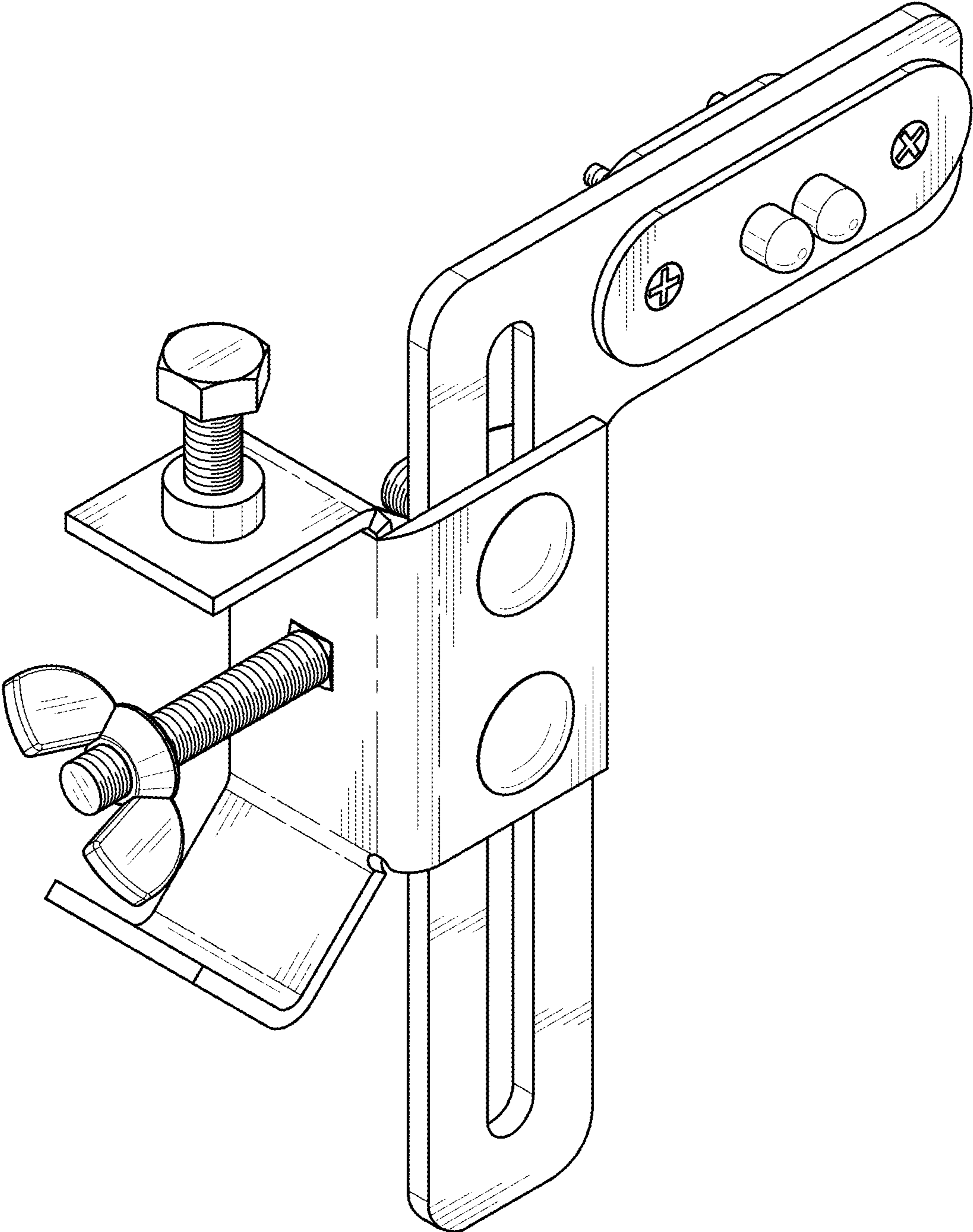


FIG. 1

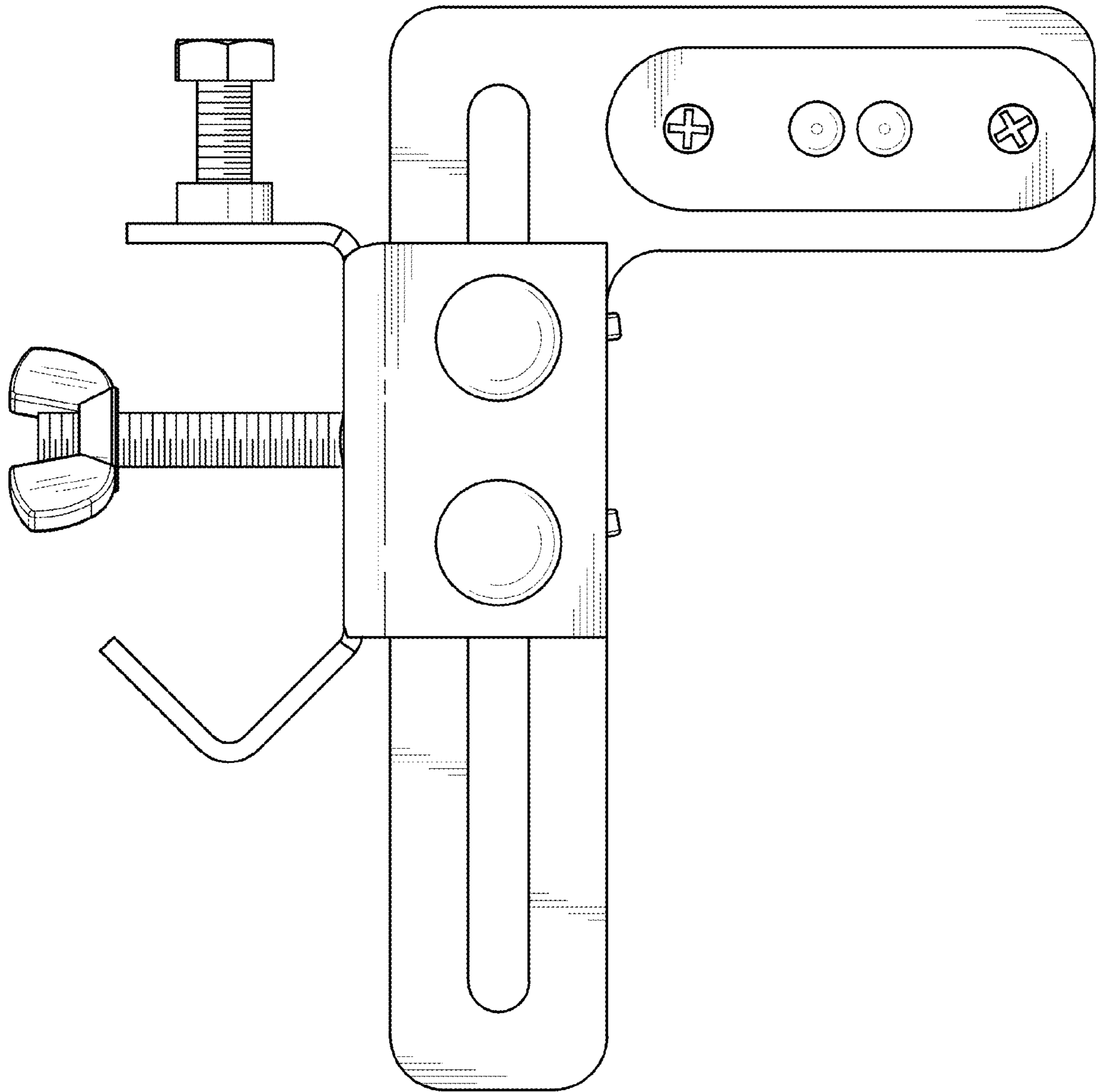


FIG. 2

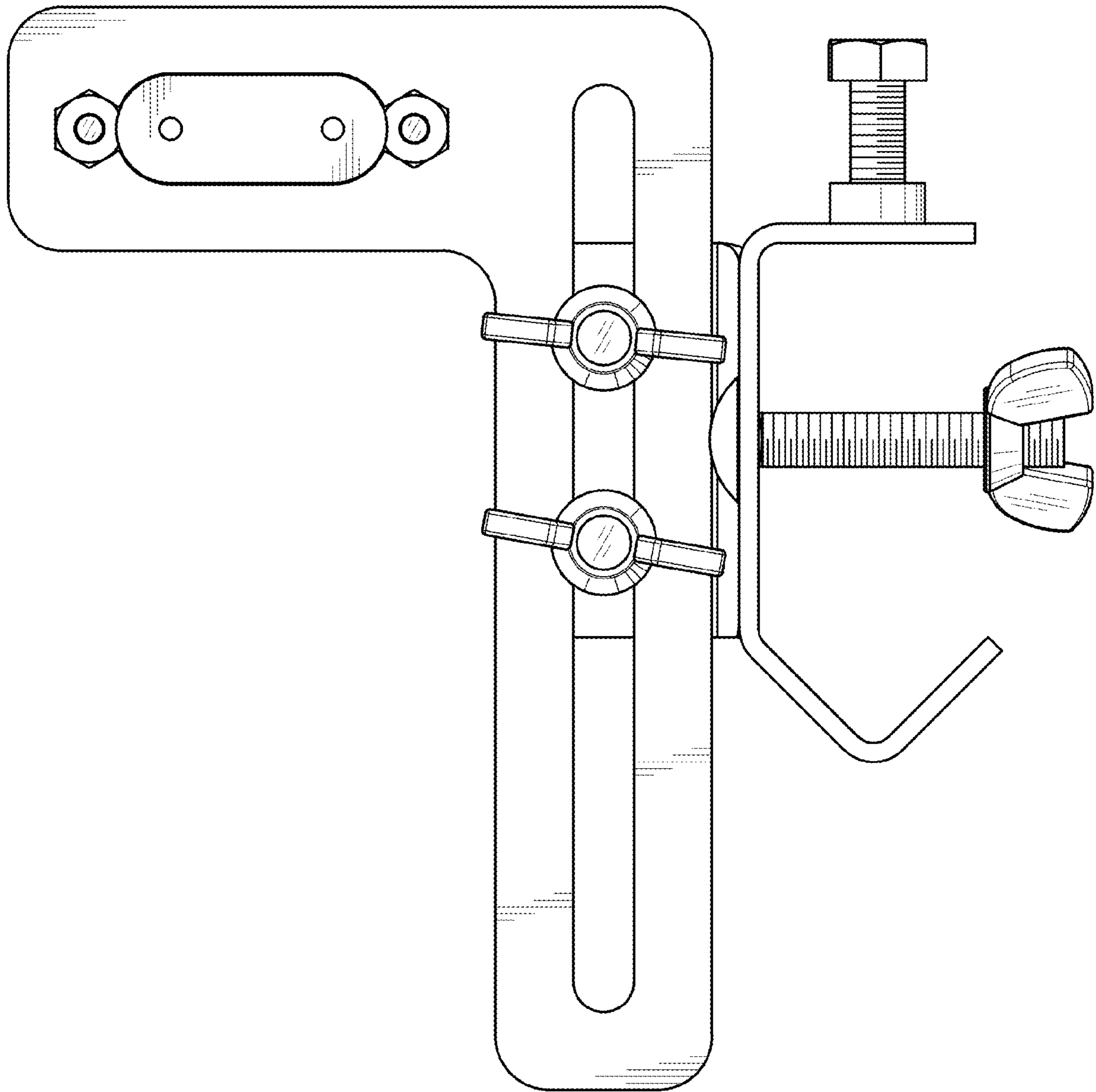


FIG. 3

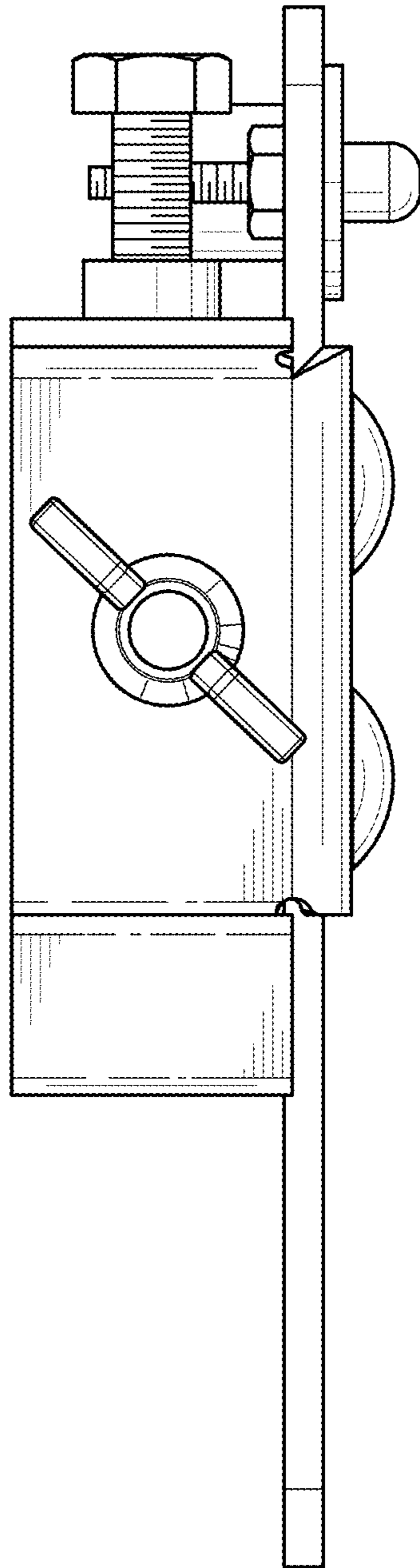


FIG. 4

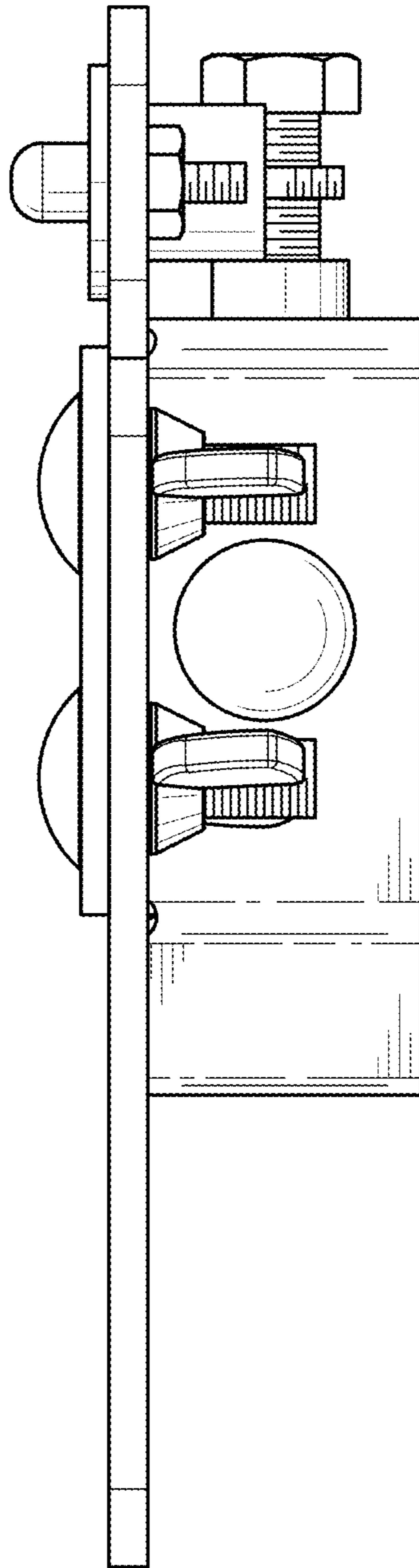


FIG. 5

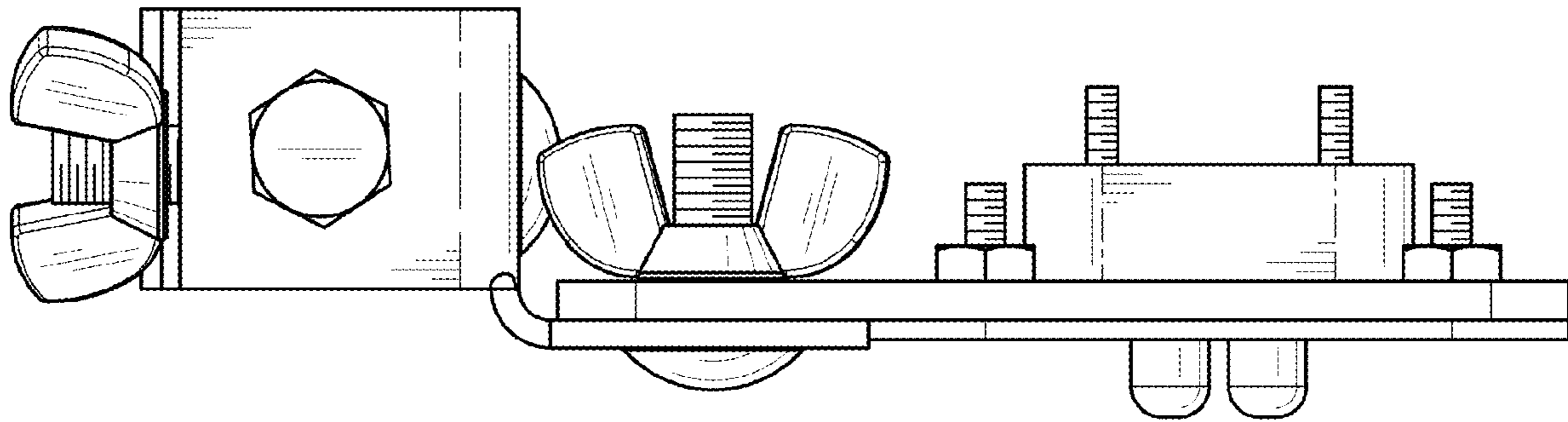


FIG. 6

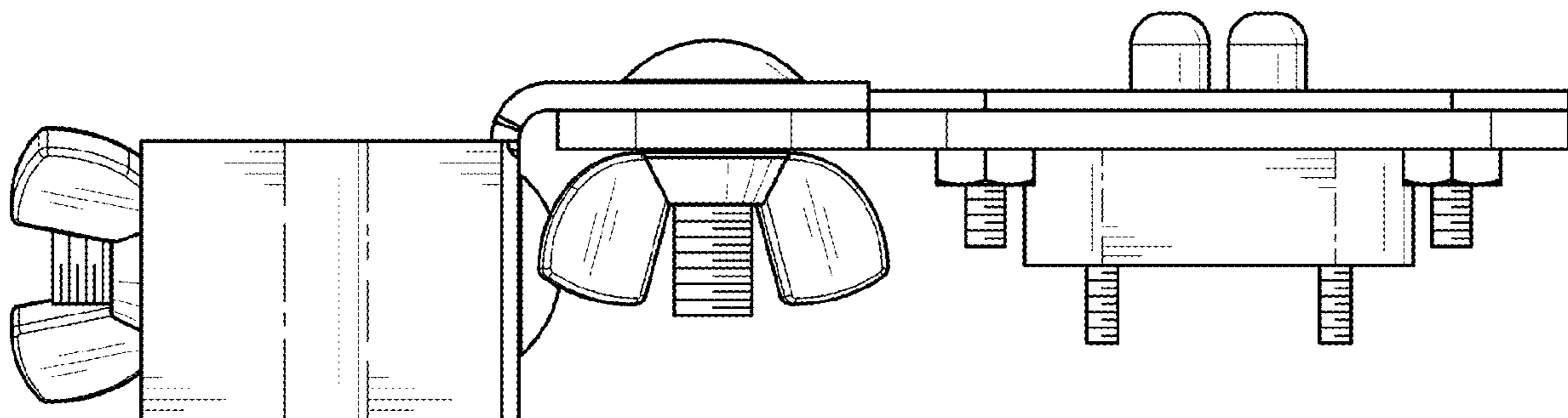


FIG. 7

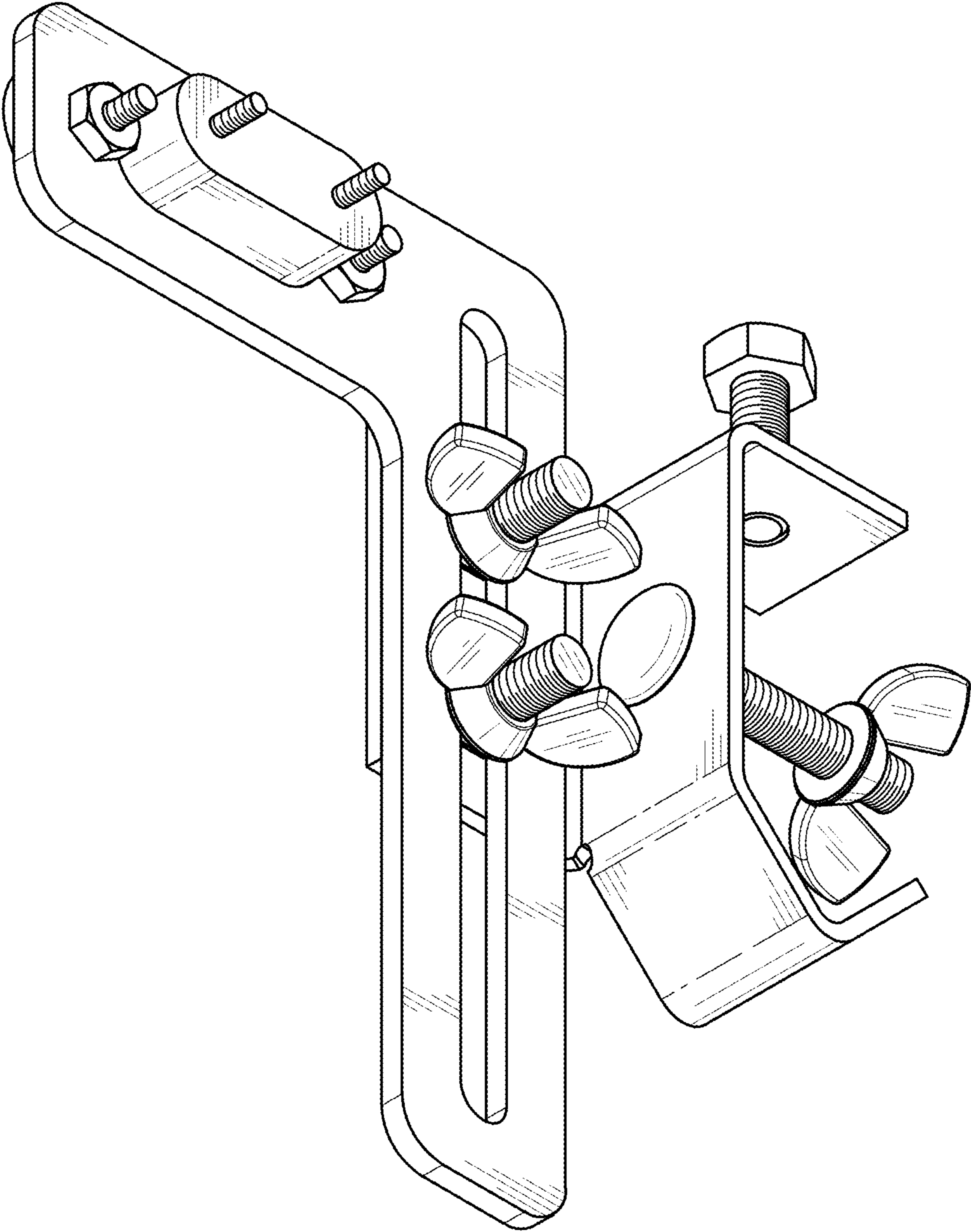


FIG. 8

UNITED STATES PATENT AND TRADEMARK OFFICE
CERTIFICATE OF CORRECTION

PATENT NO. : D878,184 S
APPLICATION NO. : 29/659093
DATED : March 17, 2020
INVENTOR(S) : Graham Holloway

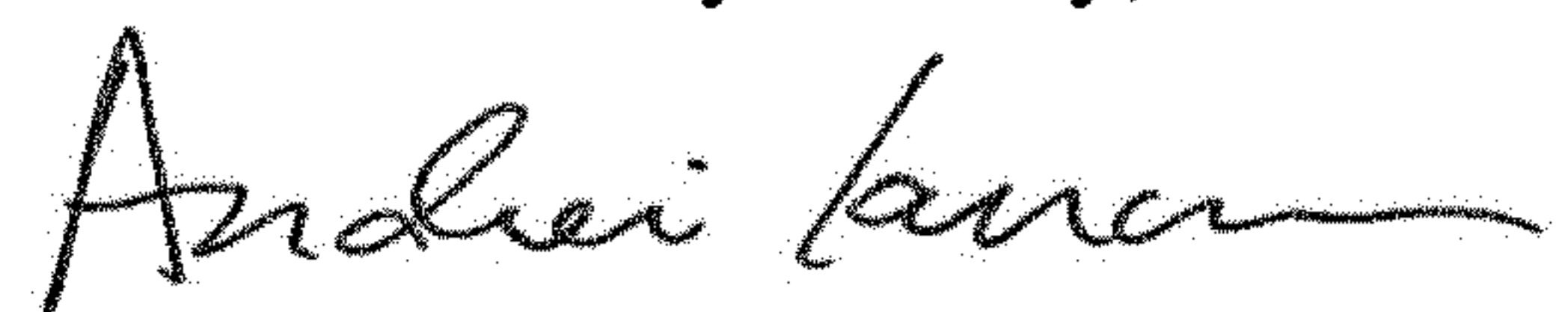
Page 1 of 1

It is certified that error appears in the above-identified patent and that said Letters Patent is hereby corrected as shown below:

On the Title Page

Item [54], delete "CONTRACTOR", insert --CONTACTOR--.

Signed and Sealed this
Twelfth Day of May, 2020



Andrei Iancu
Director of the United States Patent and Trademark Office