

US00D878182S

(12) **United States Design Patent**  
**Farrugia**

(10) **Patent No.:** **US D878,182 S**  
(45) **Date of Patent:** **\*\* Mar. 17, 2020**

(54) **HINGE**  
(71) Applicant: **Nikolaus Alexander Farrugia**, Windsor Downs (AU)  
(72) Inventor: **Nikolaus Alexander Farrugia**, Windsor Downs (AU)  
(\*\*) Term: **15 Years**  
(21) Appl. No.: **29/675,478**  
(22) Filed: **Jan. 2, 2019**

(30) **Foreign Application Priority Data**

Jul. 5, 2018 (AU) ..... 201813958  
Jul. 5, 2018 (AU) ..... 201813959

(51) **LOC (12) Cl.** ..... **08-06**  
(52) **U.S. Cl.**  
USPC ..... **D8/323**  
(58) **Field of Classification Search**  
USPC ..... D8/323, 328  
CPC .. E05D 1/00; E05D 11/06; E05D 5/11; E05D 3/02; E05D 5/0246; E05D 5/08; A47K 13/12  
See application file for complete search history.

(56) **References Cited**

**U.S. PATENT DOCUMENTS**

3,153,807 A \* 10/1964 Nyman ..... E05D 11/06 16/390  
3,231,929 A \* 2/1966 Hiltunen ..... E05D 5/08 16/265  
3,549,246 A \* 12/1970 Ruesch ..... G02C 5/2245 351/113  
D265,048 S \* 6/1982 Guardia ..... D8/328  
D281,052 S \* 10/1985 Farmer ..... D8/394  
D281,952 S \* 12/1985 Farmer ..... D8/394  
5,079,798 A \* 1/1992 Burke ..... E05D 5/0246 16/252  
D372,415 S \* 8/1996 Guidotti ..... D8/327

D372,852 S \* 8/1996 Noll ..... D8/328  
D413,505 S \* 9/1999 Perkins ..... D8/323  
D418,736 S \* 1/2000 Perkins ..... D8/328  
D488,435 S \* 4/2004 Hirano ..... G06F 1/1669 D13/103  
D533,433 S \* 12/2006 Loggen ..... D8/329  
D541,622 S \* 5/2007 Bell ..... G06F 1/1681 D8/323  
7,665,187 B1 \* 2/2010 Elowsky ..... E05D 3/02 16/252  
D661,174 S \* 6/2012 Ogawa ..... D8/323  
D679,570 S \* 4/2013 Farnsworth ..... D8/323  
D699,093 S \* 2/2014 Farnsworth ..... D8/323  
8,887,356 B2 \* 11/2014 Bailey ..... E05D 5/06 16/382  
8,935,830 B2 \* 1/2015 Bailey ..... E04D 13/08 16/382  
8,938,858 B2 \* 1/2015 Bailey ..... E04D 13/08 16/382

(Continued)

*Primary Examiner* — Cynthia R Underwood  
(74) *Attorney, Agent, or Firm* — Innovation Capital Law Group, LLP; Vic Lin

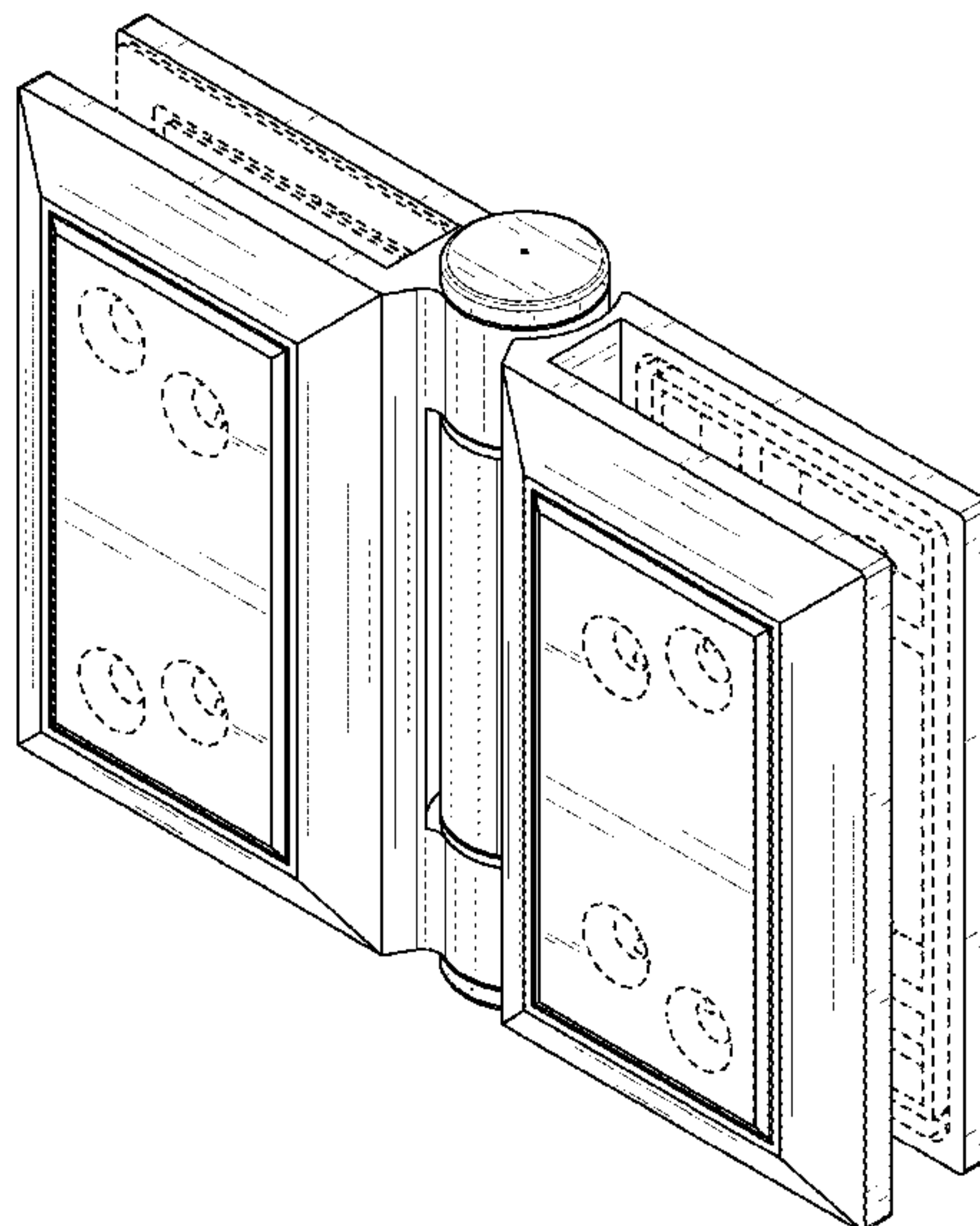
(57) **CLAIM**

The ornamental design for a hinge, as shown and described.

**DESCRIPTION**

FIG. 1 is a front perspective view of a hinge;  
FIG. 2 is a front elevation view thereof;  
FIG. 3 is a rear elevation view thereof;  
FIG. 4 is a left elevation view thereof;  
FIG. 5 is a right elevation view thereof;  
FIG. 6 is a top plan view thereof; and,  
FIG. 7 is a bottom plan view thereof.  
The broken lines in the figures are for the purpose of illustrating unclaimed portions of the article and form no part of the claimed design.

**1 Claim, 4 Drawing Sheets**



(56)

**References Cited**

U.S. PATENT DOCUMENTS

D734,124 S \* 7/2015 Corpuz, Jr. .... D8/323  
9,121,207 B2 \* 9/2015 Stuart ..... E05D 5/0246  
9,140,043 B2 \* 9/2015 Chang ..... E05D 5/0246  
9,198,549 B1 \* 12/2015 Ajello ..... E05F 1/063  
D748,451 S \* 2/2016 Tung ..... D8/328  
D756,211 S \* 5/2016 Downs ..... D8/395  
D821,176 S \* 6/2018 Stuart ..... D8/323  
D839,712 S \* 2/2019 Woolley ..... D8/323  
D839,713 S \* 2/2019 Woolley ..... D8/323  
D839,714 S \* 2/2019 Chai ..... D8/323  
D858,252 S \* 9/2019 Waterhouse ..... D8/323  
2016/0205792 A1 \* 7/2016 Ahn ..... H05K 5/0017  
40/779  
2016/0215548 A1 \* 7/2016 Loggen ..... E05D 5/0246  
2019/0048634 A1 \* 2/2019 Sevastopoulos ..... E05D 7/086  
2019/0211602 A1 \* 7/2019 Stuart ..... E05D 5/0246

\* cited by examiner

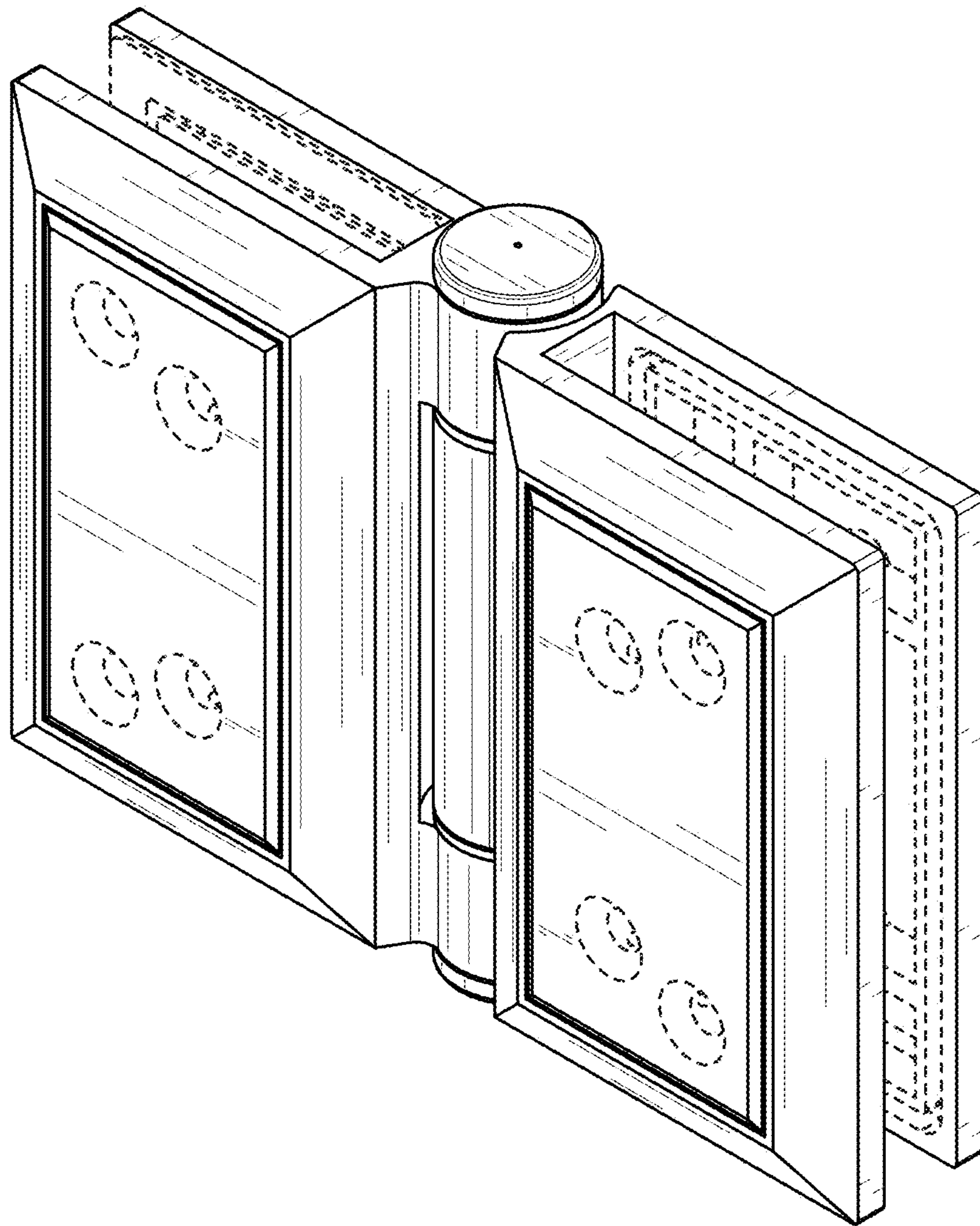


FIG. 1



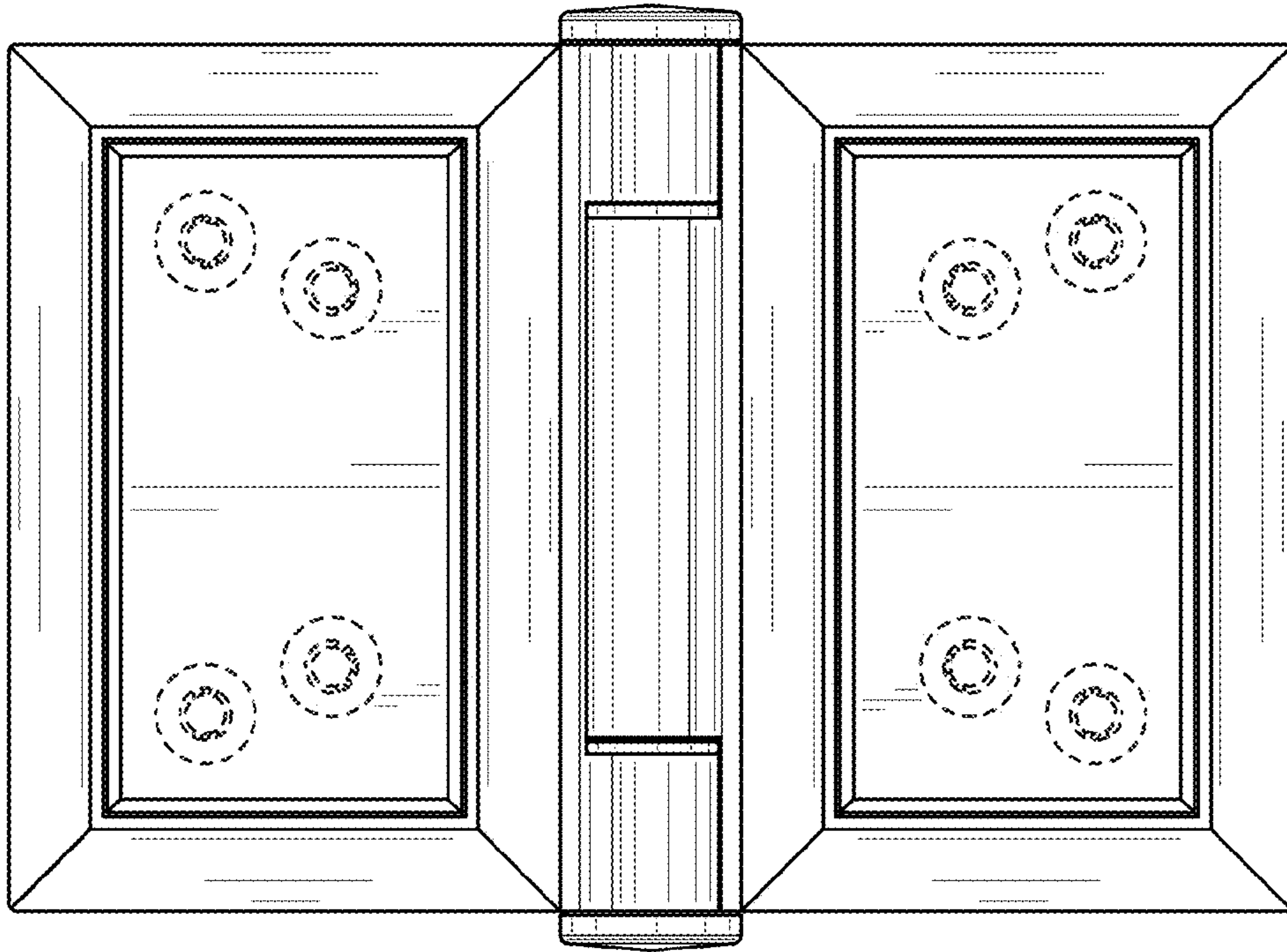


FIG. 2

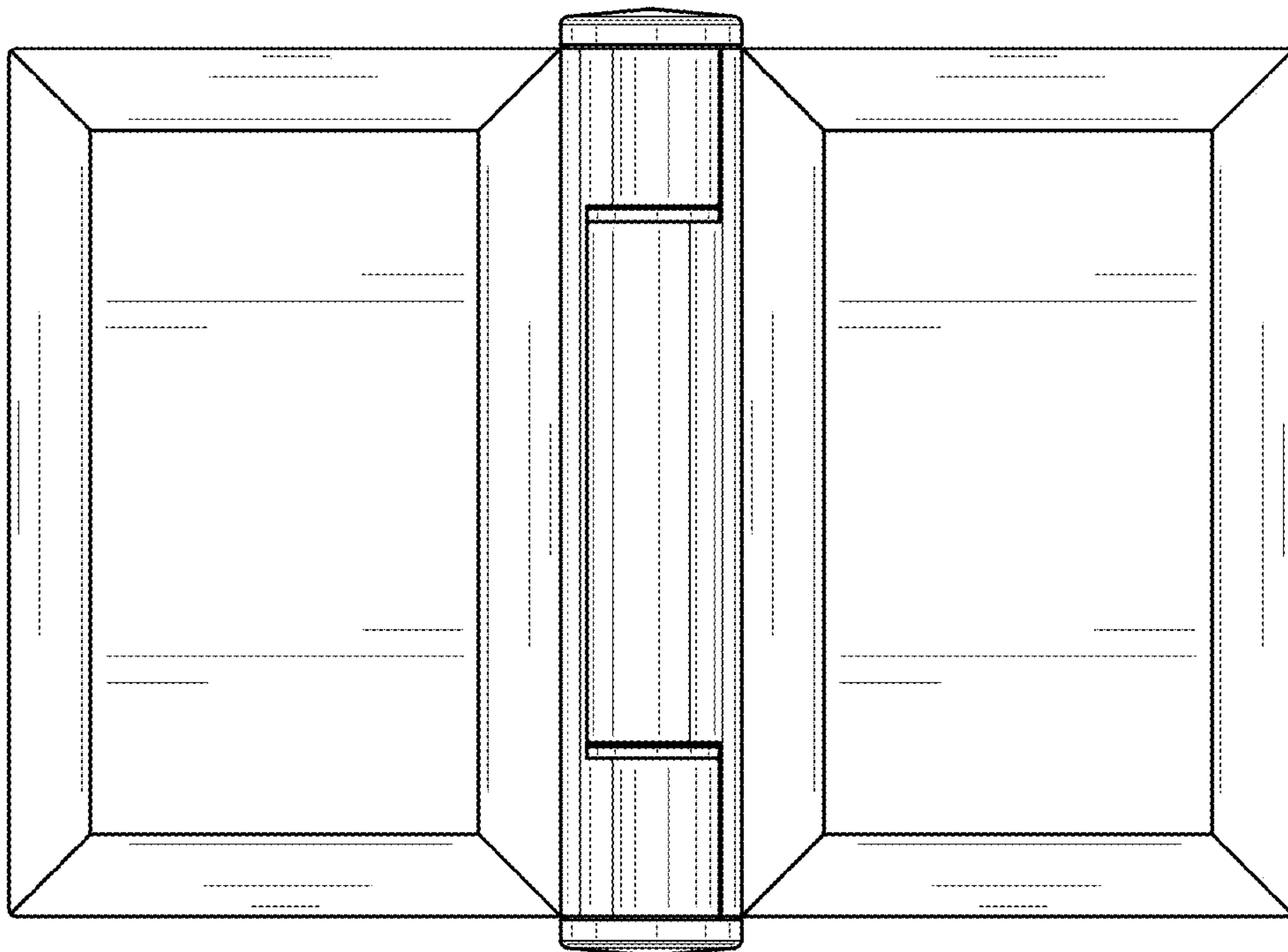


FIG. 3

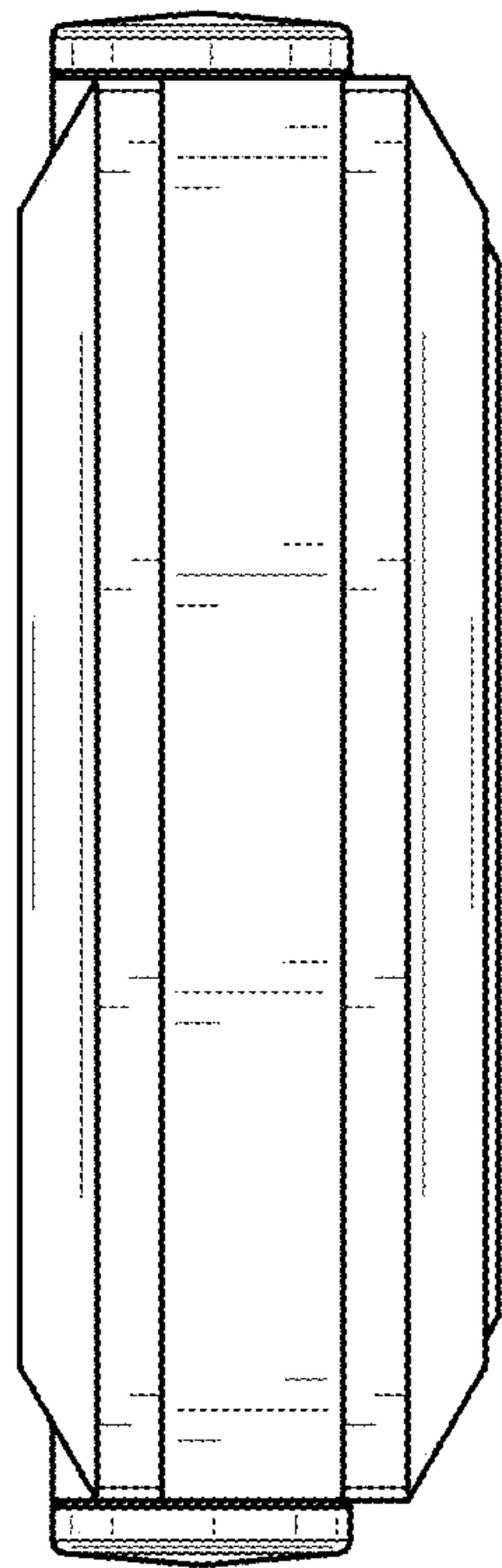


FIG. 4

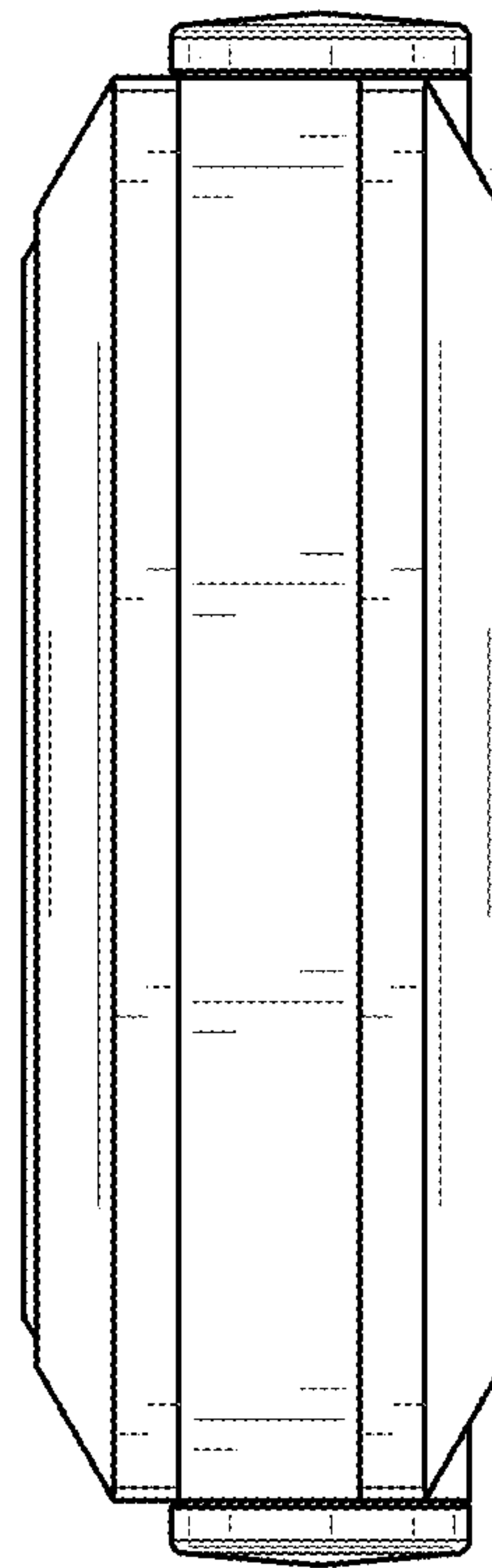


FIG. 5

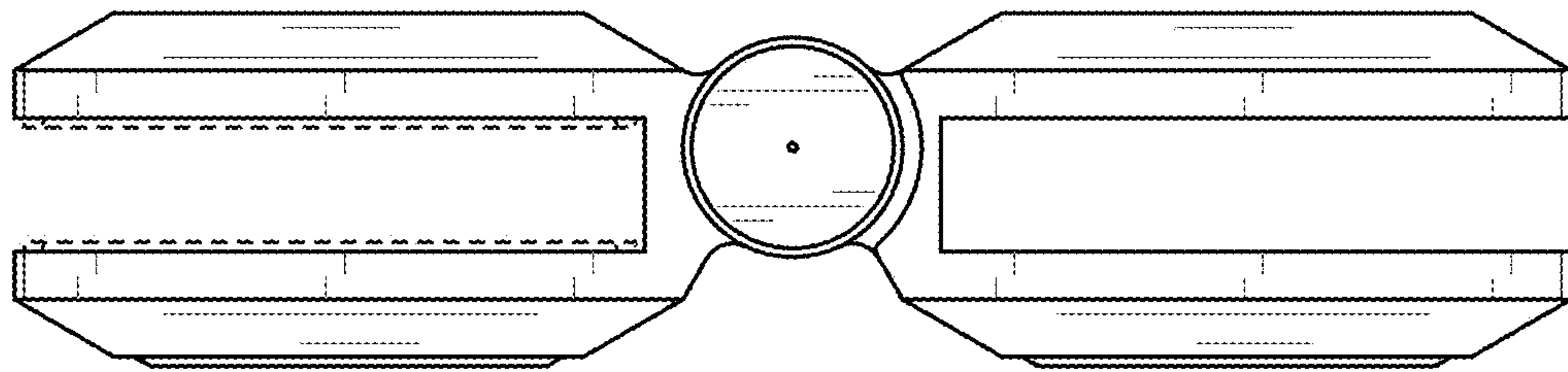


FIG. 6

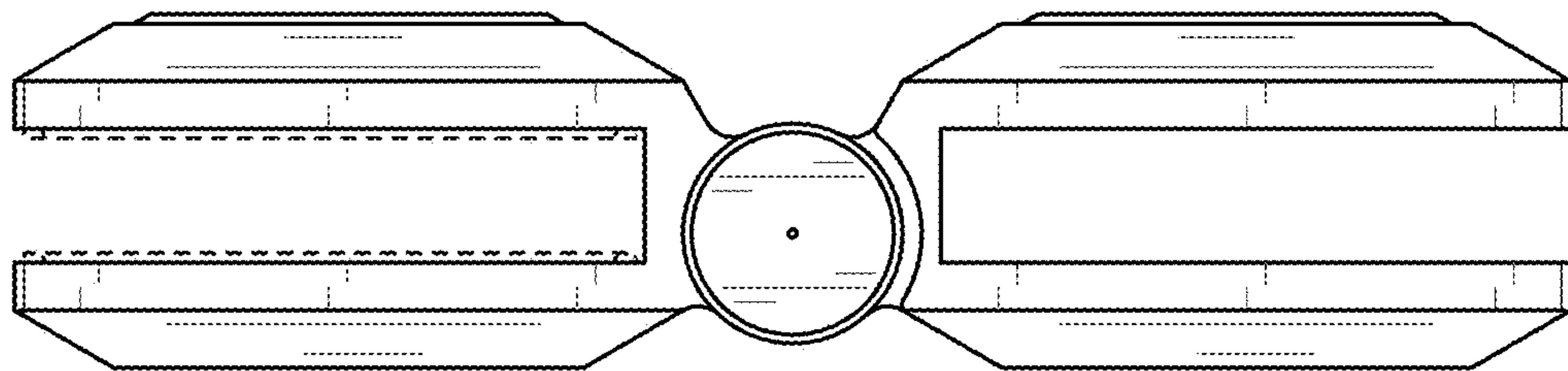


FIG. 7