



US00D878181S

(12) **United States Design Patent**
Farrugia

(10) **Patent No.:** **US D878,181 S**
(45) **Date of Patent:** **** Mar. 17, 2020**

(54) **HINGE**
(71) Applicant: **Nikolaus Alexander Farrugia**, Windsor Downs (AU)
(72) Inventor: **Nikolaus Alexander Farrugia**, Windsor Downs (AU)
(**) Term: **15 Years**
(21) Appl. No.: **29/675,471**
(22) Filed: **Jan. 2, 2019**

(30) **Foreign Application Priority Data**

Jul. 5, 2018 (AU) 201813958
Jul. 5, 2018 (AU) 201813959

(51) **LOC (12) Cl.** **08-06**
(52) **U.S. Cl.**
USPC **D8/323**
(58) **Field of Classification Search**
USPC D8/323, 328
CPC .. E05D 1/00; E05D 11/06; E05D 5/11; E05D 3/02; E05D 5/0246; E05D 5/08; A47K 13/12
See application file for complete search history.

(56) **References Cited**

U.S. PATENT DOCUMENTS

3,153,807 A * 10/1964 Nyman E05D 11/06 16/390
3,231,929 A * 2/1966 Hiltunen E05D 5/08 16/265
3,549,246 A * 12/1970 Ruesch G02C 5/2245 351/113
D265,048 S * 6/1982 Guardia D8/328
D281,052 S * 10/1985 Farmer D8/394
D281,952 S * 12/1985 Farmer D8/394
5,079,798 A * 1/1992 Burke E05D 5/0246 16/252
D372,415 S * 8/1996 Guidotti D8/327

D372,852 S * 8/1996 Noll D8/328
D413,505 S * 9/1999 Perkins D8/323
D418,736 S * 1/2000 Perkins D8/328
D488,435 S * 4/2004 Hirano G06F 1/1669 D13/103
D533,433 S * 12/2006 Loggen D8/329
D541,622 S * 5/2007 Bell G06F 1/1681 D8/323
7,665,187 B1 * 2/2010 Elowsky E05D 3/02 16/252
D661,174 S * 6/2012 Ogawa D8/323
D679,570 S * 4/2013 Farnsworth D8/323
D699,093 S * 2/2014 Farnsworth D8/323
8,887,356 B2 * 11/2014 Bailey E05D 5/06 16/382
8,935,830 B2 * 1/2015 Bailey E04D 13/08 16/382
8,938,858 B2 * 1/2015 Bailey E04D 13/08 16/382

(Continued)

Primary Examiner — Cynthia R Underwood
(74) *Attorney, Agent, or Firm* — Innovation Capital Law Group, LLP; Vic Lin

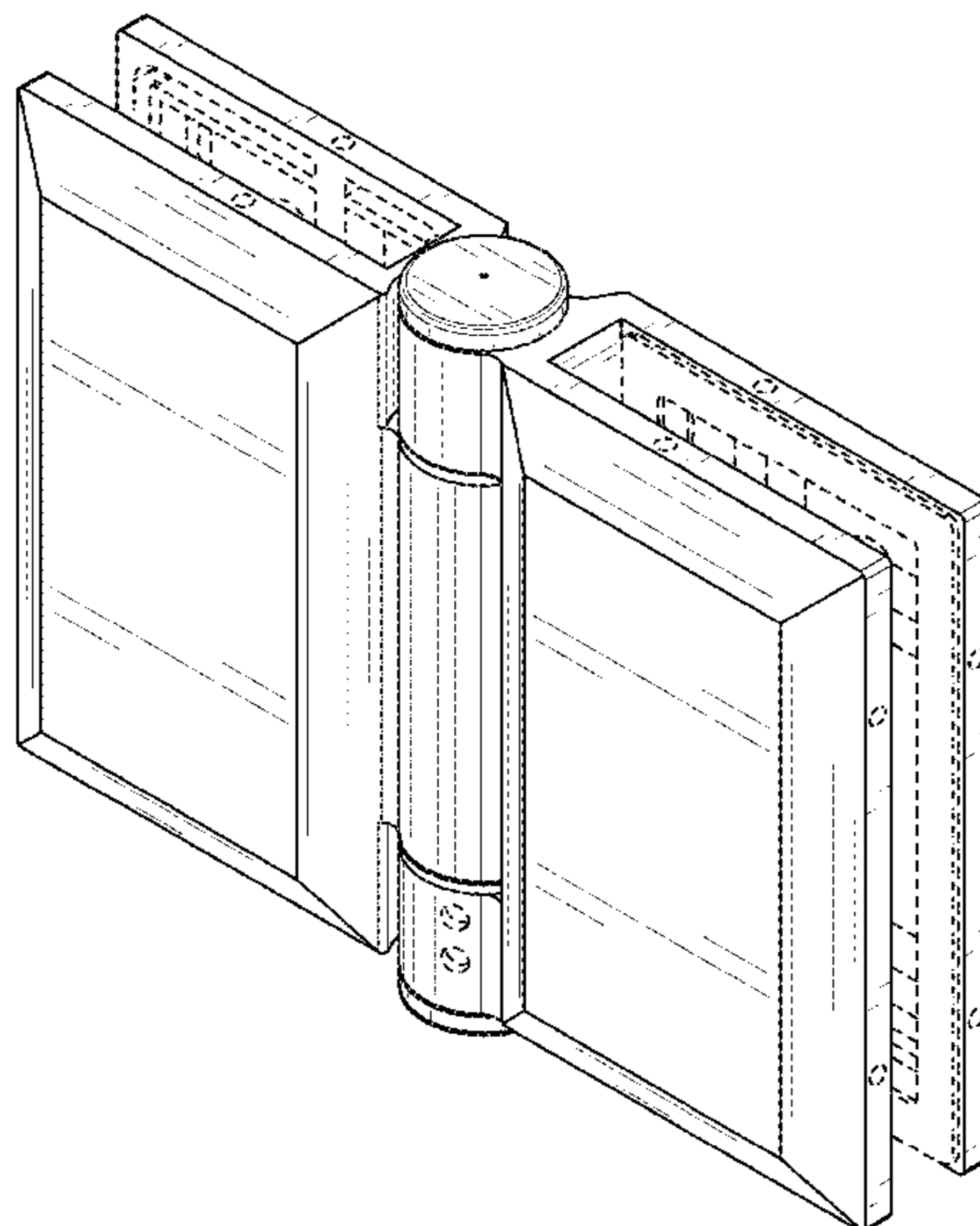
(57) **CLAIM**

The ornamental design for a hinge, as shown and described.

DESCRIPTION

FIG. 1 is a front perspective view of a hinge;
FIG. 2 is a front elevation view thereof;
FIG. 3 is a rear elevation view thereof;
FIG. 4 is a left elevation view thereof;
FIG. 5 is a right elevation view thereof;
FIG. 6 is a top plan view thereof; and,
FIG. 7 is a bottom plan view thereof.
The broken lines in the figures are for the purpose of illustrating unclaimed portions of the article and form no part of the claimed design.

1 Claim, 4 Drawing Sheets



(56)

References Cited

U.S. PATENT DOCUMENTS

D734,124 S * 7/2015 Corpuz, Jr. D8/323
9,121,207 B2 * 9/2015 Stuart E05D 5/0246
9,140,043 B2 * 9/2015 Chang E05D 5/0246
9,198,549 B1 * 12/2015 Ajello E05F 1/063
D748,451 S * 2/2016 Tung D8/328
D756,211 S * 5/2016 Downs D8/395
D821,176 S * 6/2018 Stuart D8/323
D839,712 S * 2/2019 Woolley D8/323
D839,713 S * 2/2019 Woolley D8/323
D839,714 S * 2/2019 Chai D8/323
D858,252 S * 9/2019 Waterhouse D8/323
2016/0205792 A1 * 7/2016 Ahn H05K 5/0017
40/779
2016/0215548 A1 * 7/2016 Loggen E05D 5/0246
2019/0048634 A1 * 2/2019 Sevastopoulos E05D 7/086
2019/0211602 A1 * 7/2019 Stuart E05D 5/0246

* cited by examiner

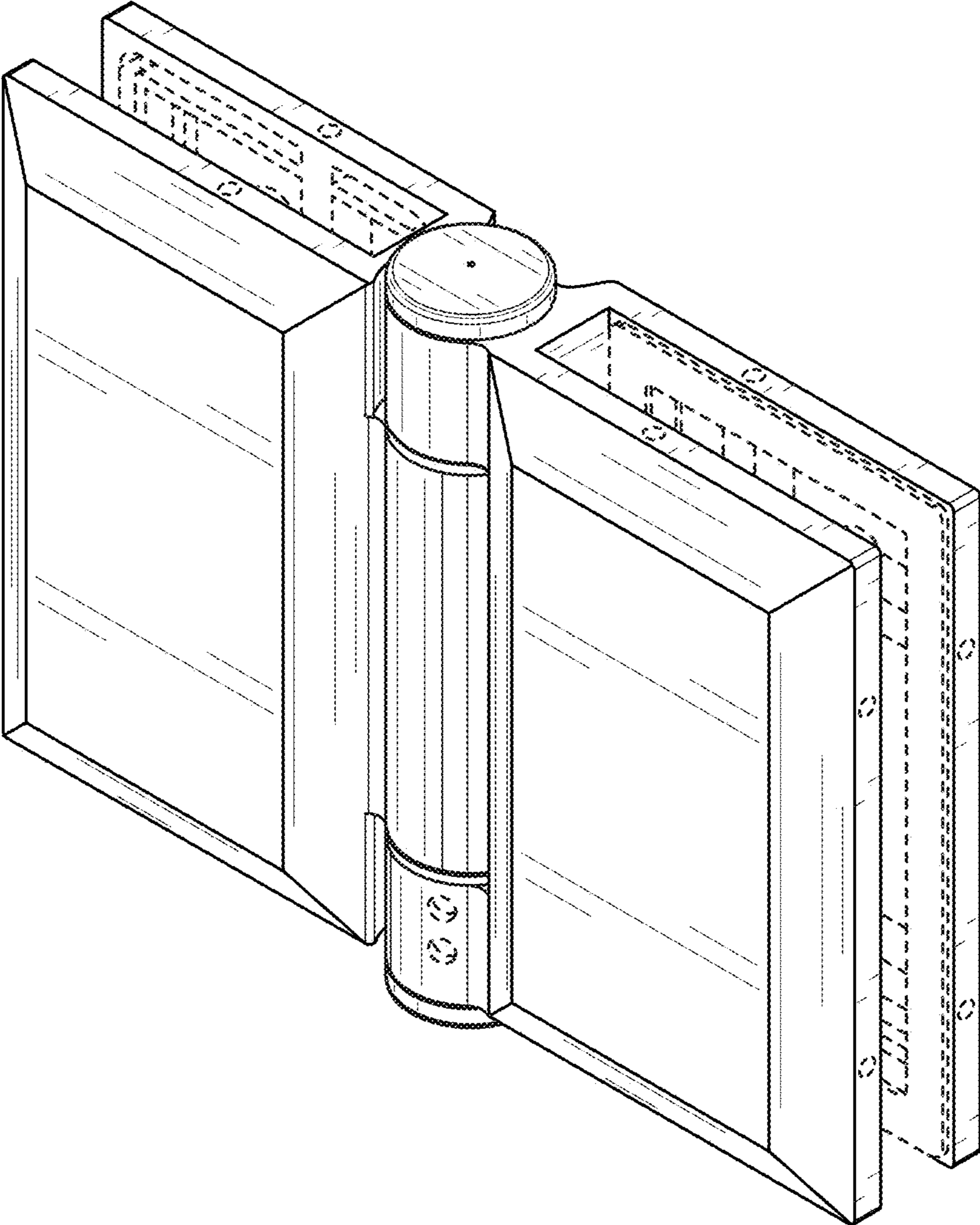


FIG. 1

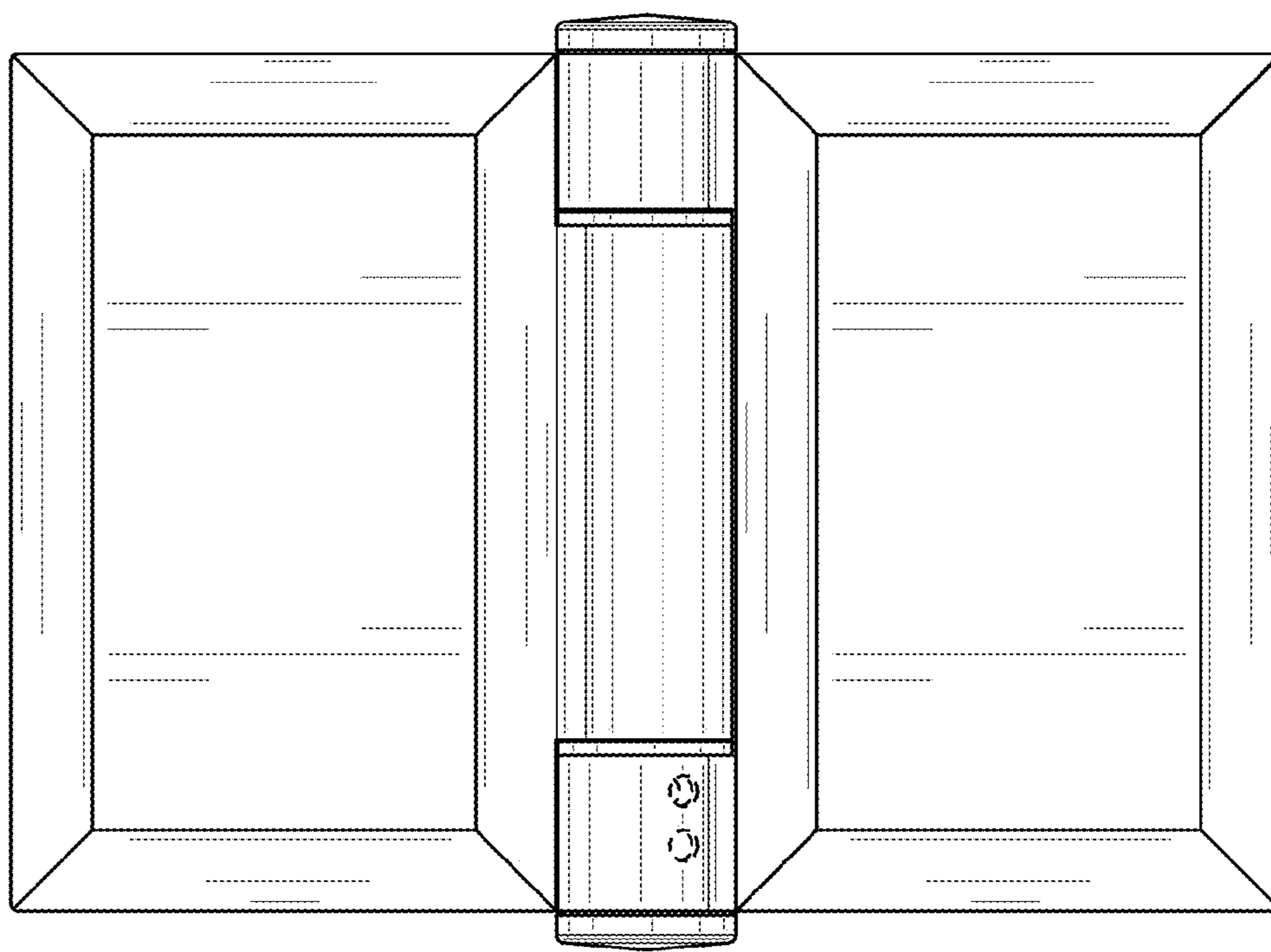


FIG. 2

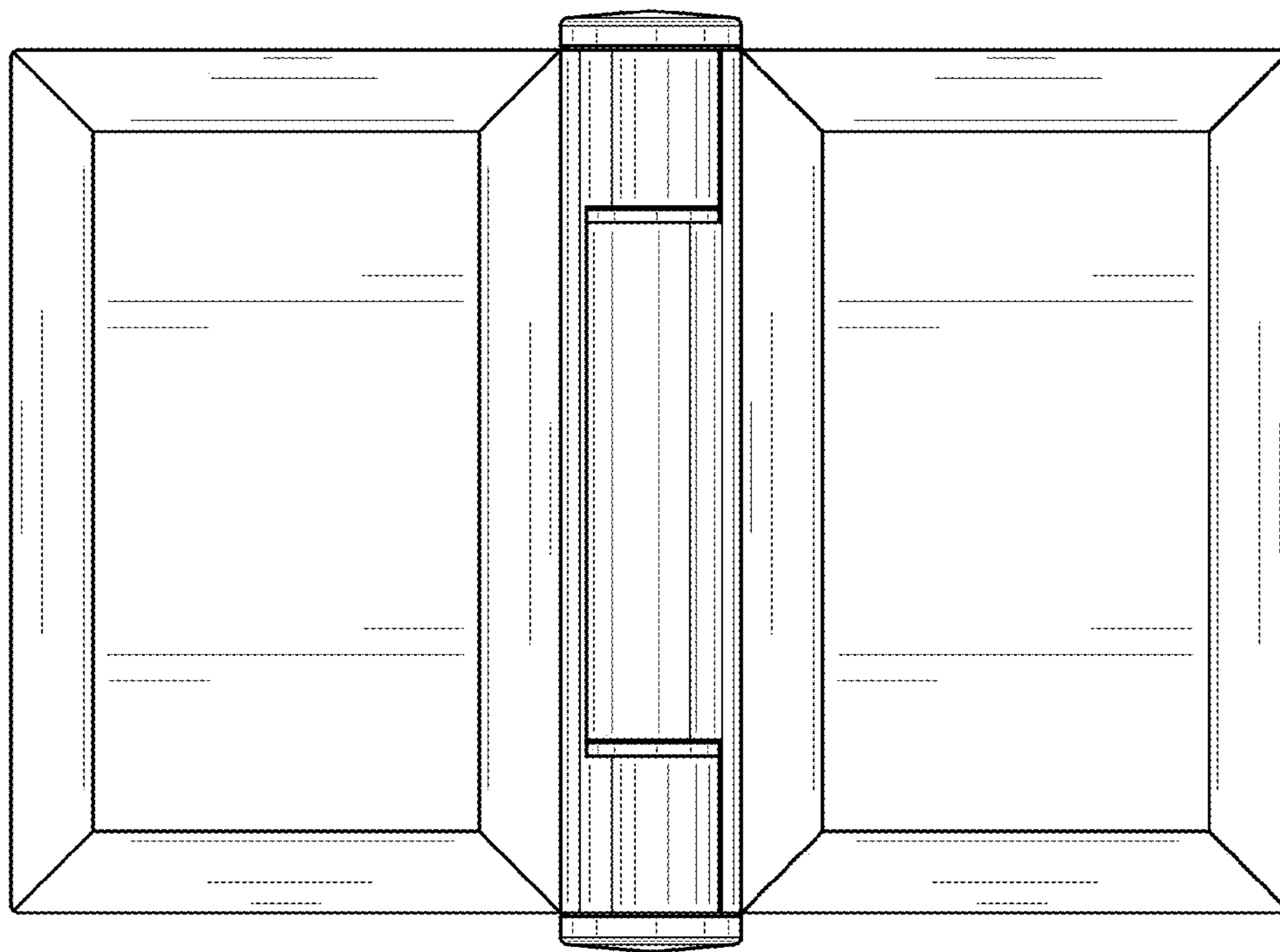


FIG. 3

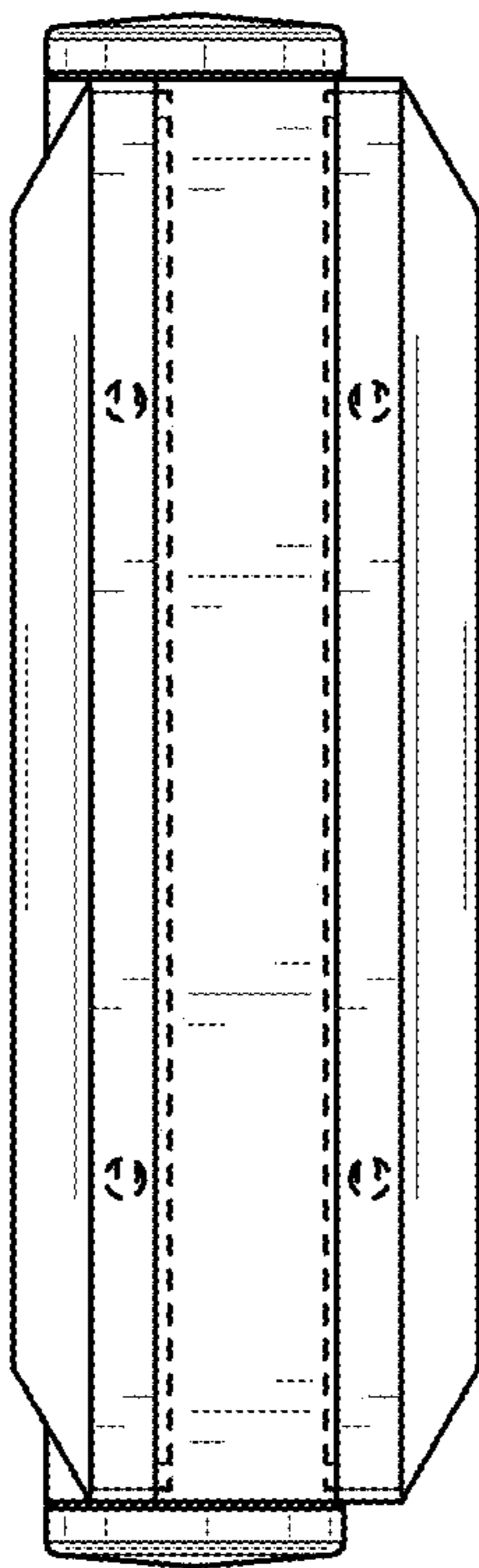


FIG. 4

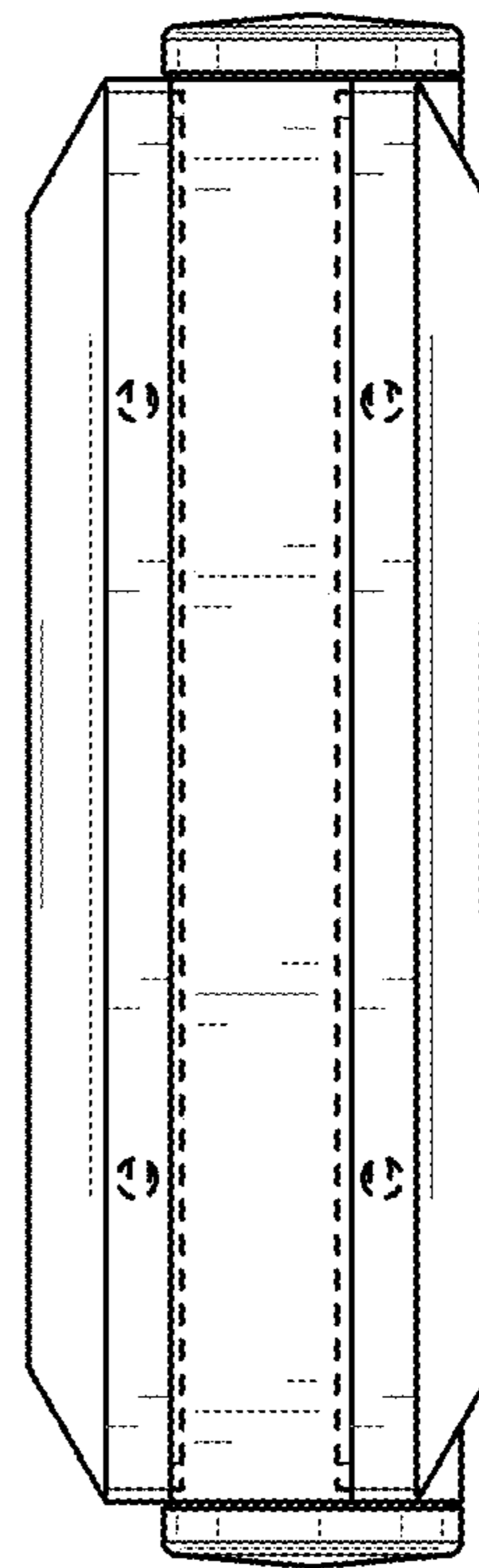


FIG. 5

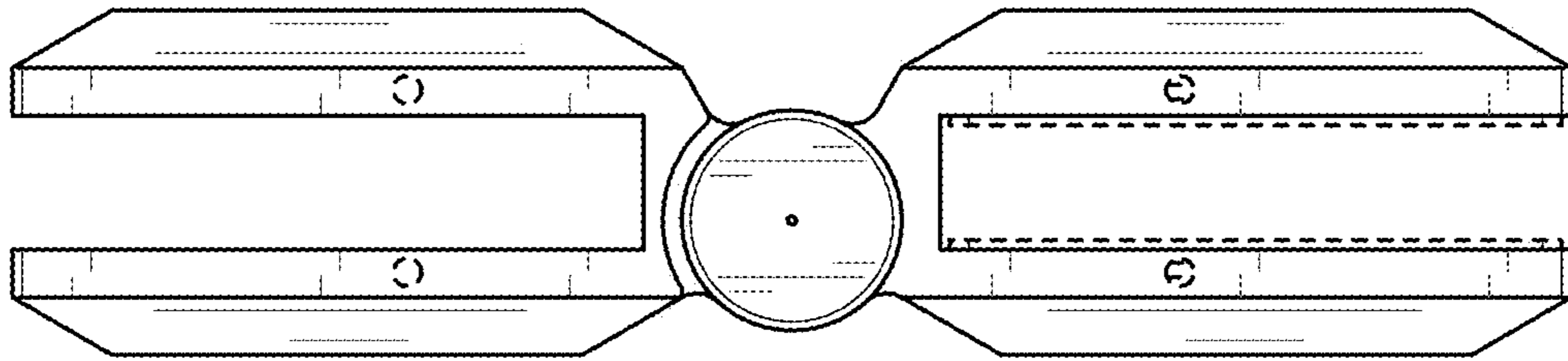


FIG. 6

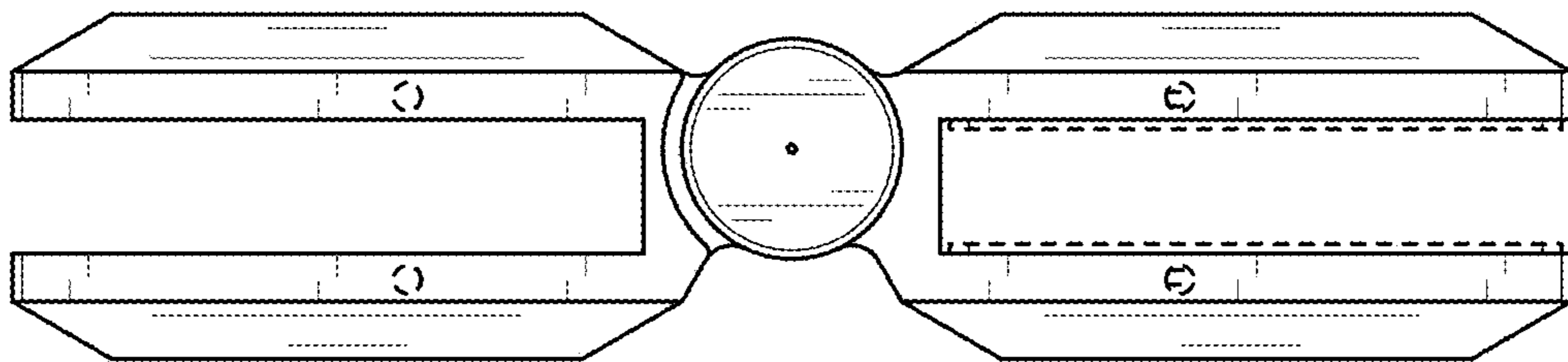


FIG. 7