



US00D878179S

(12) **United States Design Patent**  
**Zhang et al.**

(10) **Patent No.:** **US D878,179 S**  
(45) **Date of Patent:** **\*\* Mar. 17, 2020**

(54) **BENCH VISE**

(71) Applicant: **LAIZHOU HONGYUAN BENCH VICE MANUFACTURE CO. LTD.**,  
Laizhou, Shandong (CN)

(72) Inventors: **Zhiquan Zhang**, Shandong (CN); **Tao Wang**, Shandong (CN); **Shujun Zhao**, Shandong (CN); **Xiaoguang Lin**, Shandong (CN); **Maodou Li**, Shandong (CN); **Lintao Wu**, Shandong (CN)

(73) Assignee: **Laizhou Hongyuan Bench Vice Manufacture Co., Ltd.**, Laizhou, Shandong (CN)

(\*\*) Term: **15 Years**

(21) Appl. No.: **29/584,054**

(22) Filed: **Nov. 10, 2016**

(51) **LOC (12) Cl.** ..... **08-05**

(52) **U.S. Cl.**  
USPC ..... **D8/74**

(58) **Field of Classification Search**  
USPC ..... D8/71-74, 394-399, 354, 355, 356, 59; 248/62, 63, 72, 74.1, 689, 124.2; 81/487, 81/385, 386, 388-390; 269/3, 4, 6, 143, 269/165, 240, 243, 246-249, 254 R, 269/147-149; 29/256, 257, 276; D15/140; D24/143; 408/103, 104-109; D7/683, 685, 686; D6/684  
CPC ..... B25B 1/00; B25B 5/00; B25B 1/2478; B25B 1/103; B25B 1/22; B25B 1/2405; B25B 1/2457

See application file for complete search history.

(56) **References Cited**

**U.S. PATENT DOCUMENTS**

D117,448 S \* 11/1939 Connors ..... D8/74  
2,195,277 A \* 3/1940 Kleinman ..... B25B 1/2463  
100/289

D131,498 S \* 3/1942 Vogl ..... D8/74  
D147,564 S \* 9/1947 Nelson ..... D8/74  
D154,001 S \* 5/1949 Vogl ..... 269/9  
D164,143 S \* 7/1951 Vogl ..... D8/74  
D213,727 S \* 4/1969 Barvinek ..... D8/74  
D254,835 S \* 4/1980 Bass ..... D8/74  
4,605,208 A \* 8/1986 Durham ..... B25B 1/18  
269/247  
4,807,863 A \* 2/1989 Yang ..... B25B 1/103  
269/153  
4,971,301 A \* 11/1990 Yang ..... B25B 1/2436  
269/153  
D346,942 S \* 5/1994 Sawdon ..... D8/72  
D355,104 S \* 2/1995 Sorensen ..... D8/72  
5,531,428 A \* 7/1996 Dembicks ..... B25B 1/103  
269/172  
6,135,435 A \* 10/2000 Schmitz ..... B25B 1/103  
269/164  
D484,018 S \* 12/2003 Boyer ..... D8/74  
D543,820 S \* 6/2007 Brass ..... D8/72

(Continued)

*Primary Examiner* — Nathan M Johnston

(74) *Attorney, Agent, or Firm* — Liang Legal Group, PLLC

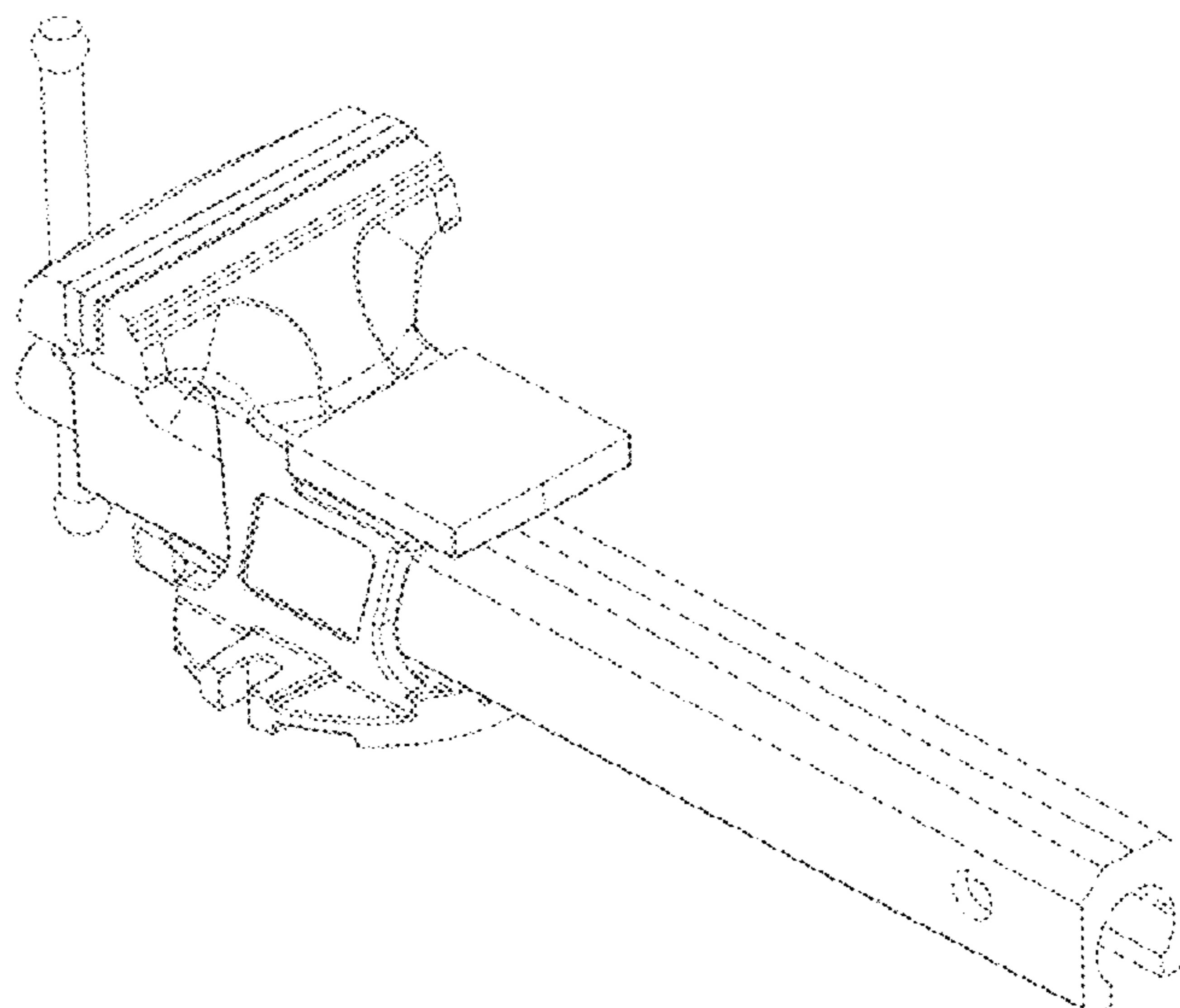
(57) **CLAIM**

The bench vise, as shown and described.

**DESCRIPTION**

FIG. 1 is a front elevation view of a bench vise showing our new design;  
FIG. 2 is a rear elevation view thereof;  
FIG. 3 is a left side elevation view thereof;  
FIG. 4 is a right side elevation view thereof;  
FIG. 5 is a bottom plan view thereof;  
FIG. 6 is a top plan view thereof;  
FIG. 7 is a perspective view thereof; and,  
FIG. 8 is another perspective view thereof.  
The broken lines show portions of the design that form no part of the claimed design.

**1 Claim, 8 Drawing Sheets**



(56)

**References Cited**

U.S. PATENT DOCUMENTS

D556,530 S \* 12/2007 Workman ..... D8/72  
7,673,861 B2 \* 3/2010 Meholovitch ..... B25B 1/125  
269/179  
D699,539 S \* 2/2014 Nieto ..... D8/74  
D705,031 S \* 5/2014 Zhang ..... D8/74  
D707,096 S \* 6/2014 Zhang ..... D8/74  
D780,549 S \* 3/2017 Zhang ..... D8/74  
D808,238 S \* 1/2018 Zhang ..... D8/74  
2007/0007704 A1 \* 1/2007 Hooper ..... B25B 1/103  
269/246  
2011/0316213 A1 \* 12/2011 Chen ..... B25B 1/103  
269/240

\* cited by examiner

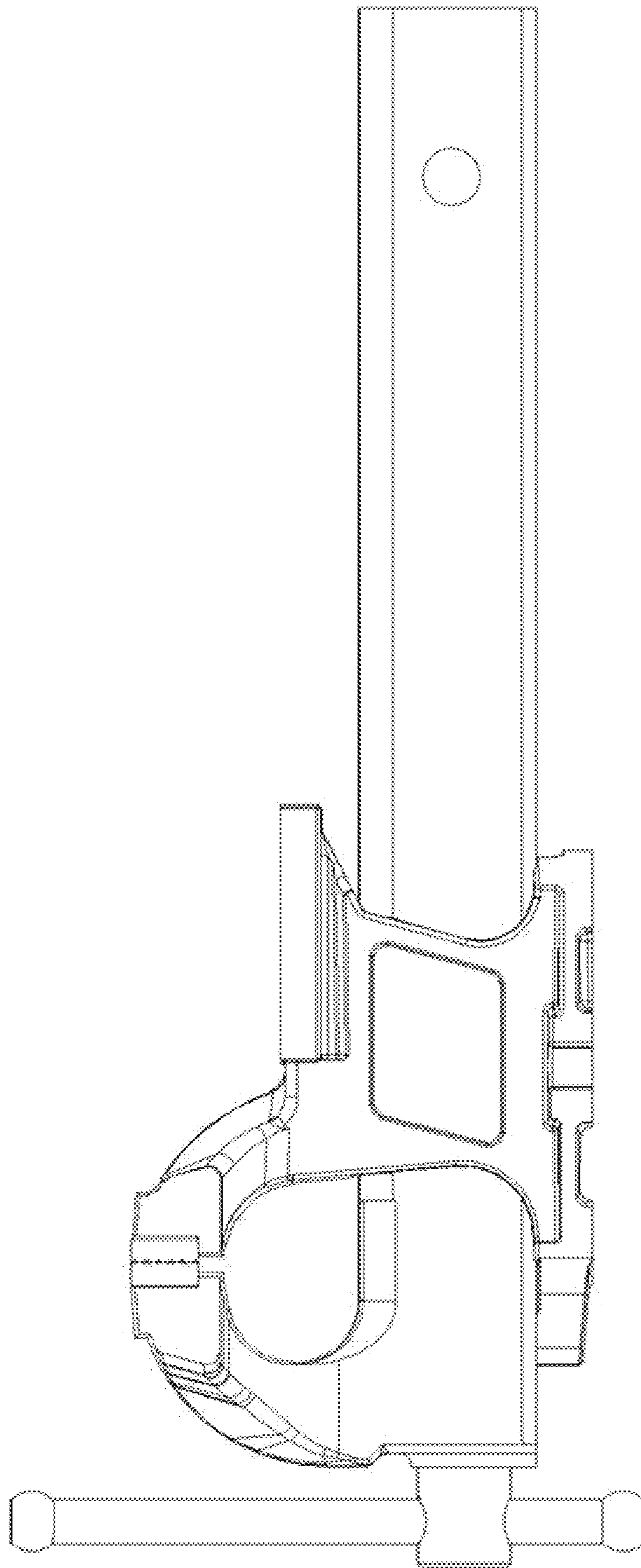


Fig. 1

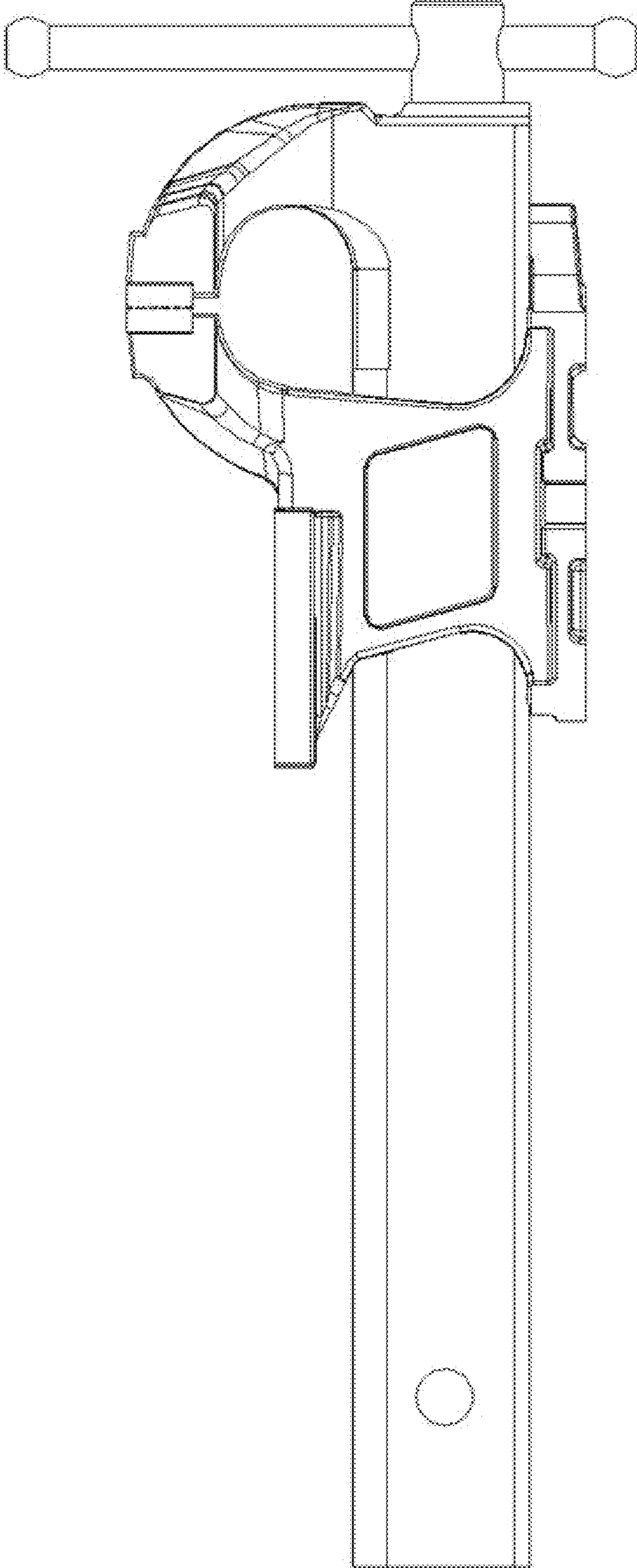
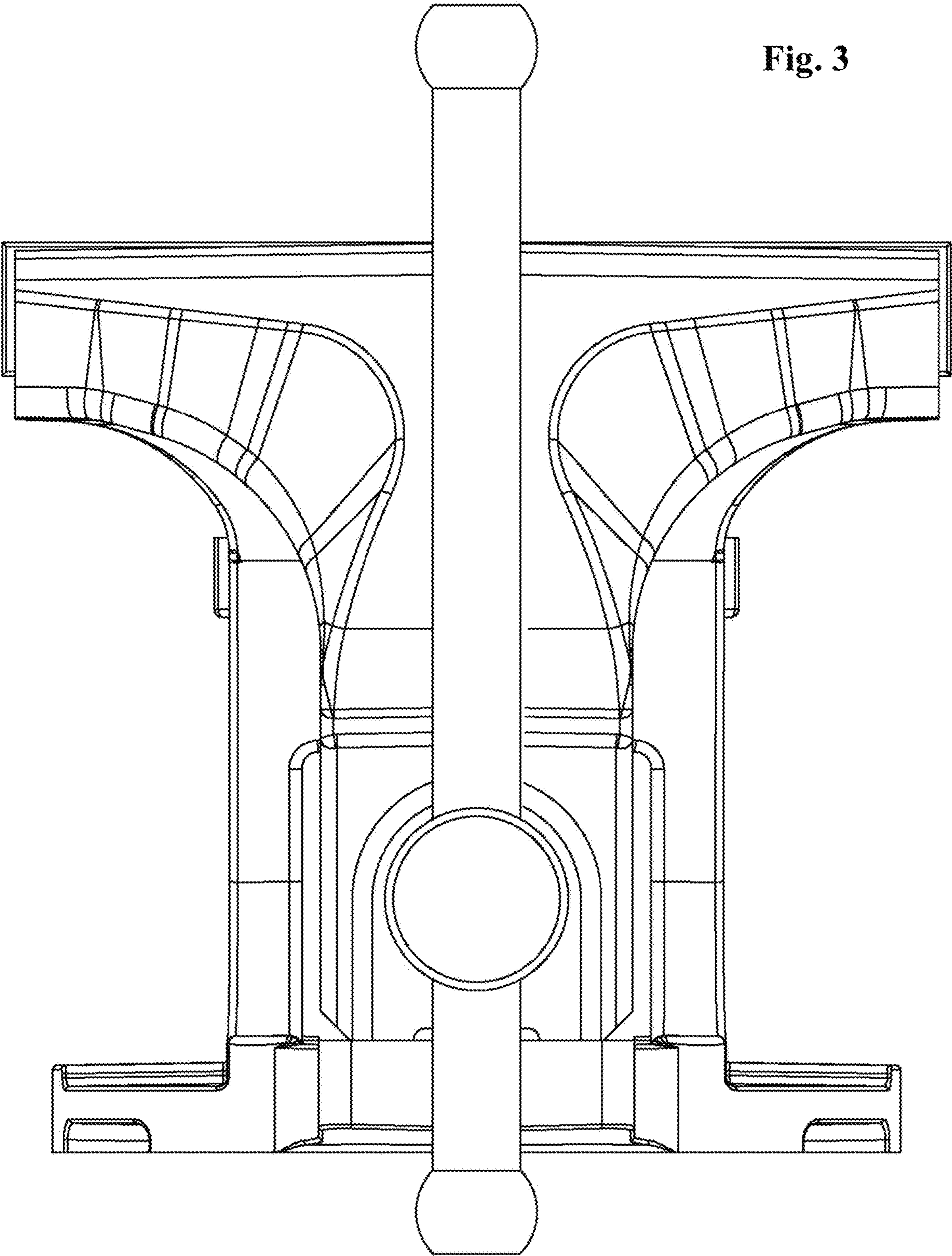


Fig. 2



Fig. 3



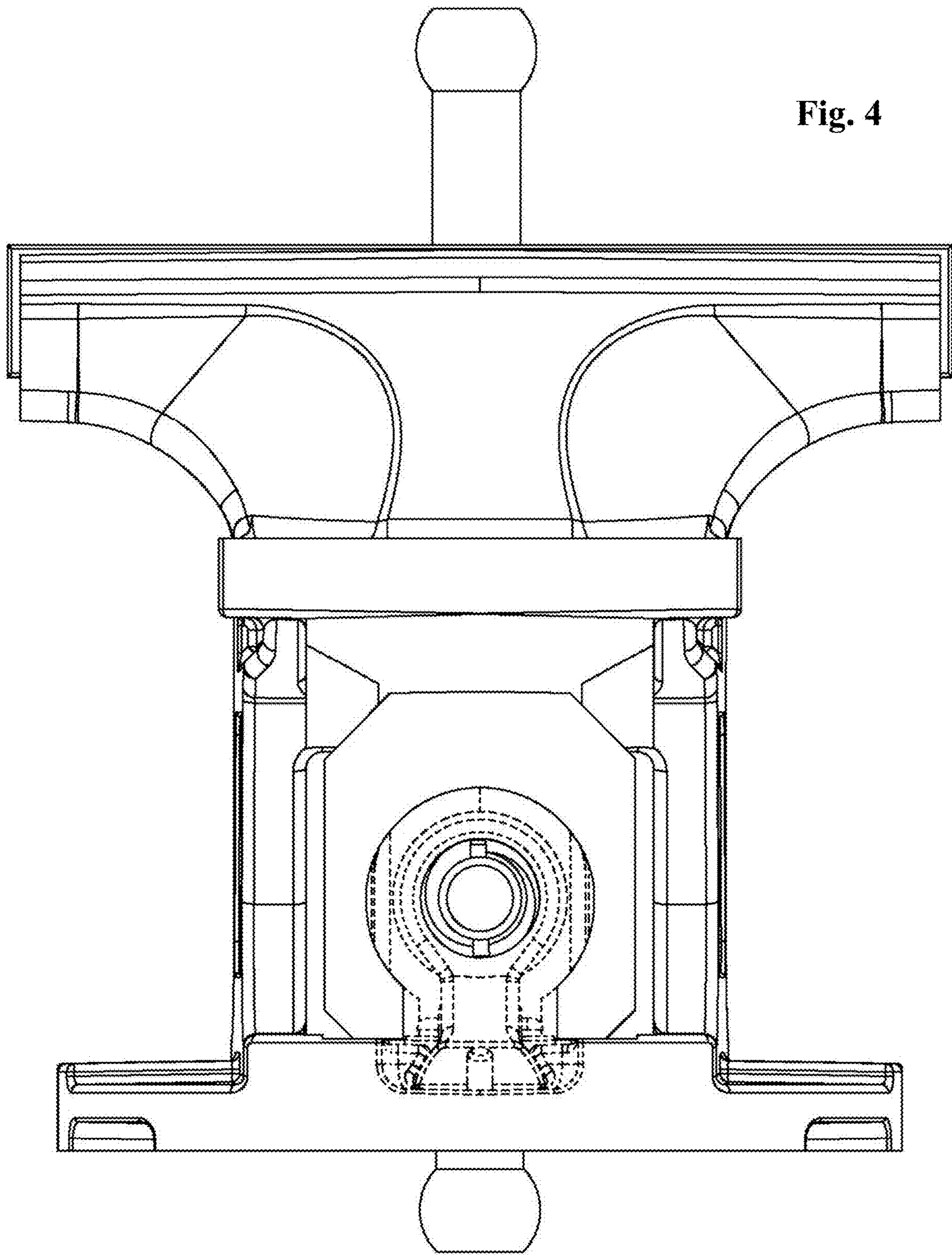


Fig. 4

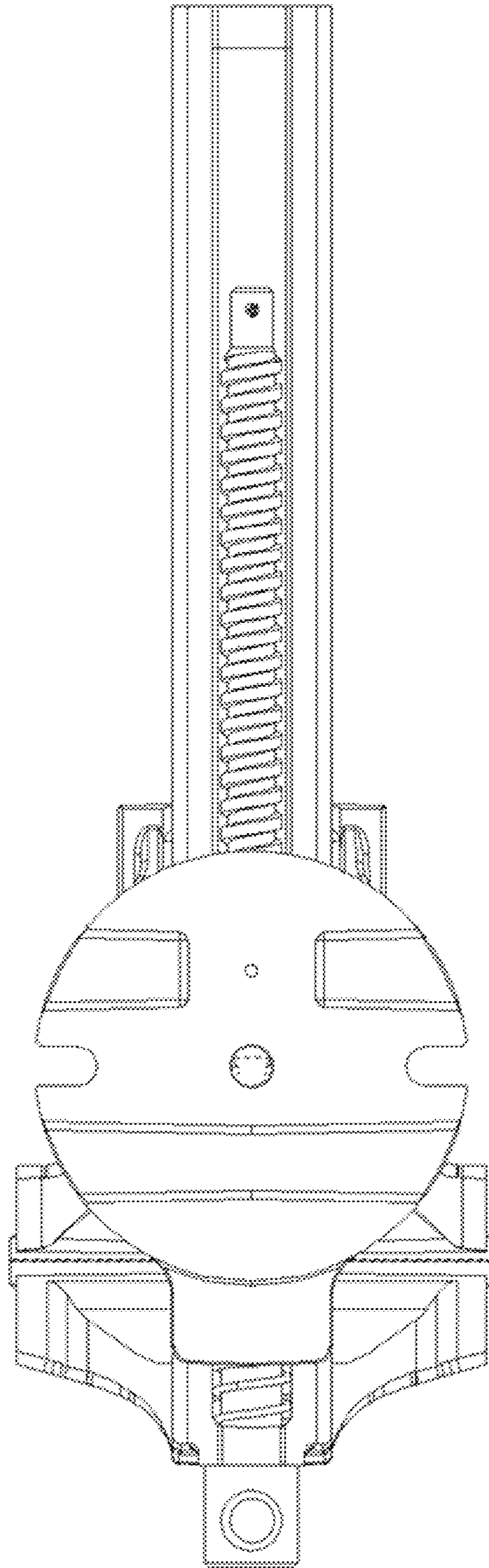


Fig. 5



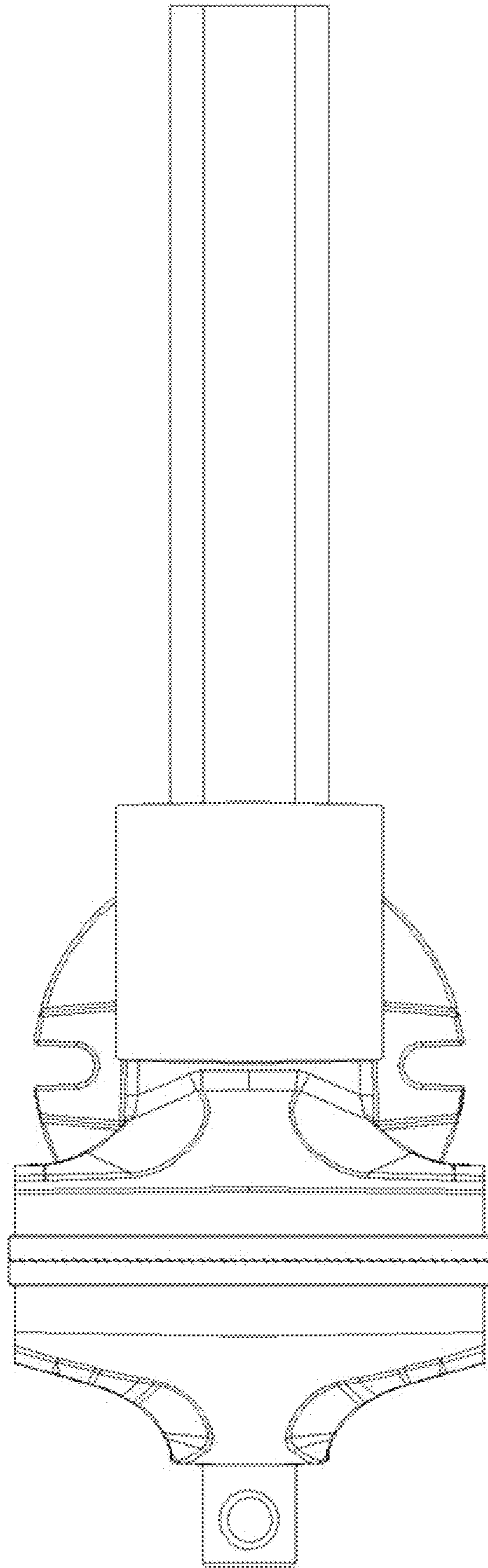


Fig. 6



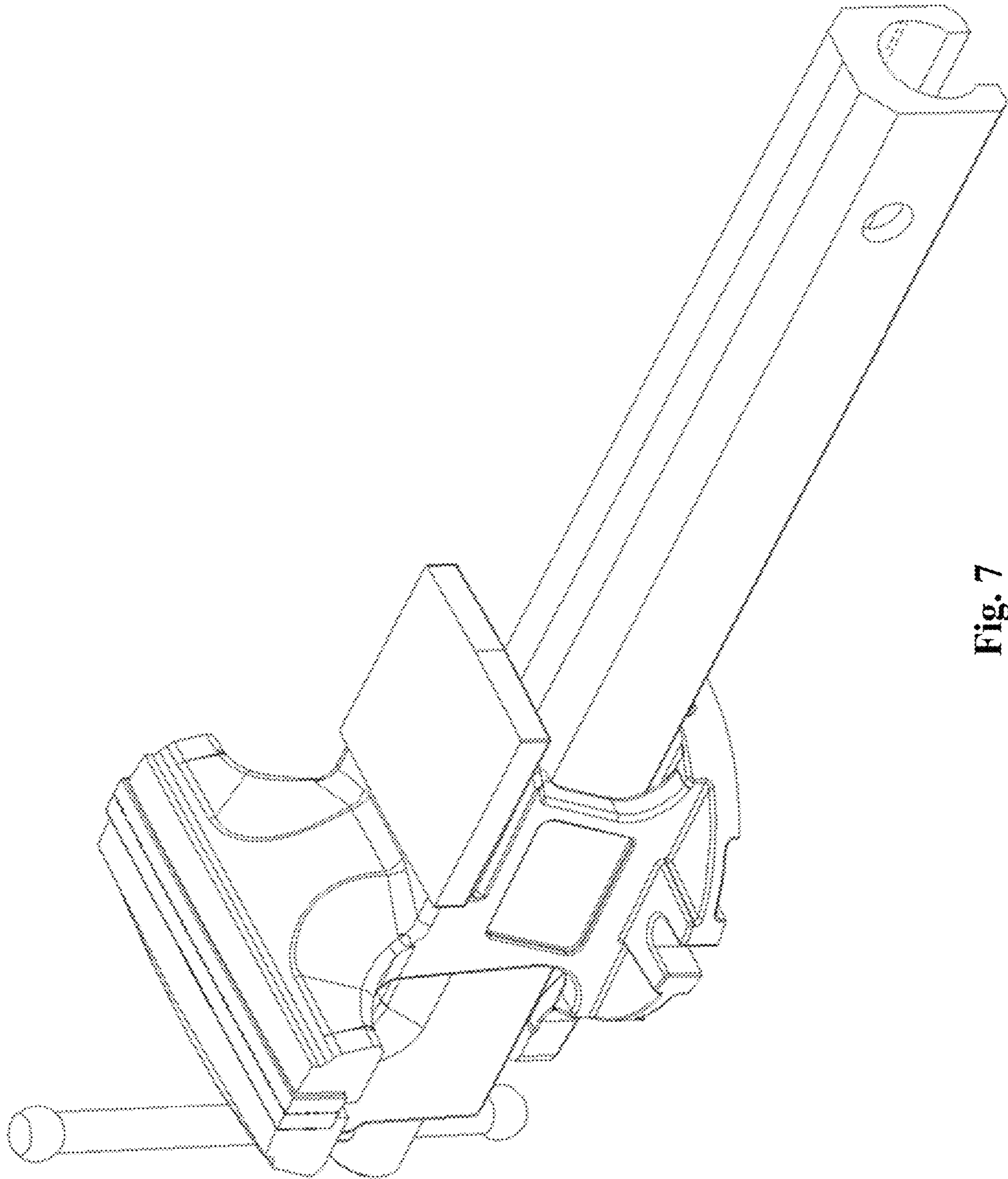


Fig. 7

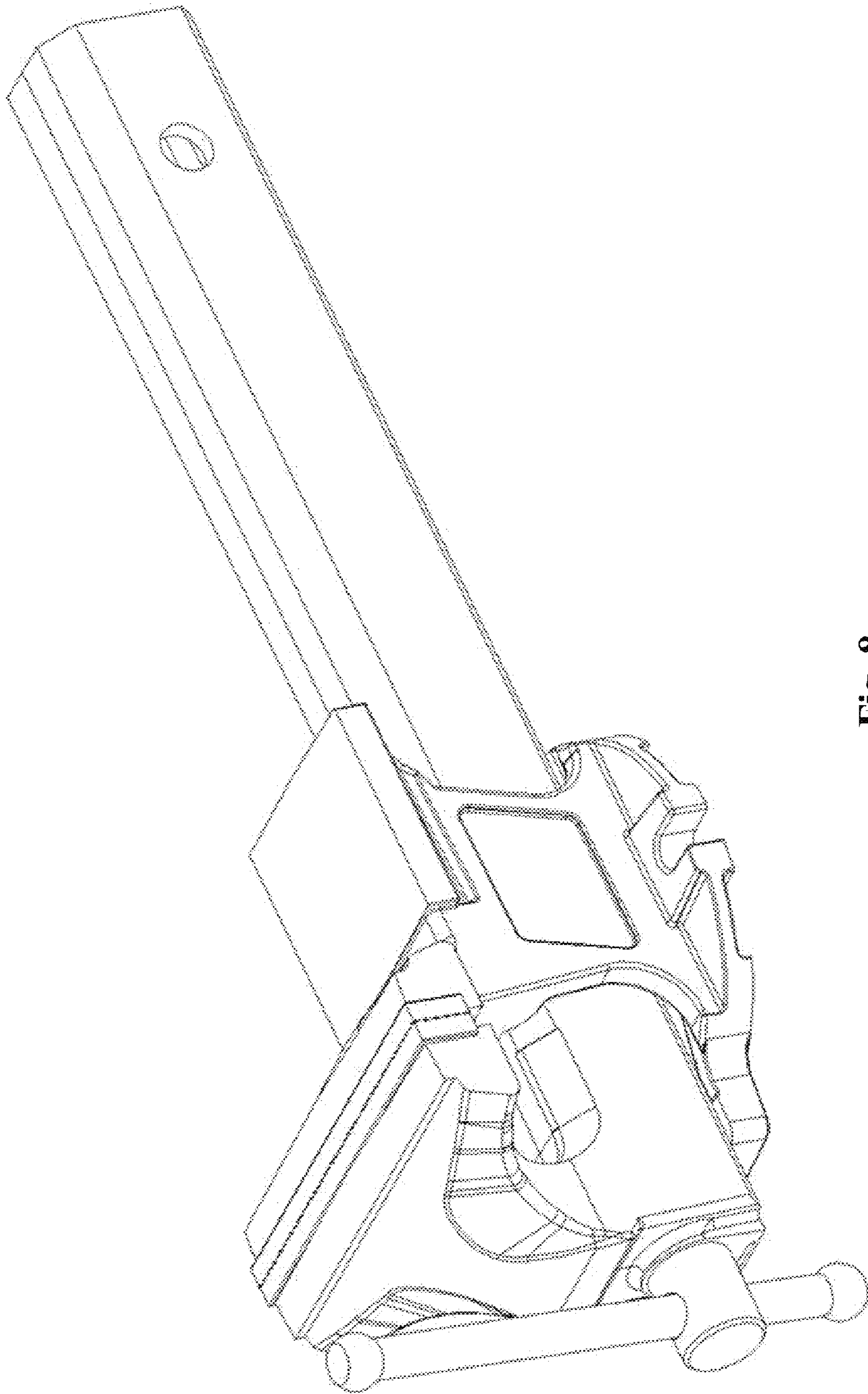


Fig. 8