



US00D878178S

(12) **United States Design Patent**  
**Cheng**

(10) **Patent No.:** **US D878,178 S**  
(45) **Date of Patent:** **\*\* Mar. 17, 2020**

(54) **GLASS SMASHER**  
(71) Applicant: **KANTAS PRODUCTS CO., LTD.,**  
Taipei (TW)  
(72) Inventor: **Yang-Fu Cheng,** Taipei (TW)  
(73) Assignee: **KANTAS PRODUCTS CO., LTD.,**  
Taipei (TW)

8,434,410 B2 \* 5/2013 AlSalem ..... F42B 12/34  
102/376  
D686,921 S \* 7/2013 Odobescu ..... D9/680  
D753,339 S \* 4/2016 Greeley ..... D27/162  
D759,189 S \* 6/2016 Pederson ..... D22/116  
D801,166 S \* 10/2017 Baiz ..... D8/397  
D814,695 S \* 4/2018 Petteys ..... D27/195  
D832,718 S \* 11/2018 Aboabdo ..... D9/680  
D836,457 S \* 12/2018 Johnson ..... D9/680  
D855,141 S \* 7/2019 Couch ..... D22/116

(\*\*) Term: **15 Years**  
(21) Appl. No.: **29/647,147**  
(22) Filed: **May 10, 2018**

\* cited by examiner

*Primary Examiner* — Philip S Hyder  
(74) *Attorney, Agent, or Firm* — Jung Chun Hung

(30) **Foreign Application Priority Data**

Nov. 24, 2017 (TW) ..... 106306902

(51) **LOC (12) Cl.** ..... **08-05**  
(52) **U.S. Cl.**  
USPC ..... **D8/47; D8/14**

(57) **CLAIM**

The ornamental design for a glass smasher, as shown and described above.

(58) **Field of Classification Search**  
USPC ..... D8/14, 47, 98, 75, 105; D22/116  
CPC ..... F42B 10/52; F42B 10/42; F42B 10/10;  
F42B 12/34; F42B 10/44; F42B 12/44;  
F42B 12/02

**DESCRIPTION**

FIG. 1 is a perspective view of a glass smasher showing the new design;  
FIG. 2 is a front elevational view thereof, the opposite rear elevational view being identical thereto;  
FIG. 3 is a left side elevational view thereof, the opposite right side elevational view being identical thereto;  
FIG. 4 is a top plan view thereof;  
FIG. 5 is a bottom plan view thereof;  
FIG. 6 is a perspective view showing a partially opened state of this design thereof; and,  
FIG. 7 is a perspective view thereof in an alternative use position that the removable top part of this design assembled back in opposite direction.

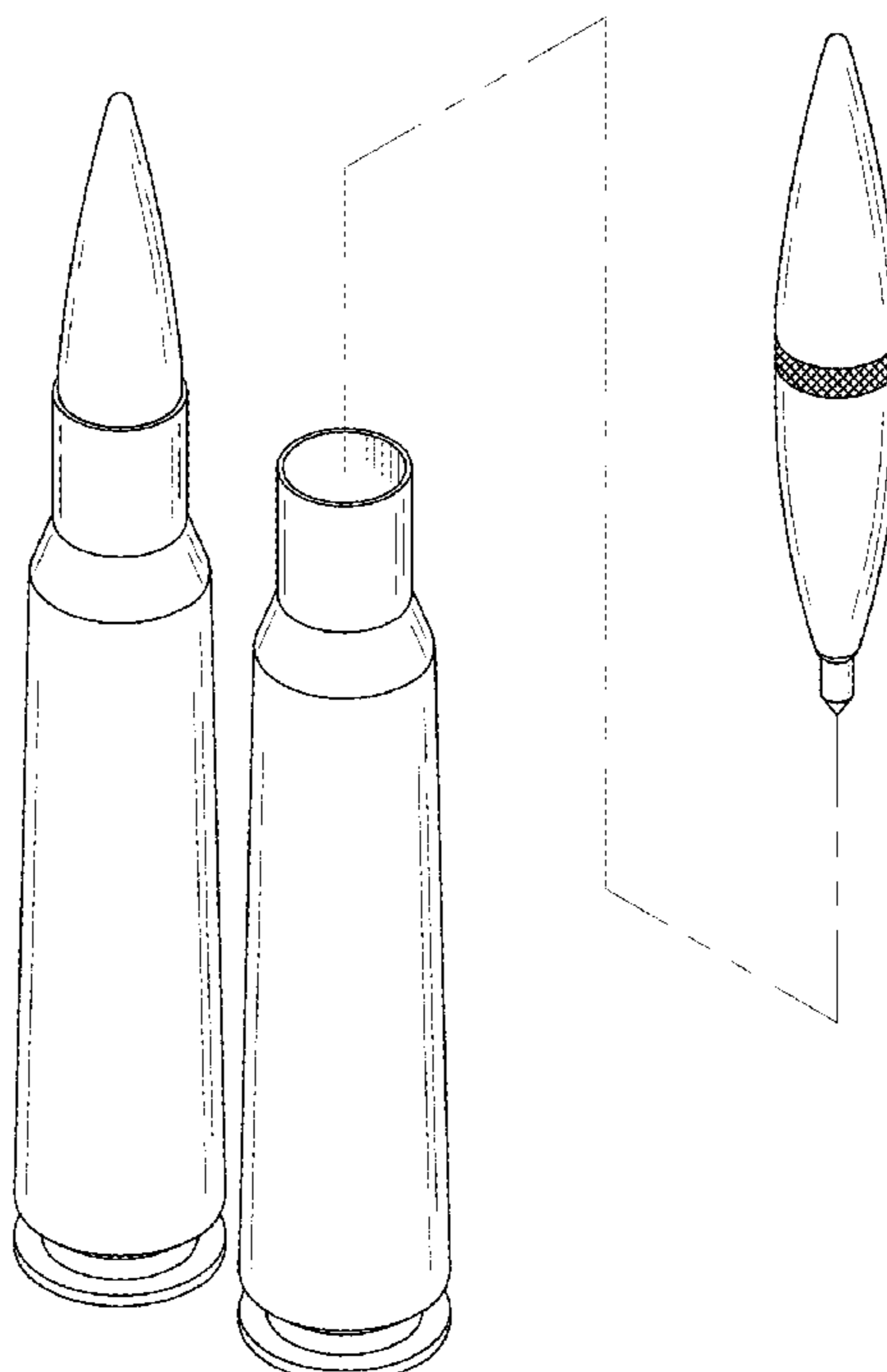
See application file for complete search history.

(56) **References Cited**

**U.S. PATENT DOCUMENTS**

D368,425 S \* 4/1996 Newell ..... D9/504  
D407,212 S \* 3/1999 Molaro ..... D3/211  
D435,886 S \* 1/2001 Benini ..... D22/100  
D491,222 S \* 6/2004 Derman ..... D19/154  
D646,179 S \* 10/2011 Jansen ..... D22/116

**1 Claim, 6 Drawing Sheets**



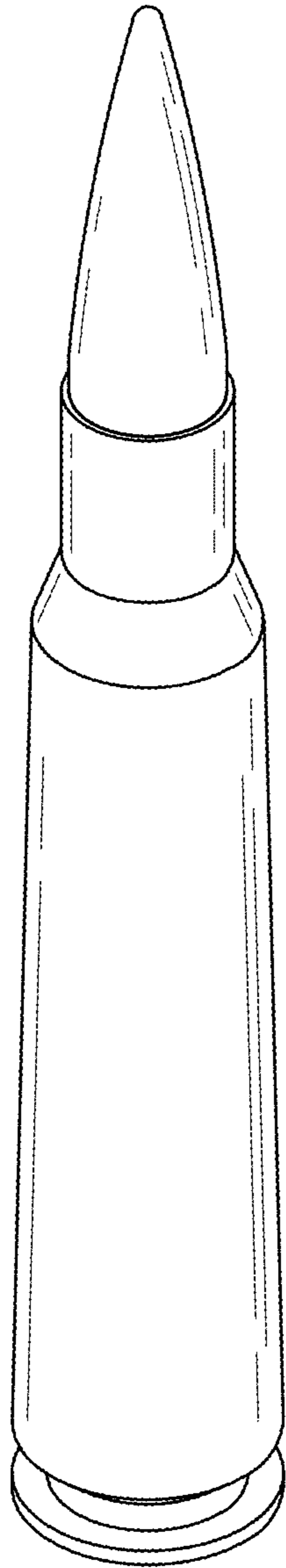


FIG. 1

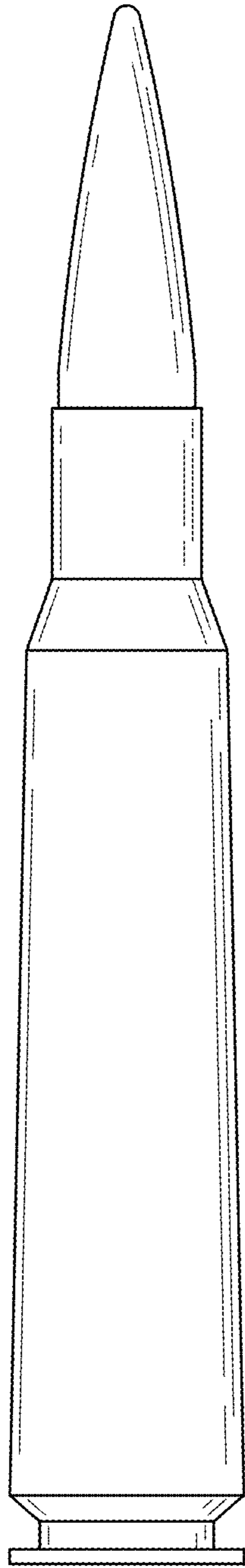


FIG. 2

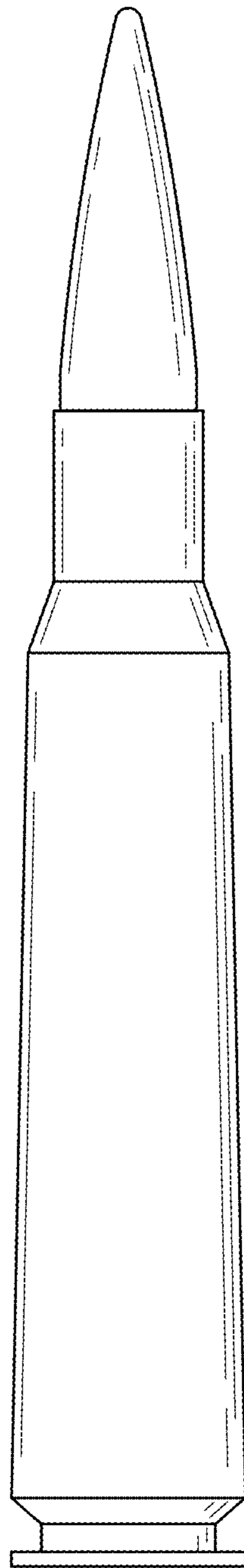


FIG. 3

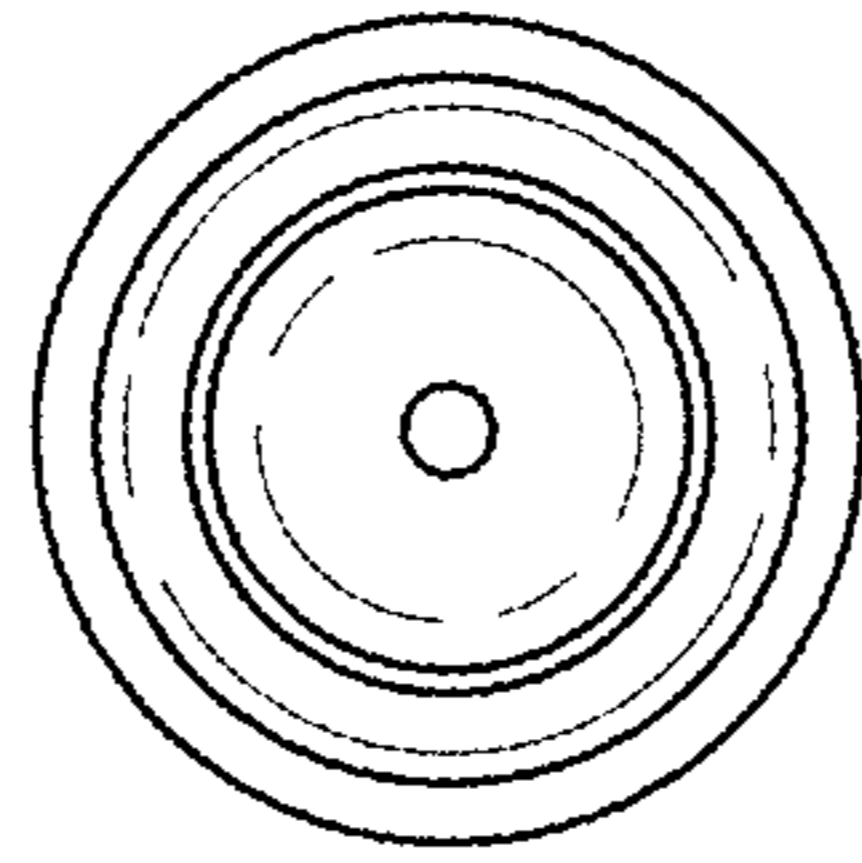


FIG. 4

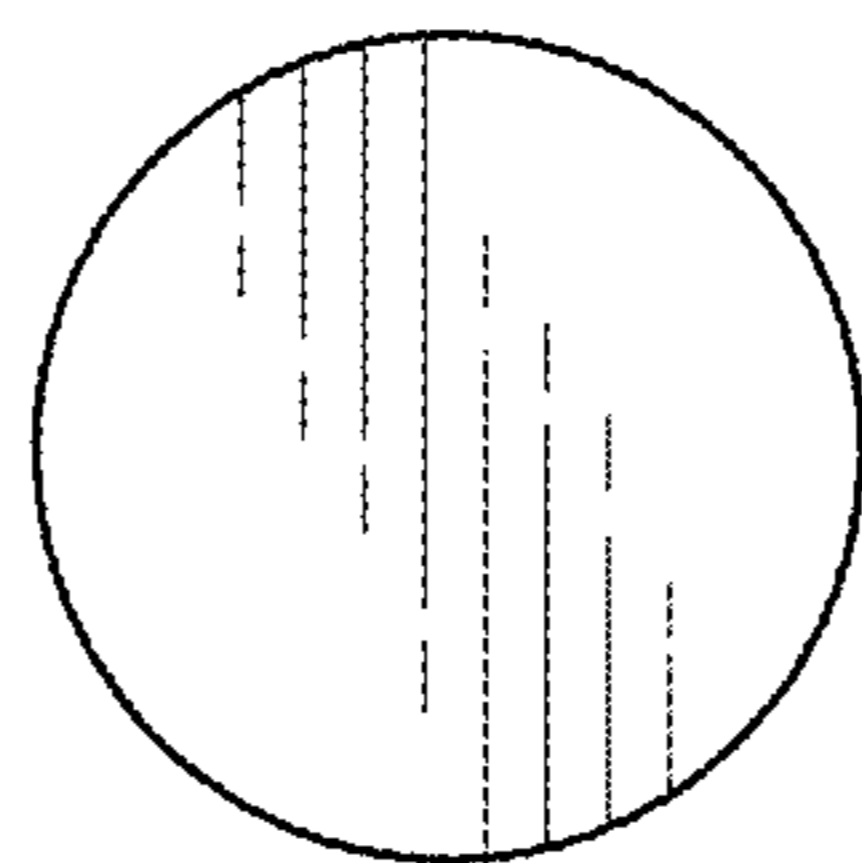


FIG. 5

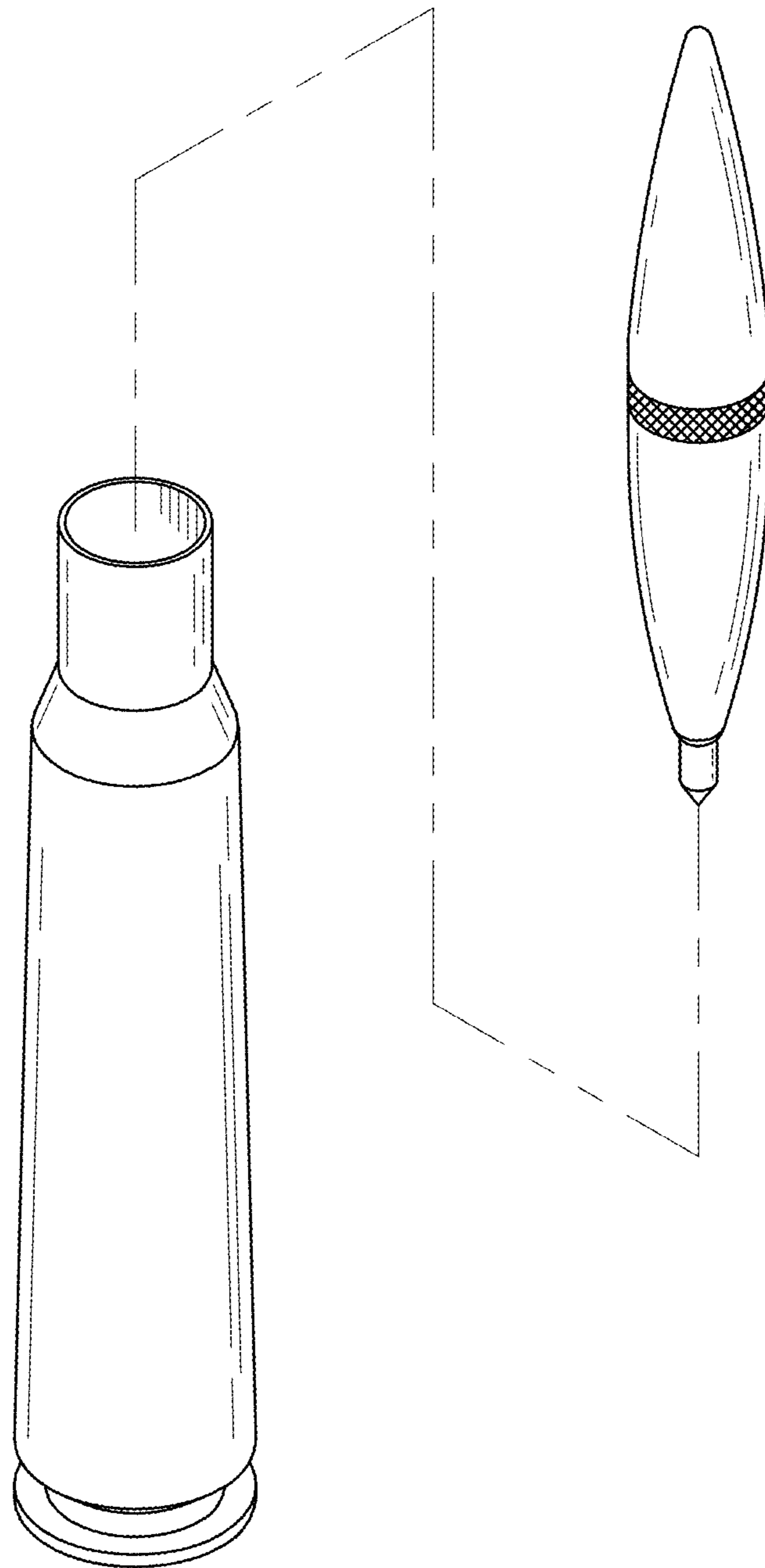


FIG. 6

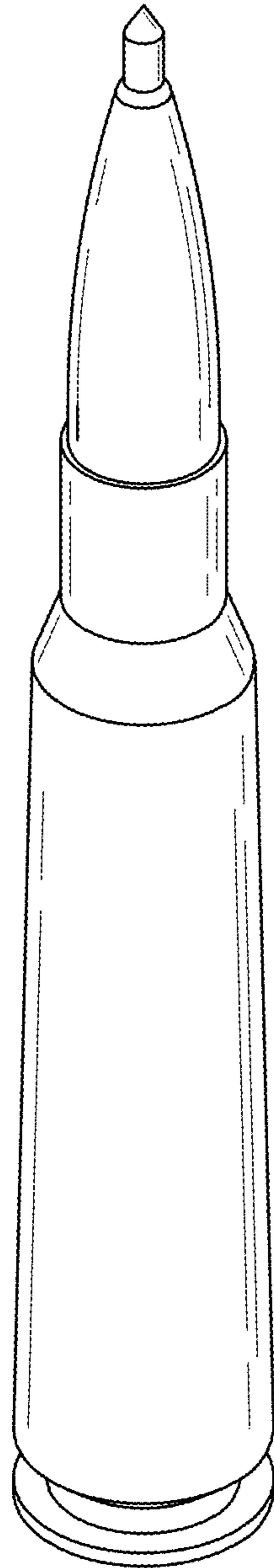


FIG. 7