



US00D878177S

(12) **United States Design Patent**
Kitago

(10) **Patent No.:** **US D878,177 S**

(45) **Date of Patent:** **** Mar. 17, 2020**

(54) **TRIGGER**

(71) Applicant: **HellermannTyton Co., Ltd.**, Toyko (JP)

(72) Inventor: **Toru Kitago**, Himeji (JP)

(73) Assignee: **HELLERMANNTYTON CO., LTD.** (JP)

(**) Term: **15 Years**

(21) Appl. No.: **29/640,546**

(22) Filed: **Mar. 15, 2018**

Related U.S. Application Data

(62) Division of application No. 29/566,616, filed on Jun. 1, 2016, now Pat. No. Des. 818,787.

(51) **LOC (12) Cl.** **08-05**

(52) **U.S. Cl.**
USPC **D8/44**

(58) **Field of Classification Search**
USPC D8/14, 44, 51, 52, 68; D9/448;
D23/226; D24/145

CPC B21F 9/02; B25B 25/005; B65B 13/345;
B65B 13/22; B65B 13/027

See application file for complete search history.

(56) **References Cited**

U.S. PATENT DOCUMENTS

- 5,806,770 A * 9/1998 Wang B05B 1/1681
239/391
- D404,276 S * 1/1999 Ghode D8/68
- D408,249 S * 4/1999 Fallandy D8/68
- D411,607 S * 6/1999 Wang D23/226

- D417,151 S * 11/1999 Spengler D9/448
- D421,718 S * 3/2000 Durliat D9/434
- D437,760 S * 2/2001 Izumisawa D8/68
- D441,628 S * 5/2001 Bass D8/68
- D473,773 S * 4/2003 Hillegonds D8/68
- D517,885 S * 3/2006 Corcoran D8/68
- D521,864 S * 5/2006 Cartoni D9/448
- D534,404 S * 1/2007 Concari D8/68
- D540,431 S * 4/2007 Turnbull D23/226
- D547,626 S * 7/2007 Lueschen D8/44
- D599,639 S * 9/2009 Bradford D8/68
- D642,036 S * 7/2011 Miller D8/68
- D700,821 S * 3/2014 Tschopp D8/68
- D705,651 S * 5/2014 Neumann B05B 11/3057
D9/448
- D707,519 S * 6/2014 Masugata D8/68
- D755,339 S * 5/2016 Geissele D22/108
- D794,756 S * 8/2017 Wang D23/226

* cited by examiner

Primary Examiner — Philip S Hyder

(74) *Attorney, Agent, or Firm* — Robert J. Myers

(57) **CLAIM**

The ornamental design for a trigger, as shown and described.

DESCRIPTION

FIG. 1 is a perspective view of a trigger embodying my new design;

FIG. 2 is an alternative perspective view thereof;

FIG. 3 is a left elevation view thereof;

FIG. 4 is a right elevation view thereof;

FIG. 5 is a front elevation view thereof;

FIG. 6 is a rear elevation view thereof;

FIG. 7 is a top plan view thereof; and,

FIG. 8 is a bottom plan view thereof.

1 Claim, 3 Drawing Sheets

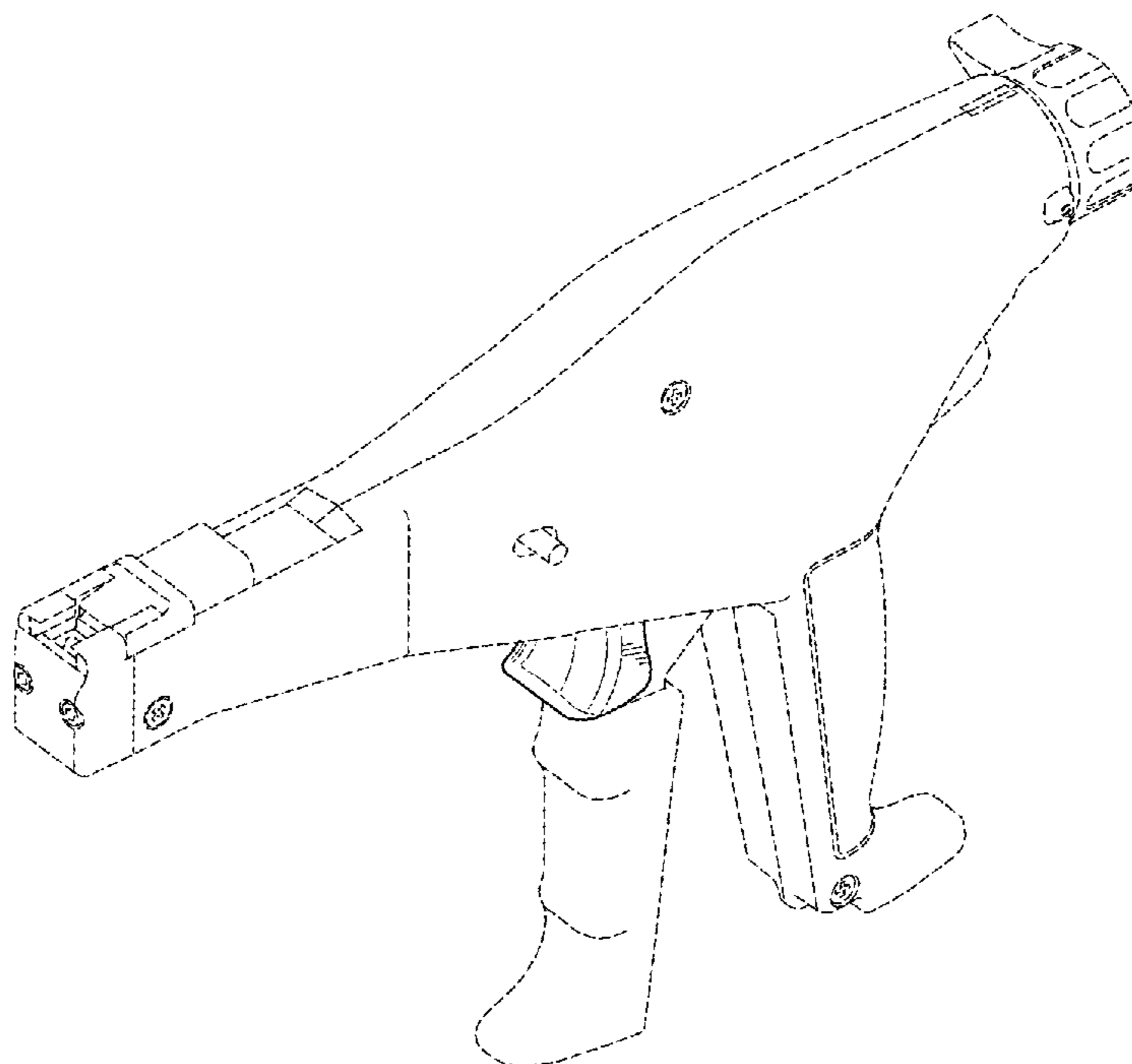


FIG. 1

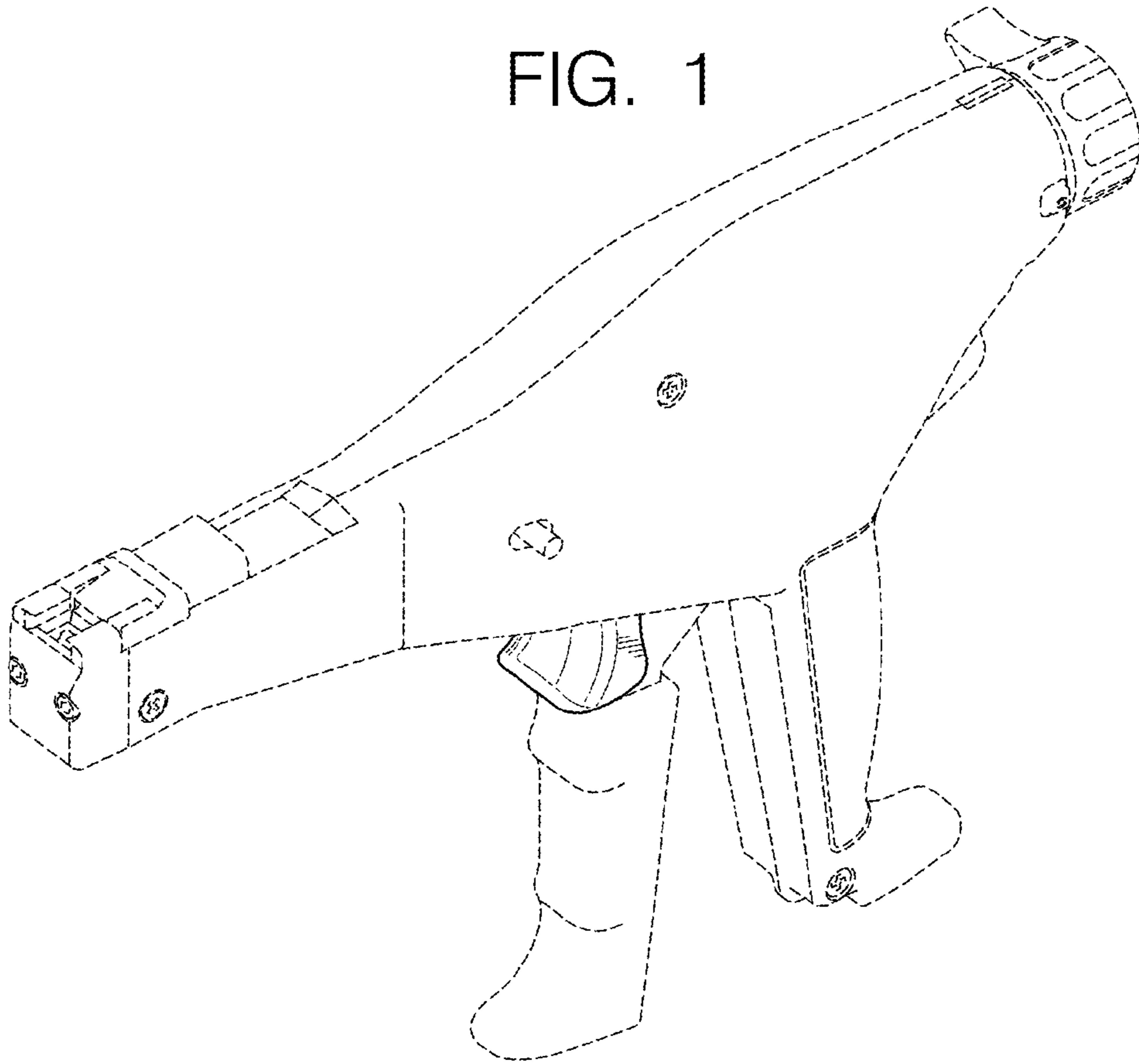


FIG. 2

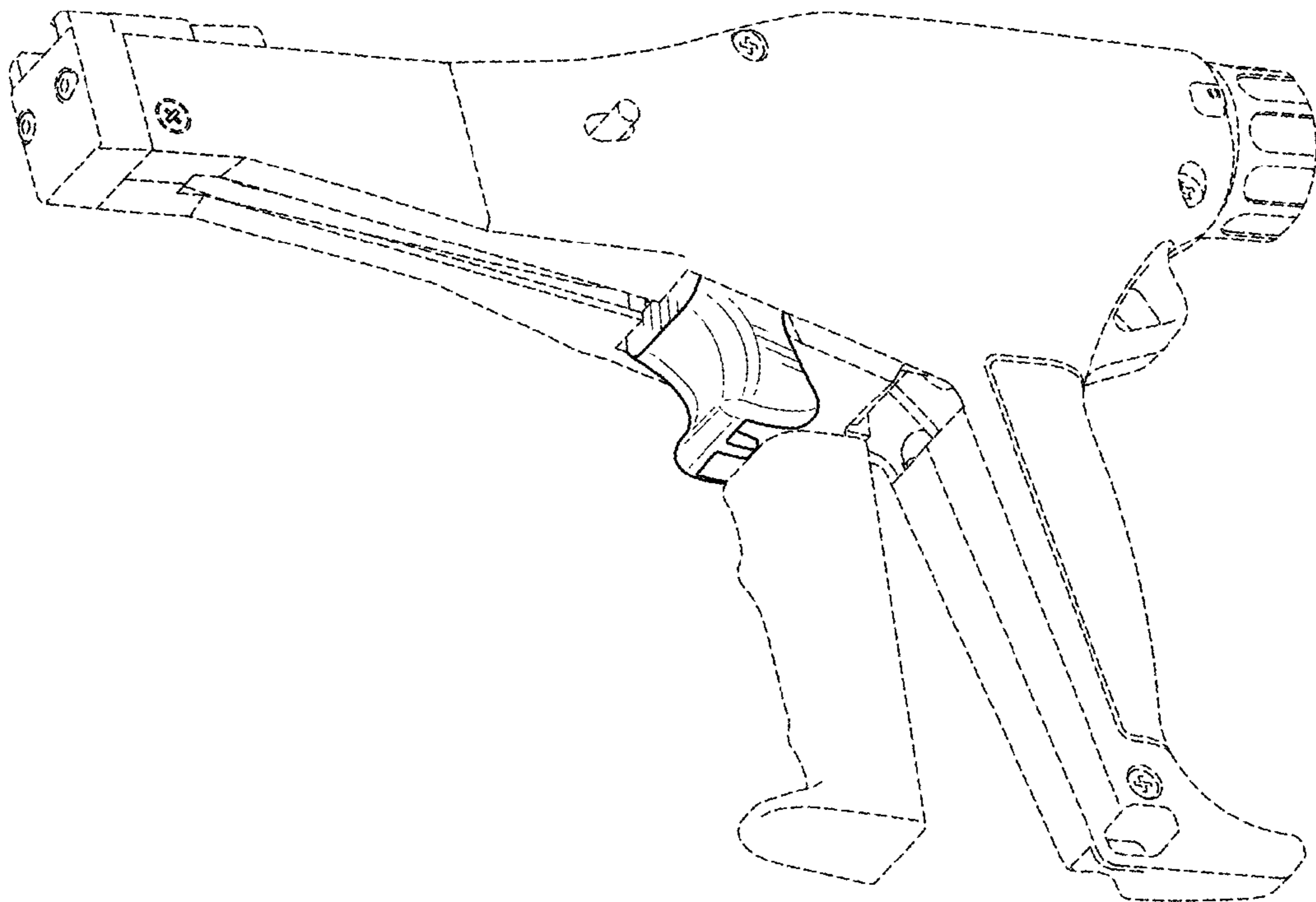


FIG. 3

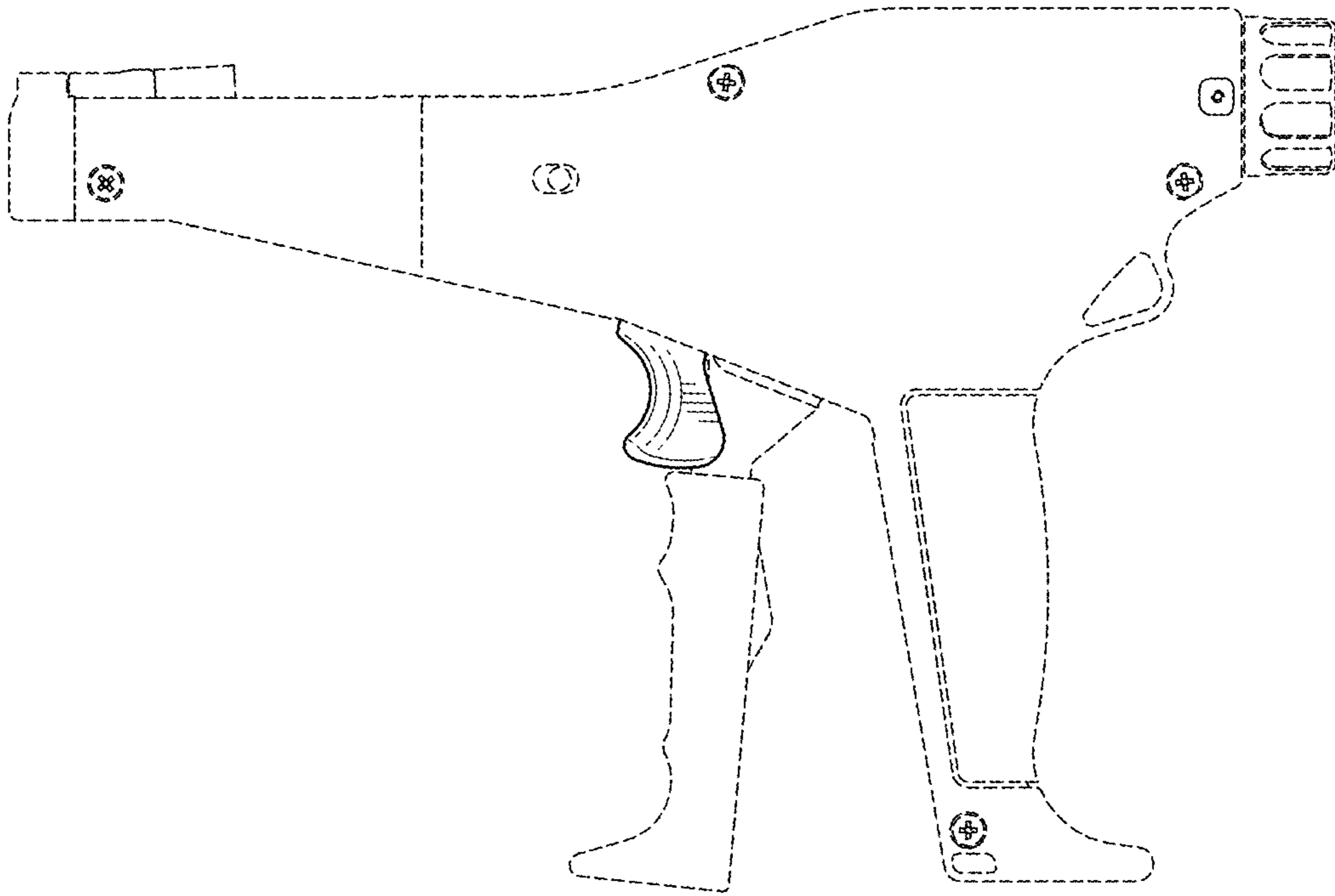


FIG. 4

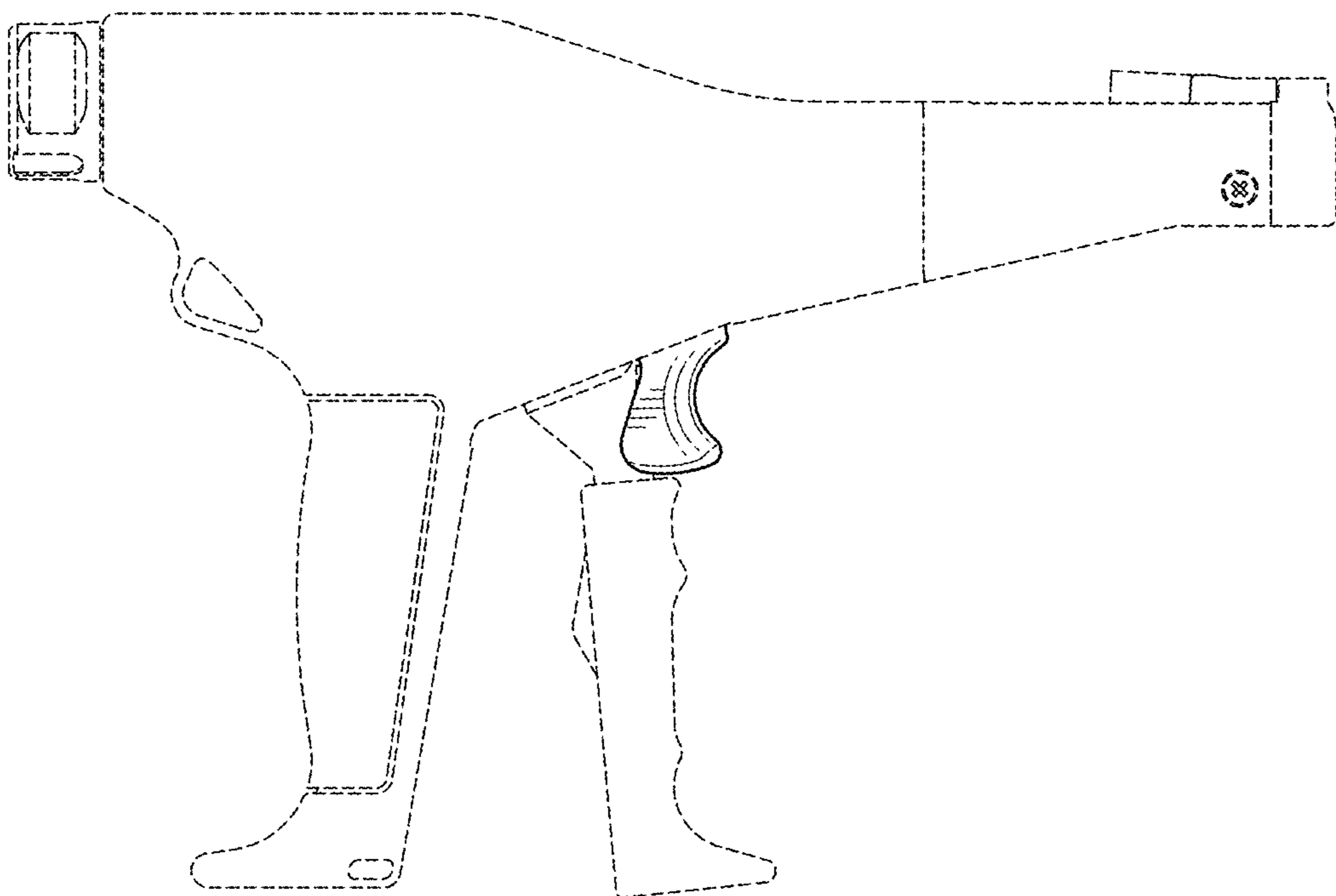


FIG. 5

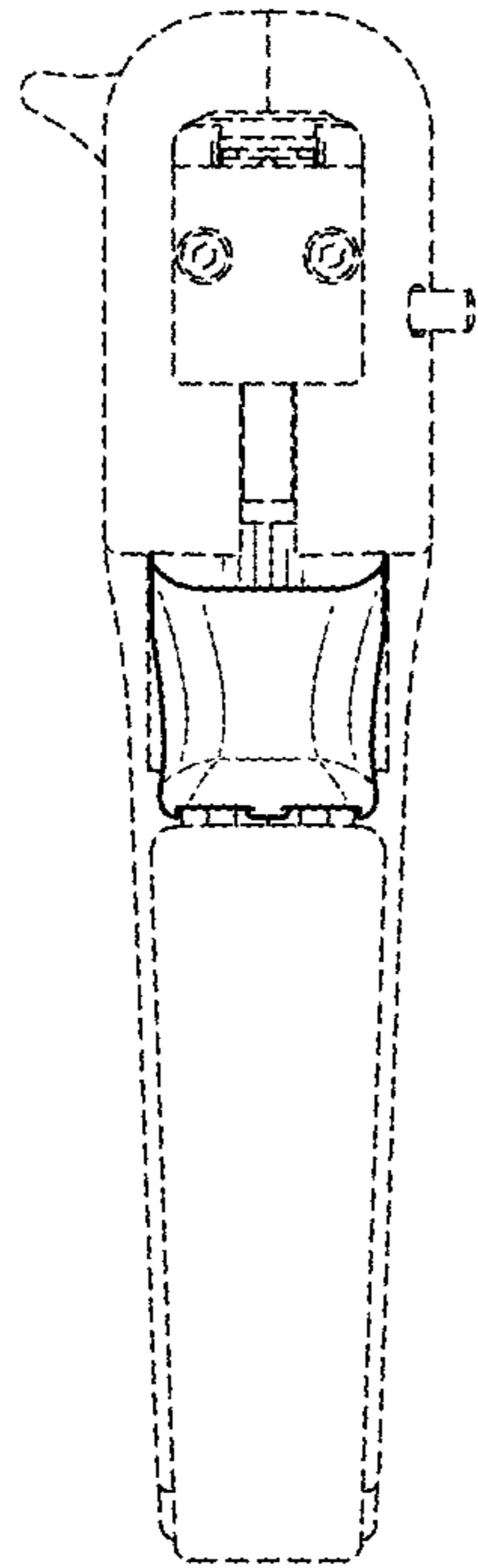


FIG. 6

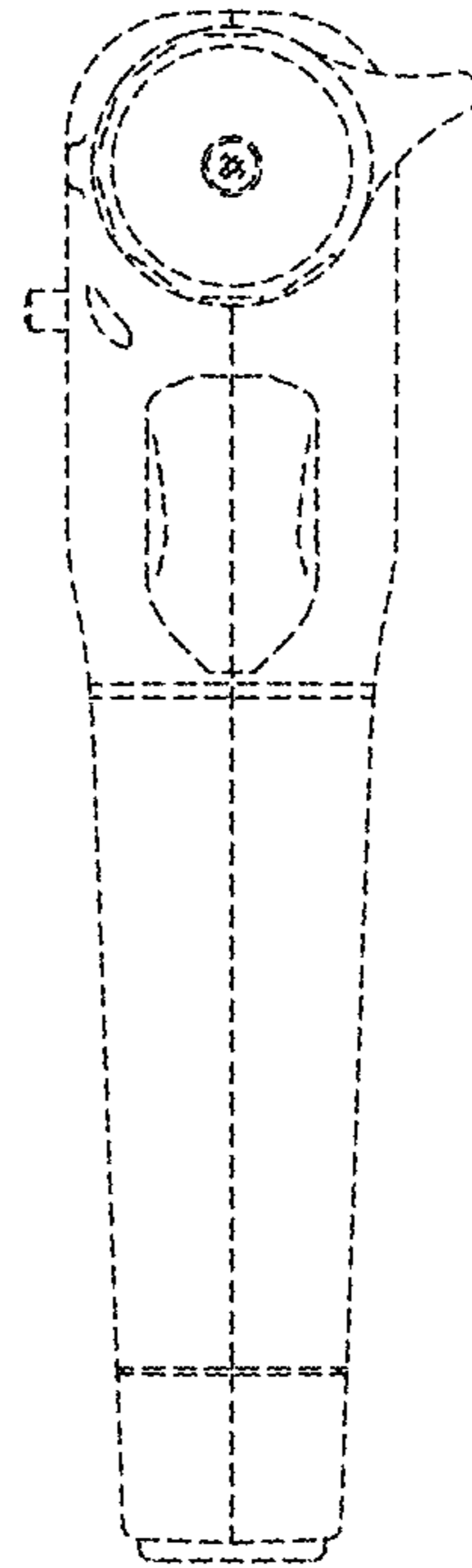


FIG. 7

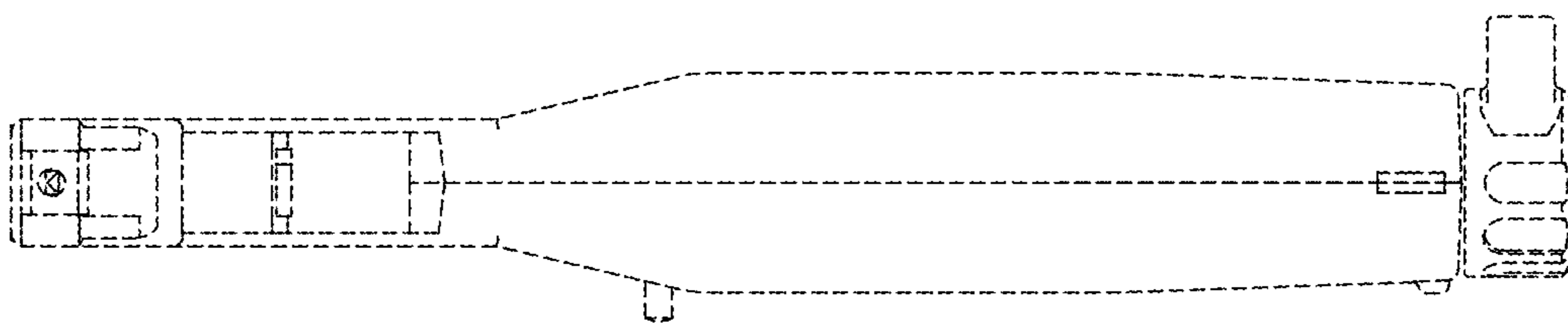


FIG. 8

