



US00D878176S

(12) **United States Design Patent** (10) **Patent No.:** **US D878,176 S**  
**Spatar** (45) **Date of Patent:** **\*\* Mar. 17, 2020**

(54) **BOTTLE OPENER**

A43C 11/1466; A43C 11/1433; G10K 1/26; G10K 1/28; G10K 9/22; H02G 1/00; F16L 33/02;

(71) Applicant: **RADIO SYSTEMS CORPORATION**,  
Knoxville, TN (US)

(Continued)

(72) Inventor: **Christopher Spatar**, Burlington, VT  
(US)

(56)

**References Cited**

U.S. PATENT DOCUMENTS

(73) Assignee: **RADIO SYSTEMS CORPORATION**,  
Knoxville, TN (US)

35,694 A 1/1902 Hull  
D42,070 S 12/1911 Vaughan  
(Continued)

(\*\*) Term: **15 Years**

OTHER PUBLICATIONS

(21) Appl. No.: **29/636,439**

(22) Filed: **Feb. 8, 2018**

Moose Knuckle Designs Sheppard Lite Stainless Steel EDC Bottle Opener Knuck New, posted unknown, [retrieved Dec. 10, 2018]. Retrieved from Internet, <URL: <https://www.worthpoint.com/worthopedia/moose-knuckle-designs-sheppard-lite-1825405858>>.\*

(51) **LOC (12) Cl.** ..... **08-05**

(52) **U.S. Cl.**  
USPC ..... **D8/19**

(Continued)

(58) **Field of Classification Search**

USPC ... D8/16, 17, 18, 19, 33, 34, 39, 40, 43, 51,  
D8/354, 363, 364, 366, 367, 368, 370,  
D8/371, 373, 380, 381; D6/323, 515,  
D6/518, 521, 523, 524, 537, 540, 545,  
D6/546, 549, 566; D25/38.1, 119, 122,  
D25/123; D2/602, 605, 606, 627, 643;  
D3/207, 215; D11/7, 40, 43, 79, 200,  
D11/201, 204, 208, 209, 212; D24/155;  
D29/129, 130

*Primary Examiner* — Karen E Kearney  
*Assistant Examiner* — Kristin E Reed

(74) *Attorney, Agent, or Firm* — Baker, Donelson,  
Bearman, Caldwell & Berkowitz PC

CPC ..... A61B 17/80; A61B 17/66; A61B 17/58;  
A61B 17/8019; A61B 17/842; A61B  
17/8625; A61B 17/863; A61B 17/8635;  
A61B 17/8866; B67B 7/44; B67B 7/18;  
B67B 7/0423; B67B 7/16; E04G 5/041;  
E04G 5/043; E04G 21/3276; E04G  
21/3285; E04D 13/12; B25F 1/04; B25F  
5/027; B26B 11/001; A47K 10/40; A47H  
27/00; A47G 7/045; A47B 13/02; A47B  
87/00; A47B 96/02; A47B 96/06; A47B  
57/06; A47B 87/005; A47B 57/34; A47B  
96/021; A47B 96/061; A47F 5/13; A44B  
11/04; A43B 1/0027; A43C 11/1413;

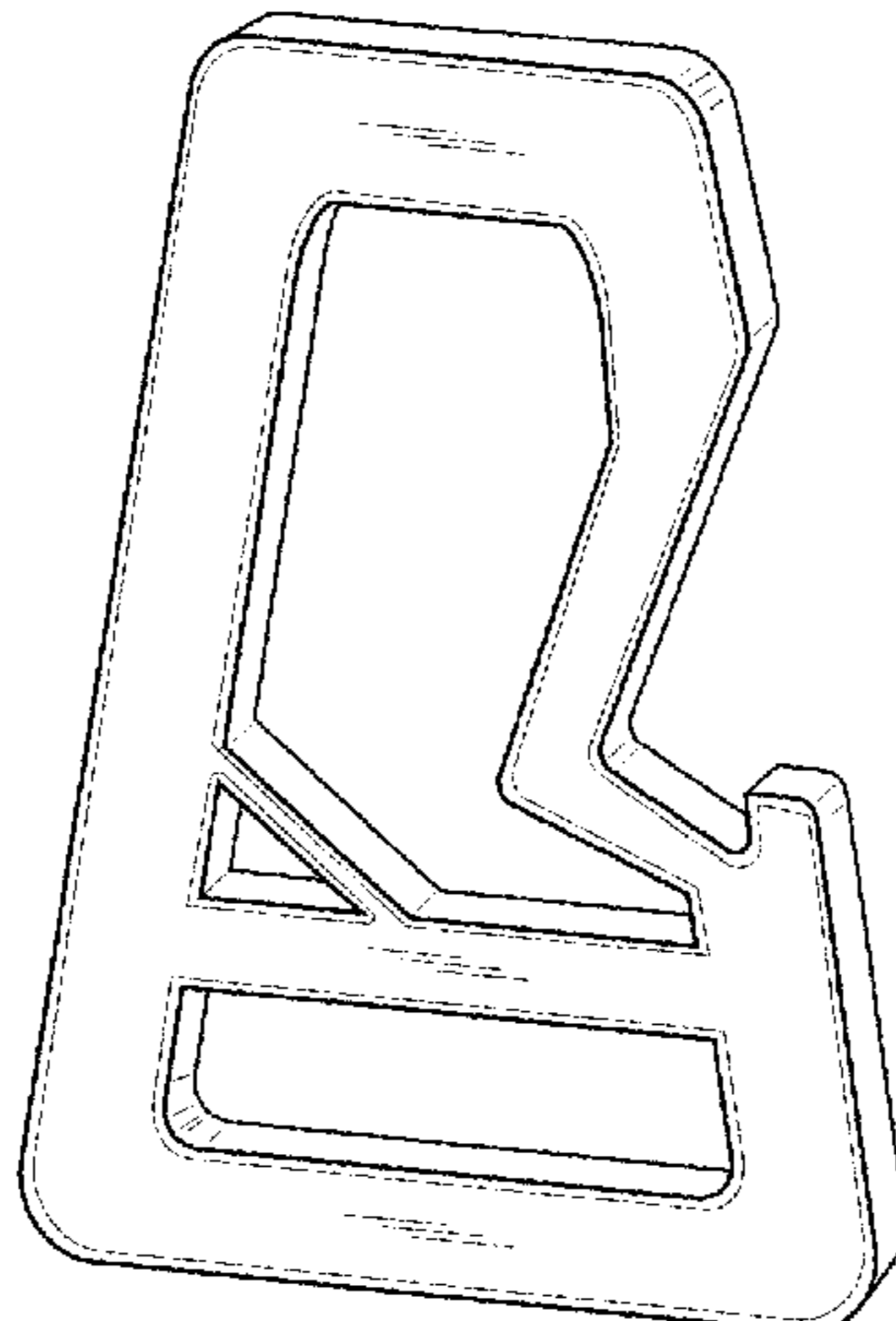
(57) **CLAIM**

The ornamental design for a bottle opener, as shown and described.

**DESCRIPTION**

FIG. 1 shows a perspective view of my design for a bottle opener;  
FIG. 2 is a front view thereof;  
FIG. 3 is a back view thereof;  
FIG. 4 is a top view thereof;  
FIG. 5 is a bottom view thereof;  
FIG. 6 is a side view thereof; and,  
FIG. 7 is another side view thereof.

(Continued)



The bottle opener of the present invention is designed to attach to a piece of webbing and can be used as a bottle opener.

**1 Claim, 2 Drawing Sheets**

**(58) Field of Classification Search**

CPC ..... F16L 33/22; F16L 35/00; B63B 22/00;  
F16B 37/02; A45F 2200/0575; B25B  
13/54; F16G 13/16

See application file for complete search history.

**(56) References Cited**

U.S. PATENT DOCUMENTS

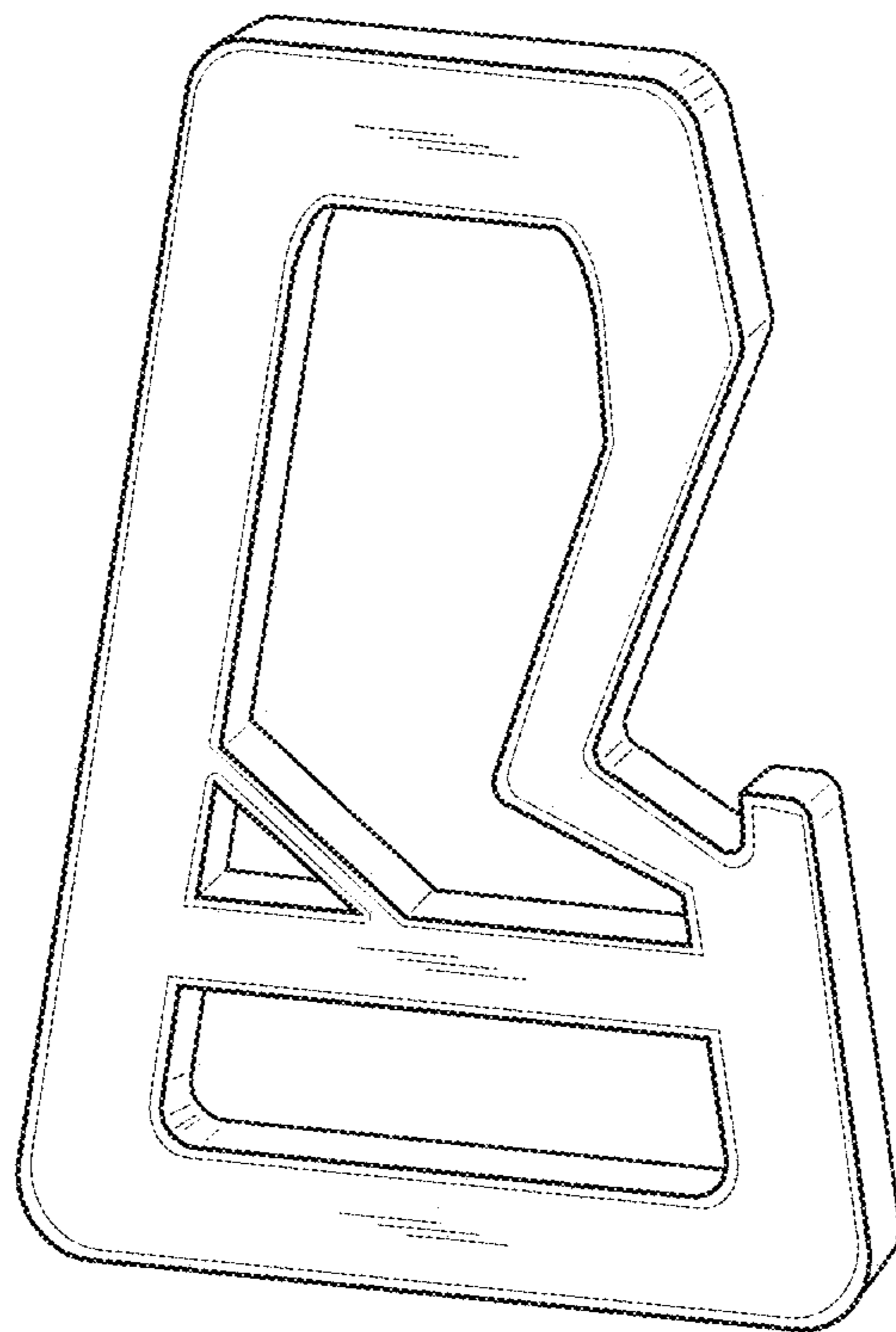
1,314,905	A	9/1919	Sard	
2,856,804	A	10/1958	Whiteley	
4,135,267	A	1/1979	McKinney	
4,976,172	A	12/1990	Thomas	
5,077,850	A *	1/1992	Brubaker .....	A44B 15/005 224/163
D357,435	S	4/1995	Cook	
D364,126	S	11/1995	Ochiai	
D427,547	S	7/2000	Yoshiguchi	
D435,807	S	1/2001	Anscher	
6,185,772	B1	1/2001	Bates	
D444,685	S	7/2001	Shenkel	
D449,438	S	10/2001	Simond	
D474,713	S	5/2003	Eddy	
D475,591	S	6/2003	Luquire	
7,086,310	B2	8/2006	Oleksy	
D568,127	S	5/2008	Oas	

7,380,349	B2	6/2008	Ritter	
D623,030	S *	9/2010	Spater .....	D8/16
D625,654	S *	10/2010	Spater .....	D11/210
D625,988	S *	10/2010	Chan .....	D8/367
D656,430	S *	3/2012	Spater .....	D11/210
D657,134	S *	4/2012	Tepper .....	A45F 5/00 D3/215
D661,573	S *	6/2012	Paik .....	D8/367
D737,173	S	8/2015	Kelleghan	
D747,947	S *	1/2016	Ma .....	D8/105
D748,013	S	1/2016	Spater	
D748,956	S	2/2016	Goeckel	
D772,029	S *	11/2016	Spater .....	D8/18
D773,908	S	12/2016	Arakelian	
D818,391	S *	5/2018	Chang .....	D11/208
D818,392	S *	5/2018	Chang .....	D11/218
D821,090	S *	6/2018	Case .....	D3/207
2005/0066484	A1 *	3/2005	Hurn .....	A44B 11/04 24/321
2011/0154955	A1	6/2011	Fidrych	

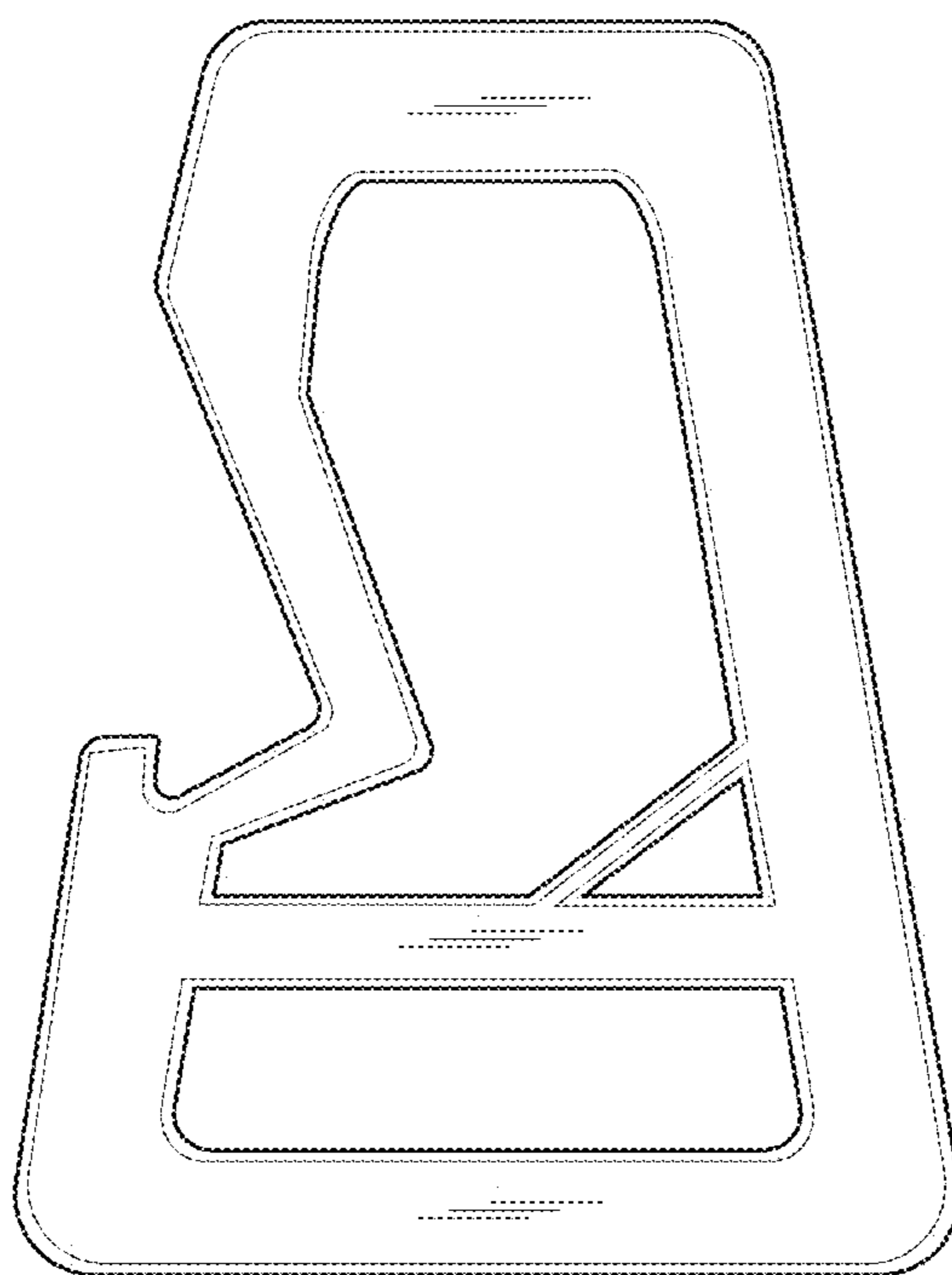
OTHER PUBLICATIONS

EDC Outdoor Tool Stainless Steel Carabiner D Ring Keychain Opener Hook, posted Dec. 14, 2015, [retrieved Dec. 10, 2018]. Retrieved from Internet, <URL: [https://www.banggood.com/EDC-Outdoor-Tool-Stainless-Steel-Carabiner-D-Ring-Keychain-Opener-Hook-p-975361.html?cur\\_warehouse=CN#jsReviewsWrap](https://www.banggood.com/EDC-Outdoor-Tool-Stainless-Steel-Carabiner-D-Ring-Keychain-Opener-Hook-p-975361.html?cur_warehouse=CN#jsReviewsWrap) >.\*  
Sanrenmu SK025Z Multifunctional Tool Key Chain for Outdoor—Silver, posted Jun. 19, 2016, [retrieved Dec. 10, 2018]. Retrieved from Internet, <URL: [https://www.gearbest.com/carabiner/pp\\_360220.html?wid=1433363](https://www.gearbest.com/carabiner/pp_360220.html?wid=1433363) >.\*

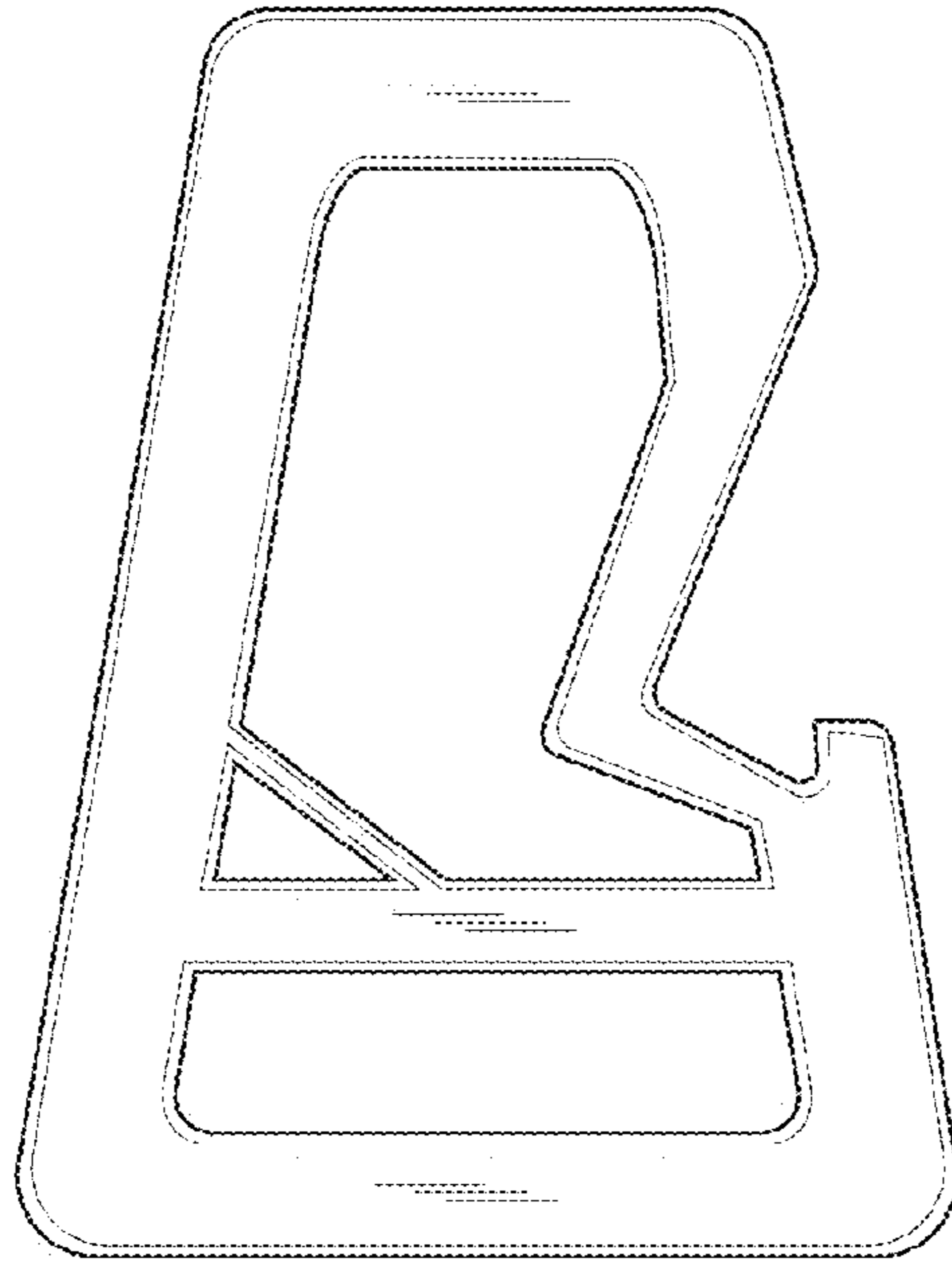
\* cited by examiner



**Fig. 1**



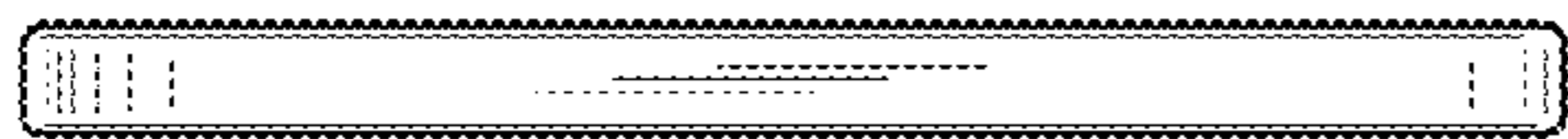
**Fig. 2**



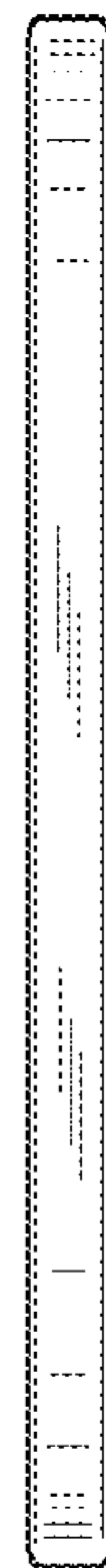
**Fig. 3**



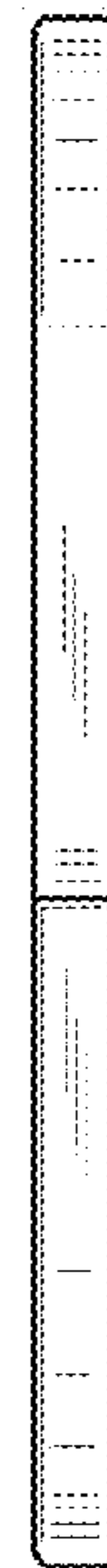
**Fig. 4**



**Fig. 5**



**Fig. 6**



**Fig. 7**