



US00D878174S

(12) **United States Design Patent**
Garcia

(10) **Patent No.:** **US D878,174 S**
(45) **Date of Patent:** **** Mar. 17, 2020**

(54) **SAND DRESSING IMPLEMENT**

(71) Applicant: **Martin Yzaguirre Garcia**, Cypress, TX (US)

(72) Inventor: **Martin Yzaguirre Garcia**, Cypress, TX (US)

(**) Term: **15 Years**

(21) Appl. No.: **29/686,714**

(22) Filed: **Apr. 6, 2019**

(51) **LOC (12) Cl.** **08-01**

(52) **U.S. Cl.**
USPC **D8/13**

(58) **Field of Classification Search**

USPC D8/13; D30/158; D21/532
CPC ... A01D 7/10; A01D 7/00; A01D 7/02; A01D 51/00

See application file for complete search history.

(56) **References Cited**

U.S. PATENT DOCUMENTS

3,789,590	A *	2/1974	Wilson	A01D 51/00 56/14.7
5,179,825	A	1/1993	Griffiths		
5,357,739	A	10/1994	Nuss		
7,065,947	B1	6/2006	Street		
D801,765	S *	11/2017	Gibson	D8/13
D801,766	S *	11/2017	Gibson	D8/13
2015/0208588	A1 *	7/2015	Cady	A01G 20/43 15/98

* cited by examiner

Primary Examiner — Sheryl Lane

(74) *Attorney, Agent, or Firm* — Lisa Foundation Patent Law Clinic at Arizona State University

(57) **CLAIM**

The ornamental design for a sand dressing implement, as shown.

DESCRIPTION

FIG. 1 is a perspective view depicting a sand dressing implement with rake.

FIG. 2 is a front view depicting the sand dressing implement with rake.

FIG. 3 is a rear view depicting a sand dressing implement with rake.

FIG. 4 is a top view depicting a sand dressing implement with rake.

FIG. 5 is a bottom view depicting the sand dressing implement with rake.

FIG. 6 is a side view depicting the sand dressing implement with rake.

FIG. 7 is a second side view depicting the sand dressing implement with rake.

FIG. 8 is a rear view depicting a sand dressing implement.

FIG. 9 is a front view depicting the sand dressing implement.

FIG. 10 is a rear view depicting a sand dressing implement.

FIG. 11 is a top view a sand dressing implement.

FIG. 12 is a bottom view depicting the sand dressing implement.

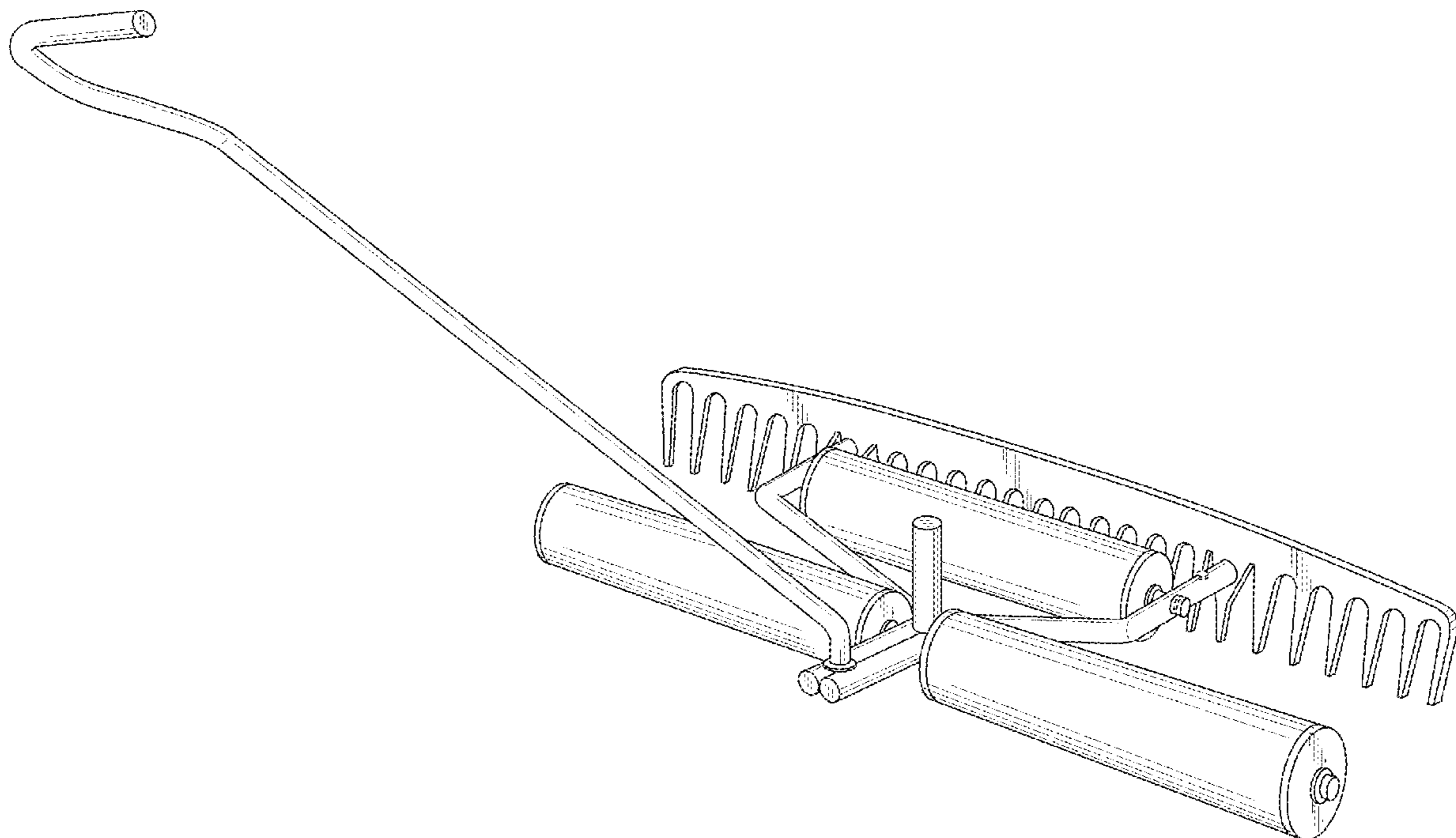
FIG. 13 is a side view depicting the sand dressing implement; and,

FIG. 14 is a second side view depicting the sand dressing implement.

The broken lines represent portions of the implement and form no part of the claimed design.

The rake portion is removed from FIGS. 9-14 to show aspects of the design that may not be apparent in other views.

1 Claim, 14 Drawing Sheets



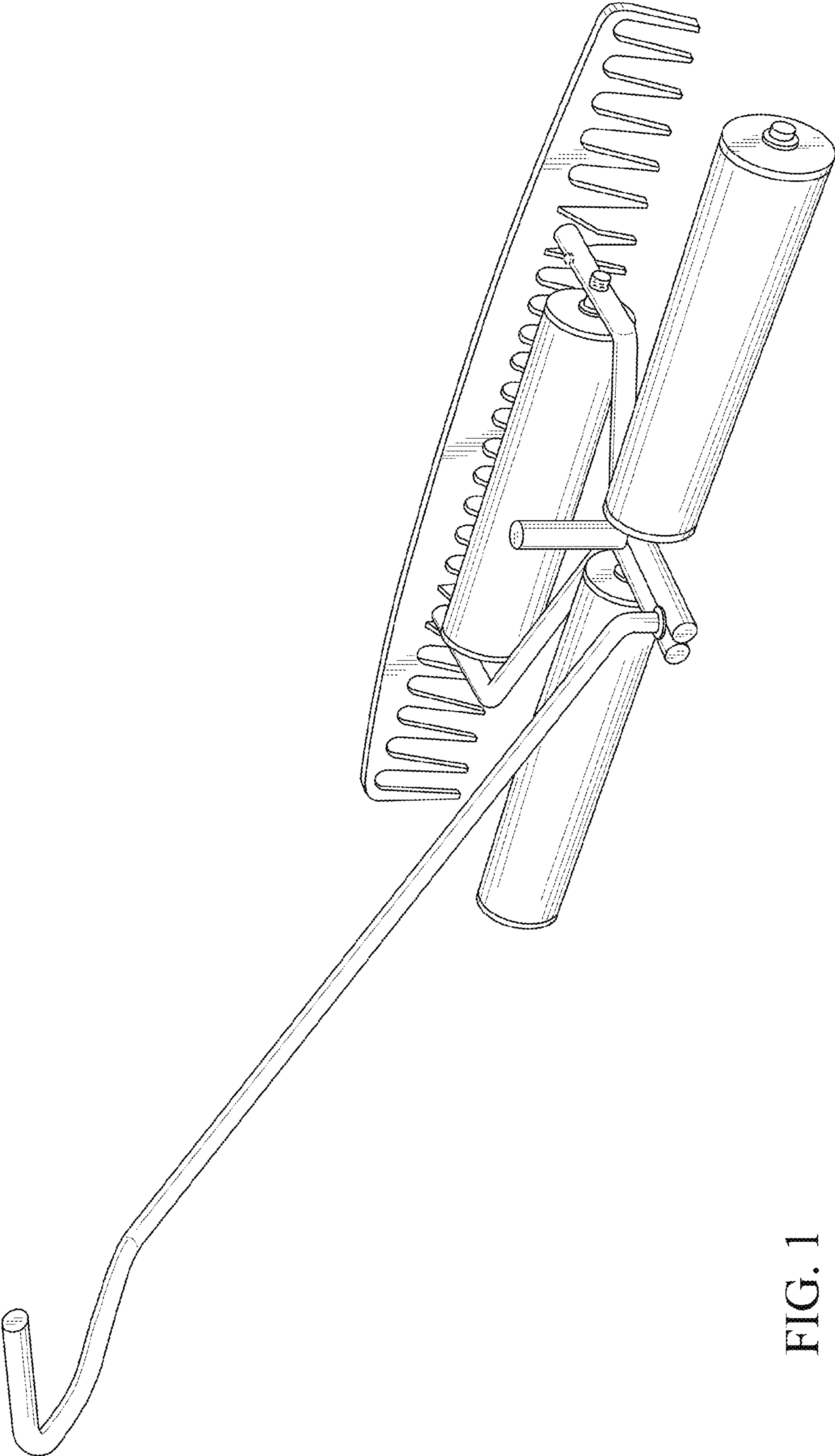


FIG. 1

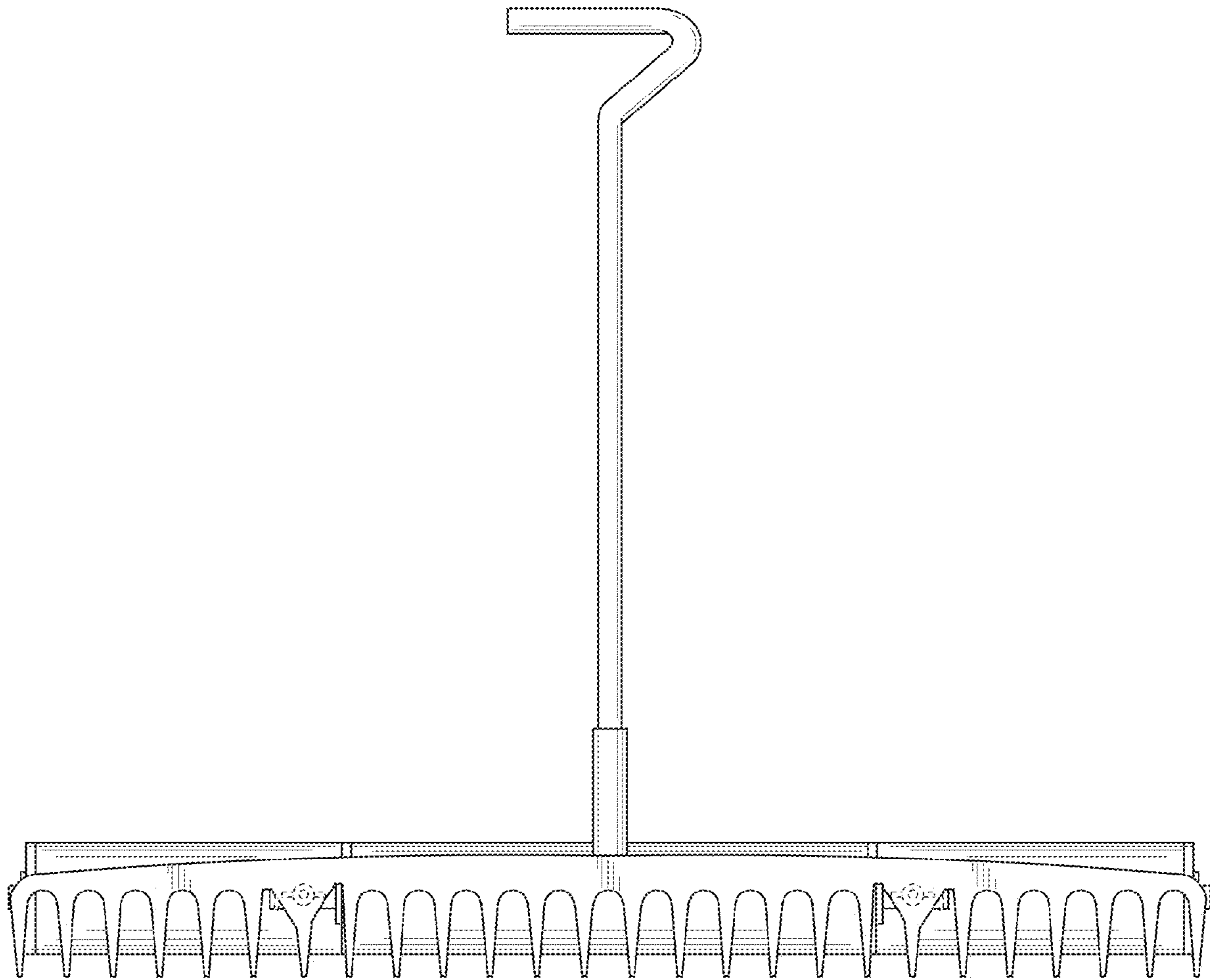


FIG. 2

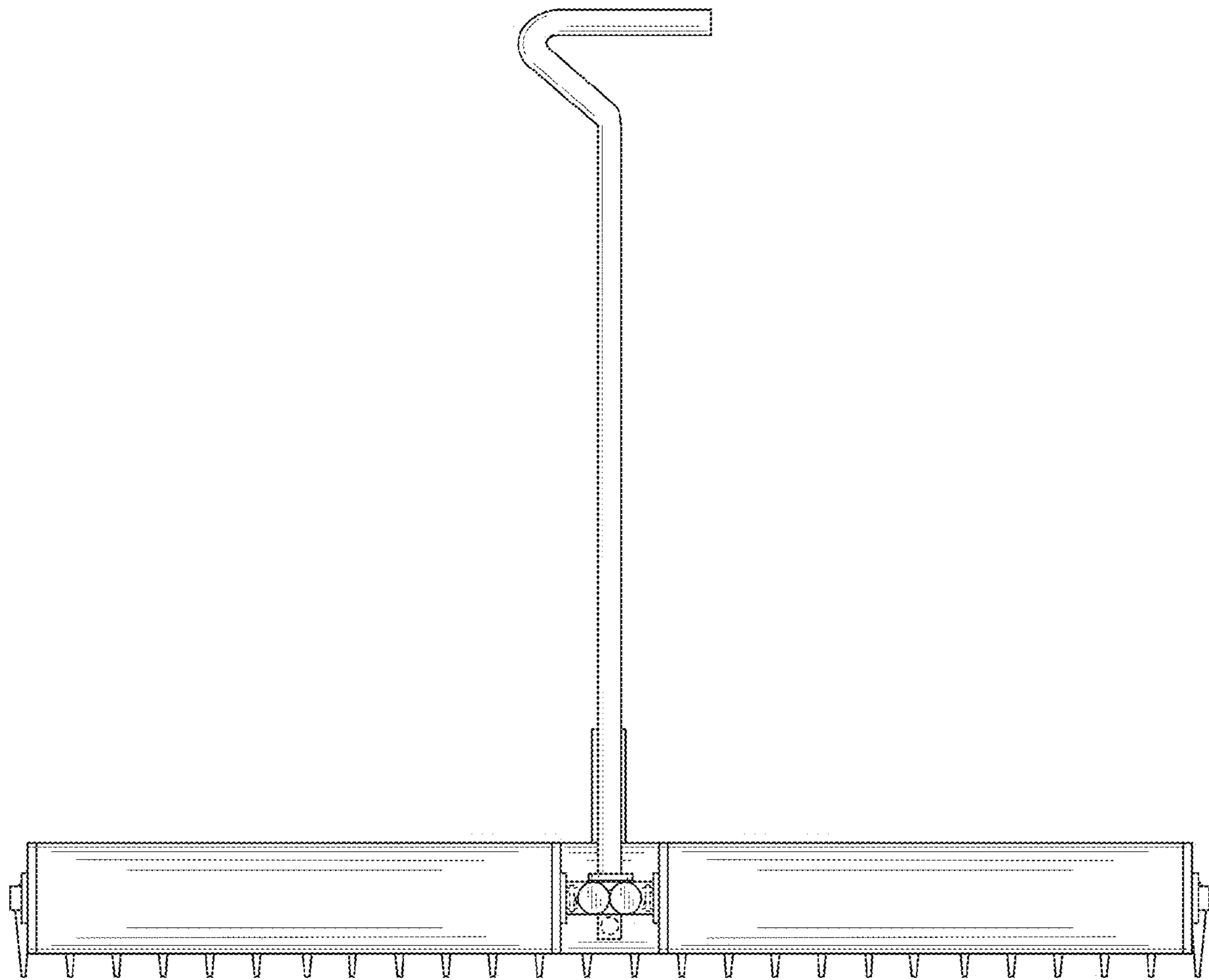


FIG. 3

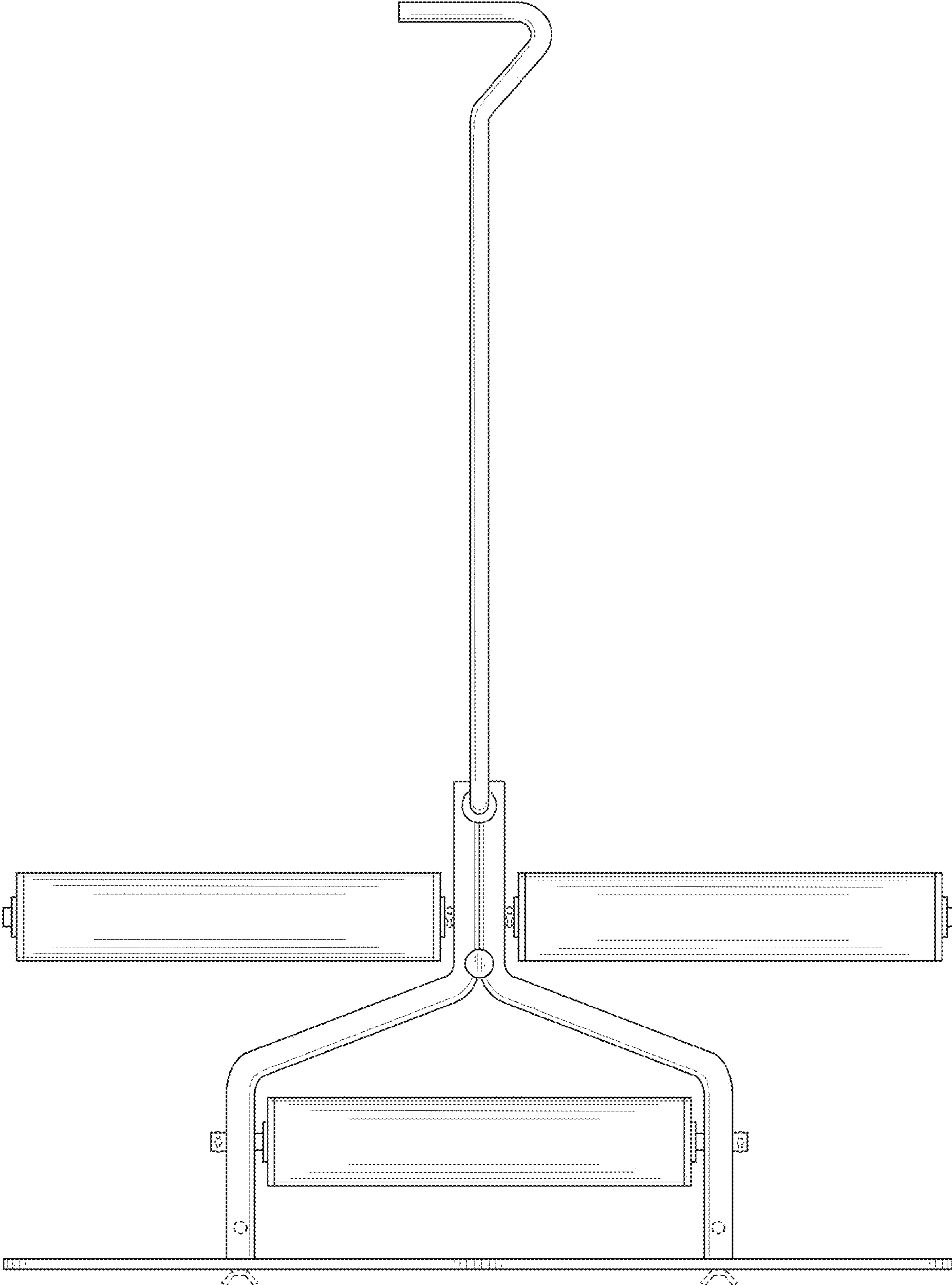


FIG. 4

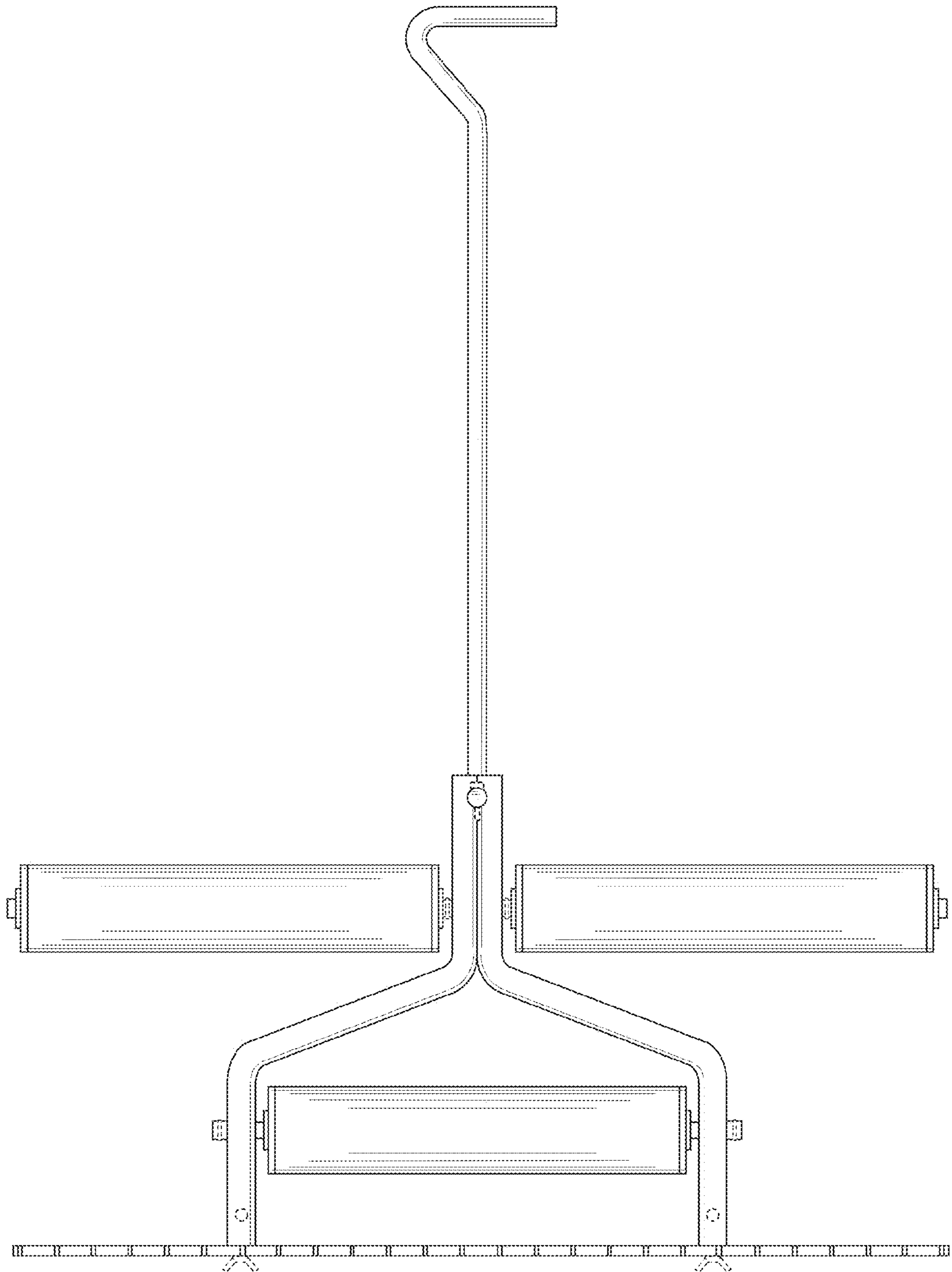


FIG. 5

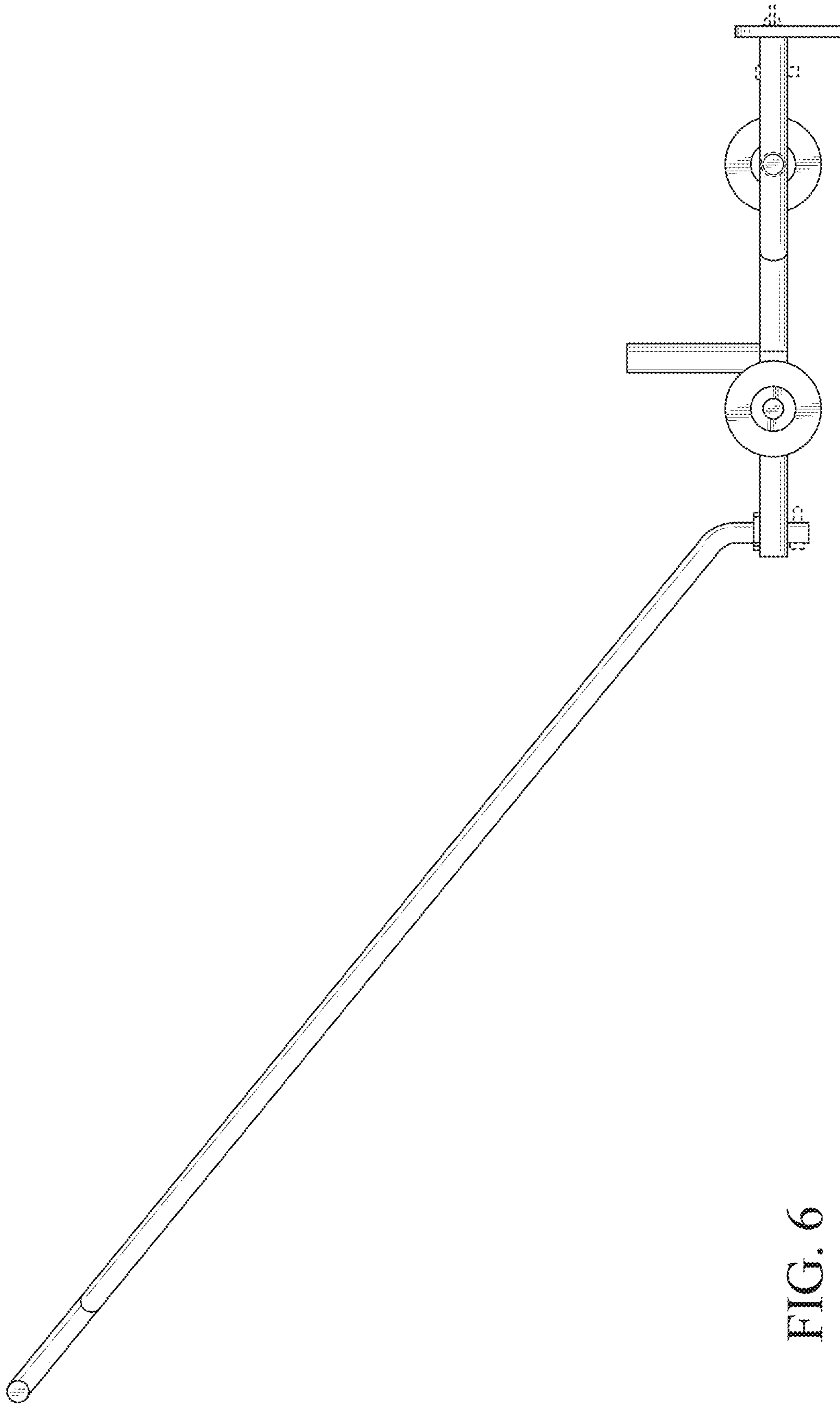


FIG. 6

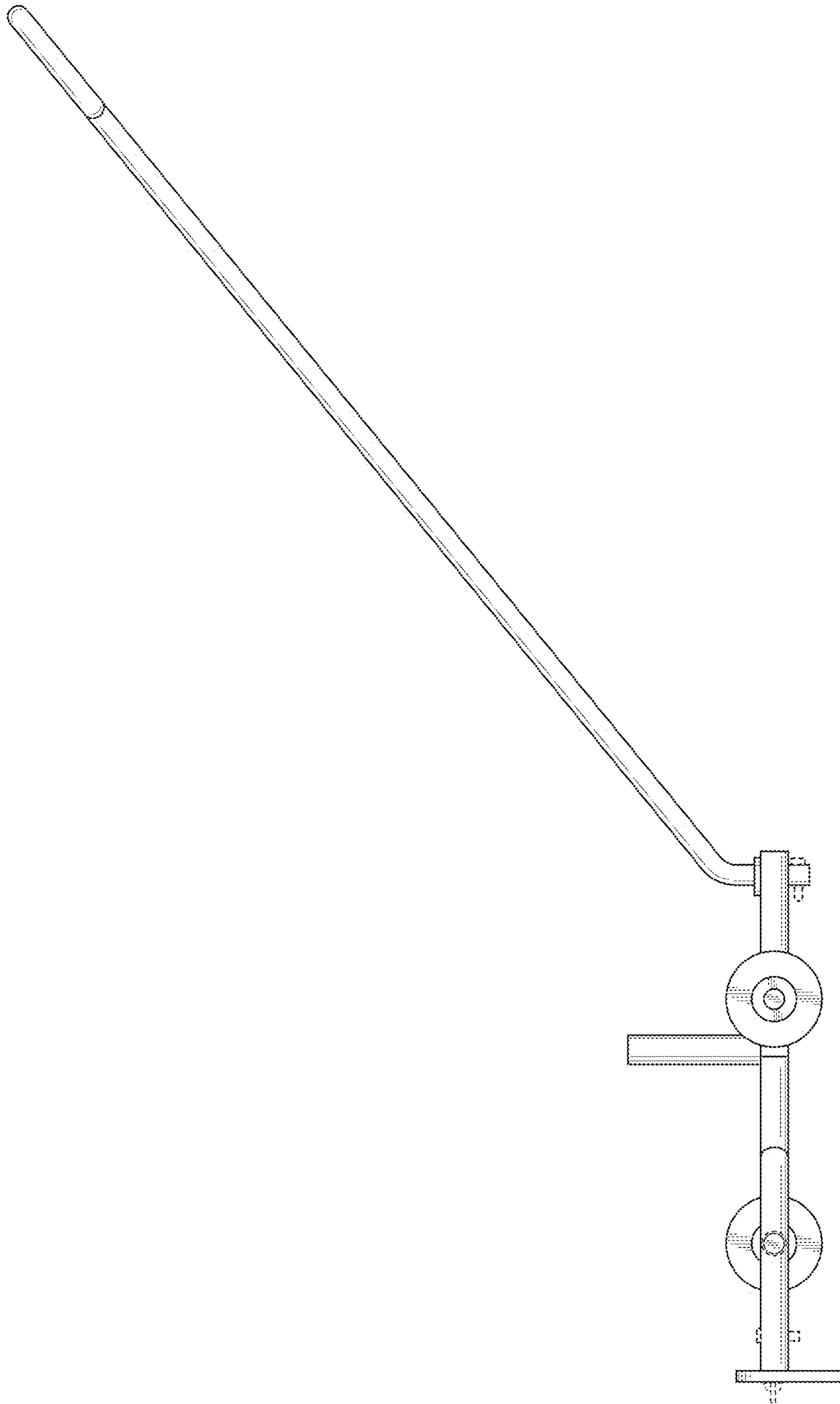


FIG. 7

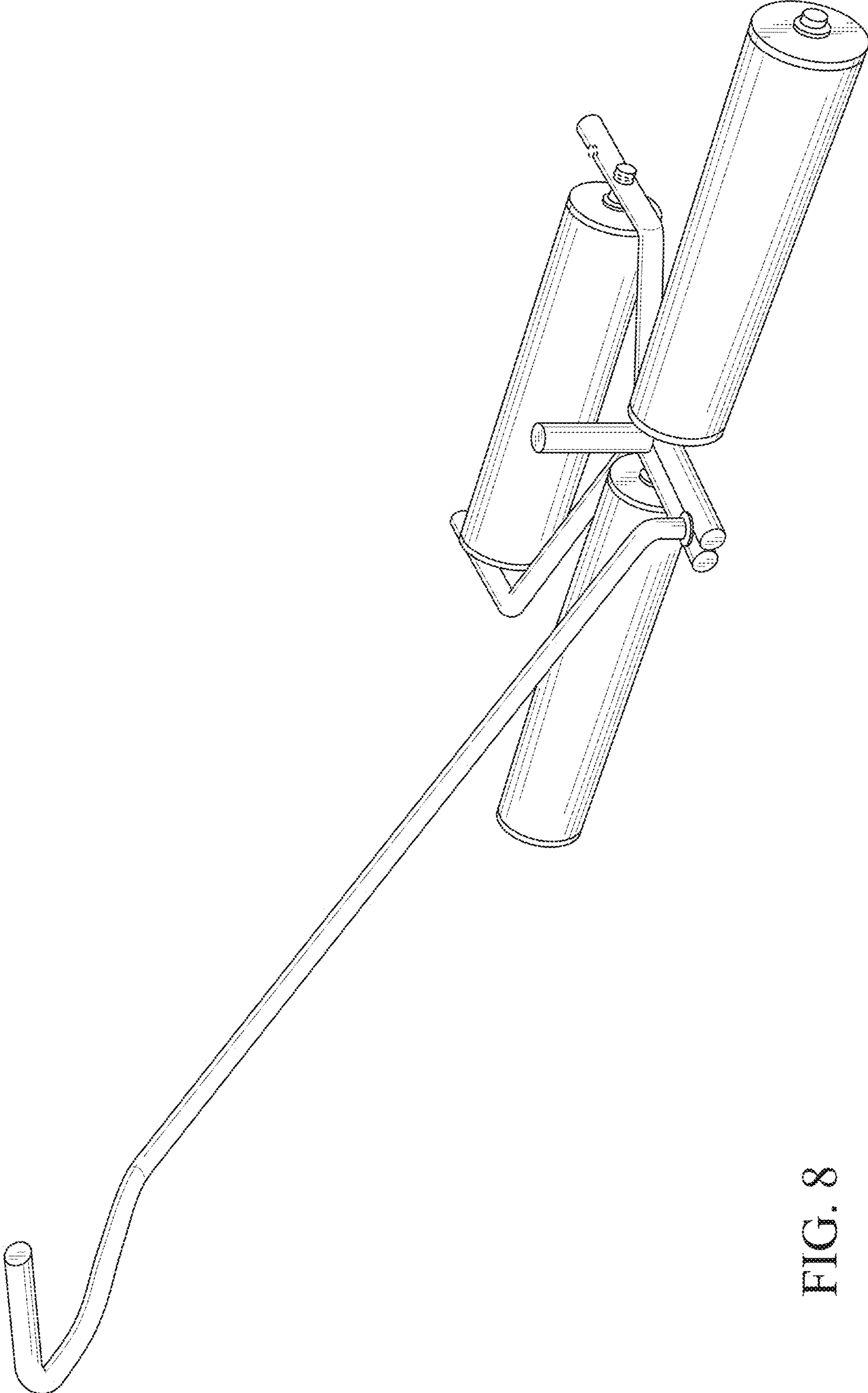


FIG. 8

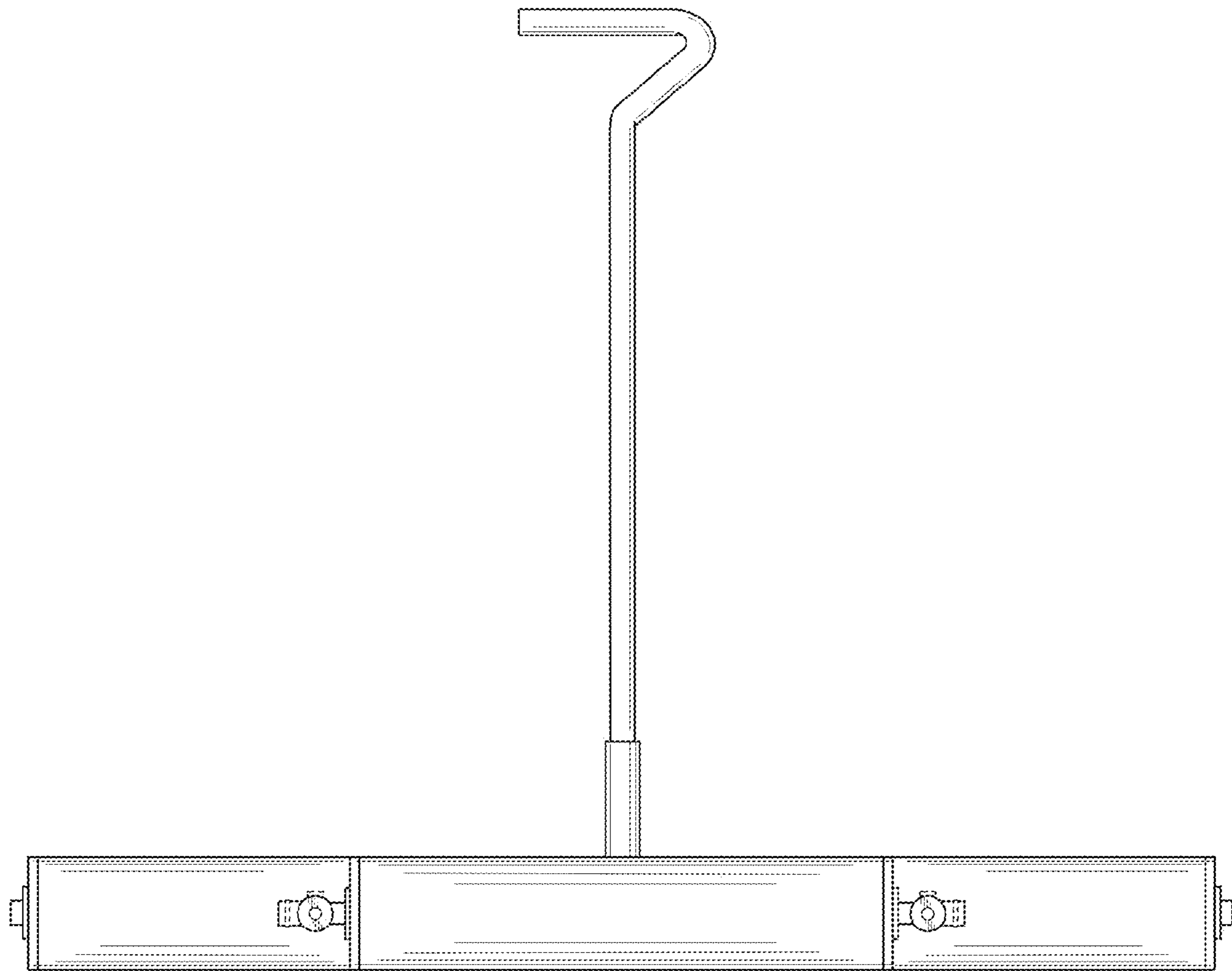


FIG. 9

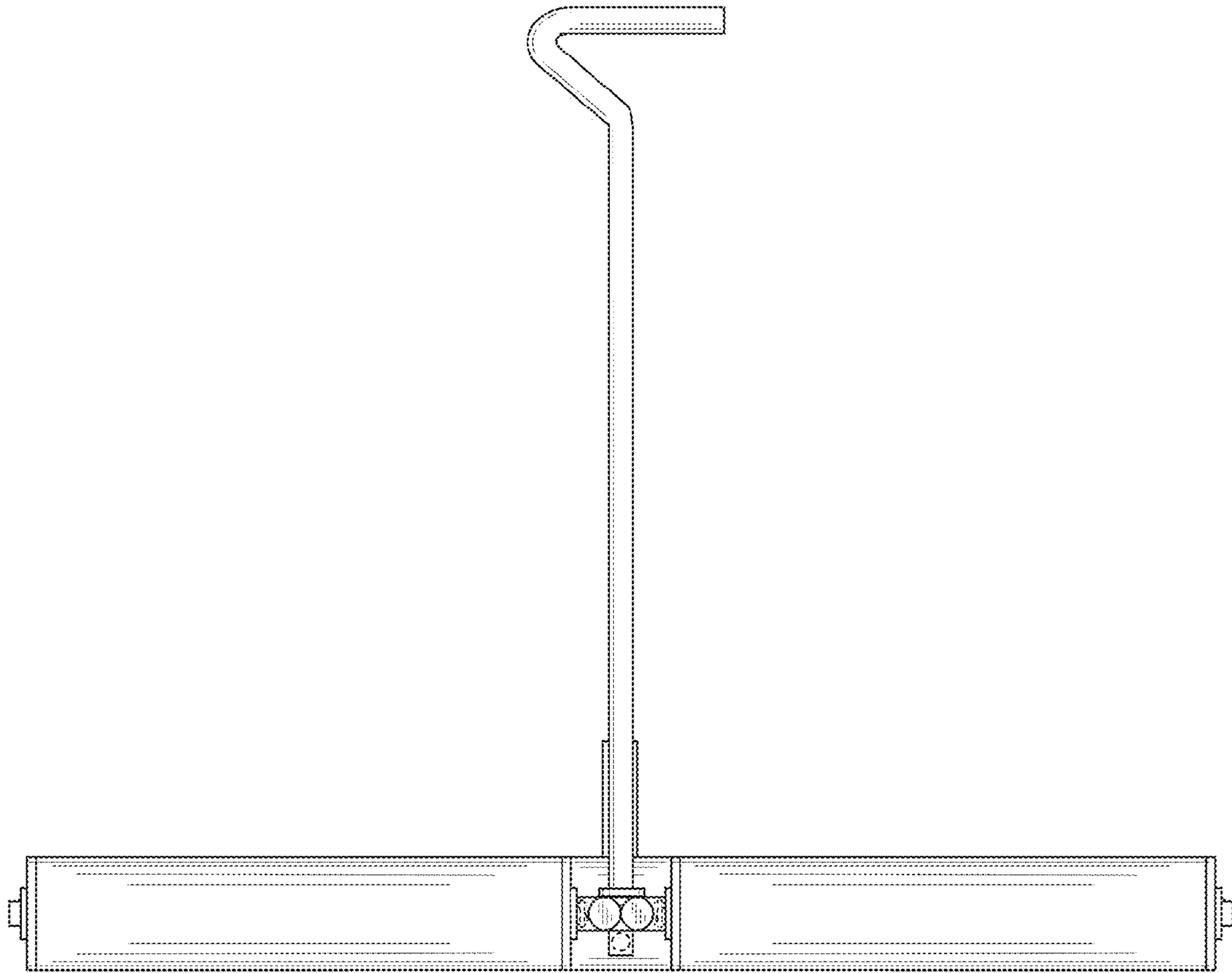


FIG. 10

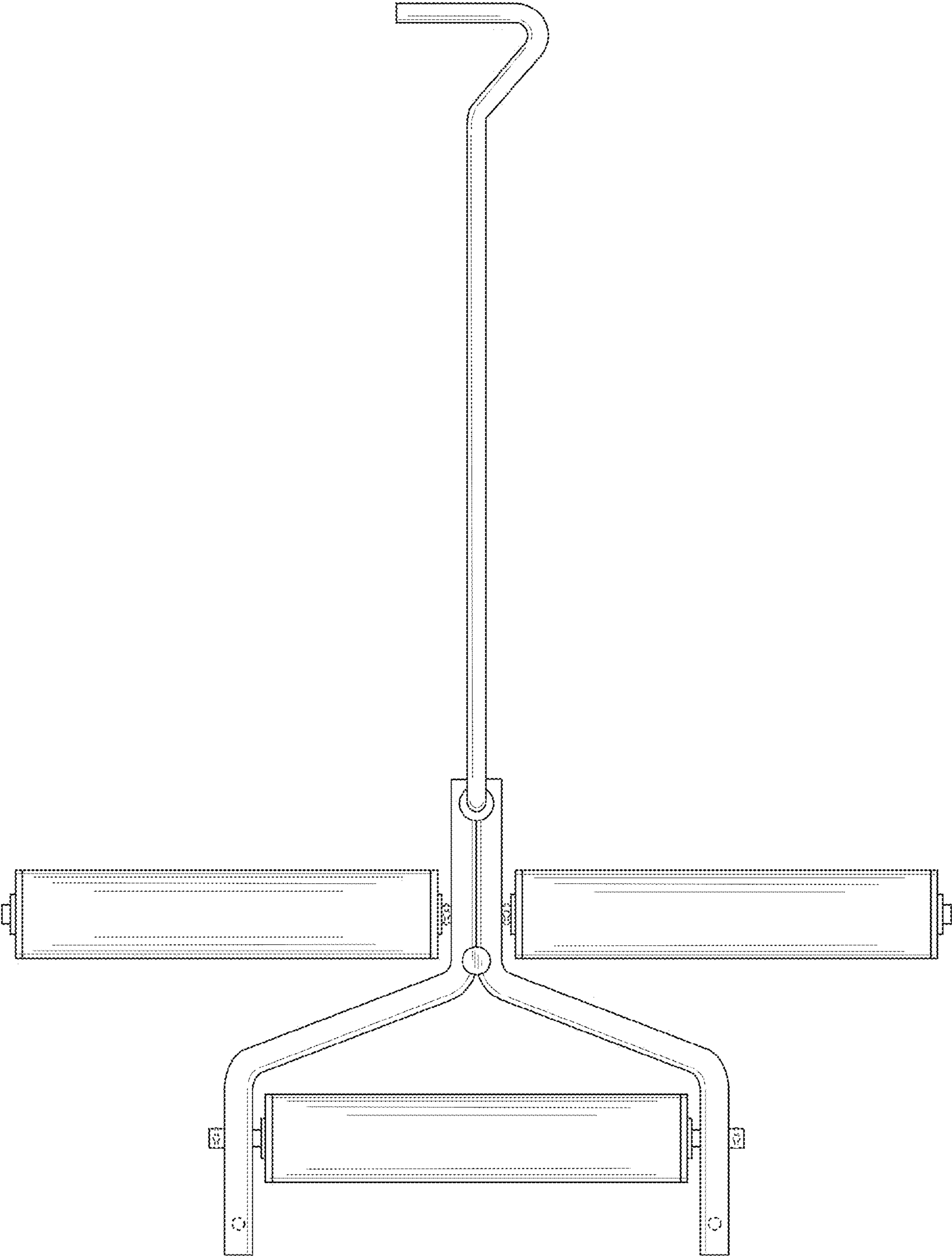


FIG. 11

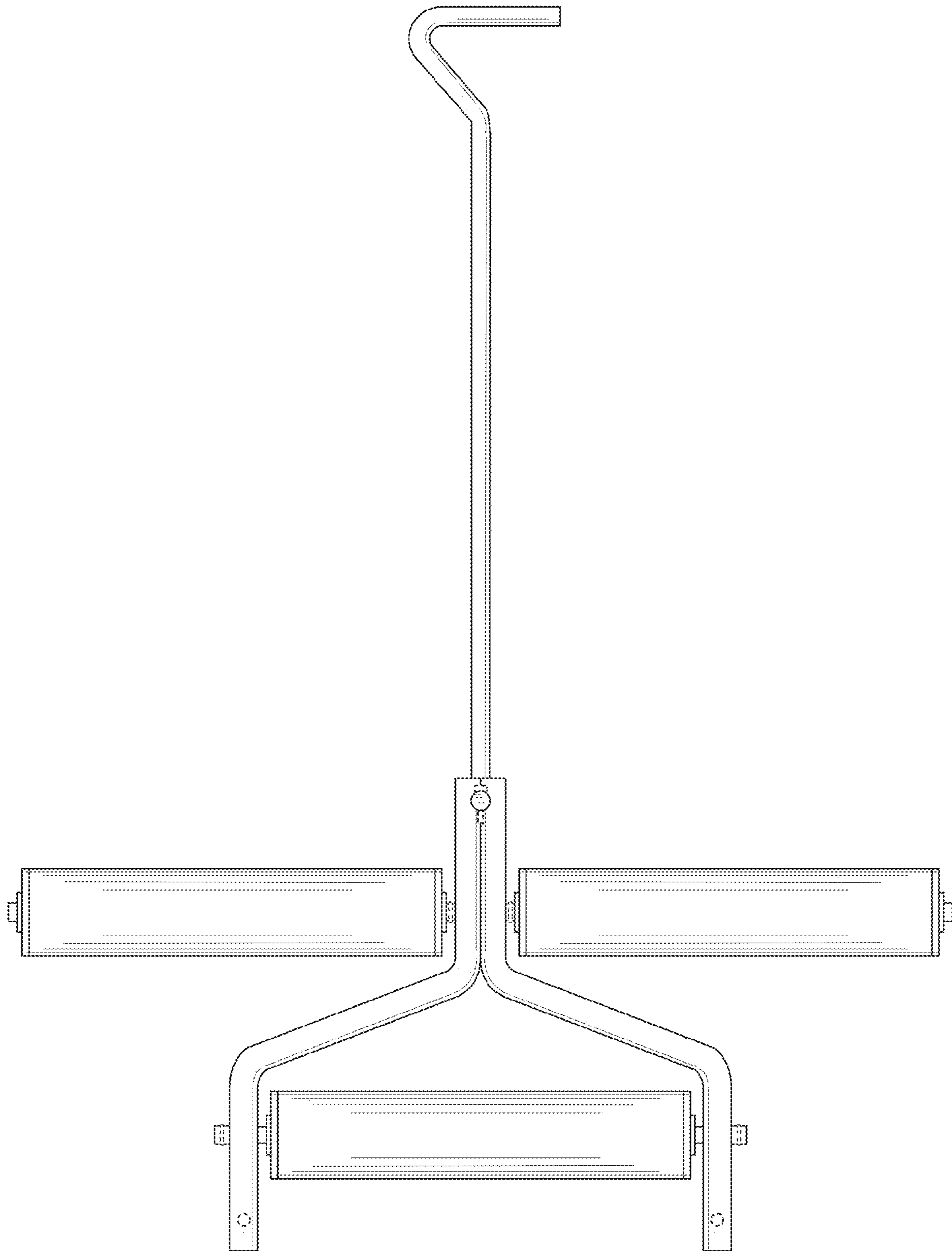


FIG. 12

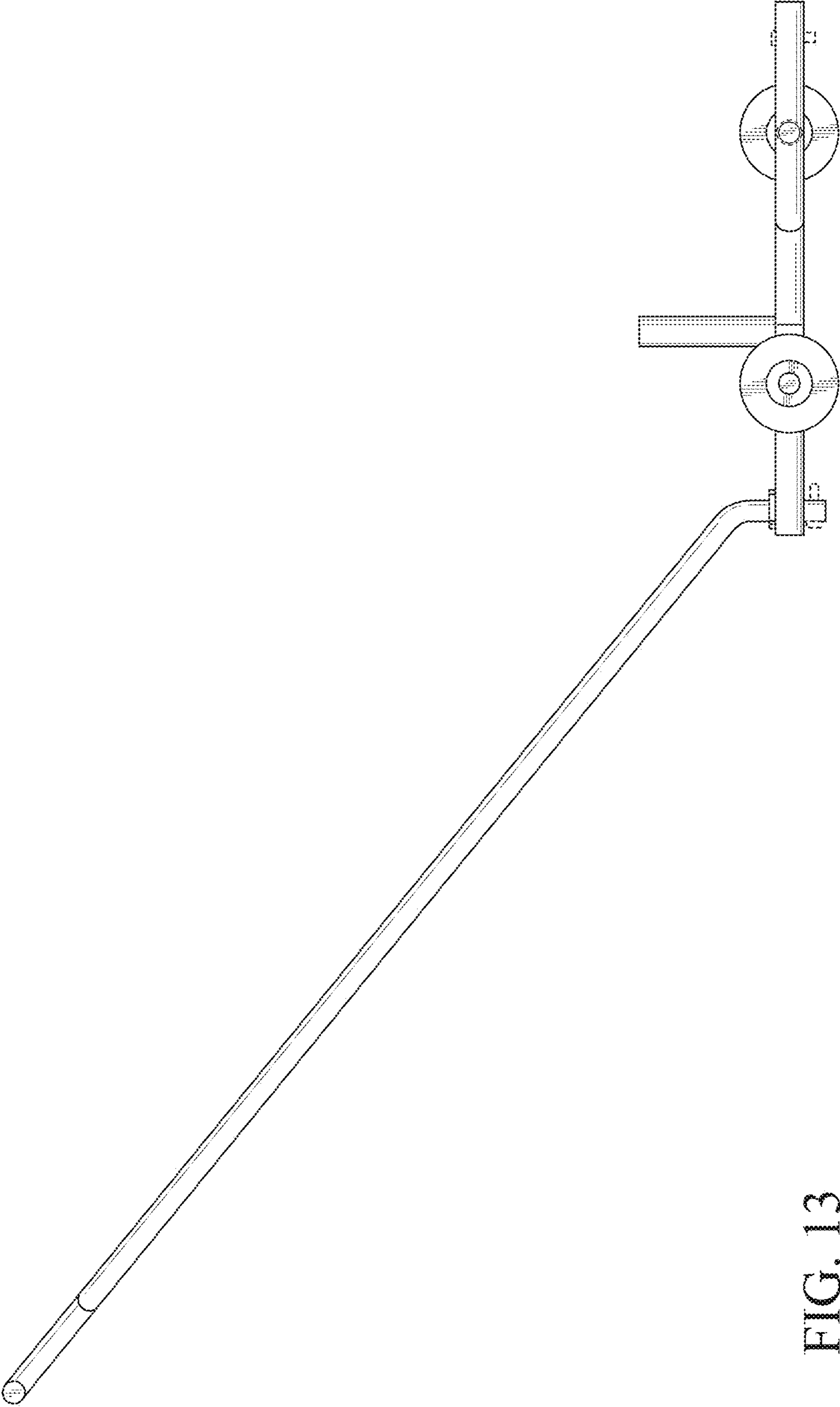


FIG. 13

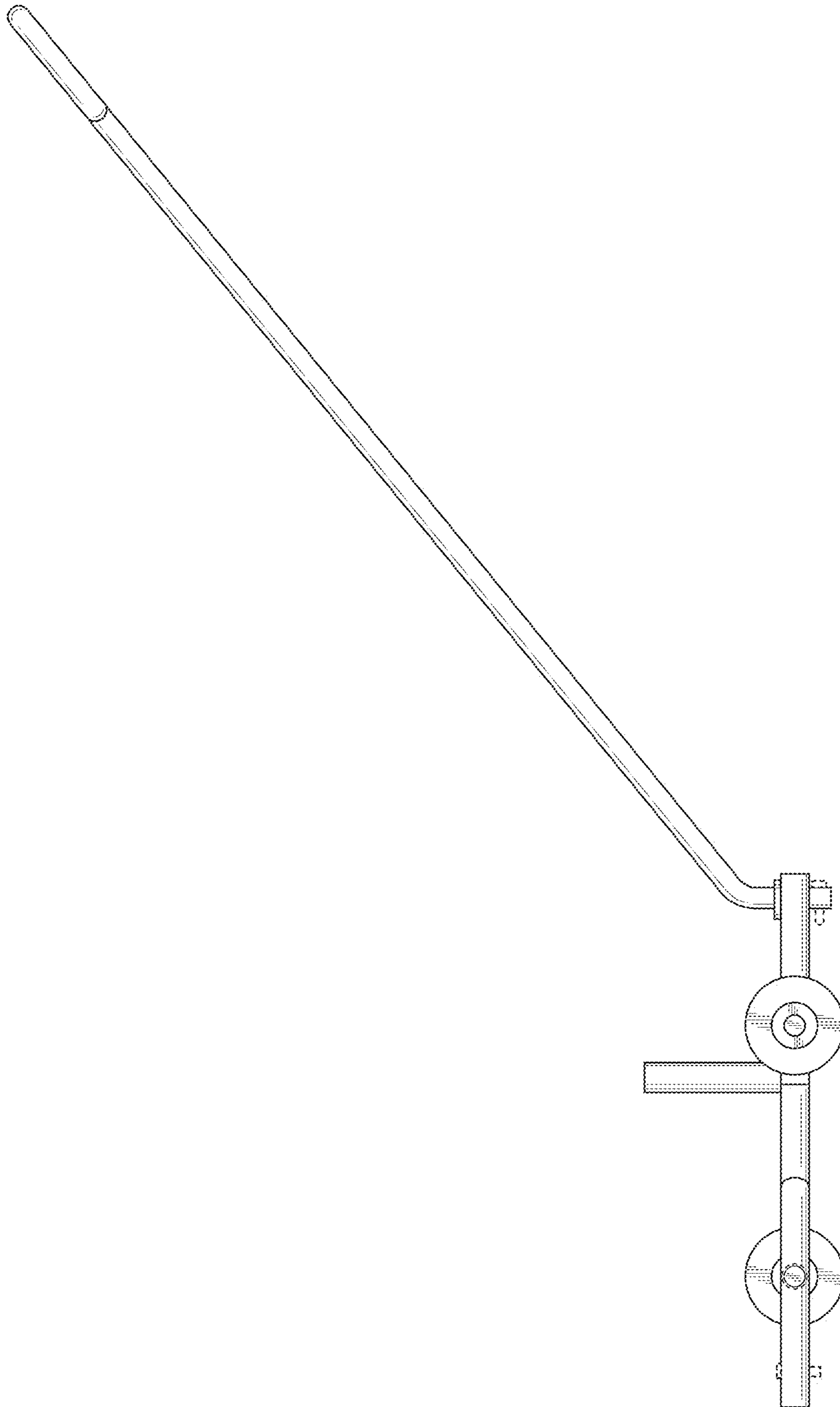


FIG. 14