



US00D878172S

(12) **United States Design Patent**  
**Mehra et al.**

(10) **Patent No.:** **US D878,172 S**  
(45) **Date of Patent:** **\*\* Mar. 17, 2020**

(54) **LEAF CATCHER FOR A TRIMMER**

(71) Applicant: **HUSQVARNA AB**, Huskvarna (SE)

(72) Inventors: **Rajinder Mehra**, Johanneshov (SE);  
**Nilas Pleje**, Hågersten (SE)

(73) Assignee: **HUSQVARNA AB**, Huskvarna (SE)

(\*\*) Term: **15 Years**

(21) Appl. No.: **29/635,647**

(22) Filed: **Feb. 1, 2018**

(30) **Foreign Application Priority Data**

Aug. 4, 2017 (EM) ..... 004134021-0006  
Aug. 4, 2017 (EM) ..... 004134021-0013  
Aug. 4, 2017 (EM) ..... 004134021-0014

(51) **LOC (12) Cl.** ..... **08-03**

(52) **U.S. Cl.**  
USPC ..... **D8/9**

(58) **Field of Classification Search**  
USPC ..... D8/7, 8, 10, 11, 12, 13, 14, 20, 9;  
D15/10, 11, 12, 13, 14; 56/194  
CPC .. A01B 1/246; A01D 34/001; A01D 34/4167;  
A01D 34/73  
See application file for complete search history.

(56) **References Cited**

**U.S. PATENT DOCUMENTS**

1,622,998 A \* 3/1927 Foster ..... A01G 3/06  
D8/7  
D182,385 S \* 3/1958 Schumacher ..... D8/7  
D257,406 S \* 10/1980 Ouellette ..... D8/10  
5,075,972 A \* 12/1991 Huang ..... A01G 3/053  
D8/7  
5,501,068 A \* 3/1996 Martz ..... A01D 34/73  
56/255  
D397,590 S \* 9/1998 Meloni ..... D8/8  
D459,172 S \* 6/2002 Bissell ..... D8/20

D460,329 S \* 7/2002 Waldron ..... D8/9  
6,415,591 B1 \* 7/2002 Tylka, Sr. .... A01D 34/73  
56/255  
D462,882 S \* 9/2002 Evans ..... D8/8  
D463,228 S \* 9/2002 Cooper ..... D8/8  
(Continued)

**FOREIGN PATENT DOCUMENTS**

EP 001870882-0016 A1 5/2011  
EP 001870882-0010 A1 6/2011  
(Continued)

**OTHER PUBLICATIONS**

Husqvarna, "Husqvarna 522HS75S", Jul. 30, 2019. <https://www.husqvarna.com/us/products/hedge-trimmers/522hs75s/967659302/>.  
Shown on p. 1. (Year: 2019).\*  
(Continued)

*Primary Examiner* — Cynthia Ramirez  
*Assistant Examiner* — Michael A Maharajh  
(74) *Attorney, Agent, or Firm* — Burr & Forman LLP

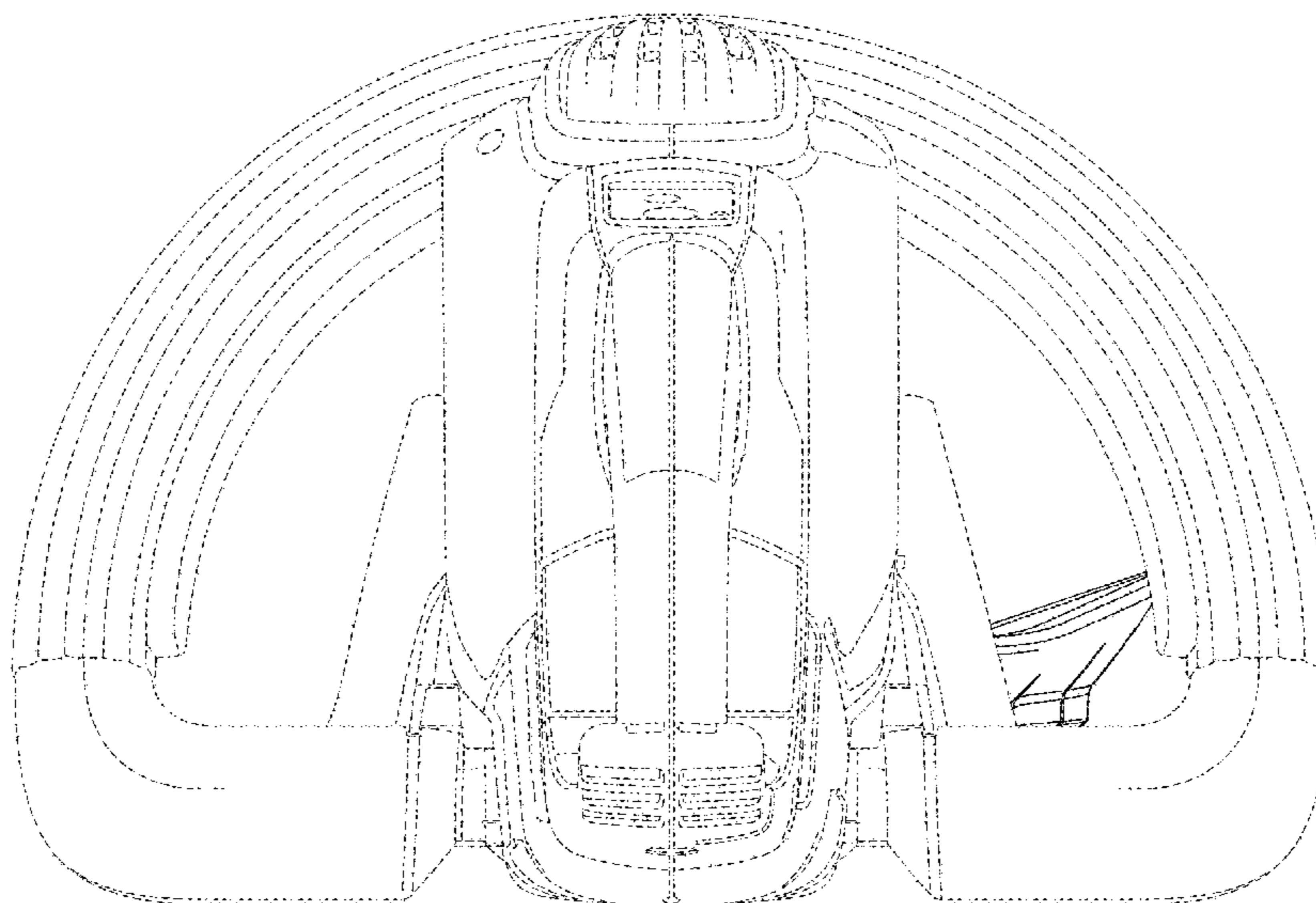
(57) **CLAIM**

The ornamental design for the leaf catcher for a trimmer, as shown and described.

**DESCRIPTION**

FIG. 1 is a rear view of a leaf catcher for a trimmer shown at an enlarged scale, showing our new design;  
FIG. 2 is a bottom view thereof;  
FIG. 3 is a perspective view thereof;  
FIG. 4 is a front view shown at an enlarged scale thereof;  
FIG. 5 is a left side view thereof;  
FIG. 6 is a right side view thereof; and,  
FIG. 7 is a top view thereof.  
The broken lines shown in the figures are for illustrating environmental structure, which form no part of the claimed design.

**1 Claim, 7 Drawing Sheets**



(56)

References Cited

U.S. PATENT DOCUMENTS

D463,229 S \* 9/2002 Gabriel ..... D8/8  
 6,487,840 B1 \* 12/2002 Turner ..... A01D 34/005  
 56/295  
 D468,600 S \* 1/2003 Evans ..... D8/8  
 D505,602 S \* 5/2005 Houghton ..... D8/8  
 D522,818 S \* 6/2006 Andriolo ..... D8/8  
 D547,623 S \* 7/2007 Mooney ..... D8/8  
 D580,238 S \* 11/2008 Murray ..... D8/8  
 D580,239 S \* 11/2008 Murray ..... D8/8  
 D580,240 S \* 11/2008 Murray ..... D8/8  
 D582,225 S \* 12/2008 Bochmann ..... D8/8  
 D582,736 S \* 12/2008 Ghirardi ..... D8/9  
 D623,487 S \* 9/2010 Tinius ..... D8/8  
 D623,909 S \* 9/2010 Tate ..... D8/8  
 D624,371 S \* 9/2010 Tinius ..... D8/8  
 D649,845 S \* 12/2011 Yamamoto ..... D8/9  
 D650,643 S \* 12/2011 Aoki ..... D8/8  
 D657,211 S \* 4/2012 Kosugi ..... D8/8  
 D661,557 S \* 6/2012 Sweeney ..... D8/8  
 D675,072 S \* 1/2013 Stratford ..... D8/8  
 D720,193 S \* 12/2014 Luedtke ..... D8/8  
 D721,551 S \* 1/2015 Carl ..... D8/8  
 D761,067 S \* 7/2016 Mueller ..... D8/8  
 9,460,869 B2 \* 10/2016 Valfridsson ..... H01H 9/06

D786,030 S \* 5/2017 Busschaert ..... D8/8  
 10,105,832 B2 \* 10/2018 Martinsson ..... A01G 3/053  
 10,117,380 B1 \* 11/2018 Kaukler ..... A01D 34/826  
 D854,387 S \* 7/2019 Dretzka ..... D8/8

FOREIGN PATENT DOCUMENTS

JP 1386580 S 4/2010  
 JP 1442499 S 4/2012  
 JP 1442500 S 4/2012  
 JP 1442816 S 4/2012  
 JP 1482456 S 10/2013  
 JP 1621116 S 12/2018

OTHER PUBLICATIONS

Shindaiwa Industry Co., Ltd, once appeared on the website, HT2200S-600, retrieved from Internet URL: <http://www.shindaiwa.co.jp/product/trimmer/ht2200s/index.html>, pp. 4.  
 Shindaiwa Industry Co., Ltd, once appeared on the website, HT2200S-600B, retrieved from Internet URL: <http://www.shindaiwa.co.jp/product/trimmer/ht2200s/index.html>, pp. 4.  
 Shindaiwa Industry Co., Ltd, once appeared on the website, HT2200S-750, retrieved from Internet URL: <http://www.shindaiwa.co.jp/product/trimmer/ht2200s/index.html>, pp. 4.

\* cited by examiner

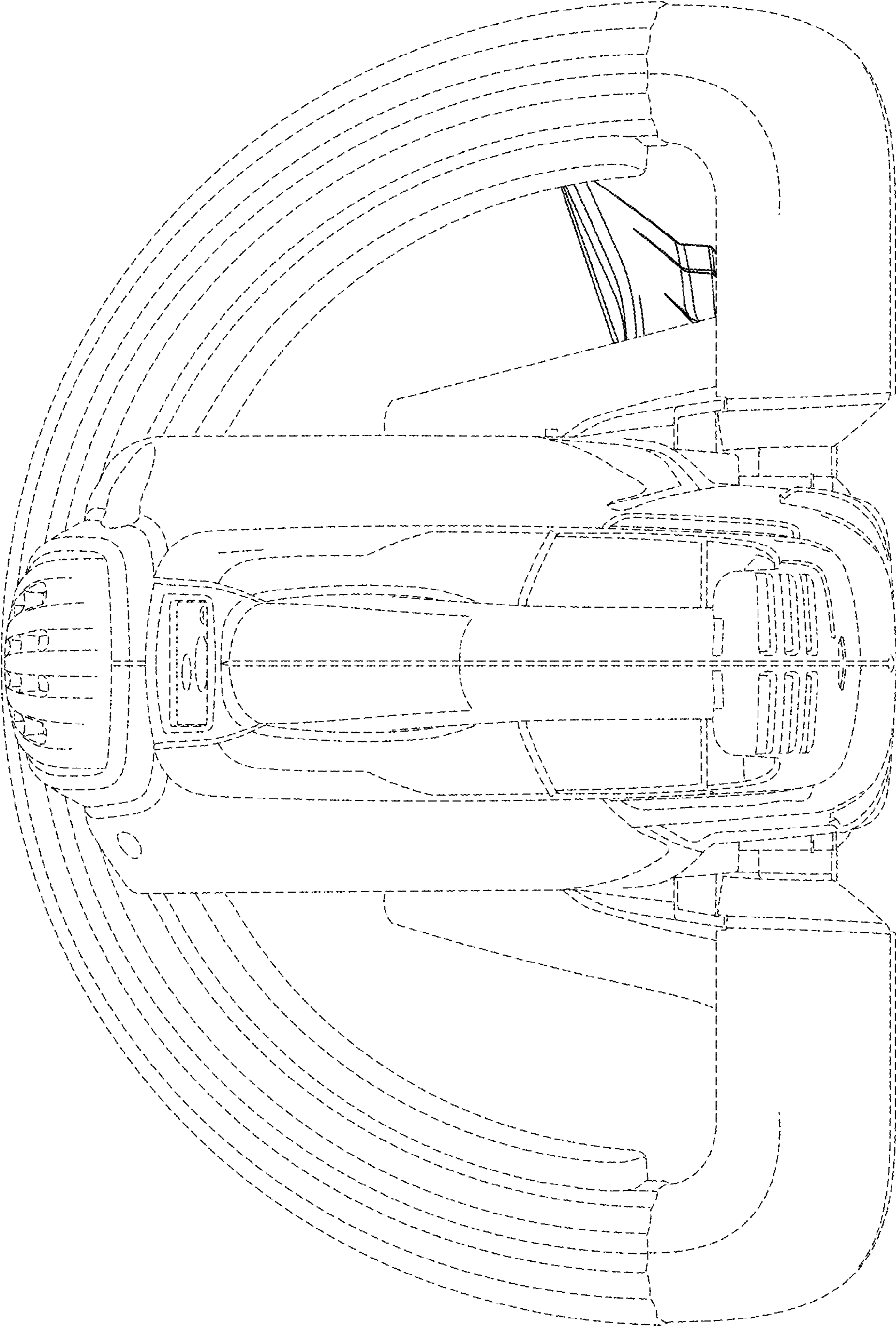


FIG. 1

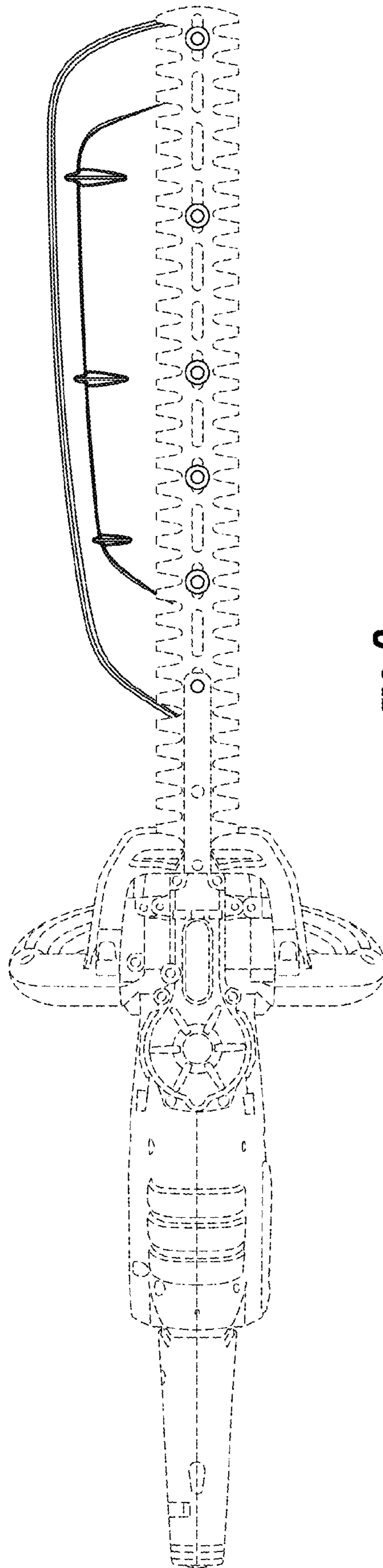


FIG. 2

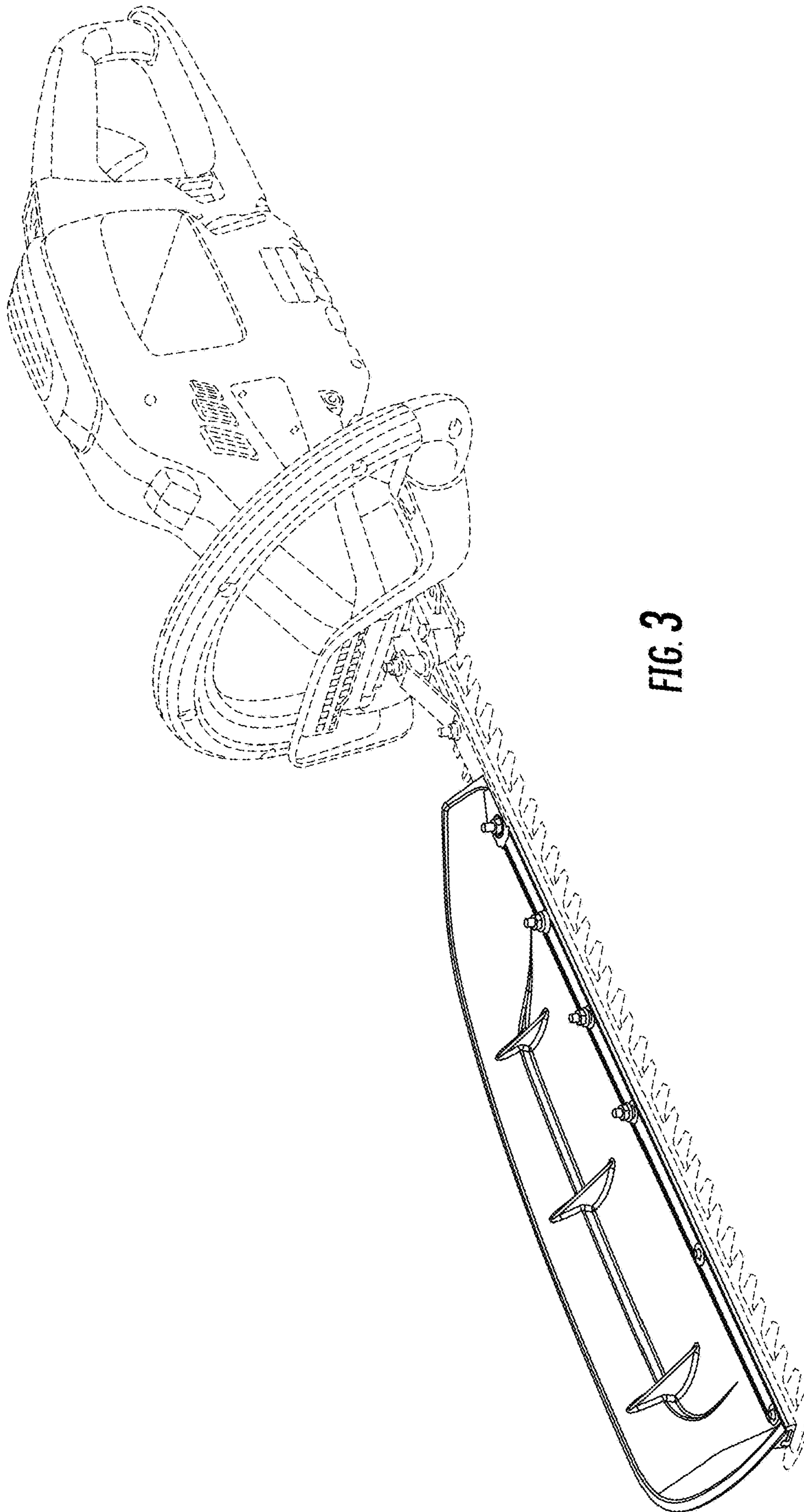


FIG. 3

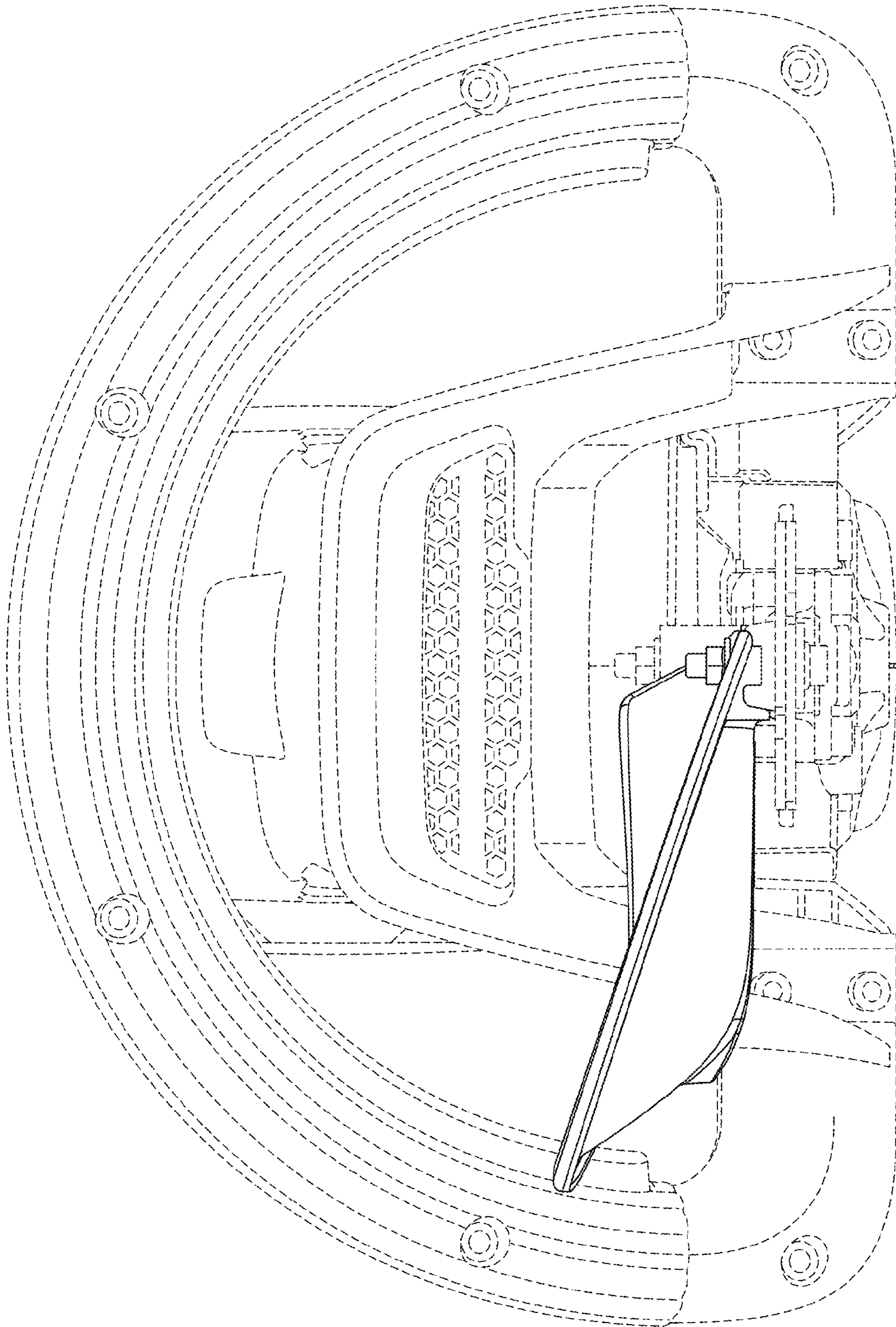


FIG. 4

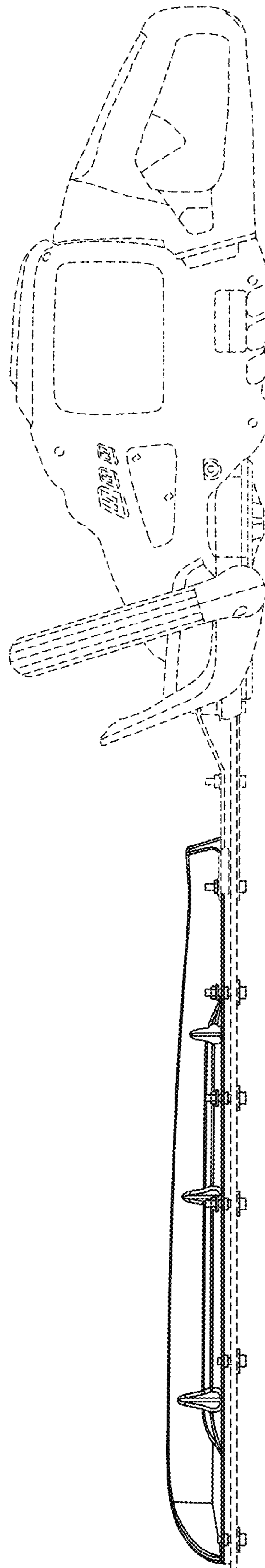


FIG. 5

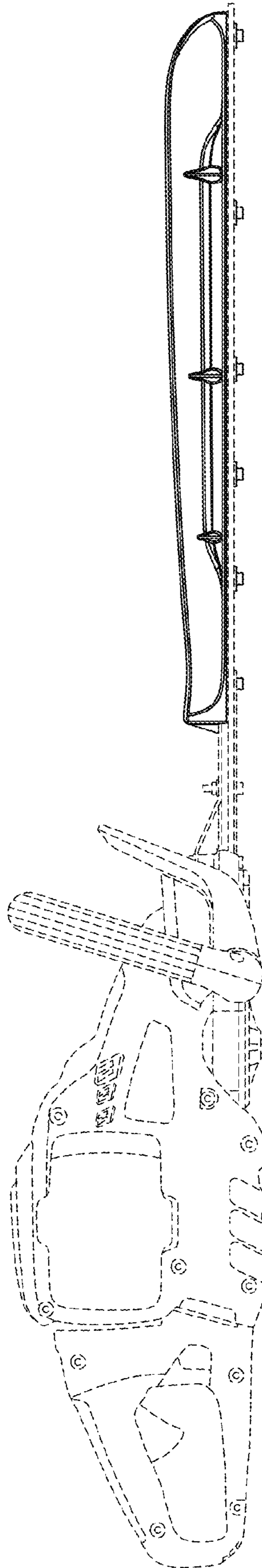


FIG. 6



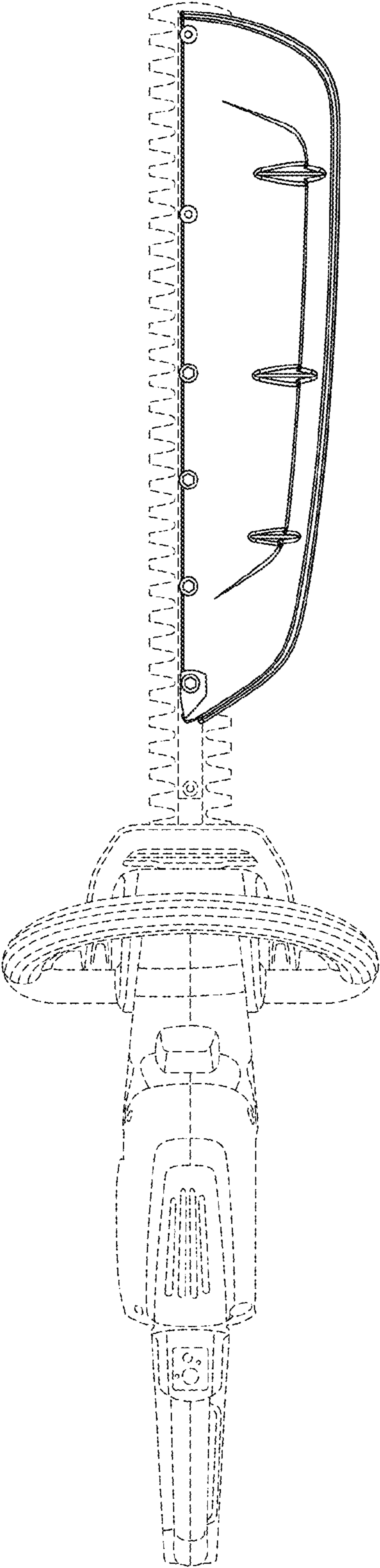


FIG. 7