



US00D878170S

(12) **United States Design Patent**  
**Hua**

(10) **Patent No.:** **US D878,170 S**  
(45) **Date of Patent:** **\*\* Mar. 17, 2020**

(54) **PASTA CUTTER**

(71) Applicant: **KONINKLIJKE PHILIPS N.V.**,  
Eindhoven (NL)  
(72) Inventor: **Hao Hua**, Eindhoven (NL)  
(73) Assignee: **KONINKLIJKE PHILIPS N.V.**,  
Eindhoven (NL)

(\*\*) Term: **15 Years**

(21) Appl. No.: **29/668,391**

(22) Filed: **Oct. 30, 2018**

(30) **Foreign Application Priority Data**

May 4, 2018 (EM) ..... 005257151-0001

(51) **LOC (12) Cl.** ..... **07-06**

(52) **U.S. Cl.**  
USPC ..... **D7/693; D7/688**

(58) **Field of Classification Search**  
USPC ..... D7/680–696, 368, 669; D8/14, 45, 47,  
D8/88, 89; D32/46–49  
CPC ..... A63F 3/068; A47L 13/02; A47L 13/08;  
A47L 13/022; A47L 1/16; A47L 1/06;  
E04F 21/61; B44D 3/162; A47J 43/283

See application file for complete search history.

(56) **References Cited**

U.S. PATENT DOCUMENTS

D265,506 S \* 7/1982 Finamore ..... D24/147  
D303,478 S \* 9/1989 Wert ..... D7/693  
D478,699 S \* 8/2003 Henriksson ..... D32/49  
D549,413 S \* 8/2007 Froeschl ..... D32/49  
D604,919 S \* 11/2009 Meyer ..... D32/41  
7,827,696 B2 \* 11/2010 Settele ..... A47J 17/02  
30/121.5

\* cited by examiner

*Primary Examiner* — Terry A Wallace

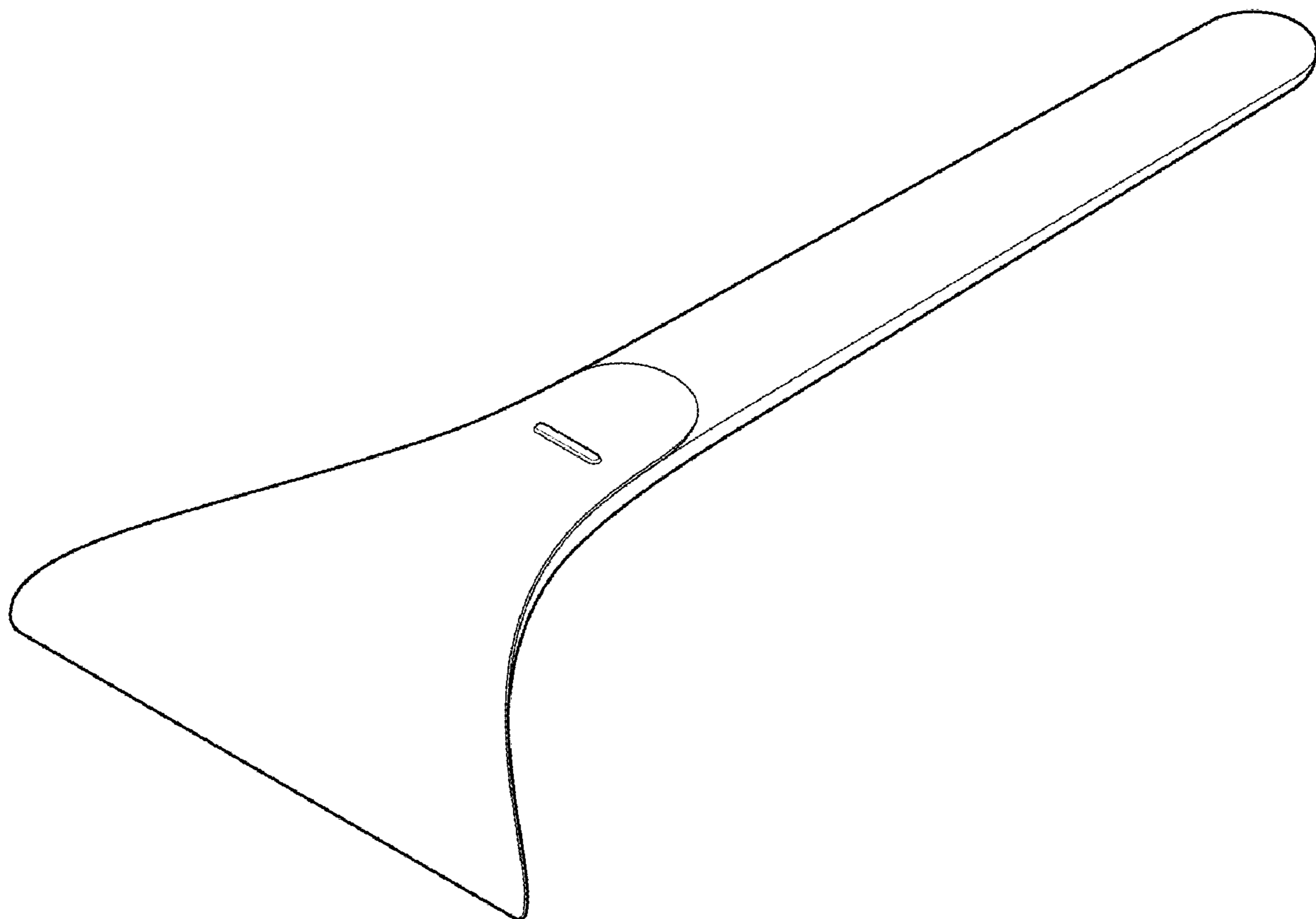
(57) **CLAIM**

The ornamental design for a pasta cutter, as shown.

**DESCRIPTION**

FIG. 1 is a perspective view showing my design;  
FIG. 2 is a front elevational view thereof;  
FIG. 3 is a rear elevational view thereof;  
FIG. 4 is a right side elevational view thereof;  
FIG. 5 is a left side elevational view thereof;  
FIG. 6 is a top plan view thereof; and,  
FIG. 7 is a bottom plan view thereof.

**1 Claim, 5 Drawing Sheets**



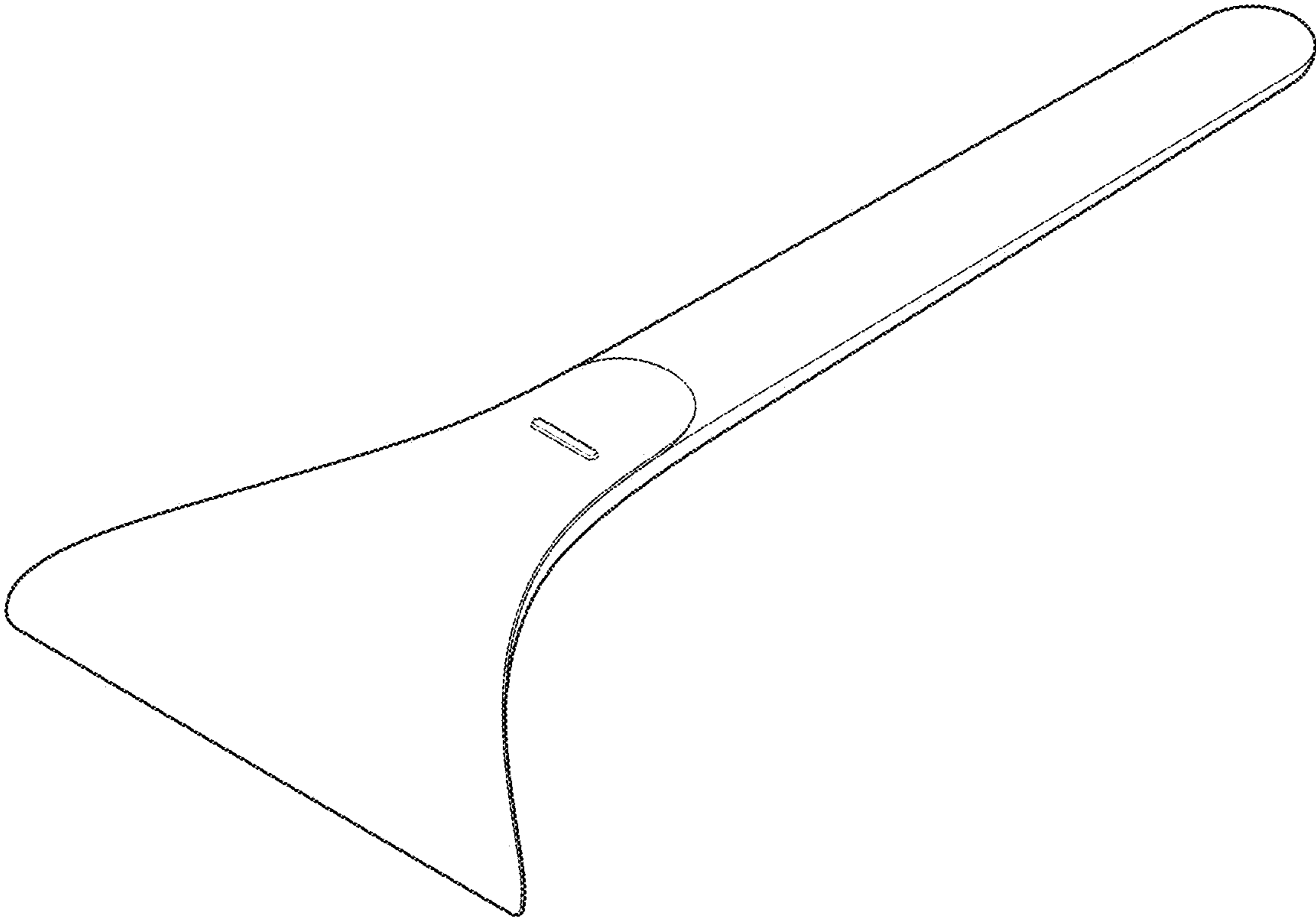


FIG. 1



FIG. 2

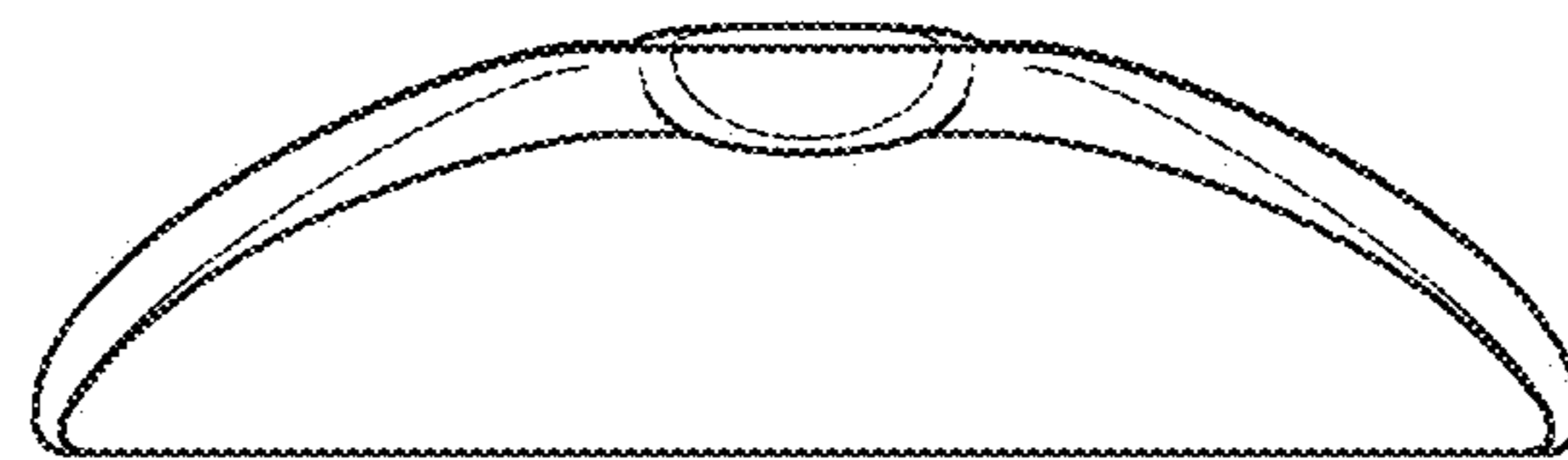


FIG. 3

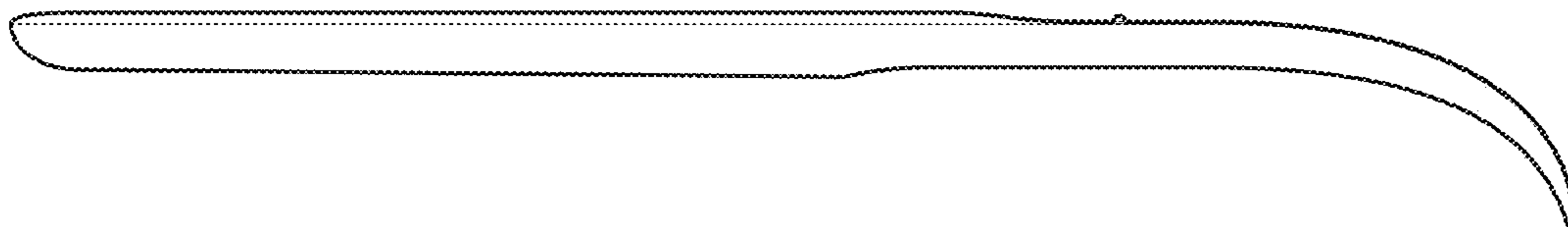


FIG. 4

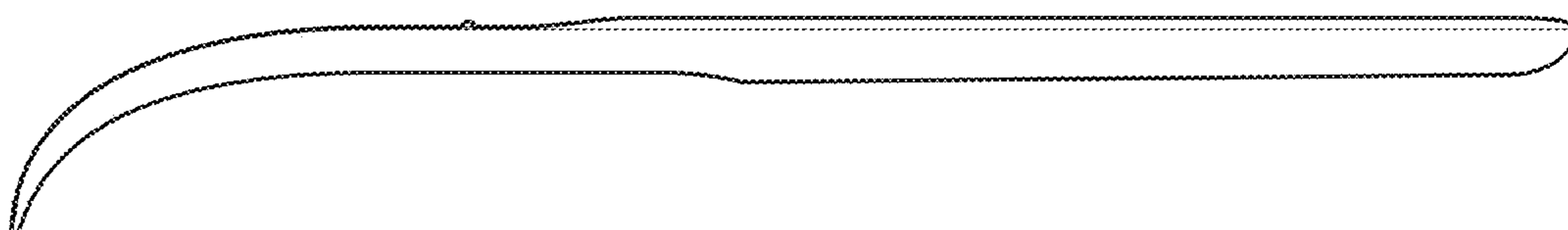


FIG. 5

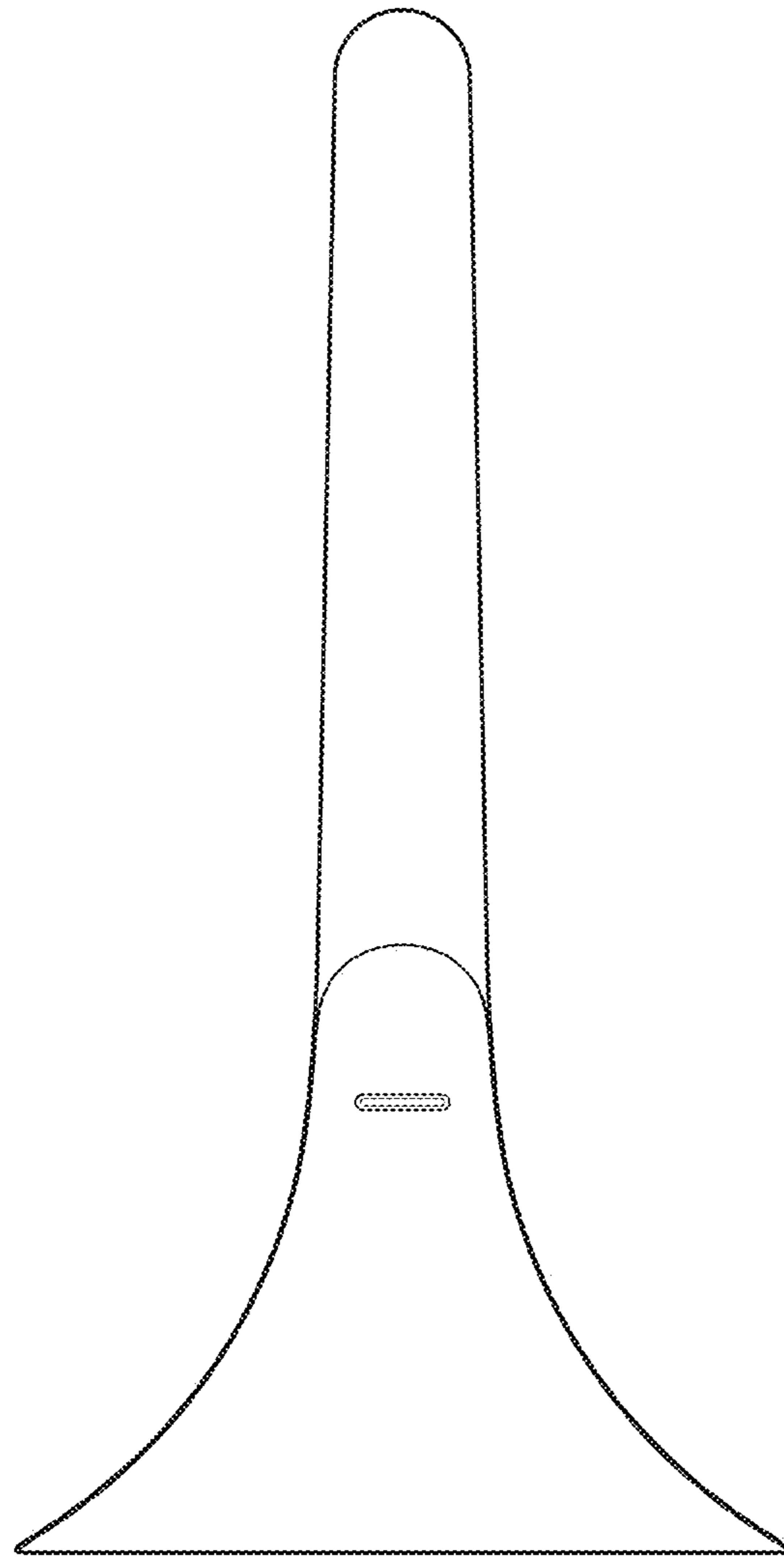


FIG. 6

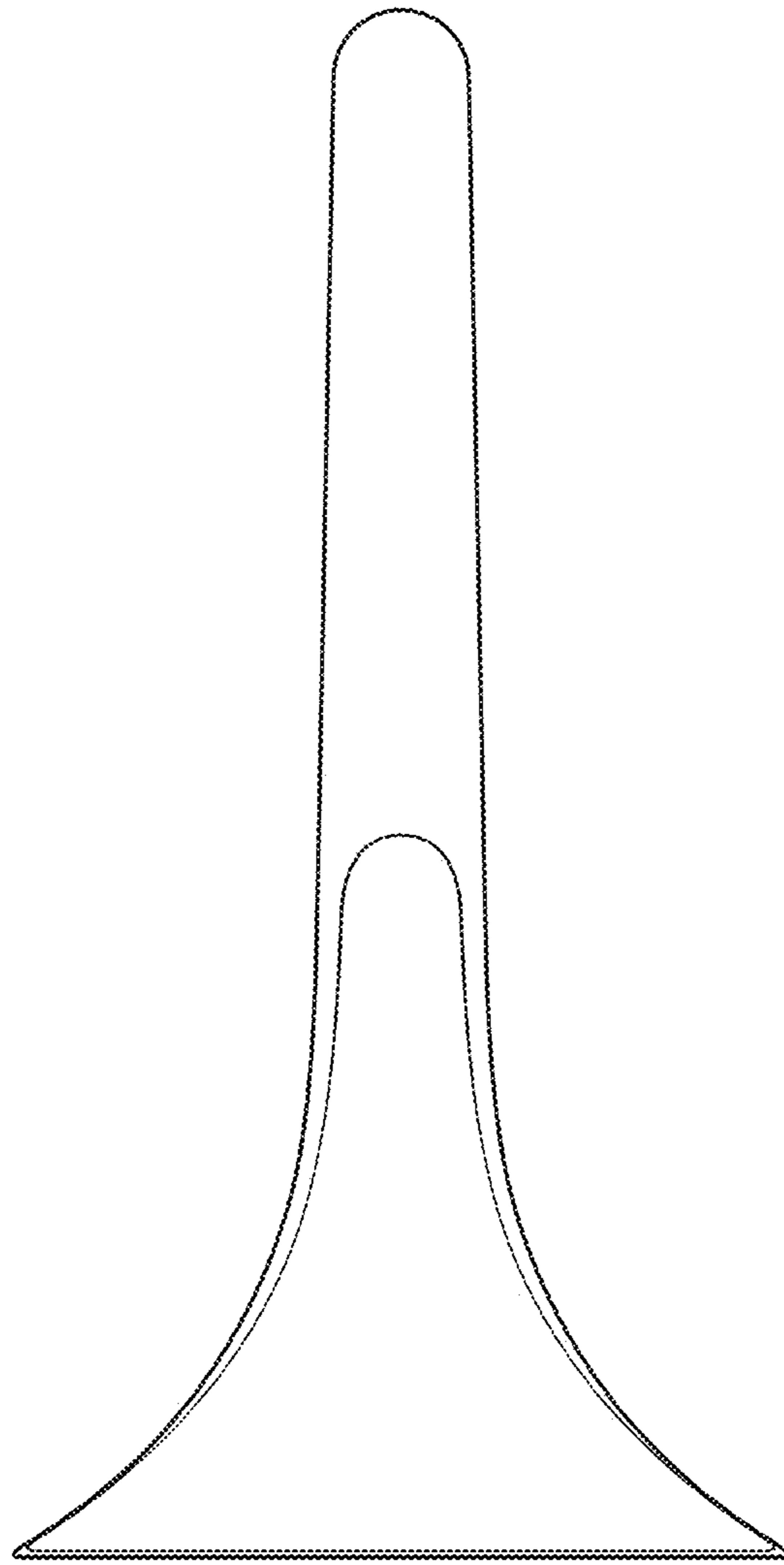


FIG. 7