



US00D878169S

(12) **United States Design Patent** (10) **Patent No.:** **US D878,169 S**
Bacher et al. (45) **Date of Patent:** **** Mar. 17, 2020**

(54) **BREAD LAME**

FOREIGN PATENT DOCUMENTS

(71) Applicant: **MASONTOPS, INC.**, Toronto (CA)

FR 2868914 A1 10/2005
FR 2884387 A1 10/2006

(72) Inventors: **Michael Bacher**, Toronto (CA); **Philip Baron**, Toronto (CA); **Brett Molnar**, Toronto (CA)

OTHER PUBLICATIONS

(73) Assignee: **MASONTOPS, INC.**, Toronto, Ontario (CA)

Int'l Search Report and Written Opinion Appln No. PCT/IB2018/000846 dated Nov. 29, 2018.

(**) Term: **15 Years**

Primary Examiner — Terry A Wallace

(21) Appl. No.: **29/661,653**

(74) *Attorney, Agent, or Firm* — McAndrews, Held & Malloy, Ltd.

(22) Filed: **Aug. 29, 2018**

(57) **CLAIM**

The ornamental design for a bread lame, as shown and described.

Related U.S. Application Data

DESCRIPTION

(63) Continuation of application No. 16/027,868, filed on Jul. 5, 2018.

(51) **LOC (12) Cl.** **07-06**

(52) **U.S. Cl.**
USPC **D7/693**; D8/99

(58) **Field of Classification Search**
USPC D7/680–696, 368, 669, 644, 649–652;
D8/98, 99, 104, 105
CPC A21C 11/12; B26B 3/00; B26B 5/001;
B26B 5/00; B26B 5/006; B26B 5/007;
B26B 29/025; B26B 3/04; B26B 1/00;
B26B 11/00

See application file for complete search history.

FIG. 1 is a top perspective view of a bread lame showing our new design without blade covers;
FIG. 2 is a right side elevation view thereof;
FIG. 3 is a left side elevation view thereof;
FIG. 4 is a front elevation view thereof;
FIG. 5 is a rear elevation view thereof;
FIG. 6 is a top plan view thereof;
FIG. 7 is a bottom plan view thereof; and
FIG. 8 is a top perspective exploded view thereof.
FIG. 9 is a top perspective view thereof showing our new design with blade covers;
FIG. 10 is a right side elevation view thereof;
FIG. 11 is a left side elevation view thereof;
FIG. 12 is a front elevation view thereof;
FIG. 13 is a rear elevation view thereof;
FIG. 14 is a top plan view thereof; and
FIG. 15 is a bottom plan view thereof; and,
FIG. 16 is a top perspective view thereof showing our new design with blade covers.

The broken lines in the drawings illustrate portions of the bread lame that form no part of the claimed design.

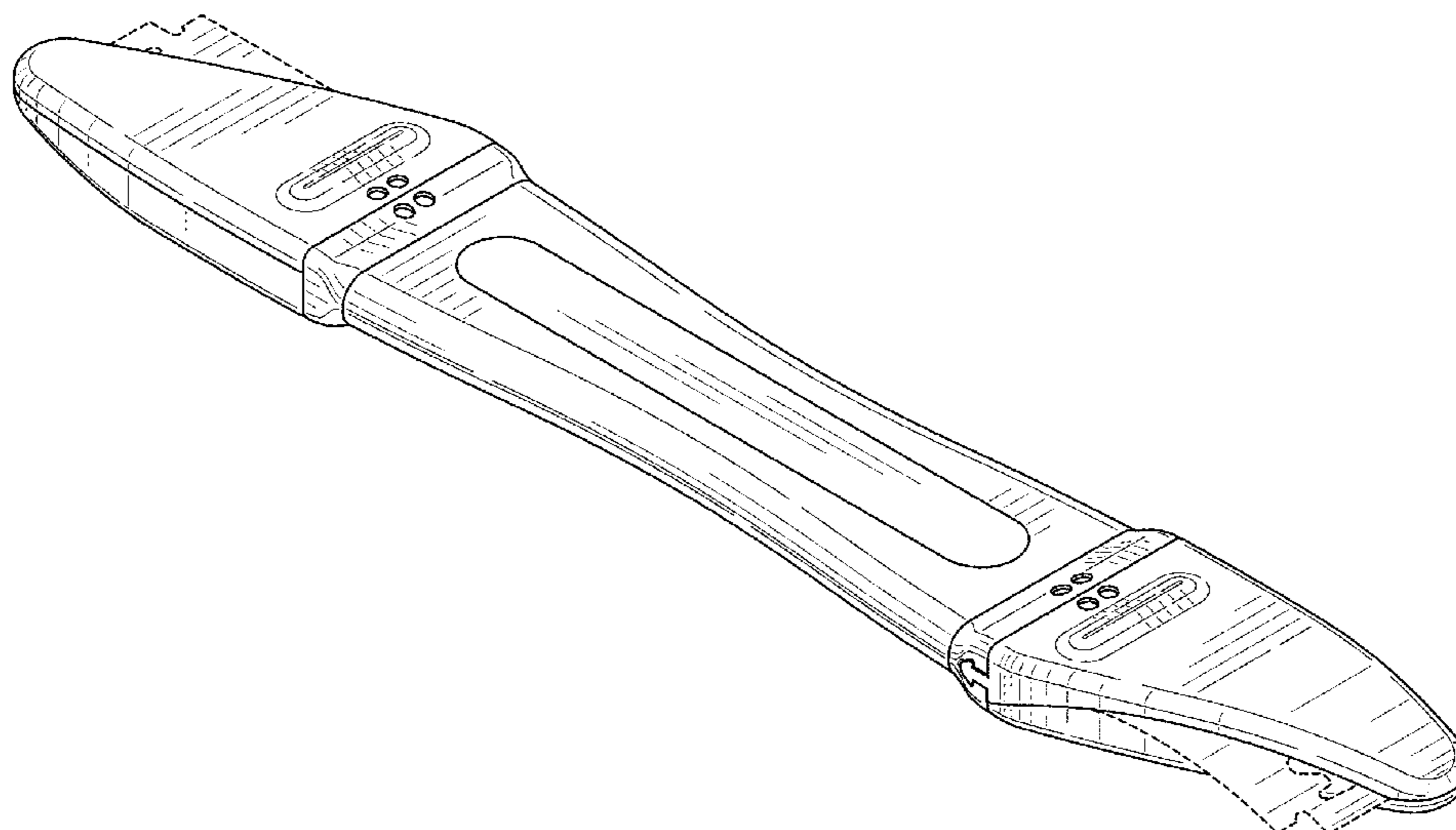
(56) **References Cited**

U.S. PATENT DOCUMENTS

D256,317 S * 8/1980 Marquart, Sr. D7/693
5,697,157 A 12/1997 Votolato
5,924,203 A * 7/1999 Huang B26B 5/003
30/123
D428,312 S * 7/2000 O'Brien D7/693
6,487,948 B1 12/2002 Alfi
D681,405 S * 5/2013 Bagley D7/693

(Continued)

1 Claim, 8 Drawing Sheets



(56)

References Cited

U.S. PATENT DOCUMENTS

D746,657 S *	1/2016	Glesser	D8/99
2012/0227267 A1 *	9/2012	Qiu	B26B 1/044 30/152

* cited by examiner

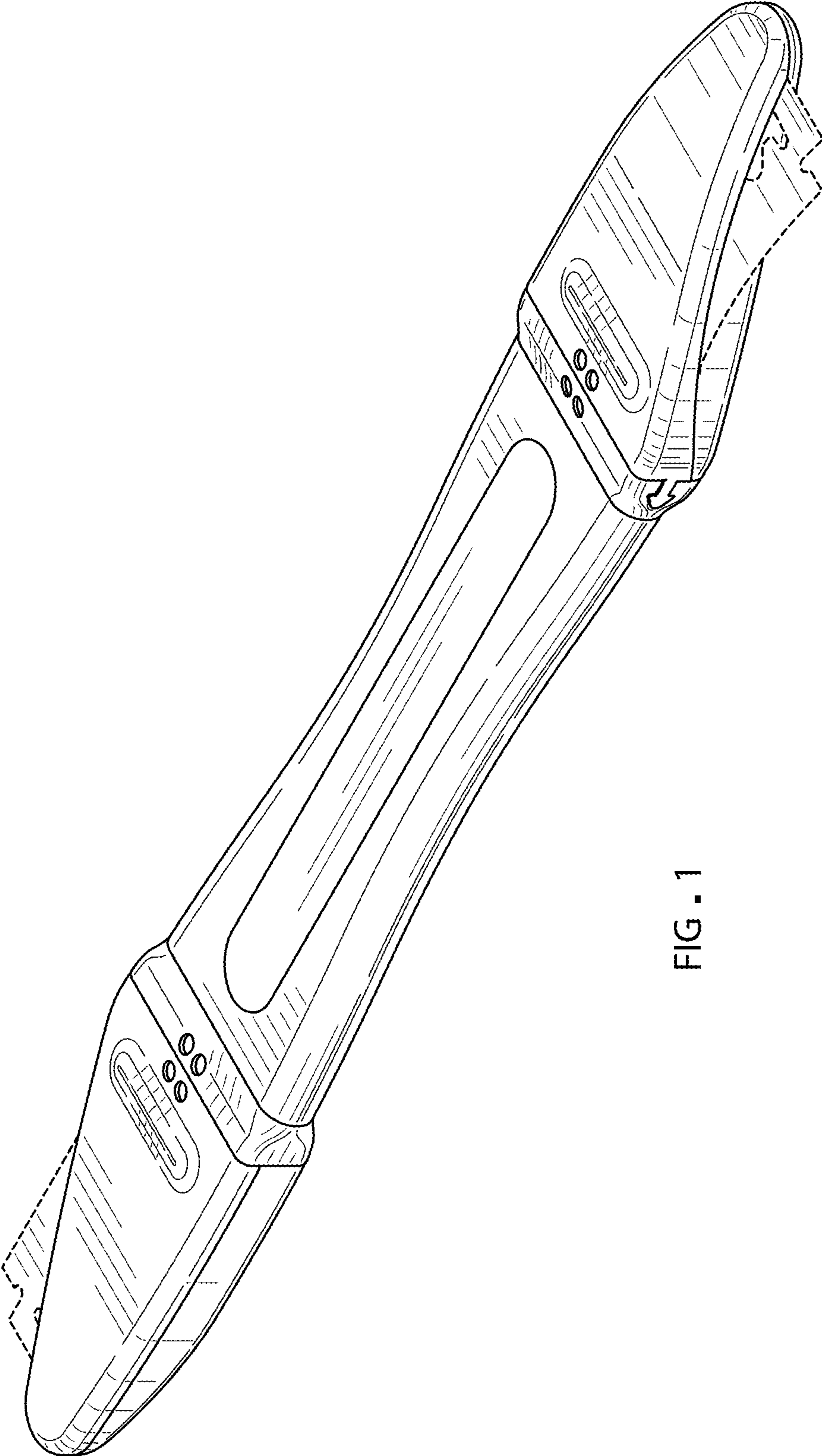


FIG. 1

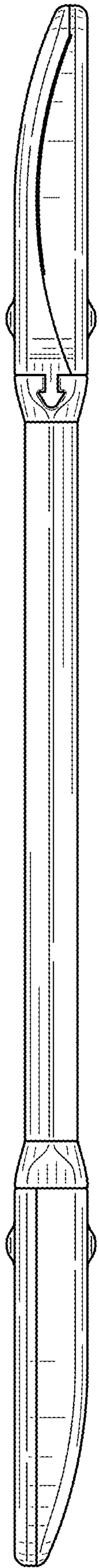


FIG. 2

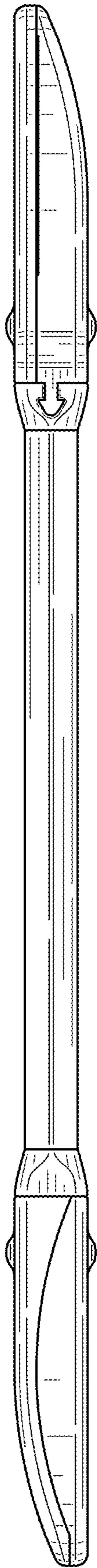


FIG. 3

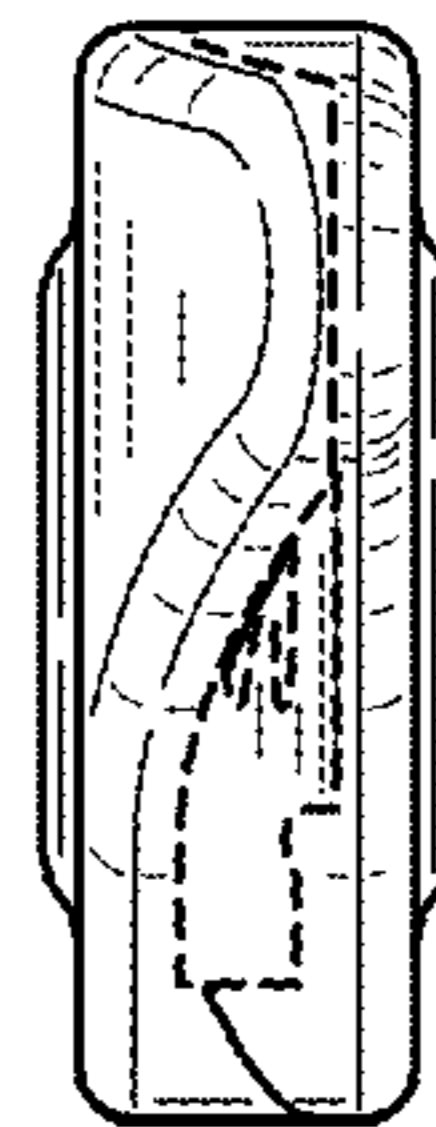


FIG. 4

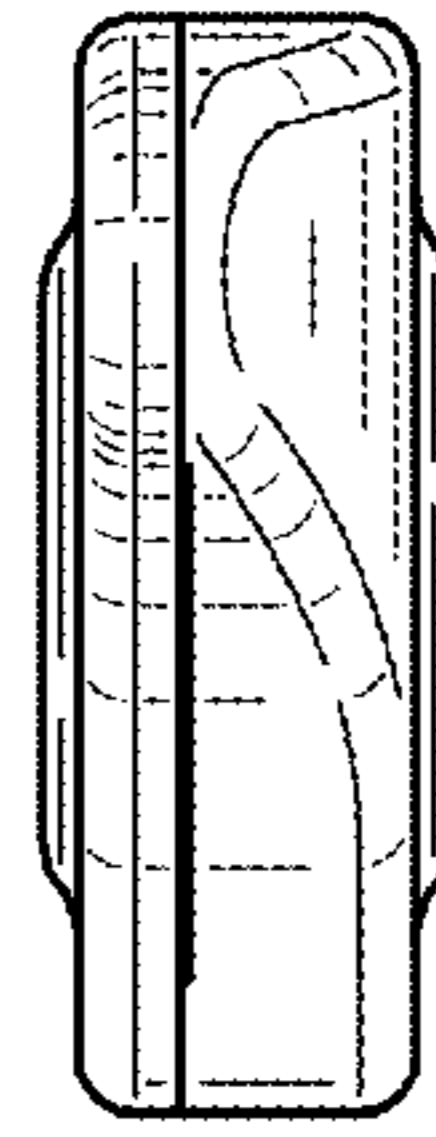


FIG. 5

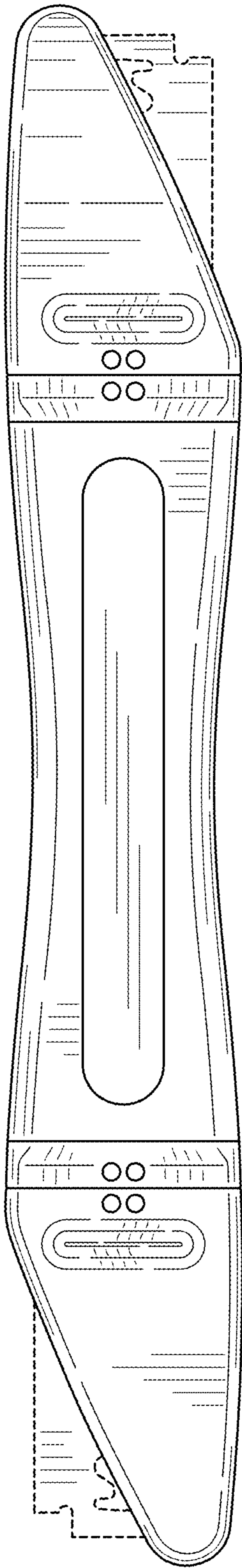


FIG. 6

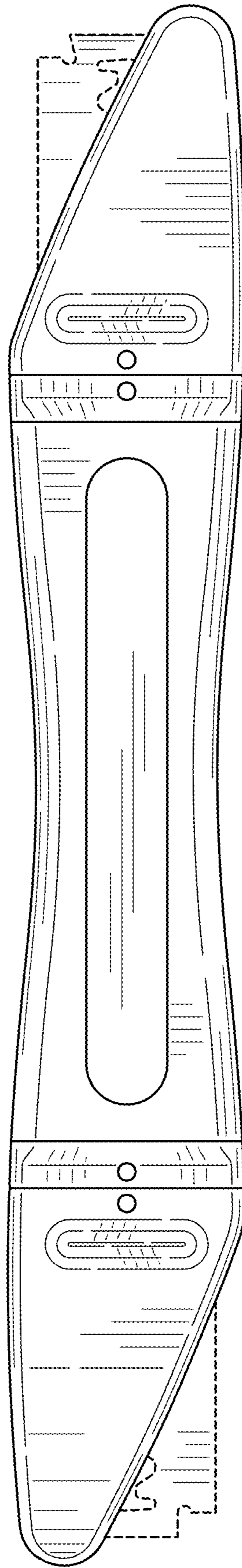


FIG. 7

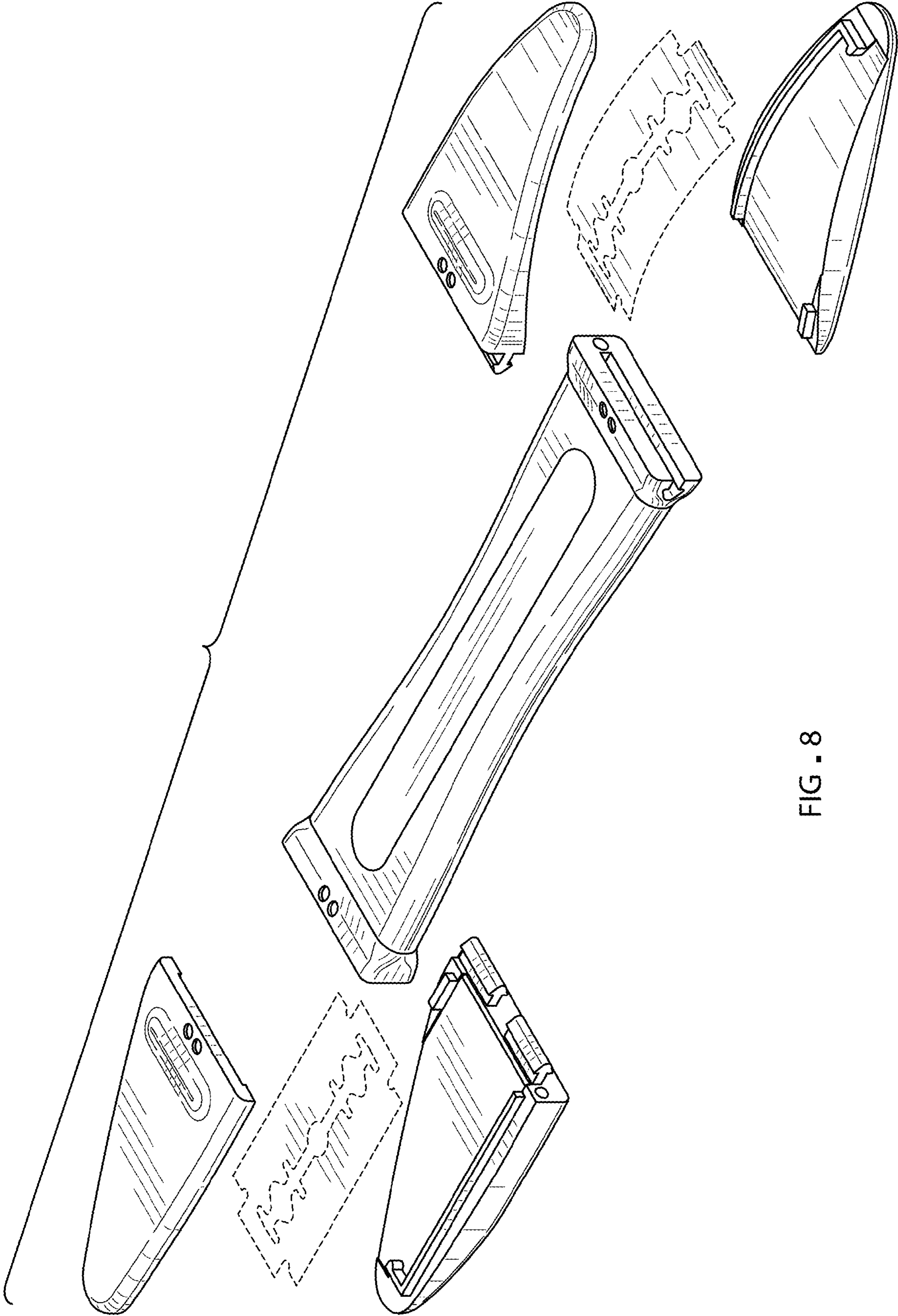


FIG - 8

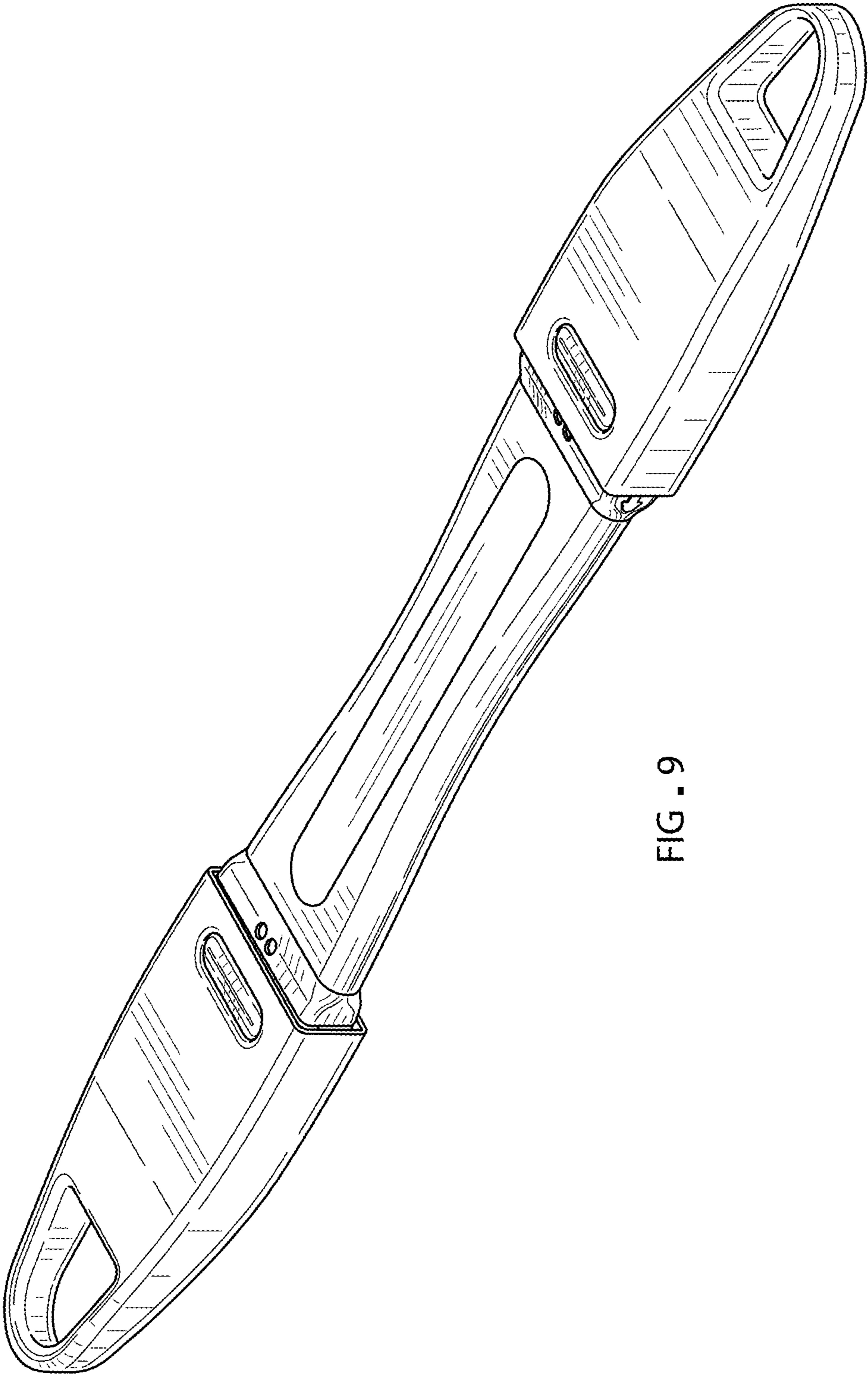


FIG. 9

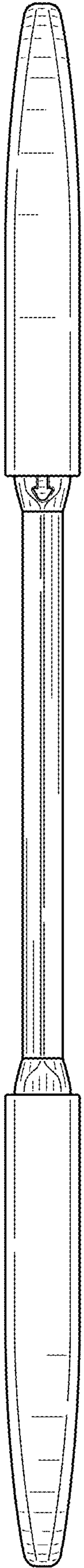


FIG. 10

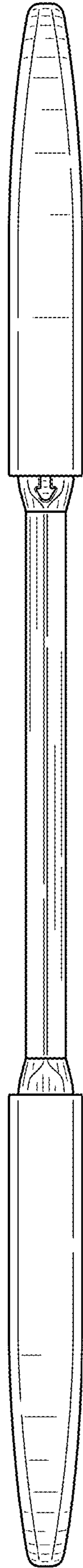


FIG. 11

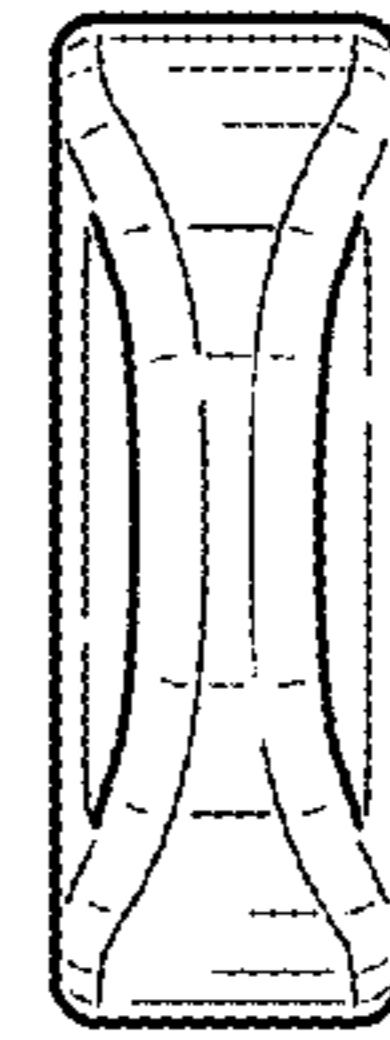


FIG. 13

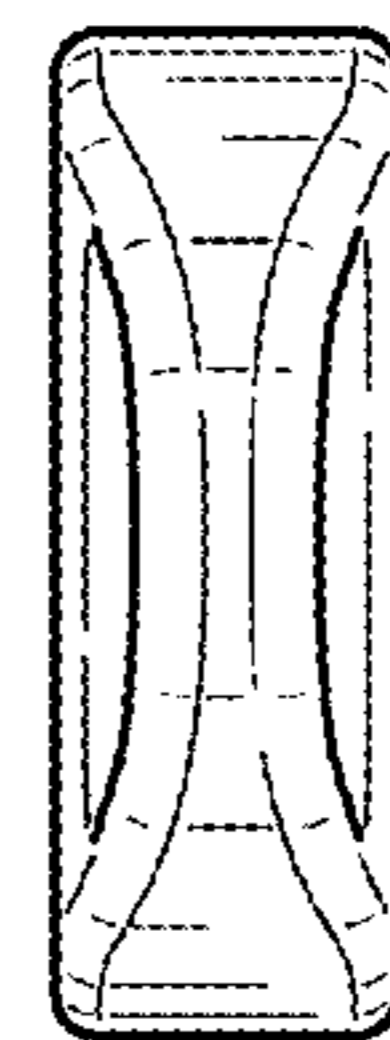


FIG. 12

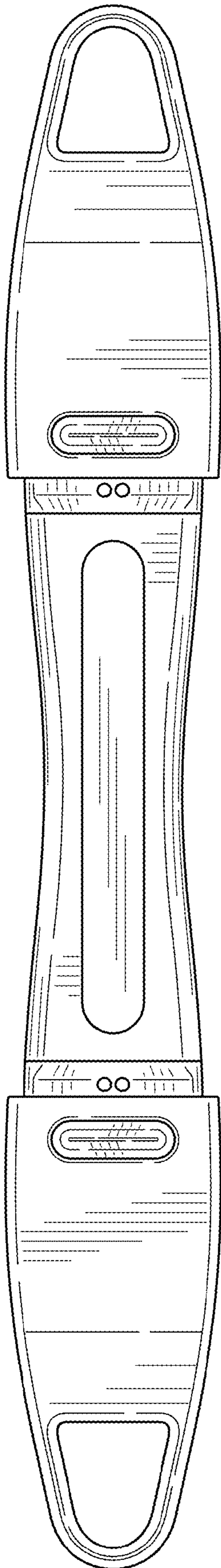


FIG. 14

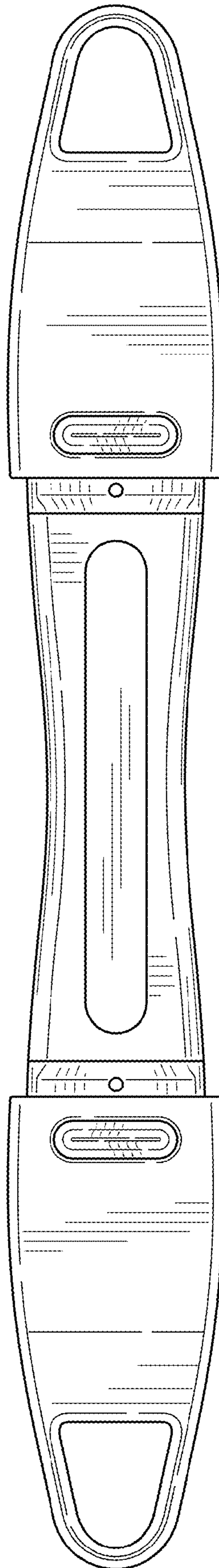


FIG. 15

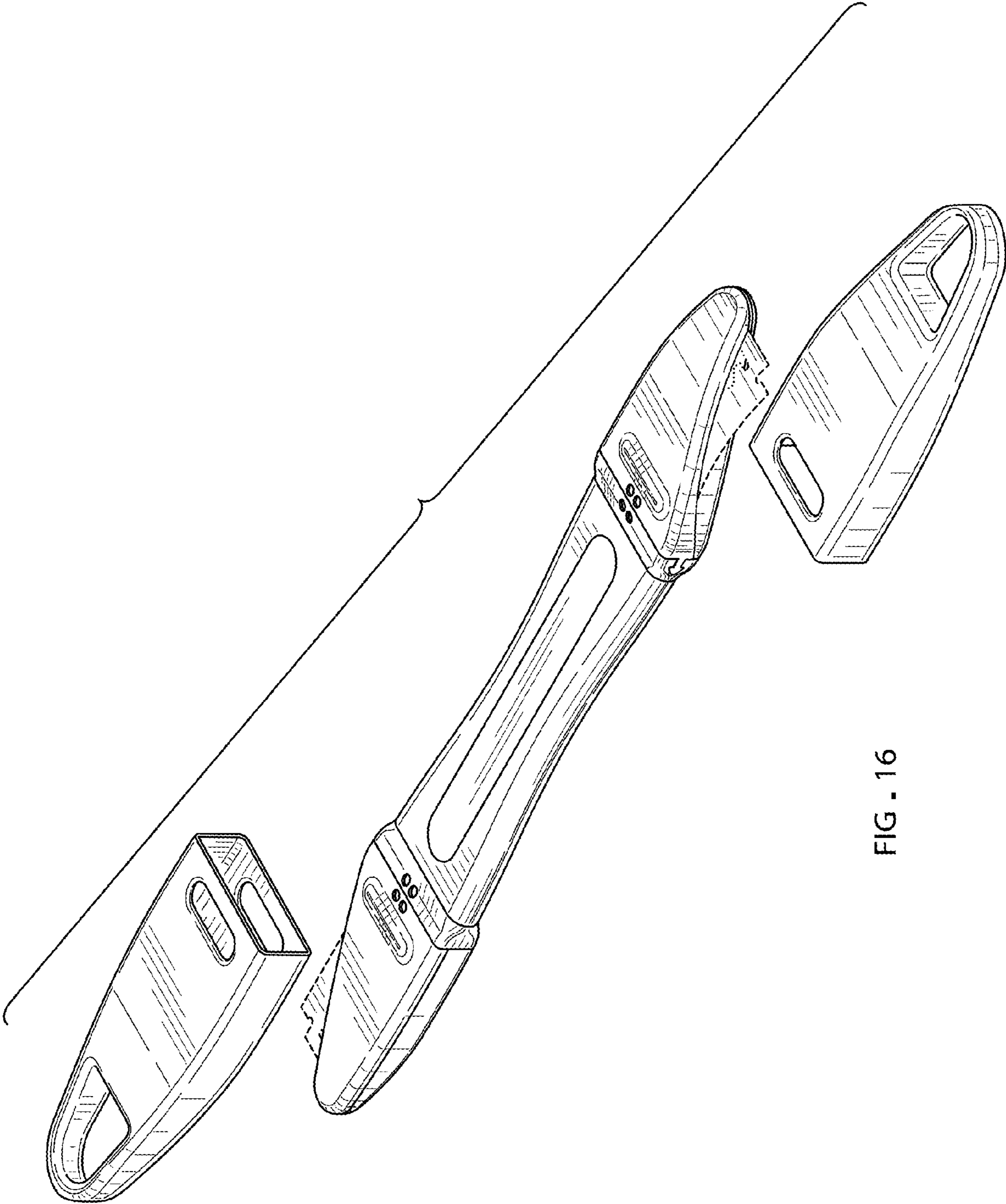


FIG - 16