



US00D878167S

(12) **United States Design Patent**  
**XiangZe**

(10) **Patent No.:** **US D878,167 S**

(45) **Date of Patent:** **\*\* Mar. 17, 2020**

- (54) **MANUAL JUICER**
- (71) Applicant: **Chen XiangZe**, ShanTou (CN)
- (72) Inventor: **Chen XiangZe**, ShanTou (CN)
- (\*\*) Term: **15 Years**
- (21) Appl. No.: **29/710,096**
- (22) Filed: **Oct. 21, 2019**
- (51) **LOC (12) Cl.** ..... **07-04**
- (52) **U.S. Cl.**  
USPC ..... **D7/665**
- (58) **Field of Classification Search**  
USPC ..... D7/665-667, 412, 368, 669, 376-386,  
D7/372  
CPC ..... A47J 19/02; A47J 19/022; A47J 19/027;  
A47J 19/06; A47J 19/00; A47J 19/30;  
A47J 19/023; A47J 36/06; A47J 43/14;  
A23N 1/00; A23N 1/003  
See application file for complete search history.

D512,880 S	12/2005	De Groot	
D534,826 S *	1/2007	Jossem	D7/665
7,337,711 B2 *	3/2008	Holcomb	A47J 19/023 99/508
D699,522 S	2/2014	Wong	
D756,173 S	5/2016	Decaris et al.	
2003/0005832 A1 *	1/2003	Wang	A47J 19/023 100/213
2010/0170406 A1 *	7/2010	Chuang	A47J 19/023 100/126

\* cited by examiner

*Primary Examiner* — Terry A Wallace

(74) *Attorney, Agent, or Firm* — Wayne V. Harper

(57) **CLAIM**

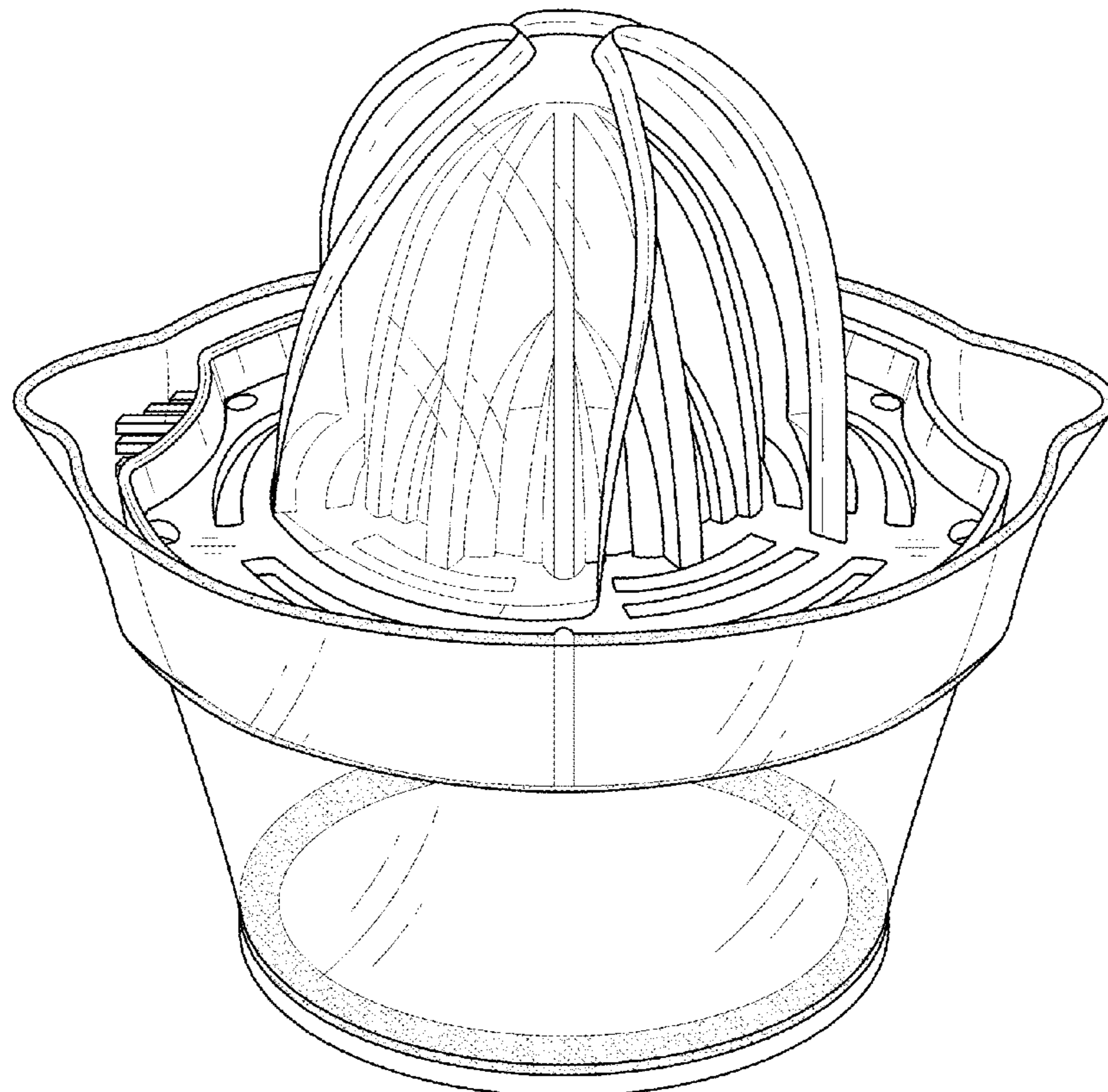
I claim the ornamental design for a manual juicer, as shown and described.

**DESCRIPTION**

FIG. 1 is a Perspective view of a manual juicer showing my new design;  
 FIG. 2 is open perspective view Thereof;  
 FIG. 3 is a Front view Thereof;  
 FIG. 4 is a back view Thereof;  
 FIG. 5 is a Left-side view Thereof;  
 FIG. 6 is a Right-side view Thereof;  
 FIG. 7 is a Top view Thereof; and,  
 FIG. 8 is a Bottom view Thereof.

**1 Claim, 8 Drawing Sheets**

- (56) **References Cited**  
U.S. PATENT DOCUMENTS  
D251,405 S \* 3/1979 Ackeret ..... D7/665  
5,088,392 A \* 2/1992 Ancona ..... A47J 19/023  
99/499  
D407,954 S \* 4/1999 Lehn ..... D7/665  
D465,386 S 11/2002 Wang et al.  
D473,431 S 4/2003 Schwamkrug



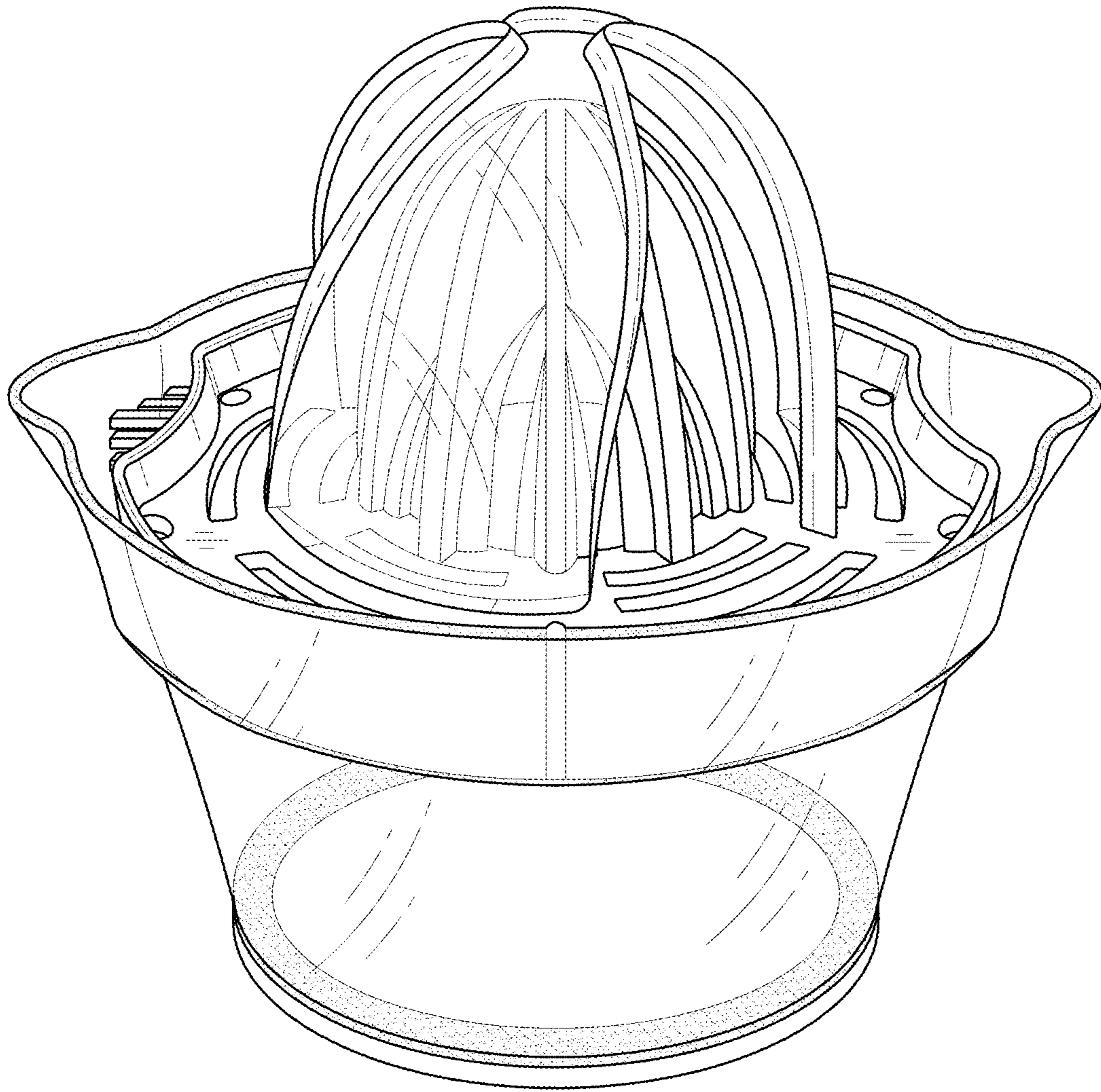


FIG. 1

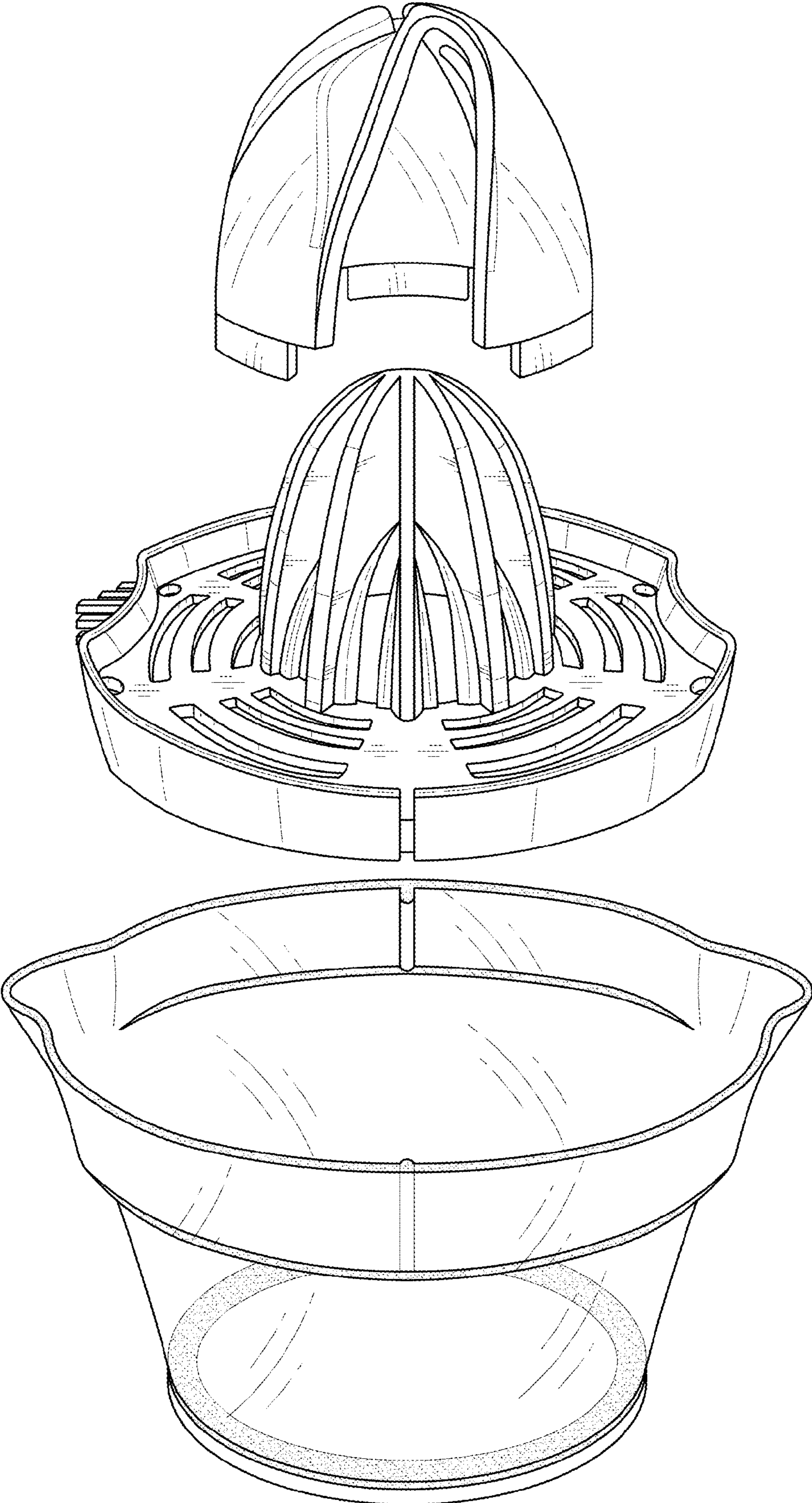


FIG. 2



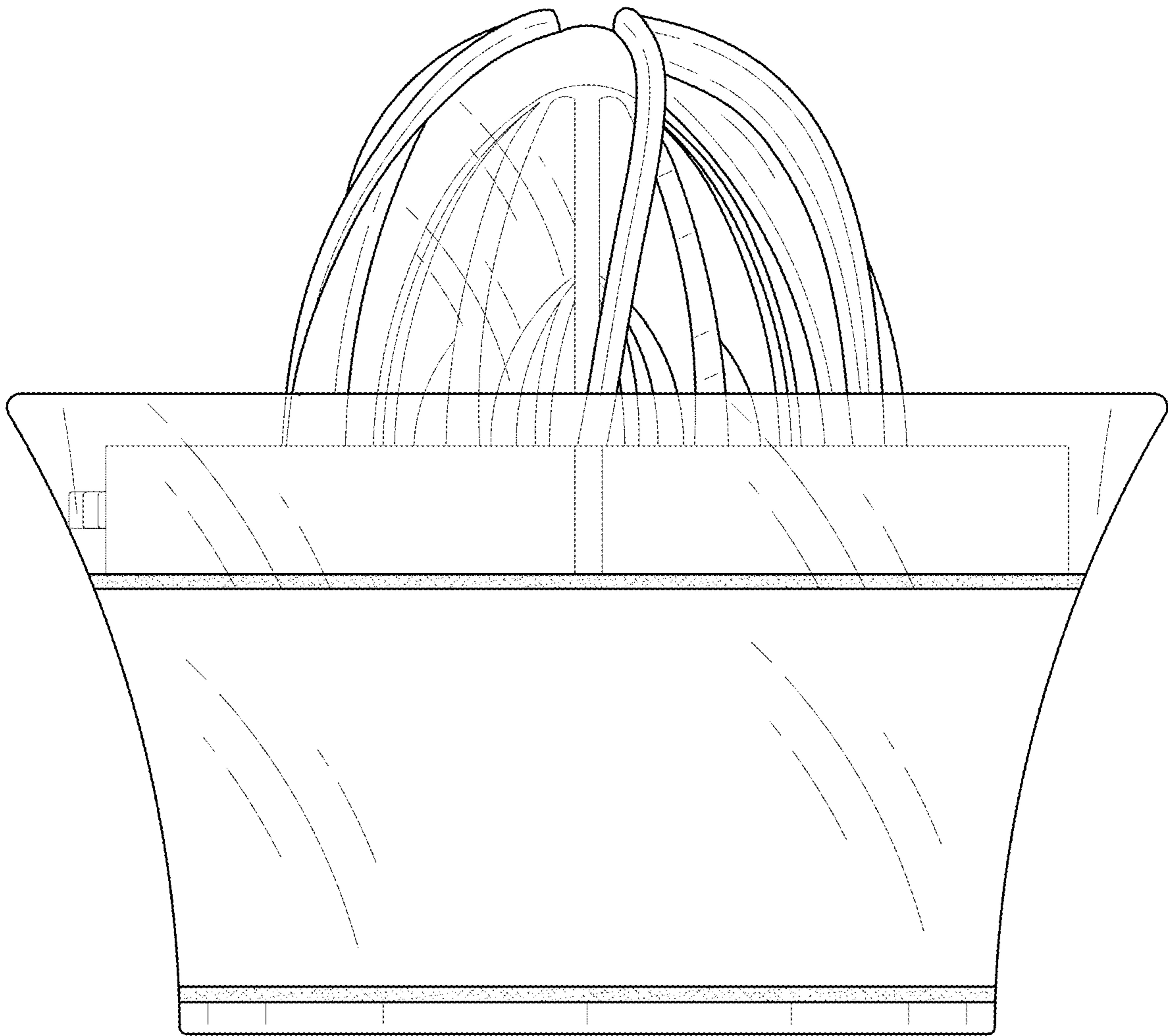


FIG. 3

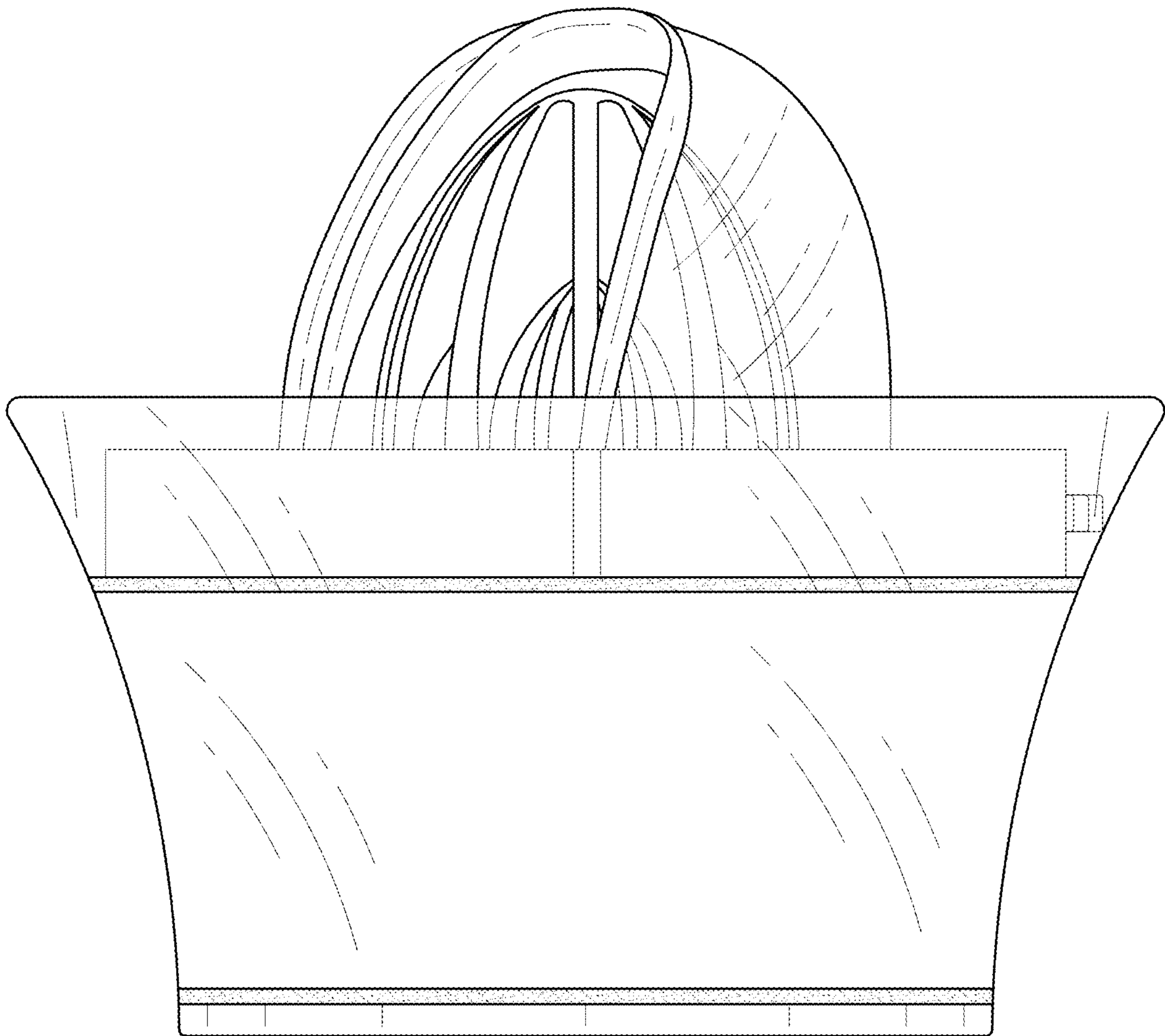


FIG. 4

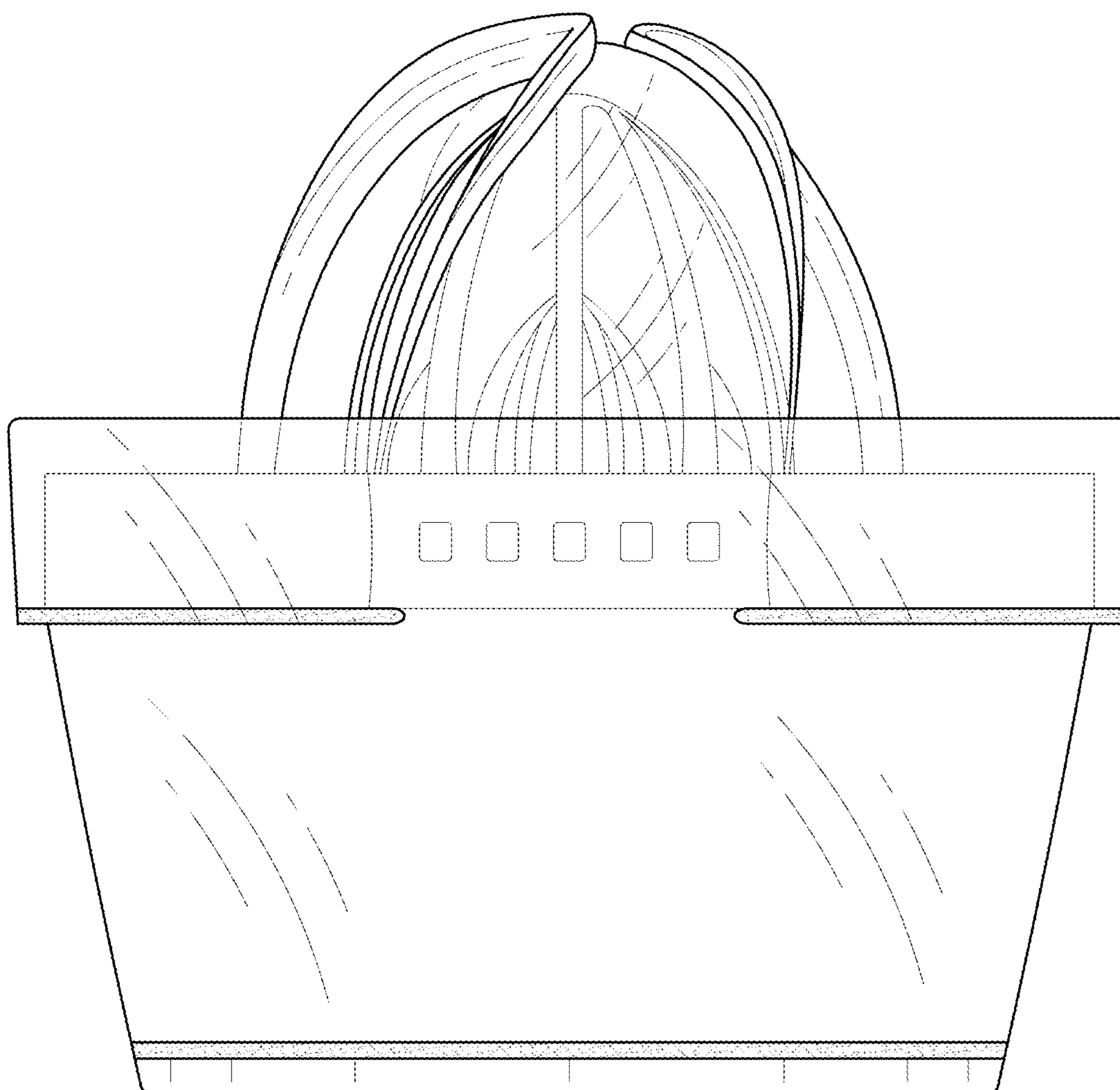


FIG. 5

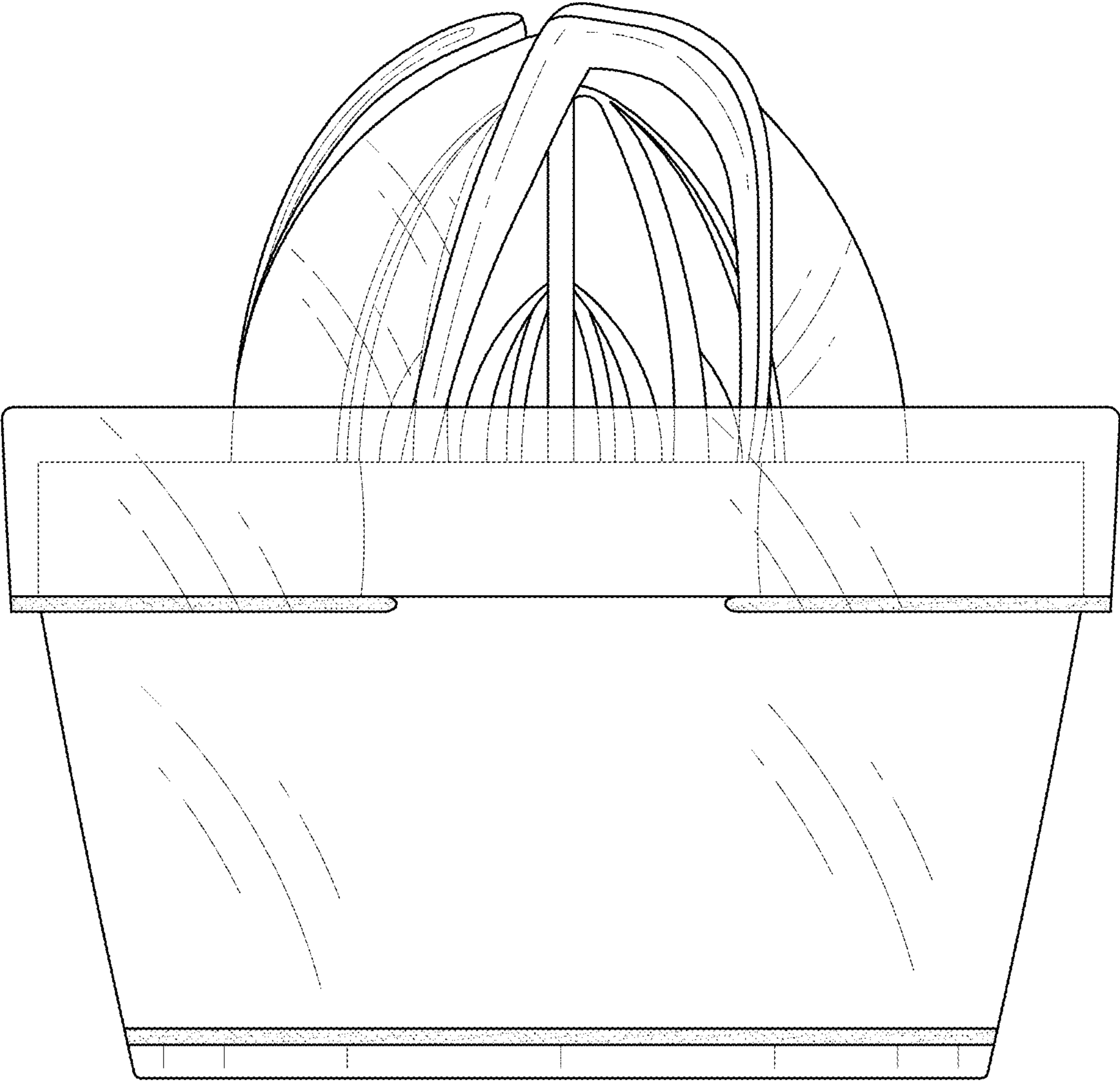


FIG. 6

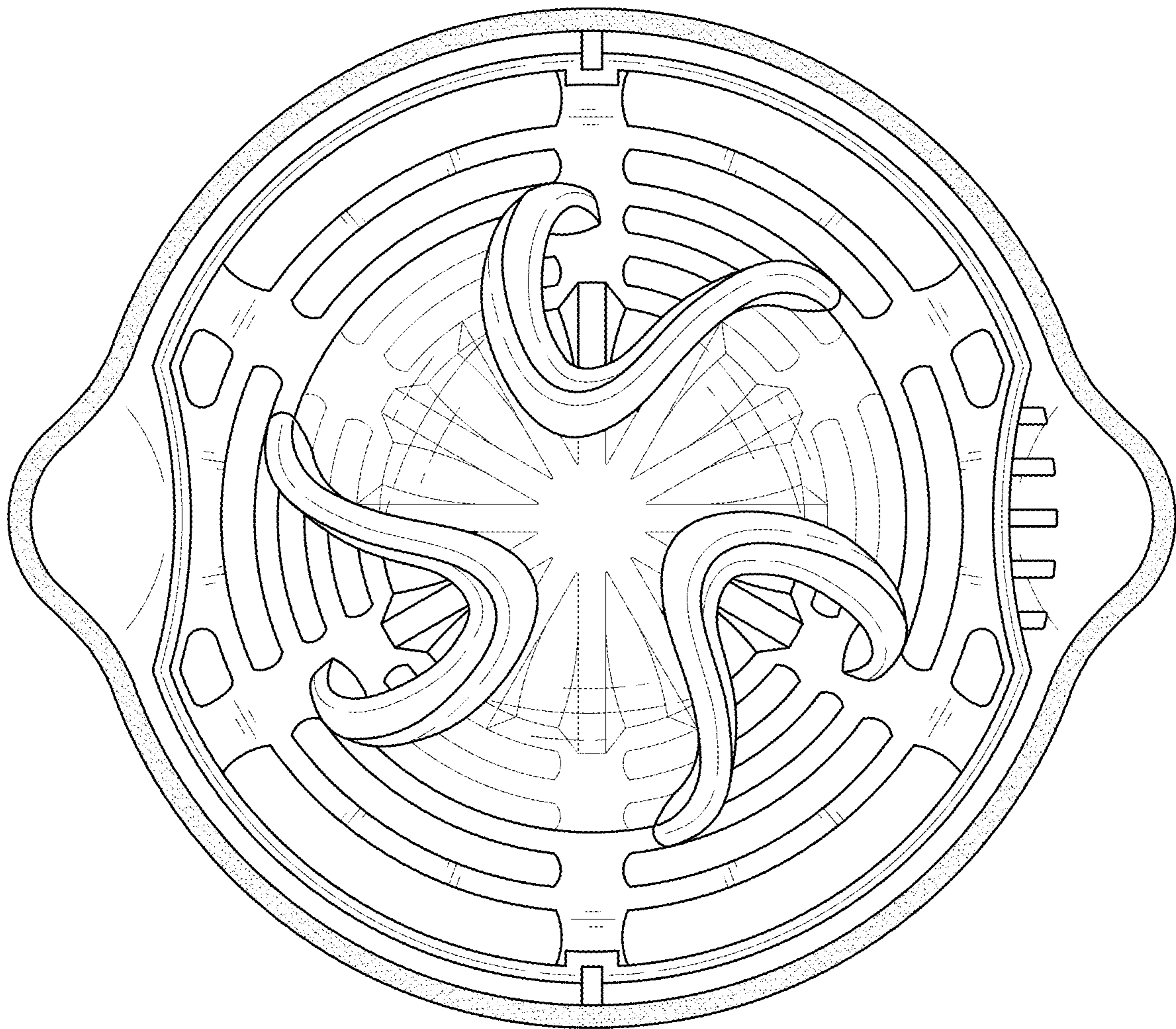


FIG. 7



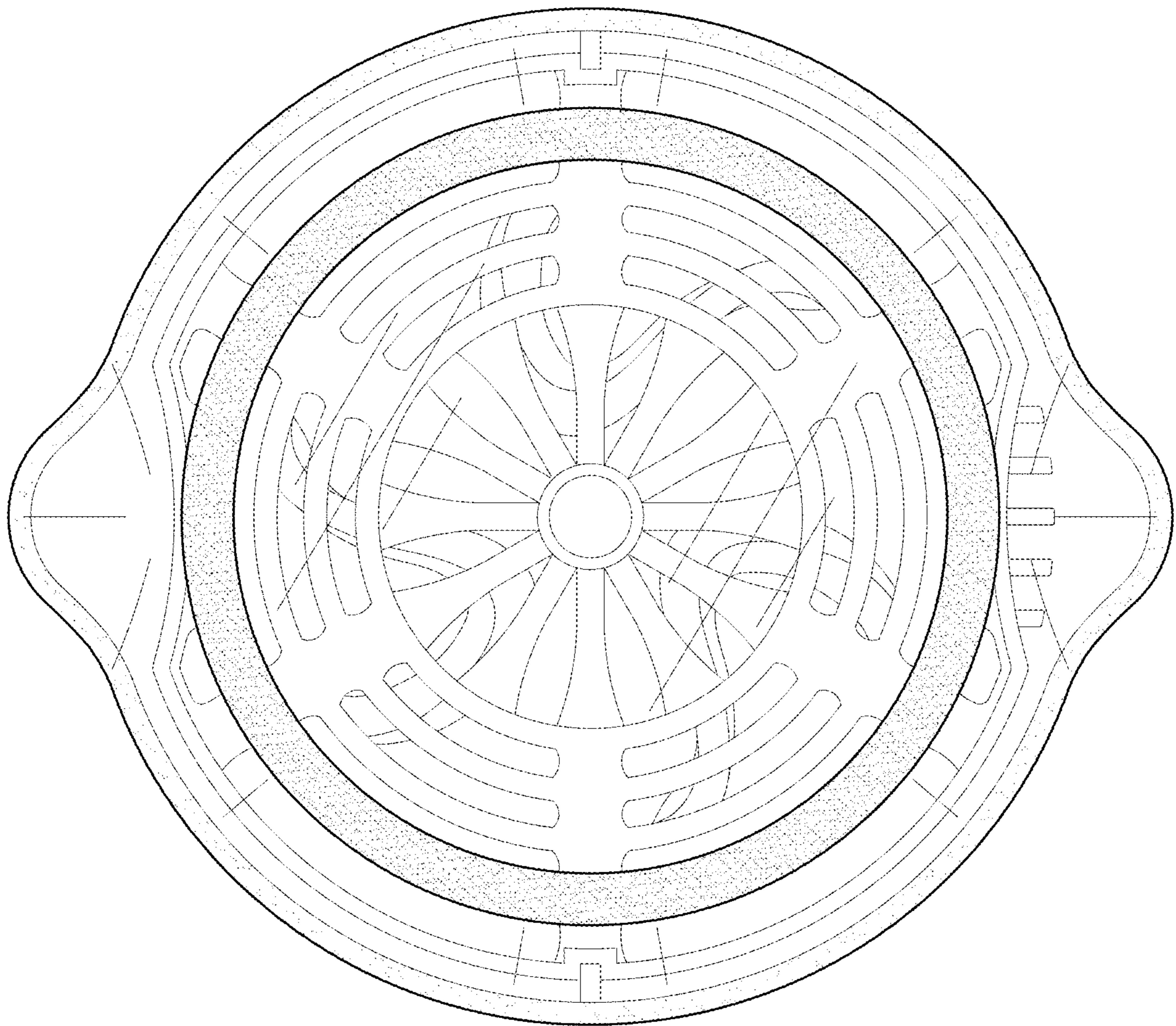


FIG. 8