



US00D878164S

(12) **United States Design Patent**  
**Stelly**

(10) **Patent No.:** **US D878,164 S**  
(45) **Date of Patent:** **\*\* Mar. 17, 2020**

- (54) **COOLER LID**
- (71) Applicant: **Collette K. Stelly**, Conroe, TX (US)
- (72) Inventor: **Collette K. Stelly**, Conroe, TX (US)
- (73) Assignee: **Collette K. Stelly**, Montgomery, TX (US)
- (\*\*) Term: **15 Years**
- (21) Appl. No.: **29/649,102**
- (22) Filed: **May 25, 2018**
- (51) **LOC (12) Cl.** ..... **07-01**
- (52) **U.S. Cl.**  
USPC ..... **D7/608**
- (58) **Field of Classification Search**  
USPC ..... D7/701-708, 551.1, 553.6, 556, 554.2,  
D7/603-608; D32/54  
CPC ..... B01L 9/06; A47B 73/00; A47B 73/006;  
A47G 19/28; A47G 19/30; A47G  
19/2266; A47G 19/22; A47G 23/0641;  
A47G 23/0208; A47G 23/02; A47G  
23/08; B65F 1/14; B65D 2543/00046;  
B65D 75/323; A45C 11/20; A47J 27/10;  
A47J 29/06; A01G 9/028; A01K 97/06;  
B25H 3/026; A61J 7/0069; F25D 3/08;  
F25D 3/14; F25D 3/06  
See application file for complete search history.

- 2,844,258 A \* 7/1958 Faber ..... A47J 29/06  
211/14
  - 3,311,225 A \* 3/1967 Kidd ..... B65D 75/323  
220/507
  - D215,959 S \* 11/1969 Kelso ..... D12/316
  - 3,908,877 A \* 9/1975 Kosisky ..... A47G 23/0208  
294/143
  - D296,023 S \* 5/1988 Tapdrup ..... D32/54
  - 5,271,520 A \* 12/1993 McAfee ..... A01K 97/06  
206/315.11
  - 5,277,328 A \* 1/1994 Tocco ..... A45C 11/20  
206/315.3
  - D378,038 S \* 2/1997 Gaines ..... D7/551.1
  - D385,158 S \* 10/1997 Rausch ..... D7/608
  - 5,755,057 A \* 5/1998 Dancer ..... A01K 97/06  
206/315.11
  - 5,836,446 A \* 11/1998 Varnom ..... B25H 3/026  
206/373
  - 6,029,845 A \* 2/2000 Mueller ..... A47G 23/02  
220/560
  - 6,491,179 B2 \* 12/2002 Dokun ..... A47G 23/0641  
220/507
  - D469,659 S \* 2/2003 Gale ..... D7/553.6
  - D571,623 S \* 6/2008 Loving ..... D7/608
- (Continued)

Primary Examiner — Terry A Wallace

(57) **CLAIM**

The ornamental design for a cooler lid, as shown and described.

**DESCRIPTION**

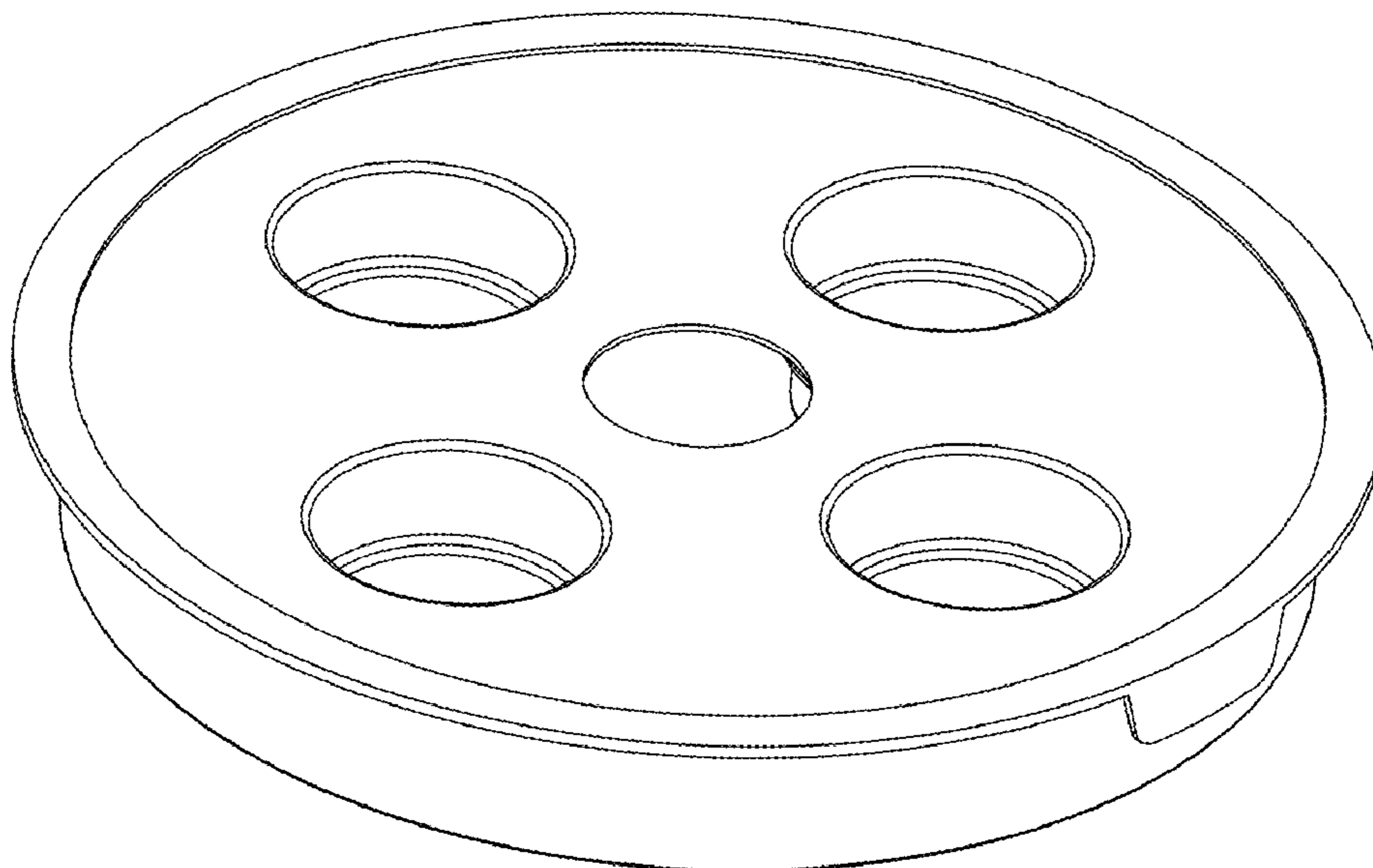
FIG. 1 is a top view of a cooler lid according to the present application.  
 FIG. 2 is a right side view of the cooler lid.  
 FIG. 3 is a left side view of the cooler lid.  
 FIG. 4 is a front view of the cooler lid.  
 FIG. 5 is a back view of the cooler lid.  
 FIG. 6 is a bottom view of the cooler lid.  
 FIG. 7 is a top oblique view of the cooler lid; and,  
 FIG. 8 is a bottom oblique view of the cooler lid.

**1 Claim, 3 Drawing Sheets**

(56) **References Cited**

**U.S. PATENT DOCUMENTS**

- 1,156,723 A \* 10/1915 Thomas ..... A47J 27/10  
220/573.5
- 1,962,556 A \* 6/1934 Eberhardt, Jr. .... A47G 23/0641  
206/562
- 2,531,562 A \* 11/1950 Eve ..... A01G 9/028  
47/80



(56)

**References Cited**

U.S. PATENT DOCUMENTS

8,544,390 B1 \* 10/2013 Bahnsen ..... A47G 23/08  
108/94  
8,567,640 B1 \* 10/2013 Johnson-Lofton .... A61J 7/0069  
211/59.2  
2004/0025530 A1 \* 2/2004 Perrins ..... A45C 11/20  
62/457.5

\* cited by examiner

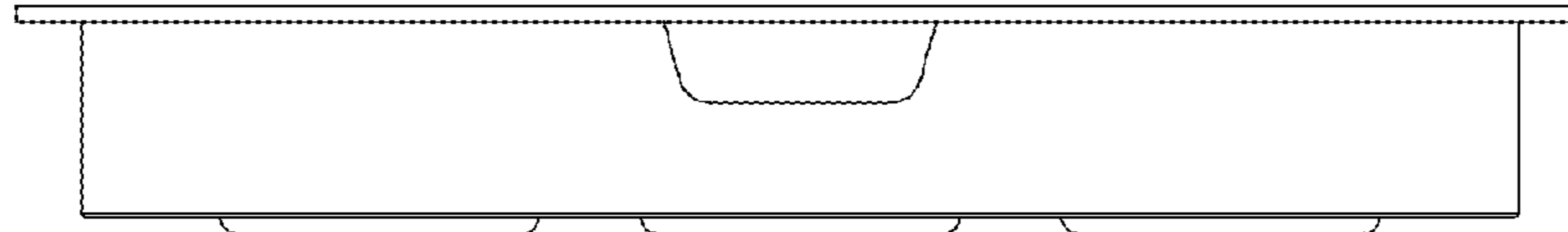


FIG. 5

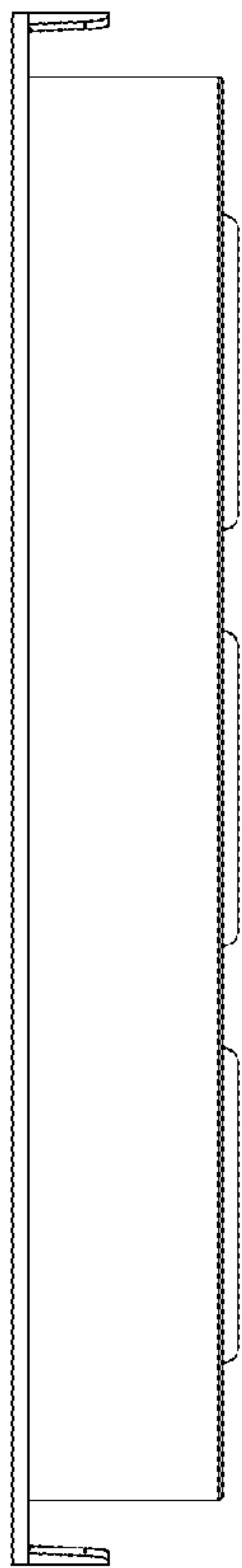


FIG. 2

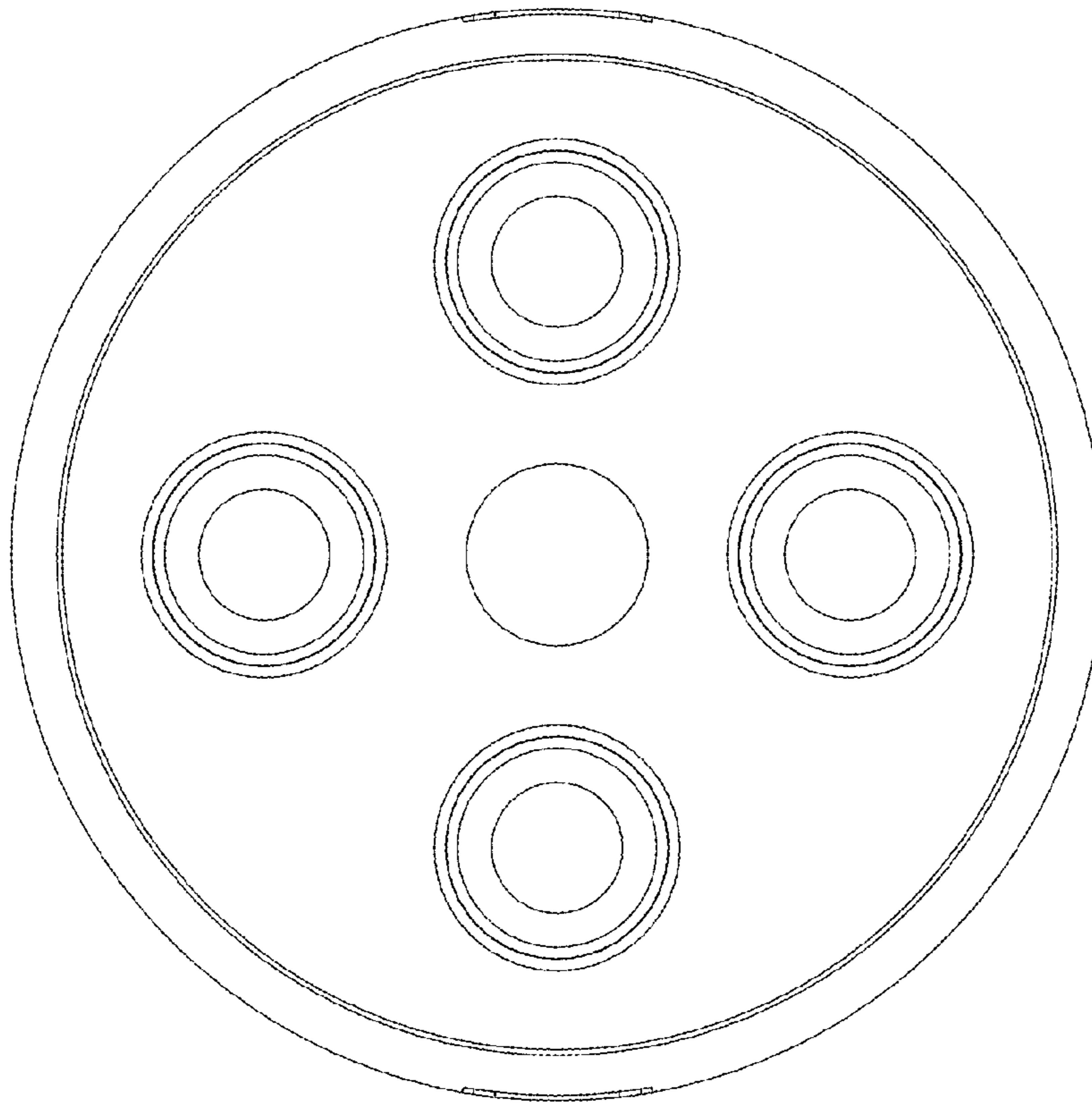


FIG. 1

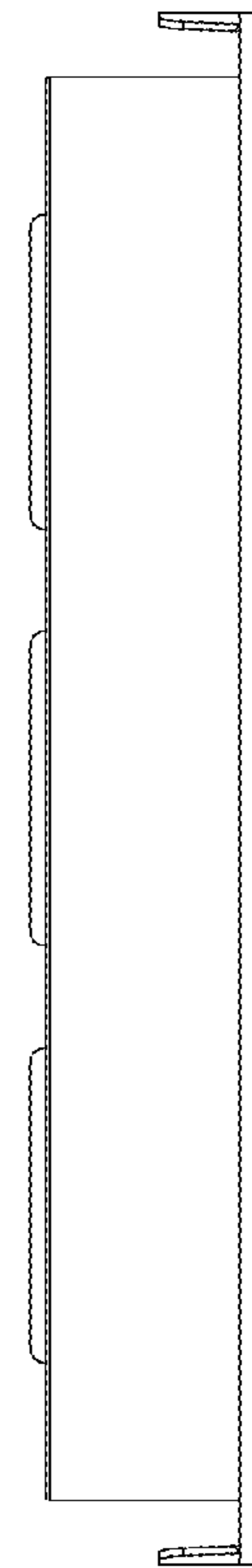


FIG. 3

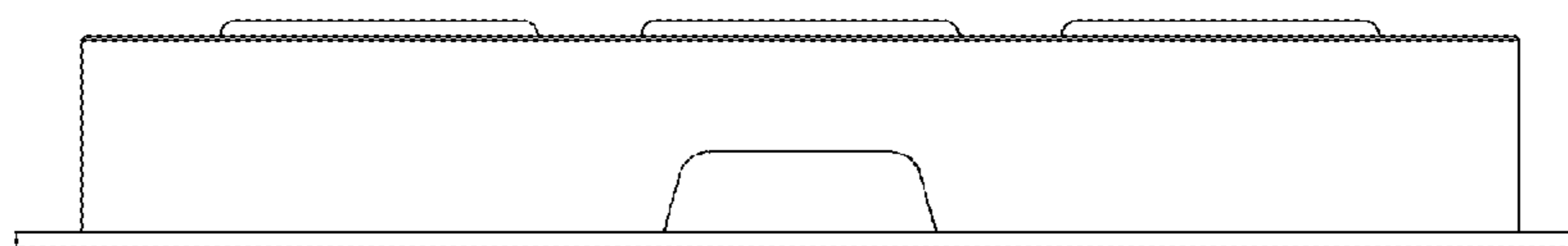


FIG. 4

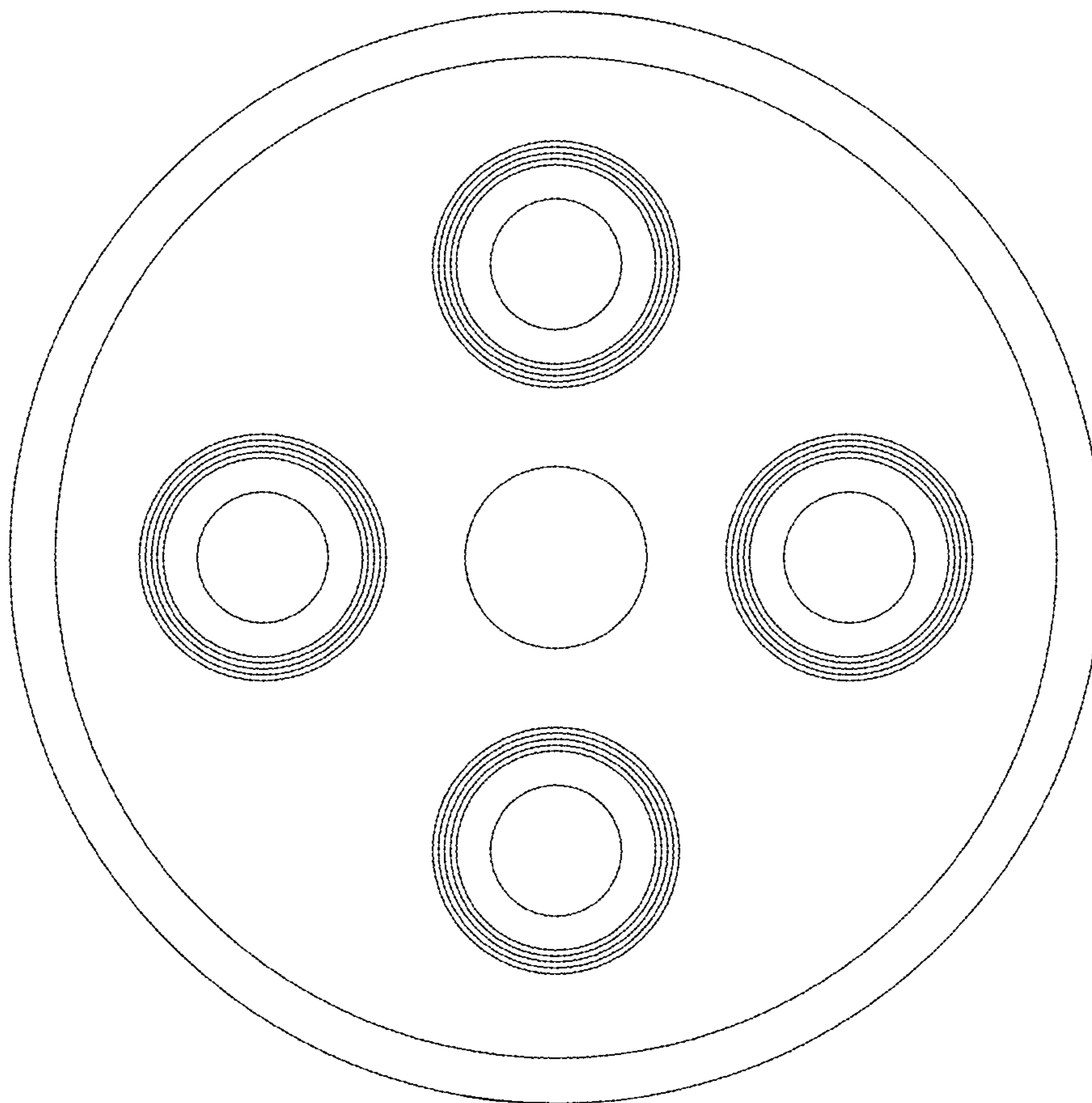


FIG. 6

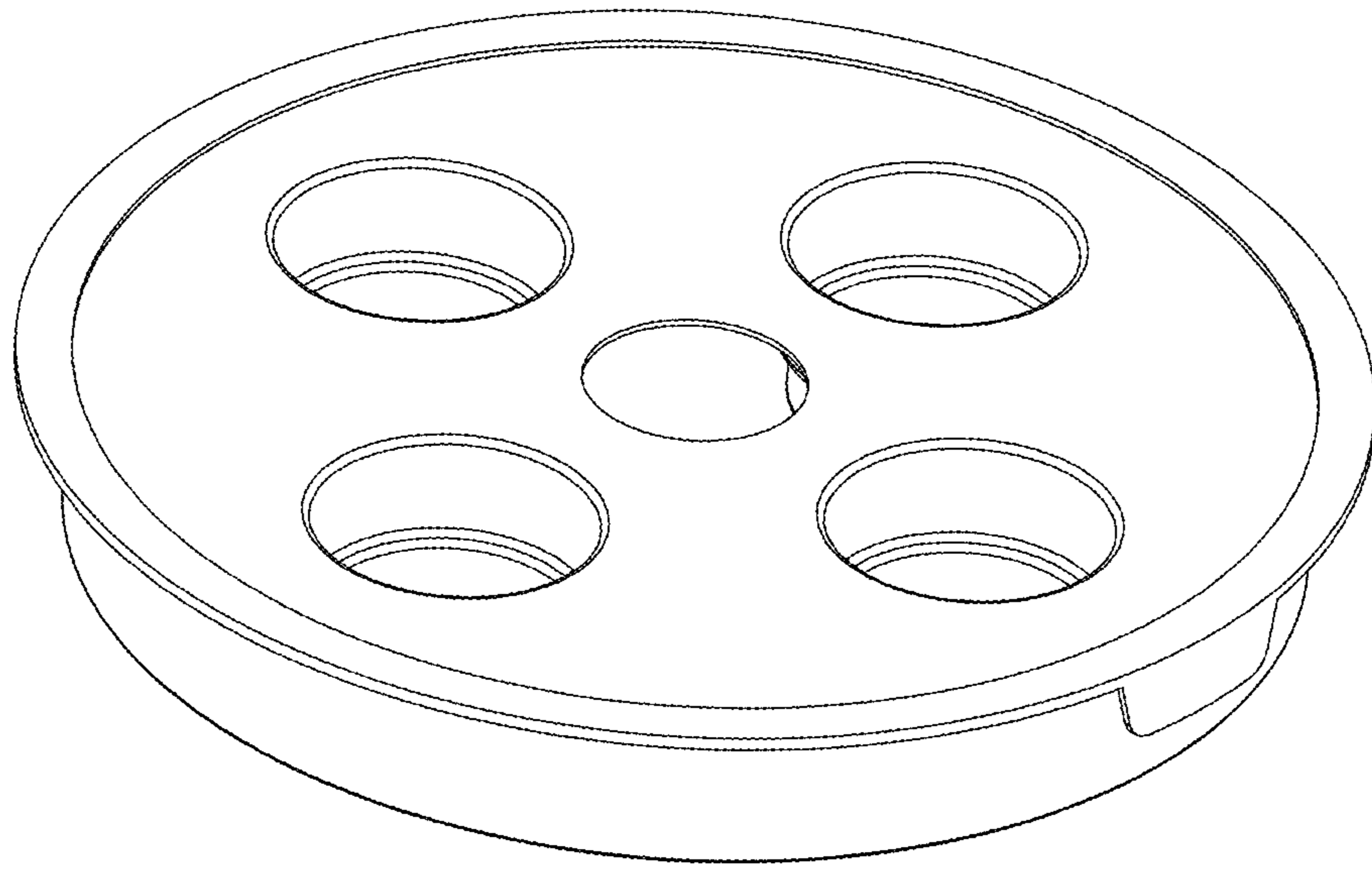


FIG. 7

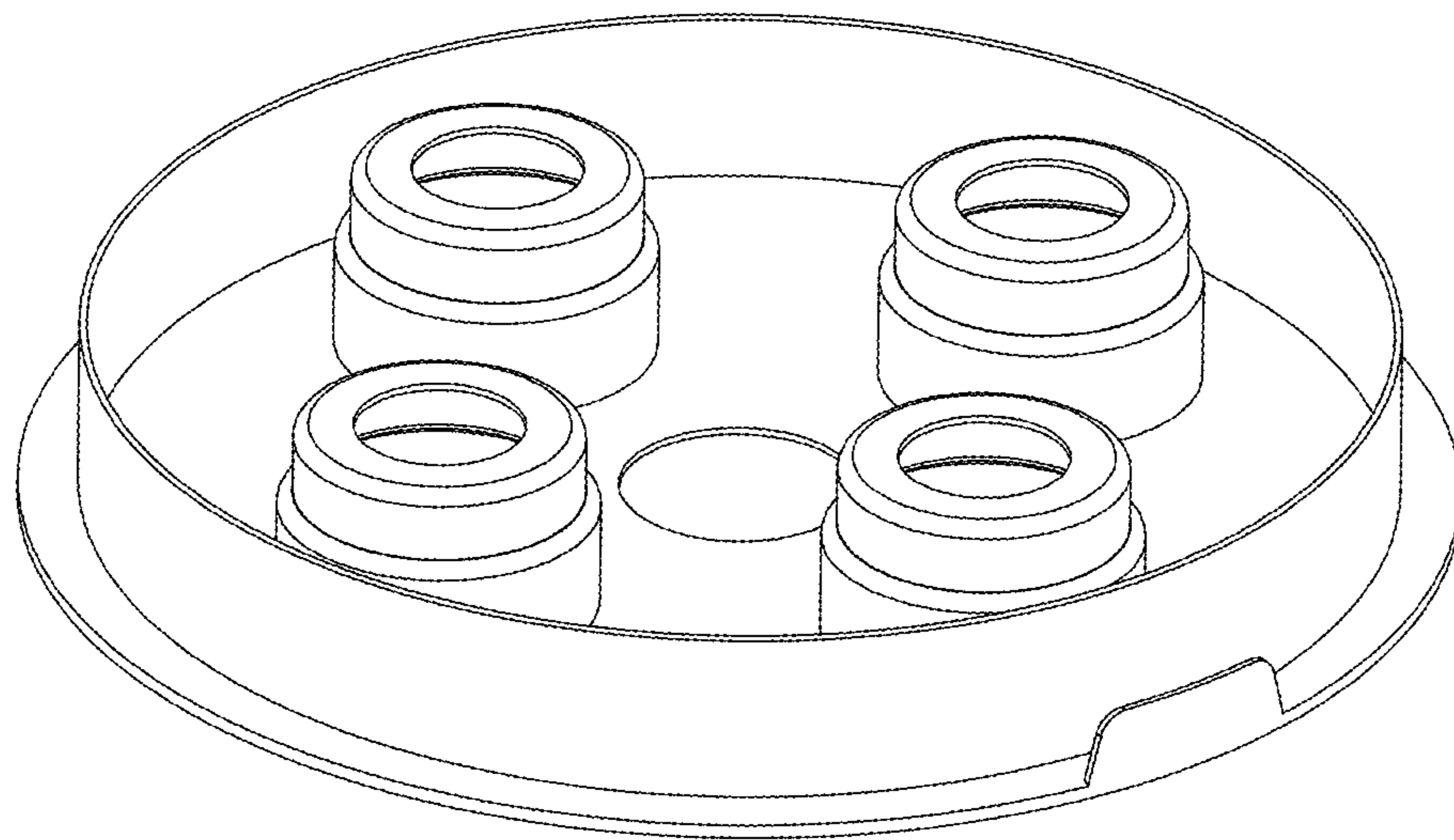


FIG. 8