



US00D878163S

(12) **United States Design Patent** (10) **Patent No.:** **US D878,163 S**  
**Rane et al.** (45) **Date of Patent:** **\*\* Mar. 17, 2020**

(54) **CONTAINER**

FOREIGN PATENT DOCUMENTS

(71) Applicant: **YETI Coolers, LLC**, Austin, TX (US)

AU 2010100178 A4 3/2010  
CN 201116176 Y 9/2008

(72) Inventors: **Mark Carlson Rane**, Austin, TX (US);  
**Andrew J. Winterhalter**, Austin, TX (US);  
**Edward Naguit Abante**, Austin, TX (US);  
**Desiree Hunter**, Austin, TX (US);  
**Robert Throop**, Austin, TX (US);  
**Elizaveta Morris**, Austin, TX (US)

(Continued)

OTHER PUBLICATIONS

(73) Assignee: **YETI Coolers, LLC**, Austin, TX (US)

Plastic Jar | posted at uline.com, no posting date, (c)—1996-2019 Uline.com, [online], [site visited Jun. 5, 2017]. Available from Internet, <<https://www.uline.com/Product/Detail/S-9935B-W/Jars/Clear-Round-Wide-Mouth-Plastic-Jars-Bulk-Pack-8-oz-White-Cap>> (Year: 2019).

(\*\*) Term: **15 Years**

(Continued)

(21) Appl. No.: **29/643,777**

*Primary Examiner* — Terry A Wallace

(22) Filed: **Apr. 11, 2018**

(74) *Attorney, Agent, or Firm* — Banner & Witcoff, Ltd.

(51) **LOC (12) Cl.** ..... **07-01**

(52) **U.S. Cl.**  
USPC ..... **D7/608; D7/630**

(58) **Field of Classification Search**

USPC ..... D7/605–608, 629, 630, 612–615,  
D7/509–511; D9/500, 502, 503

CPC ..... A47J 41/00; A47J 41/005; A47J 41/02;  
A47J 41/022; A47J 41/024; A47J 41/026;

A47J 41/028; A47J 41/0077; A47J

41/0072; F25D 3/08; F25D 3/14; F25D

2331/804; A45C 11/20; A47G 19/2205;

A47G 19/23; A47G 19/2272; A47G

2019/2294; B65D 81/3837; B65D

81/3839; B65D 81/3841; B65D 81/3844;

B65D 81/3846; B65D 81/3876; B65D

81/3879; B65D 81/3883; B65D 81/3886;

B65D 41/04; B65D 23/0814; B65D

23/0878; B65D 1/0215

See application file for complete search history.

(56) **References Cited**

U.S. PATENT DOCUMENTS

769,615 A 9/1904 Kosansvich  
1,324,653 A 12/1919 Ferdon

(Continued)

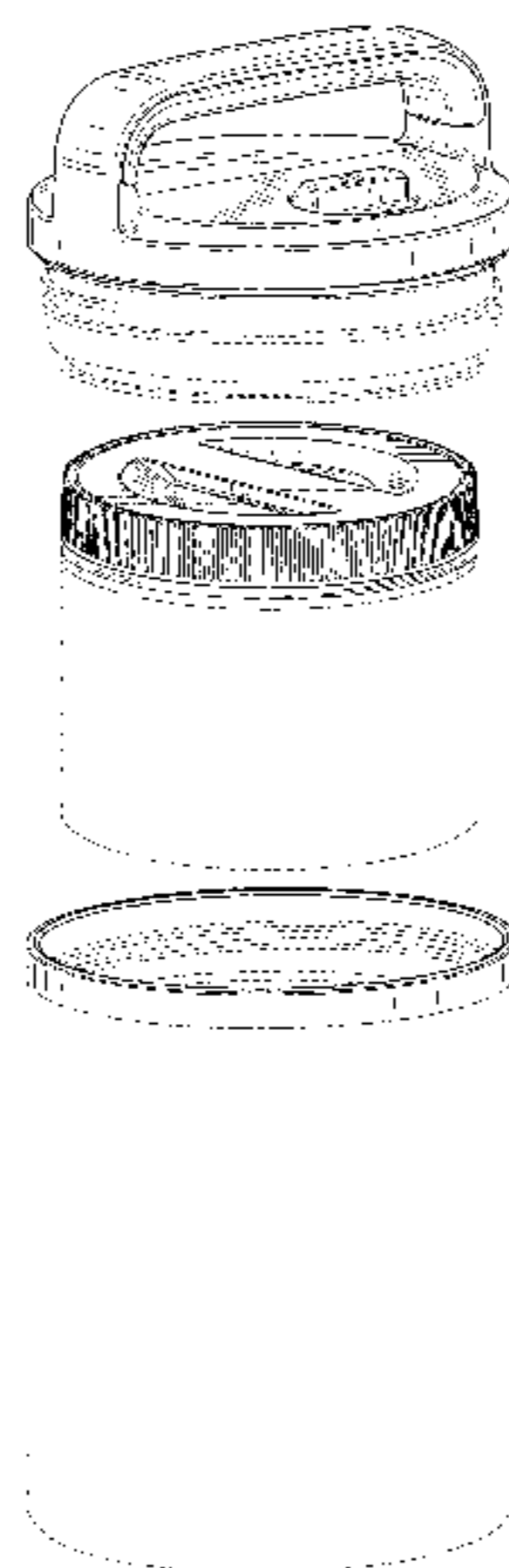
(57) **CLAIM**

The ornamental design for a container, as shown and described.

**DESCRIPTION**

FIG. 1 is a top, front, left perspective exploded view of a container showing my new design; FIG. 2 is a front exploded view thereof; FIG. 3 is a rear exploded view thereof; FIG. 4 is a left side exploded view thereof; FIG. 5 is a right side exploded view thereof; FIG. 6 is a front view of the container design shown in FIGS. 1-5 in an exemplary assembled and in-use state; and, FIG. 7 is a cross-sectional view taken from FIG. 6. The broken lines depicting the remainder of the container show features that form no part of the claimed design. The uneven-length broken lines immediately adjacent to the shaded areas in FIGS. 1 through 6 define the boundary lines of the claimed design and form no part of thereof.

**1 Claim, 7 Drawing Sheets**



# US D878,163 S

(56)

### References Cited

#### U.S. PATENT DOCUMENTS

1,362,933 A 1,472,667 A 1,573,620 A 1,871,138 A 2,010,812 A 2,184,336 A 2,488,611 A D160,648 S 2,575,770 A 2,663,450 A 2,872,095 A 2,960,250 A 2,963,187 A *	12/1920 10/1923 2/1926 8/1932 8/1935 12/1939 11/1949 10/1950 11/1951 12/1953 2/1959 11/1960 12/1960	Ferdon Nelson Allston Ward, Jr. Devine Devine Stallings Munk Roop Bourcart Adams Haloski Bramming ..... A47J 41/02  215/12.1 Berg et al. King III Carpenter et al. Wheaton Caramanian Poferl Bliss Galer Olsen Durham Woodcock et al. Ruxton ..... D7/321 Simila Schwartz Heath Meadows Hart et al. Paige et al. Jordan Wilcox, Jr. Morin Mongeon Leung Toida et al. Jordan Goto et al. Brophy Voageley Ito et al. Jarvis Fierek et al. Lisch Demore Hallmark Dancyger Rea et al. Neeser et al. Yamada et al. Litton et al. Fujii et al. Hazen Sautner et al. Chen Anthony Toida et al. Hurlburt ..... D9/504 Moran Slater et al. Slater et al. Segura Lin Lin Meyer Dias, Jr. et al. Rich Hollander et al. Pace et al. Wiedmeyer et al. Cioeta et al. Bresler Dibdin et al.	D527,219 S D552,413 S D557,994 S * D562,624 S 7,350,657 B2 7,401,708 B2 D574,708 S D579,720 S D581,809 S D582,275 S D583,200 S D584,103 S D585,245 S * D587,115 S 7,487,883 B2 D587,534 S D592,954 S D593,811 S 7,559,274 B2 D606,864 S D608,195 S D609,521 S D612,235 S D612,240 S 7,686,168 B1 7,726,483 B2 D620,357 S D620,798 S D622,089 S D622,554 S D623,480 S D623,481 S D623,896 S D624,413 S D626,416 S D628,486 S D628,857 S D629,657 S D630,475 S D635,393 S D635,457 S * D641,206 S D641,591 S 7,988,005 B2 D645,349 S D651,050 S D652,255 S D660,084 S * D660,655 S * D660,657 S D666,061 S D673,047 S 8,328,014 B2 D675,100 S 8,342,349 B2 8,360,048 B2 D679,959 S D680,431 S D682,625 S D682,626 S 3,448,801 A1 D685,231 S D685,232 S D691,245 S 8,561,825 B1 8,584,891 B2 D696,079 S D696,790 S 8,631,957 B2 D702,506 S * 8,701,887 B2 D708,010 S D708,912 S 8,783,482 B2 D710,155 S D710,696 S 8,800,796 B2 D713,365 S D715,590 S	8/2006 10/2007 12/2007 2/2008 4/2008 7/2008 8/2008 11/2008 12/2008 12/2008 12/2008 12/2008 1/2009 1/2009 2/2009 2/2009 3/2009 5/2009 6/2009 7/2009 12/2009 1/2010 2/2010 2/2010 3/2010 3/2010 3/2010 3/2010 6/2010 7/2010 8/2010 8/2010 8/2010 9/2010 9/2010 9/2010 9/2010 11/2010 12/2010 12/2010 12/2010 1/2011 4/2011 4/2011 7/2011 7/2011 8/2011 9/2011 12/2011 1/2012 5/2012 5/2012 5/2012 8/2012 12/2012 12/2012 1/2013 1/2013 1/2013 1/2013 4/2013 4/2013 5/2013 5/2013 5/2013 5/2013 7/2013 7/2013 7/2013 10/2013 10/2013 11/2013 12/2013 12/2013 1/2014 4/2014 4/2014 7/2014 7/2014 7/2014 7/2014 8/2014 8/2014 8/2014 9/2014 10/2014	Trombly Laib et al. Wahl ..... D7/608 Kortleven Eaton et al. Lin Reed et al. Rohe Wichowski Reed et al. Moran Valderrama et al. Brouillette ..... D7/608 Capretta et al. Waters Carreno Capretta et al. Carreno Wilhite Robinson Germann Holsinger Cresswell et al. Cresswell et al. Smiley et al. Ramanujam et al. Jewett et al. Cresswell et al. Daniel et al. Carreno Moran Moran Wahl et al. Selina et al. Cresswell et al. Lane Tatsukawa Carreno Lu Nakatani Lane ..... D7/511 Heiberg et al. Tsukida Wagner Tilton Goshi Carland Gilbert ..... D7/510 Wahl ..... D7/608 Picozza et al. Ying Stamper et al. Saunders et al. Herbst Lu Ford et al. Lane Hopkins et al. Lane Lane Lane Rusnak et al. Lane Lane Ho Kino et al. Hutchinson et al. Meyers et al. Nemeth Dart et al. Mettler ..... D7/608 Baker et al. Gillette et al. DeCraim Mezrag et al. Tatsukawa Kwon Wagner Green Mangano
--	---	---	--	---	---

(56)

References Cited

U.S. PATENT DOCUMENTS

8,857,209 B2	10/2014	Wang
D717,114 S	11/2014	Katterheinrich et al.
D717,469 S	11/2014	Nemeth
8,919,591 B2	12/2014	Cai et al.
D722,476 S	2/2015	Kilduff et al.
D723,370 S	3/2015	Medlin
9,016,508 B1	4/2015	Leighton et al.
3,051,095 A1	6/2015	Antal, Sr.
9,102,439 B2	8/2015	Kemper et al.
9,120,598 B2	9/2015	Meyers et al.
9,216,843 B2	12/2015	Sorensen et al.
D749,948 S	2/2016	Groglopo Favetto
9,254,063 B2	2/2016	Libourel et al.
9,278,781 B1	3/2016	Boldis
9,322,588 B2	4/2016	Carroll et al.
D755,561 S	5/2016	Eyal
D758,859 S	6/2016	Sorensen et al.
D760,586 S	7/2016	Seiders et al.
D766,668 S	9/2016	Garcia
D766,717 S	9/2016	Sheikh
3,452,876 A1	9/2016	Anelevitz et al.
D769,079 S	10/2016	Kotani
D770,239 S	11/2016	Lonner et al.
D770,240 S	11/2016	Stover
3,492,024 A1	11/2016	Sorensen et al.
D774,362 S	12/2016	Wahl
D774,837 S	12/2016	Seiders et al.
9,516,974 B2	12/2016	Herling et al.
D775,496 S	1/2017	Szucs et al.
D780,577 S	3/2017	Seiders et al.
D781,145 S	3/2017	Seiders et al.
D781,146 S	3/2017	Seiders et al.
D782,253 S	3/2017	Boroski et al.
D782,881 S	4/2017	Seiders et al.
D783,367 S	4/2017	Seiders et al.
D783,368 S	4/2017	Seiders et al.
D784,093 S	4/2017	Boroski et al.
D784,775 S	4/2017	Seiders et al.
D787,317 S	5/2017	Dunn et al.
D788,544 S	6/2017	Seiders et al.
D790,285 S	6/2017	Seiders et al.
D795,705 S	8/2017	Huang
D804,304 S	12/2017	Pearson
D805,852 S	12/2017	Seiders et al.
D808,263 S	1/2018	Patel
D808,713 S	1/2018	Rane et al.
D811,162 S	2/2018	Rane et al.
D814,928 S	4/2018	Seiders et al.
D816,493 S	5/2018	Seiders et al.
D819,396 S	6/2018	Seiders et al.
D820,650 S	6/2018	Seiders et al.
D821,135 S	6/2018	Rane et al.
D821,807 S	7/2018	Yap et al.
D831,436 S	10/2018	Seiders et al.
D832,704 S	11/2018	Seiders et al.
D834,366 S	11/2018	Ulanski et al.
2002/0031462 A1	3/2002	Jorgensen
2004/0124114 A1	7/2004	Sellers
2005/0145633 A1	7/2005	Goto et al.
2006/0186125 A1	8/2006	Tew
2008/0006642 A1	1/2008	Hidary
2008/0006643 A1	1/2008	Ma
2008/0314909 A1	12/2008	Takeo et al.
2009/0057312 A1	3/2009	Beyers, III
2009/0071968 A1	3/2009	O'Brien
2009/0212059 A1	8/2009	Chen
2009/0255942 A1	10/2009	Omdoll et al.
2009/0266737 A1	10/2009	Cole
2010/0078435 A1	4/2010	Wang
2010/0089857 A1	4/2010	Dinerstein et al.
2010/0108694 A1	5/2010	Sedlbauer et al.
2010/0200532 A1	8/2010	Ekkert
2011/0163102 A1	7/2011	Haynie
2011/0186585 A1*	8/2011	Lu ..... A47J 41/00

220/575

2012/0018317 A1	1/2012	Rein
2012/0037646 A1	2/2012	Dunwoody et al.
2012/0043334 A1	2/2012	Nowzari
2013/0008909 A1	1/2013	Terracciano
2013/0175250 A1	7/2013	Saatkamp et al.
2013/0248537 A1	9/2013	Lane
2014/0061210 A1	3/2014	O'Hanley et al.
2014/0091097 A1	4/2014	Lane
2014/0202597 A1	7/2014	Waniuk
2015/0053679 A1	2/2015	Liu
2015/0136797 A1	5/2015	Li
2015/0197390 A1	7/2015	Kurabe et al.
2015/0282652 A1	10/2015	Honarvar et al.
2015/0284138 A1	10/2015	Lane et al.
2015/0366236 A1	12/2015	Inoue
2016/0150902 A1	6/2016	Dokhanian et al.
2016/0214783 A1	7/2016	Xie
2016/0318693 A1	11/2016	Hein et al.
2016/0354775 A1	12/2016	Bruno et al.
2017/0073147 A1	3/2017	Kuhn
2017/0217638 A1	8/2017	Faria et al.

FOREIGN PATENT DOCUMENTS

CN	102028402 A	4/2011
CN	201855104 U	6/2011
CN	102599799 A	7/2012
CN	103395565 A	11/2013
CN	205498376 U	8/2016
DE	20219646 U1	3/2003
EP	631940 A1	1/1995
EP	1044889 A1	10/2000
EP	1057748 A1	12/2000
ES	2383862 A1	6/2012
GB	2523797 A	9/2015
JE	9203581 U1	5/1992
JP	19970157380	12/1998
JP	19980153576	11/1999
JP	2003024124 A	1/2003
JP	2003144221 A	5/2003
JP	2004337207 A	12/2004
JP	2006042944 A	2/2006
JP	2007313232 A	12/2007
JP	2011254850 A	12/2011
JP	2012070927 A	4/2012
JP	3175589 U	5/2012
JP	2015217158 A	12/2015
JP	20160003528 U	9/2016
KR	200470218 Y1	12/2013
KR	200483708 Y1	6/2017
NO	2005095226 A1	10/2005
NO	2010100773 A1	9/2010
NO	2014086092 A1	6/2014
WO	0128886 A1	4/2001

OTHER PUBLICATIONS

MonBento Insulated Bento Box: Site Visited [Jul. 19, 2019]. Available from internet URL: <<https://www.lunchaporter.com/en/all-products/lunch-containers/monbento-element-insulated-bento-box.html>>.

Vaya Tyffyn 1000 ml Insulated Lunch Box w.Bag Mat—Stainless Steel Leak-Resistant Food Storage Container—100% BPA Free, Eco-Friendly & Reusable Lunch Box 23.5 oz (4.2 cups) total capacity [online], [retrieved Nov. 3, 2017], retrieved from the Internet, URL: <<https://www.amazon.com/dp/B06WGPKLKG1?psc=1>>; 8 color pages, published date unknown, but for purposes of patent prosecution presumably more than a year prior to the filed of the present application.

Zojirushi SL-JAE14SA Mr. Bento Stainless Steel Lunch Jar, Silver [online], [retrieved Nov. 3, 2017], Retrieved from the internet, URL: <[https://www.amazon.com/dp/B000246GSE/ref=psdc\\_2457292011\\_tl\\_B06WGPKLKG1](https://www.amazon.com/dp/B000246GSE/ref=psdc_2457292011_tl_B06WGPKLKG1)>; 9 color pages, published date unknown but for the purposes of patent prosecution presumably more than a year prior to the filing date of the present application.

(56)

**References Cited**

## OTHER PUBLICATIONS

Kuuk Vacuum Food thermos Lunch Box Container Jar—58oz / 1.8 quart—Stainless Steel [online], [retrieved Nov. 3, 2017], Retrieved from the Internet, URL: <https://www.amazon.com/dp/Boifstcdco?psc=1>; 7 color pages, published date unknown but for the purposes of patent prosecution presumably more than a year prior to the filing date of the present application.

Insulated Stainless Steel Food Canisters (2 sizes) [online], [retrieved Nov. 3, 2017], Retrieved from the Internet, URL: <https://mightynest.com/shop/lunch-gear/food-containers/insulated-food-containers/insulated-stainless-steel-food-canisters-2>; 3 color pages, published date unknown but for the purposes of patent prosecution presumably more than a year prior to the filing of the present application.

Haers 1500ml Lunch Box Thermos for Food With Containers Stainless Steel Insulated Food Thermos Lunch Box -Ir-1500A-1 [online], [retrieved Nov. 3, 2017], Retrieved from the Internet, URL: <https://www.solidrop.net/product/haers-1500ml-lunch-box-thermos-for-food-with-containers-stainless-steel-insulated-food-thermos-lunch-box-T-1500a-1.html>; 8 color pages, published date unknown but for the purposes of patent prosecution presumably more than a year prior to the filing of the present application.

Vacuum Insulated Lunch Box, Thermal Insulating Stainless Steel Lunch Containers, 2.0L (0.53Gal) [online], [retrieved Nov. 3, 2017], Retrieved from the Internet, URL: <https://www.mylifeunit.com/Vacuum-Insulated-Lunch-Box-Thermal-Insulating-Stainless-Steel-Lunch-Containers-2.0L-0.53Gal>; 12 color pages, published date unknown but for the purposes of patent prosecution presumably more than a year prior to the filing of the present application.

650ml Stainless Steel Vacuum Insulation Barrels Boxes Portable Lunch Box Soup Bucket [online], [retrieved Nov. 3, 2017], Retrieved from the Internet, URL: <http://www.11street.my/productdetail/650ml-stainless-steel-vacuum-insulation-barrels-12481058>; 3 color pages, published date unknown but for the purposes of patent prosecution presumably more than a year prior to the filing of the present application.

Insulated Lunch Box with Lunch Bag Stainless Steel Food Carrier/ Food Container/Tiffin Containers Portion Control Containers/ Thermos/Indian Tiffin for Hot Food—Hold Warm for 3 Hours, 1.5L [online], [retrieved Nov. 3, 2017], Retrieved from the Internet, URL: <https://www.amazon.com/Insulated-Stainless-Carrier-Container-Containers/dp/B01N11KHMP>; 11 color pages, published date unknown but for the purposes of patent prosecution presumably more than a year prior to the filing of the present application.

Haers 1.7L 2.2L Hot Food Thermos 304 Stainless Steel Insulated-Thermal Lunch Box with Spoon Thermos Bento with Food Containers [online], [retrieved Nov. 3, 2017], Retrieved from the Internet, URL: <https://www.aliexpress.com/item/Haers-1-7L-2-2L-Hot-Food-Thermal-Container-304-Stainless-Steel-Insulated-Thermal-Lunch-Box/32558078179.html?spm=2114.40010708.4.34.fogSYz>; 3 color pages, published date unknown but for the purposes of patent prosecution presumably more than a year prior to the filing of the present application.

Flagship Thermos Insulated Stainless Steel Lunch Boxes for Adults 600ml/800ml/1000ml [online], [retrieved Nov. 3, 2017], Retrieved from the Internet, URL: <http://www.globalsources.com/si/AS/

zhekiang-Haoqi/6008831883155/odt/Flagship-Thermos-Insulated-Stainless-Steel-Lunch-Boxes/1091882260.htm>; 3 color pages, published date unknown but for the purposes of patent prosecution presumably more than a year prior to the filing date of the present application.

Camel Flasks Stainless Steel Lunch Box, 1.8 Liters [online], [retrieved Nov. 3, 2017], Retrieved from the Internet, URL: <http://mudraretail.com/product/camel-flasks-stainless-steel-lunch-box-1-8-liters>; 3 color pages, published date unknown but for the purposes of patent prosecution presumably more than a year prior to the filing date of the present application.

Power Plus Stainless Steel Containers Lunch Box, 3-Pieces (h55) [online], [retrieved Nov. 3, 2017], Retrieved from the Internet, URL: <https://www.amazon.in/Power-Plus-Stainless-Containers-3-Pieces/dp/B00IUUWQ6>; 4 color pages, published date unknown but for the purposes of patent prosecution presumably more than a year prior to the filing date of the present application.

Stainless-Steel Vacuum Container, 9 oz. [online], [retrieved Nov. 3, 2017], Retrieved from the Internet, URL: <https://www.llbean.com/llb/shop/79228?feat=506838-GN3&page=stainless-steel-vacuum-container-9-oz&csp=f>; 6 color pages, published date unknown but for the purposes of patent prosecution presumably more than a year prior to the filing date of the present application.

Zojirushi 101 vol. 79, Sep. 2015 [online], [retrieved Nov. 3, 2017], Retrieved from the Internet, URL: <http://www.zojirushi.com/mailmagazine/back\_issue/101toppage\_sep15.html>; 6 color pages, published date unknown but for the purposes of patent prosecution presumably more than a year prior to the filing of the present application.

Insulated Thermal Bento Lunch Jar Zojirushi Classic [online], [retrieved Nov. 3, 2017], Retrieved from the Internet, URL: <https://casabento.com/shop/en/bento-boxes-zojirushi/369-insulated-thermal-bento-lunch-jar-zojirushi-classic-4974305197511.html>; 4 color pages, published date unknown but for the purposes of patent prosecution presumably more than a year prior to the filing of the present application.

Lunch box—Conservation des aliments [online], [retrieved Nov. 3, 2017], Retrieved from the Internet, URL: <https://www.boulangier.com/c/boite-de-rangement#message\_code=20> <https://www.boulangier.com/c/boite-de-rangement>; 63 color pages, published date unknown but for the purposes of patent prosecution presumably more than a year prior to the filing of the present application.

Thermos® 12-Ounce Vacuum-Insulated Food Jar with Microwaveable Container [online], [retrieved Nov. 3, 2017], Retrieved from the Internet, URL: <https://www.bedbathandbeyond.com/store/product/thermos-reg-12-ounce-vacuum-insulated-food-jar-with-microwaveable-container/1041717943>; 2 color pages, published date unknown but for the purposes of patent prosecution presumably more than a year prior to the filing of the present application.

Yeti. Drinkware. 2019. <URL:https://www.yeti.com/en\_US/drinkware>. (Year: 2019).

Yeti. Accessories. 2019. <URL:https://www.yeti.com/en\_US/accessories/for-rambler>. (Year: 2019).

\* cited by examiner

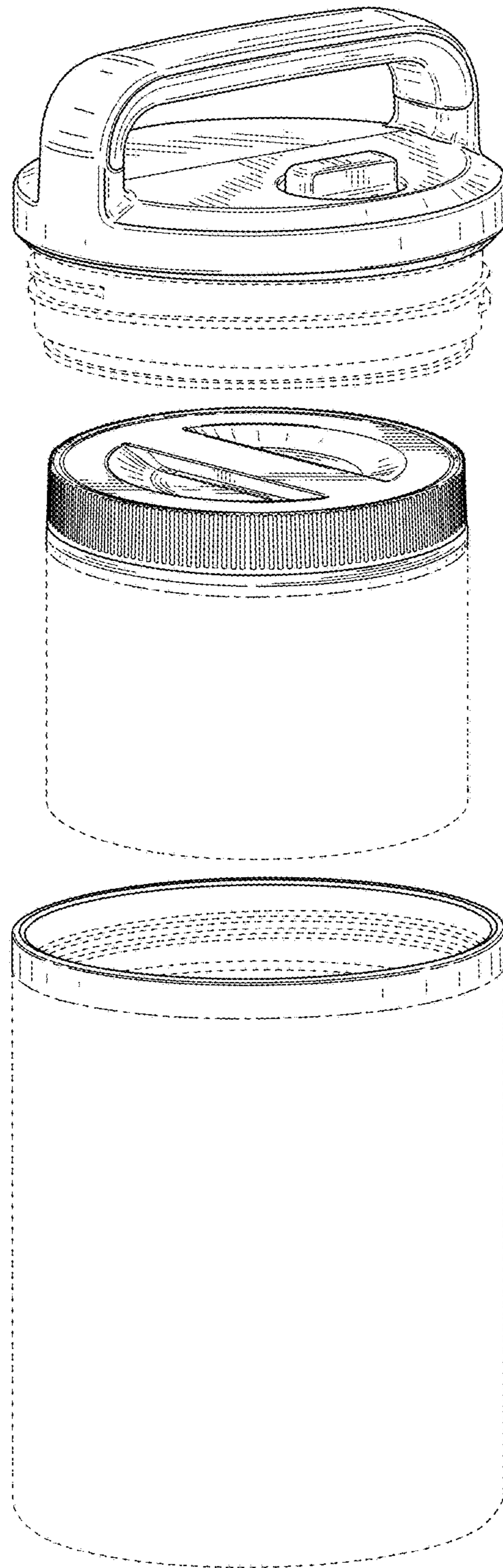


FIG. 1

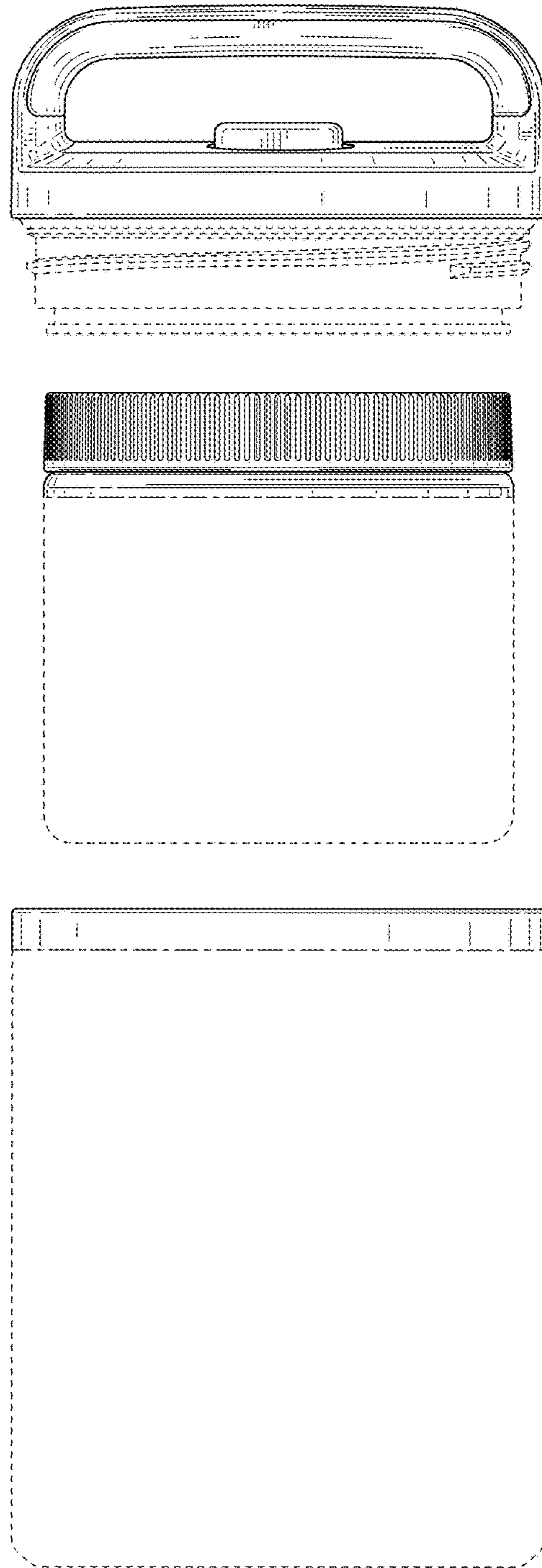


FIG. 2

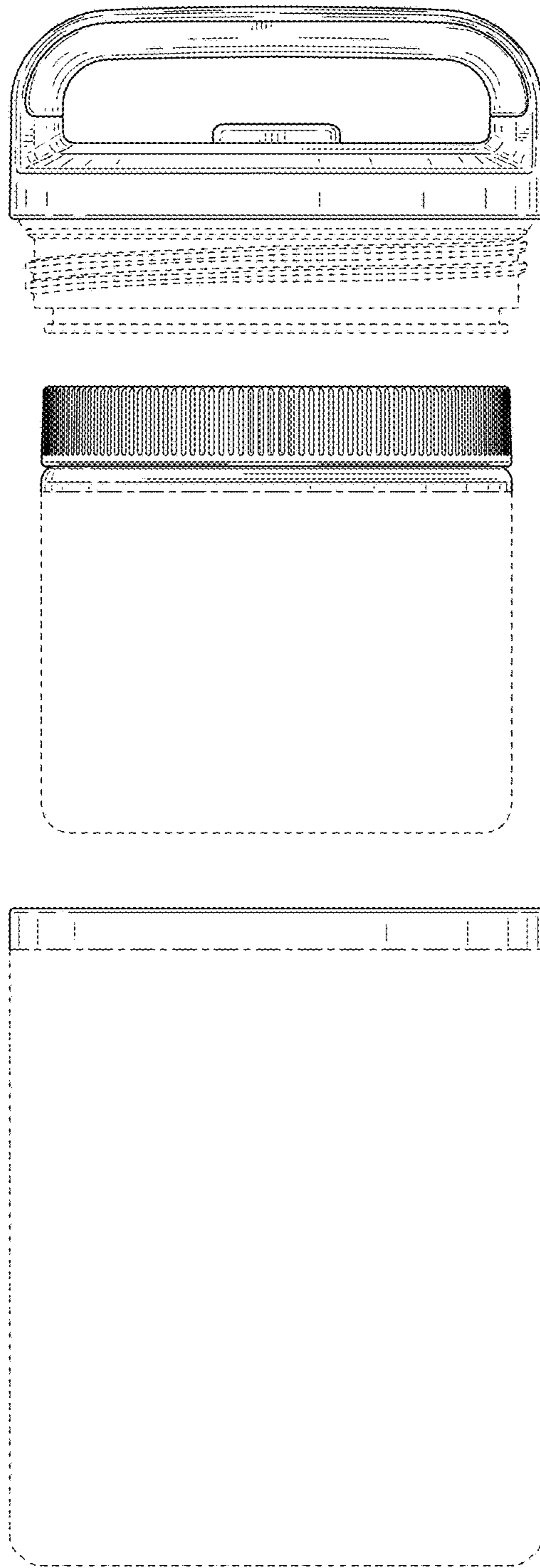


FIG. 3

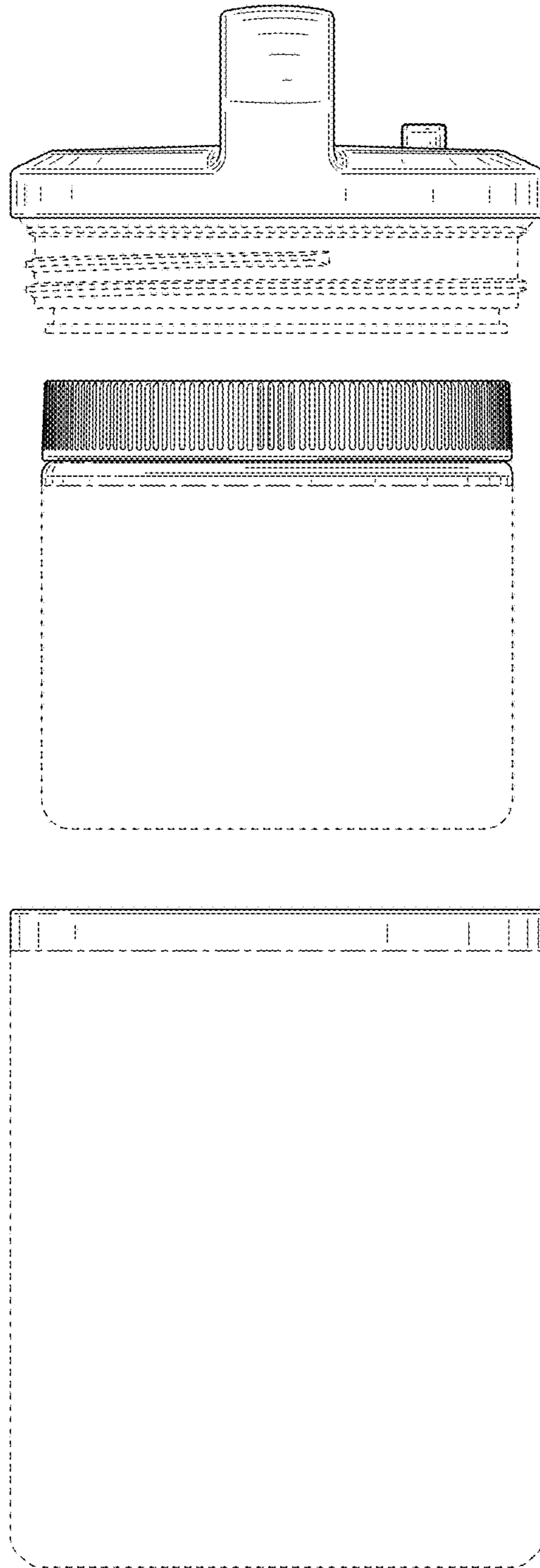


FIG. 4



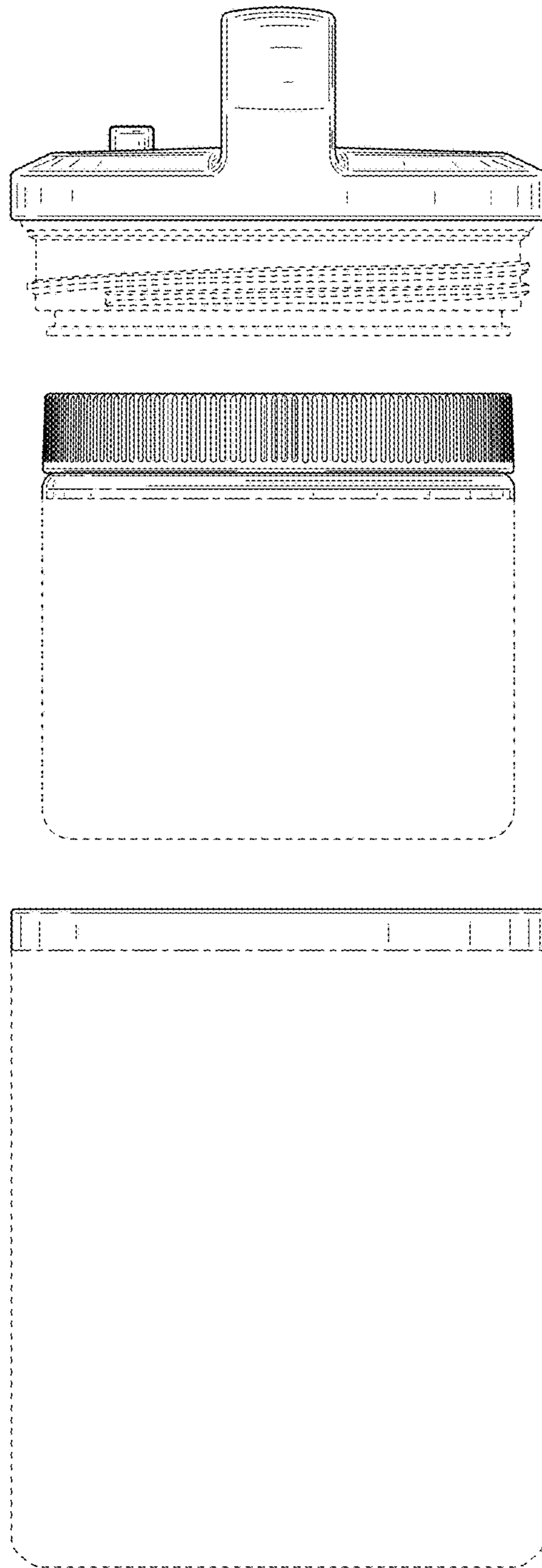


FIG. 5

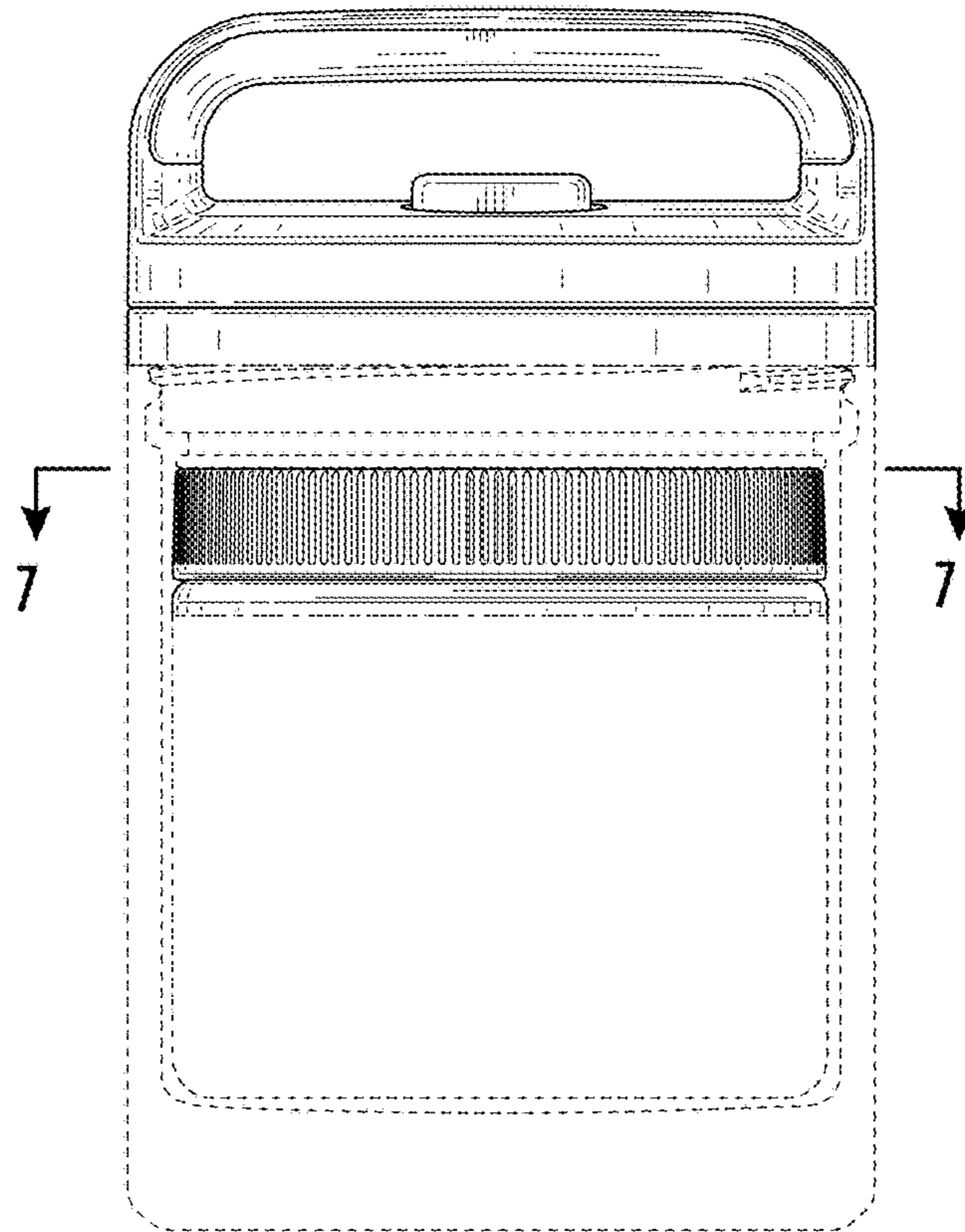


FIG. 6

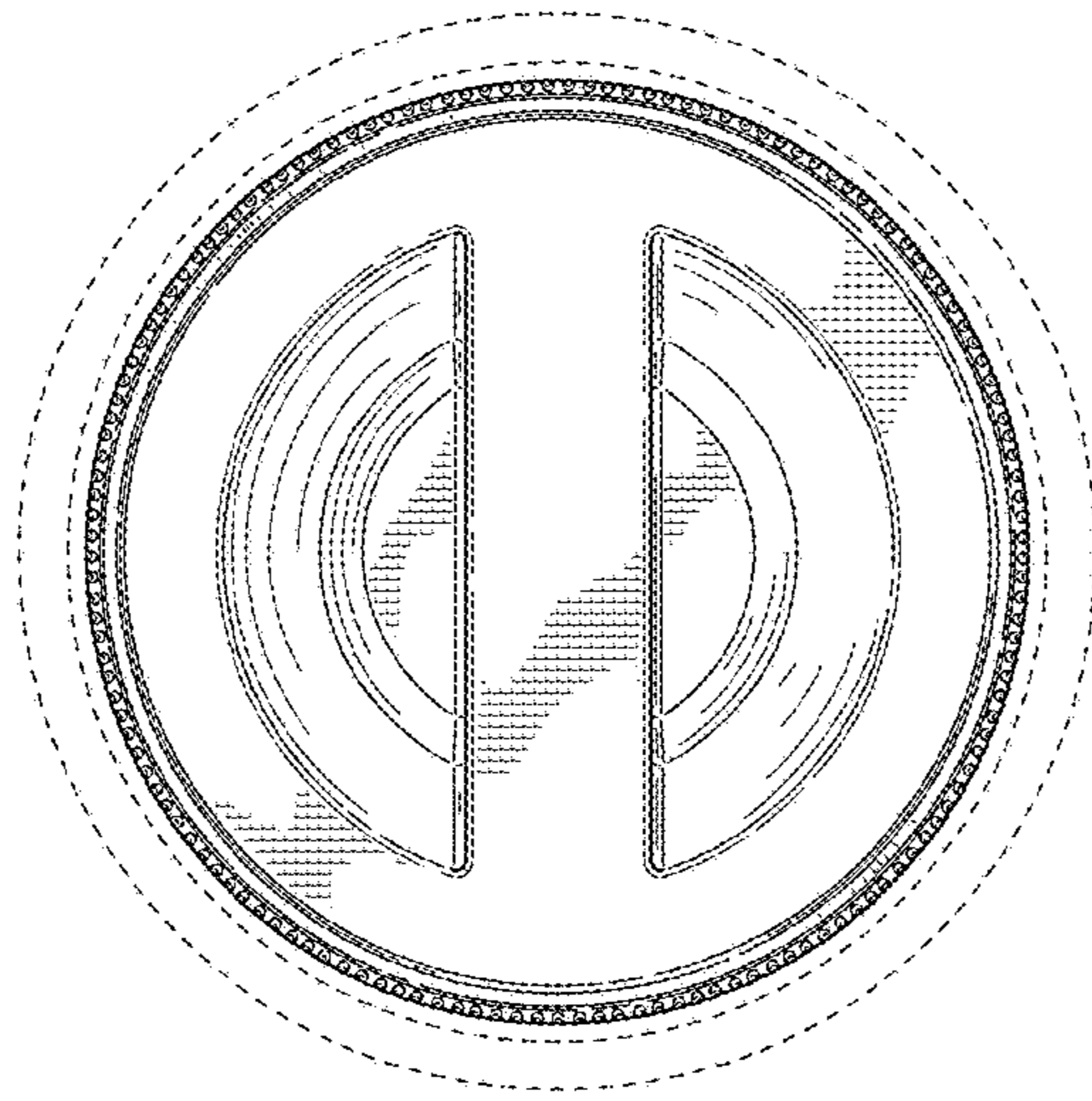


FIG. 7