

US00D878162S

(12) **United States Design Patent**
Iori

(10) **Patent No.:** **US D878,162 S**
(45) **Date of Patent:** **** Mar. 17, 2020**

- (54) **CONTAINER FOR FOOD PRODUCTS**
- (71) Applicant: **TECHFOOD S.N.C. DI IORI**
ANGELO E CASTAGNETTI
PAOLA, Castelnova di Sotto (IT)
- (72) Inventor: **Angelo Iori**, Reggio Emilia (IT)
- (**) Term: **15 Years**
- (21) Appl. No.: **29/610,687**
- (22) Filed: **Jul. 14, 2017**
- (51) **LOC (12) Cl.** **09-01**
- (52) **U.S. Cl.**
USPC **D7/602**
- (58) **Field of Classification Search**
USPC D6/515-517; 206/704, 528; 211/13.1,
211/49.1, 59.2, 194, 77, 78, 74, 71.01,
211/60.1, 70.6, 70.7; 221/45-46, 49, 66,
221/282, 284, 131, 92, 103, 123, 124,
221/191, 199; D7/600.1-600.4, 589,
D7/701-708, 590, 602, 601, 603, 604,
D7/605, 606, 608, 609, 610, 612, 613,
D7/614, 615, 628, 629, 630, 635, 388,
D7/389, 397
CPC A47F 1/08; A47B 77/16; B65D 71/50
See application file for complete search history.

- D310,327 S * 9/1990 Rinke D7/589
- D365,952 S * 1/1996 Gagnon D30/124
- D399,394 S * 10/1998 Rapaz D7/590
- 5,878,593 A * 3/1999 Lane F25D 3/08
165/183
- D414,636 S * 10/1999 Wiese D6/515
- D472,730 S * 4/2003 Sparkowski D6/515
- D476,502 S * 7/2003 Sparkowski D6/515
- 6,755,310 B1 * 6/2004 Hilton A47F 1/08
211/194
- D541,088 S * 4/2007 Nesci D6/515
- D653,100 S * 1/2012 Chen D8/356
- D698,606 S * 2/2014 Tsai D7/600.2
- D727,057 S * 4/2015 Frankel D6/518
- D733,453 S * 7/2015 Tschan D6/515
- D747,628 S * 1/2016 Kowalczyk D6/515
- D750,916 S * 3/2016 Tschan D6/515

(Continued)

Primary Examiner — Nathan M Johnston

(74) *Attorney, Agent, or Firm* — Laubshcer & Laubscher,
P.C.

(57) **CLAIM**

The ornamental design for a container for food products, as shown.

DESCRIPTION

FIG. 1 is a top, front perspective view of a container for food products showing my new design in an assembled configuration;

FIG. 2 is a top, rear perspective view thereof;

FIG. 3 is top, side perspective view of a lower member of the container of FIG. 1 separated for clarity;

FIG. 4 is a front, side perspective view of the member of FIG. 3;

FIG. 5 is a top, side perspective view of an upper member of the container of FIG. 1 separated for clarity; and,

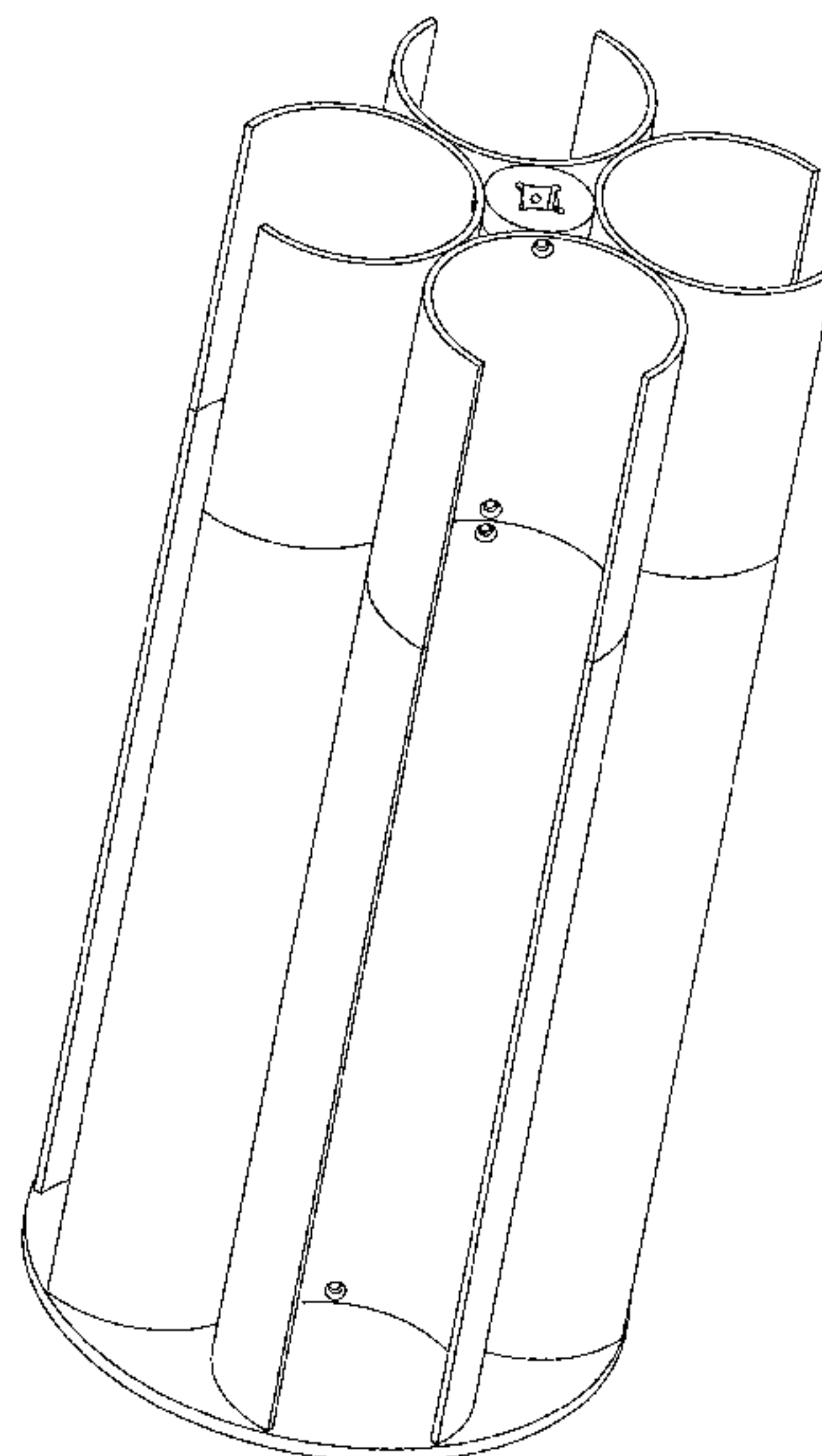
FIG. 6 is a front, side perspective view of the member of FIG. 5.

1 Claim, 6 Drawing Sheets

(56) **References Cited**

U.S. PATENT DOCUMENTS

- D76,662 S * 10/1928 Buchenau D6/678
- 3,181,923 A * 5/1965 Guillon A47B 17/006
108/148
- D233,120 S * 10/1974 Dawson 211/74
- D245,048 S * 7/1977 Pool D6/516
- D248,128 S * 6/1978 Mineo D6/514
- 4,842,149 A * 6/1989 Vining A47F 1/08
211/59.2
- 4,889,245 A * 12/1989 Rinke B65D 71/50
211/49.1



(56)

References Cited

U.S. PATENT DOCUMENTS

D750,918 S *	3/2016	Tschan	D6/515
D751,316 S *	3/2016	Tschan	D6/515
D779,852 S *	2/2017	Covert	D6/516
2005/0139562 A1 *	6/2005	Chen	A47B 57/545 211/187

* cited by examiner

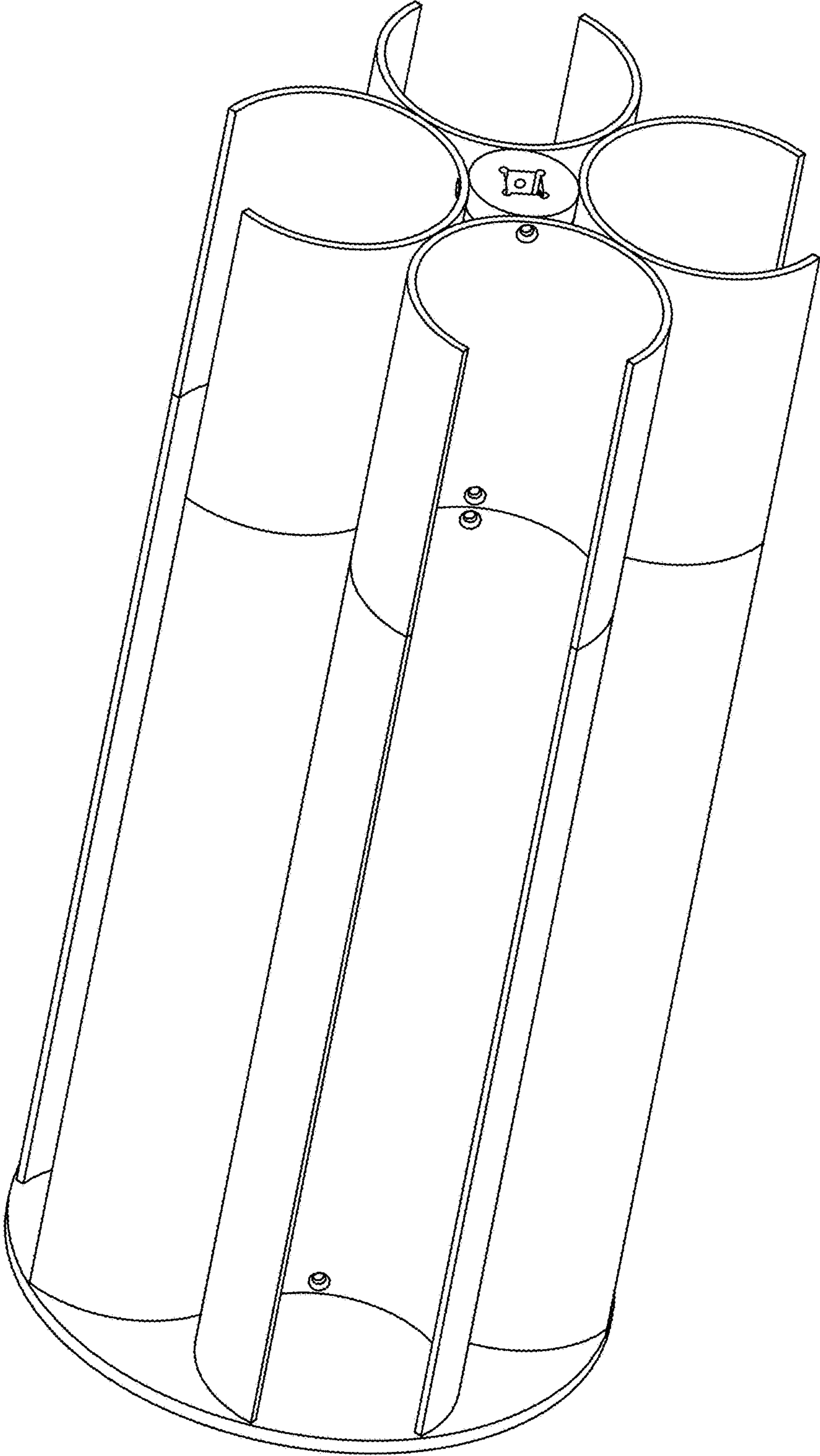


FIG. 1

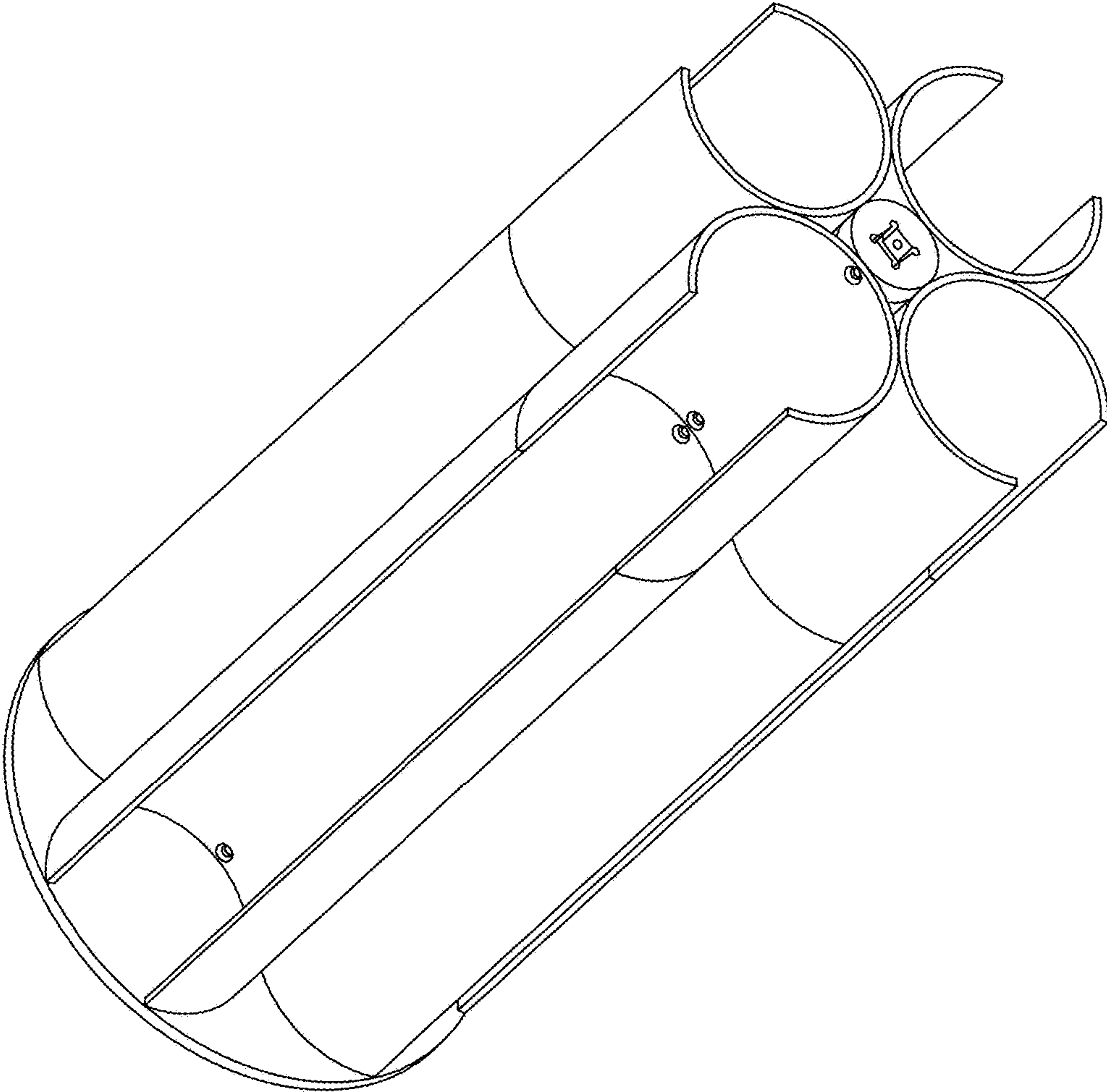


FIG. 2

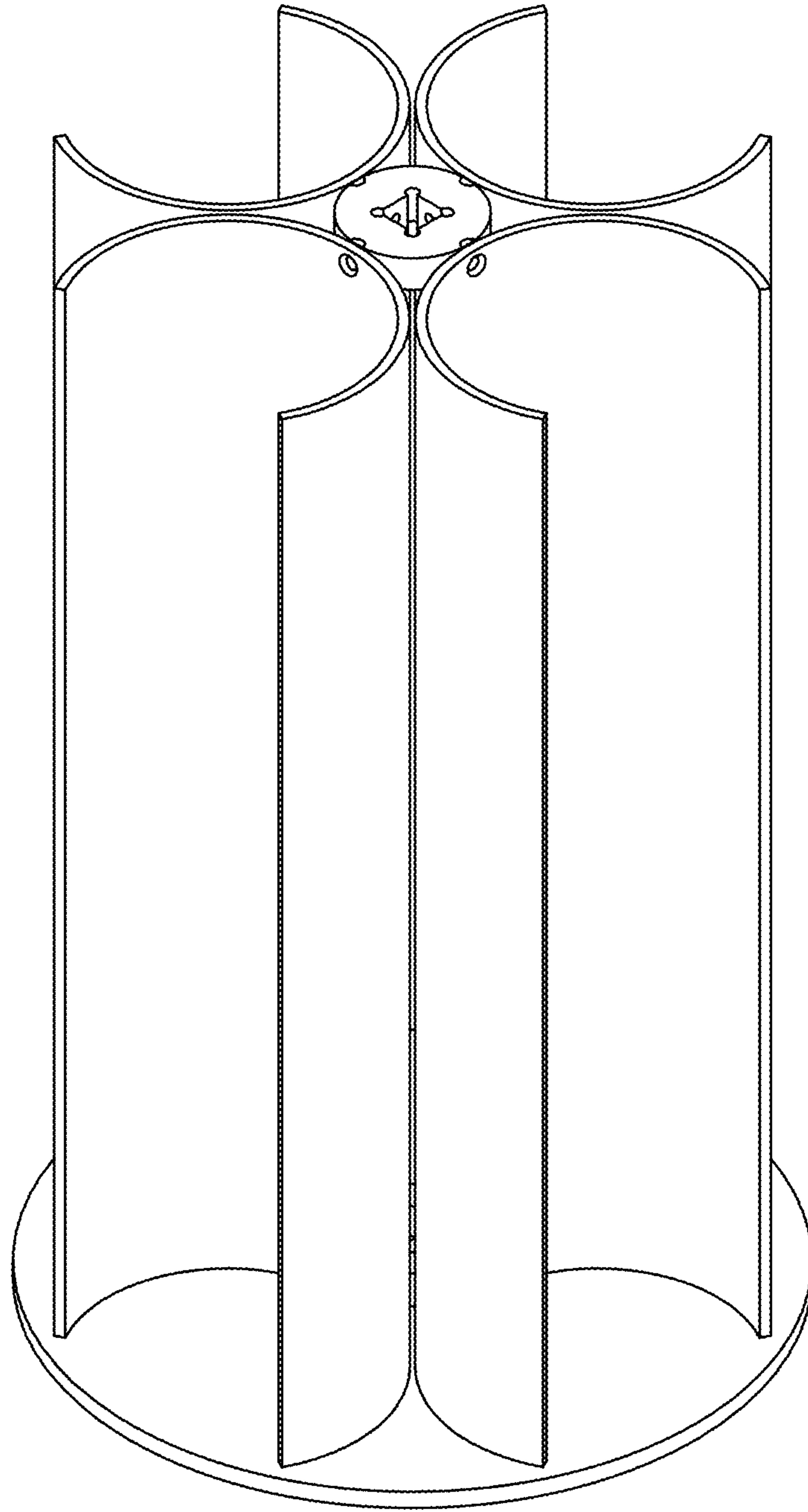


FIG. 3

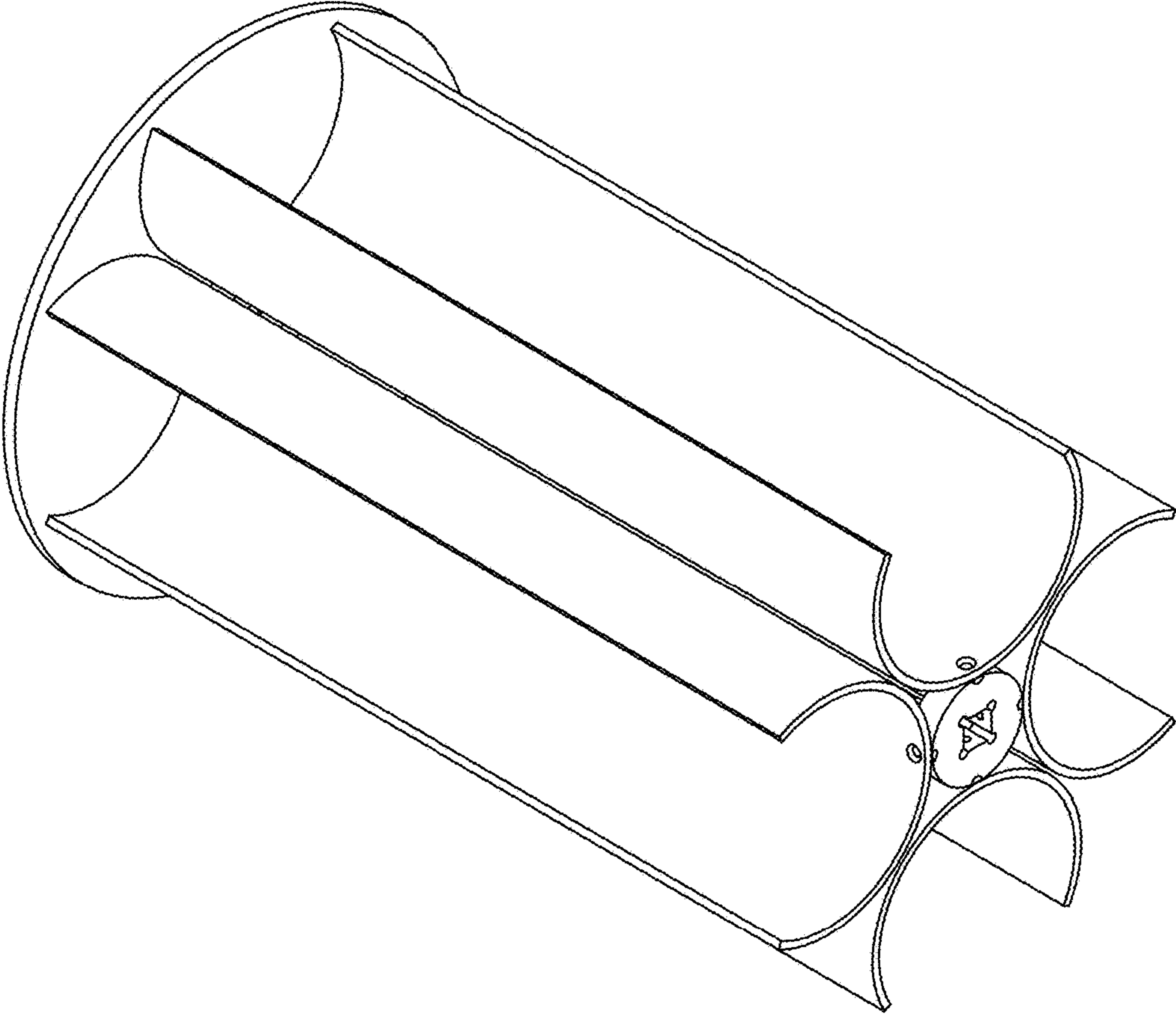


FIG. 4

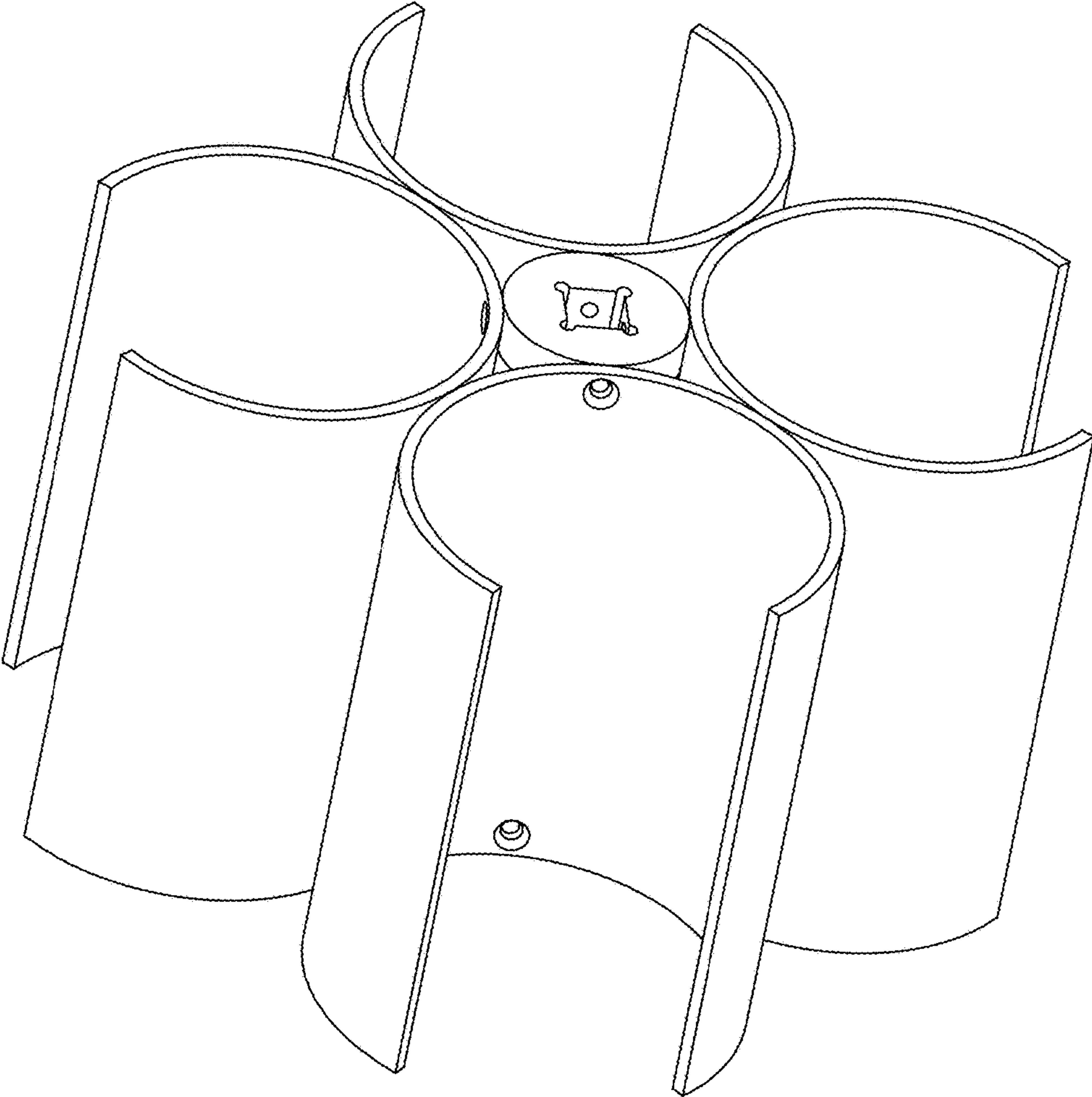


FIG. 5

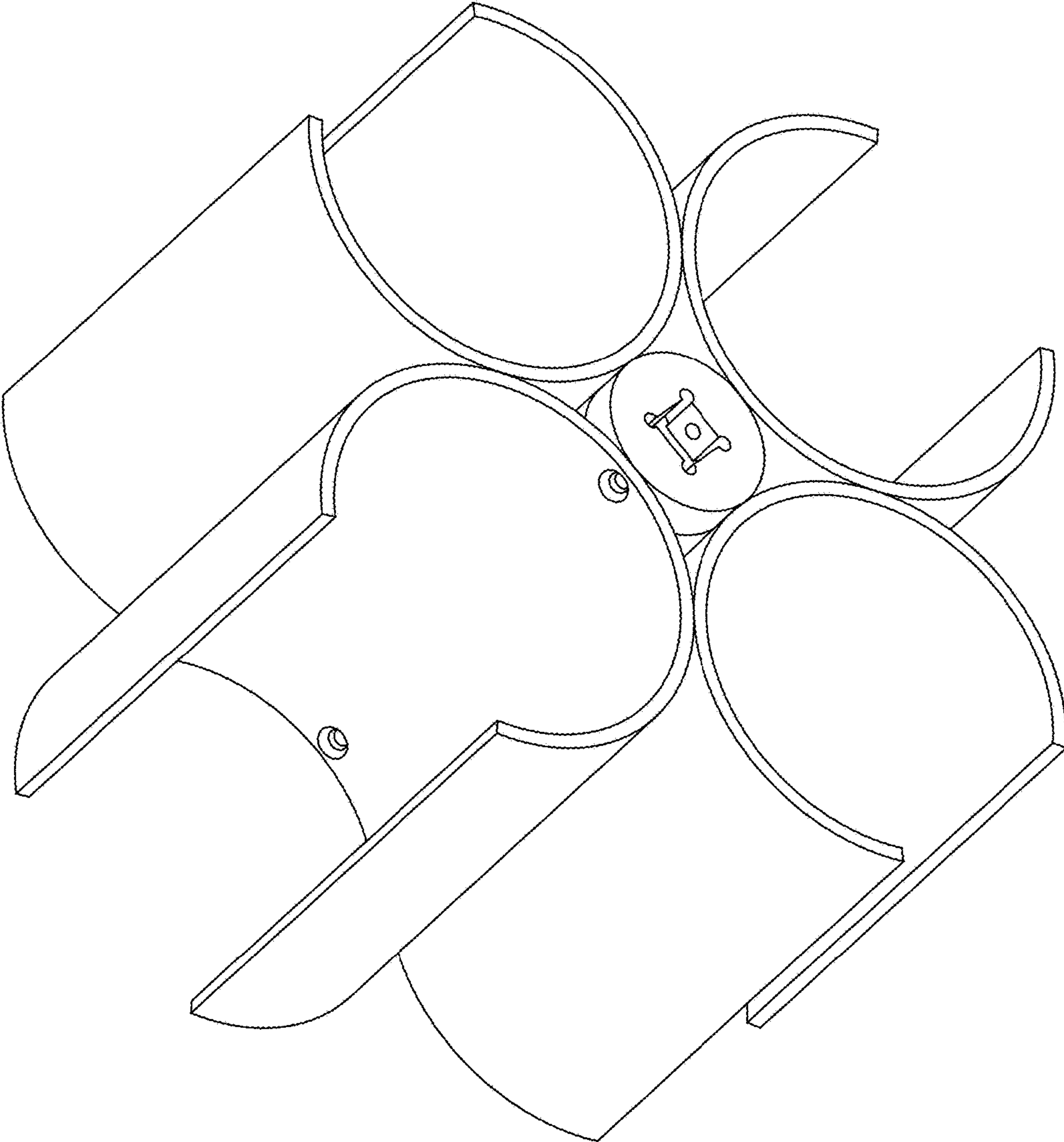


FIG. 6