



US00D878161S

(12) **United States Design Patent**
Kallman

(10) **Patent No.:** **US D878,161 S**
(45) **Date of Patent:** **** Mar. 17, 2020**

(54) **LAP DINER**

(71) Applicant: **Jeri Kallman**, Woodland, CA (US)

(72) Inventor: **Jeri Kallman**, Woodland, CA (US)

(**) Term: **15 Years**

(21) Appl. No.: **29/692,643**

(22) Filed: **May 28, 2019**

Related U.S. Application Data

(63) Continuation of application No. 15/891,275, filed on Feb. 7, 2018, now abandoned.

(51) **LOC (12) Cl.** **07-01**

(52) **U.S. Cl.**
USPC **D7/552.2**

(58) **Field of Classification Search**
USPC D7/500, 550.1, 552.2, 554.2, 554.3, 601,
D7/602, 388, 396.1

(Continued)

(56) **References Cited**

U.S. PATENT DOCUMENTS

4,537,646 A * 8/1985 Hoyle B29C 63/04
156/212

D517,833 S * 3/2006 Jennings D6/406.5
(Continued)

Primary Examiner — Kelley A Donnelly

(74) *Attorney, Agent, or Firm* — Rylander & Associates
PC; Kirt A. Rylander

(57) **CLAIM**

The ornamental design for a lap diner, as shown and described.

DESCRIPTION

FIG. 1 is a perspective exploded view of an embodiment of the lap diner with a round dinner platter and a rectangular pillow.

FIG. 2 is a top down view of the lap diner with the dinner platter detached from the pillow.

FIG. 3 is a top down view of the lap diner with the dinner platter detached from the pillow

FIG. 4 is a side view of the lap diner with the dinner platter detached from the pillow

FIG. 5 is another side view of the lap diner with the dinner platter detached from the pillow

FIG. 6 is a front view of the lap diner with the dinner platter detached from the pillow

FIG. 7 is another view of the lap diner with the dinner platter detached from the pillow

FIG. 8 is a perspective view of the lap diner with the dinner platter attached to the pillow.

FIG. 9 is a perspective exploded view of another embodiment of the lap diner with a rectangular dinner platter and a rectangular pillow.

FIG. 10 is a top down view of the lap diner with the dinner platter detached from the pillow.

FIG. 11 is a top down view of the lap diner with the dinner platter detached from the pillow

FIG. 12 is a side view of the lap diner with the dinner platter detached from the pillow

FIG. 13 is another side view of the lap diner with the dinner platter detached from the pillow

FIG. 14 is a front view of the lap diner with the dinner platter detached from the pillow

FIG. 15 is another view of the lap diner with the dinner platter detached from the pillow

FIG. 16 is a perspective view of the lap diner with the dinner platter attached to the pillow.

FIG. 17 is a perspective exploded view of another embodiment of the lap diner with a round dinner platter and a round pillow.

FIG. 18 is a top down view of the lap diner with the dinner platter detached from the pillow.

FIG. 19 is a top down view of the lap diner with the dinner platter detached from the pillow

FIG. 20 is a side view of the lap diner with the dinner platter detached from the pillow

FIG. 21 is another side view of the lap diner with the dinner platter detached from the pillow

(Continued)

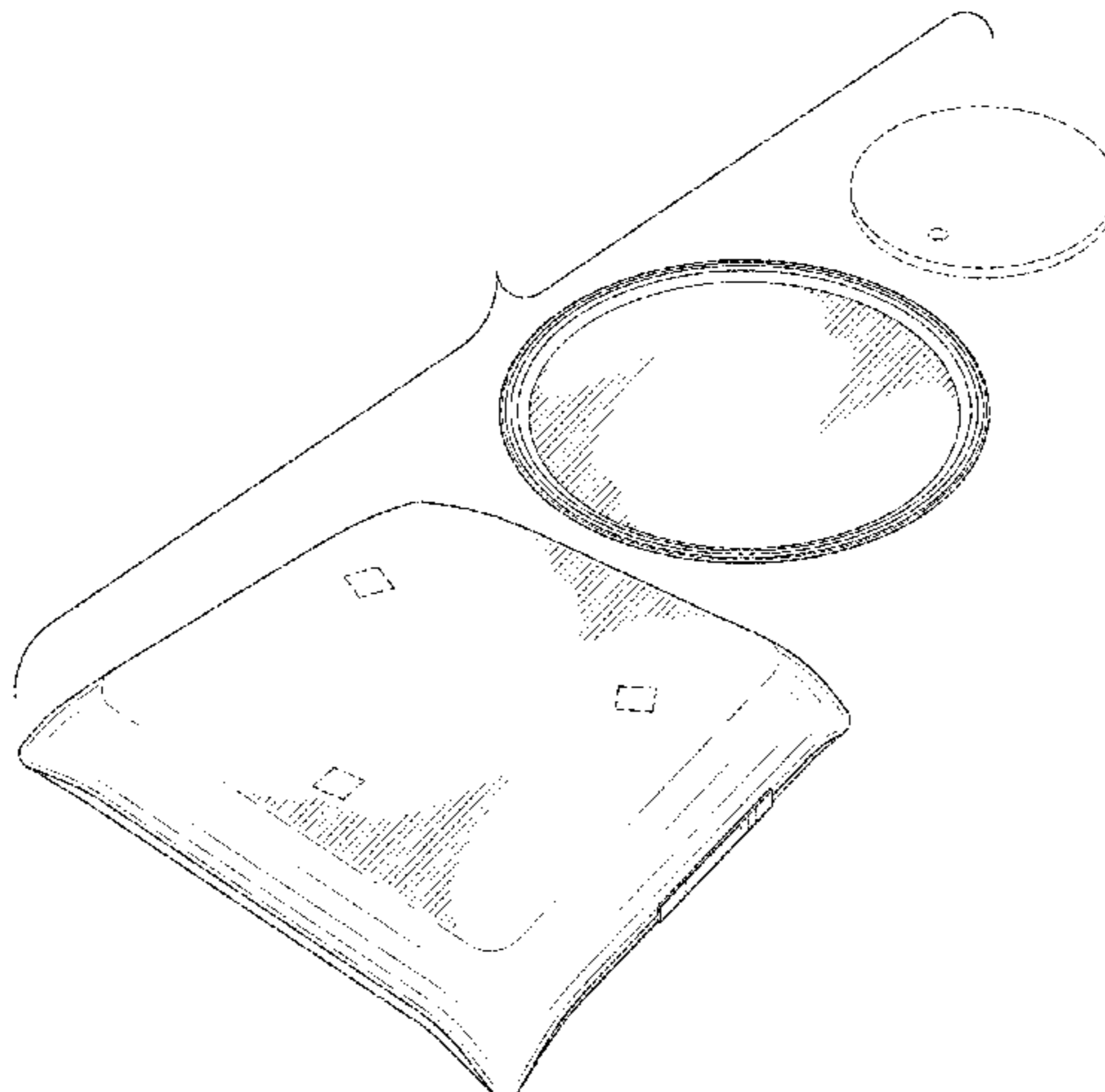


FIG. 22 is a front view of the lap diner with the dinner platter detached from the pillow
FIG. 23 is another view of the lap diner with the dinner platter detached from the pillow
FIG. 24 is a perspective view of the lap diner with the dinner platter attached to the pillow.
FIG. 25 is a perspective exploded view of another embodiment of the lap diner with a rectangular dinner platter and a round pillow.
FIG. 26 is a top down view of the lap diner with the dinner platter detached from the pillow.
FIG. 27 is a top down view of the lap diner with the dinner platter detached from the pillow
FIG. 28 is a side view of the lap diner with the dinner platter detached from the pillow
FIG. 29 is another side view of the lap diner with the dinner platter detached from the pillow
FIG. 30 is a front view of the lap diner with the dinner platter detached from the pillow
FIG. 31 is another view of the lap diner with the dinner platter detached from the pillow
FIG. 32 is a perspective view of the lap diner with the dinner platter attached to the pillow; and,
FIG. 33 is an exploded perspective view of a lap diner.

Broken lines are for illustrative purposes, and do not form part of the claimed design.

1 Claim, 33 Drawing Sheets

(58) **Field of Classification Search**
CPC A47G 19/00; A47G 19/02; A47G 23/0608;
A47G 23/0633
See application file for complete search history.

(56) **References Cited**

U.S. PATENT DOCUMENTS

D653,873	S	*	2/2012	Chauss	D6/406.3
D701,089	S	*	3/2014	Lee	D7/554.3
D709,732	S	*	7/2014	Garzon	D7/552.2
D727,660	S	*	4/2015	Matzinger	D6/601
D774,361	S	*	12/2016	Laurain	D6/616
D807,705	S	*	1/2018	Laurain	D7/555
D812,433	S	*	3/2018	Kwok	D7/553.4
D836,990	S	*	1/2019	Hakim	D7/553.4
D850,858	S	*	6/2019	Roaks	D7/555

* cited by examiner

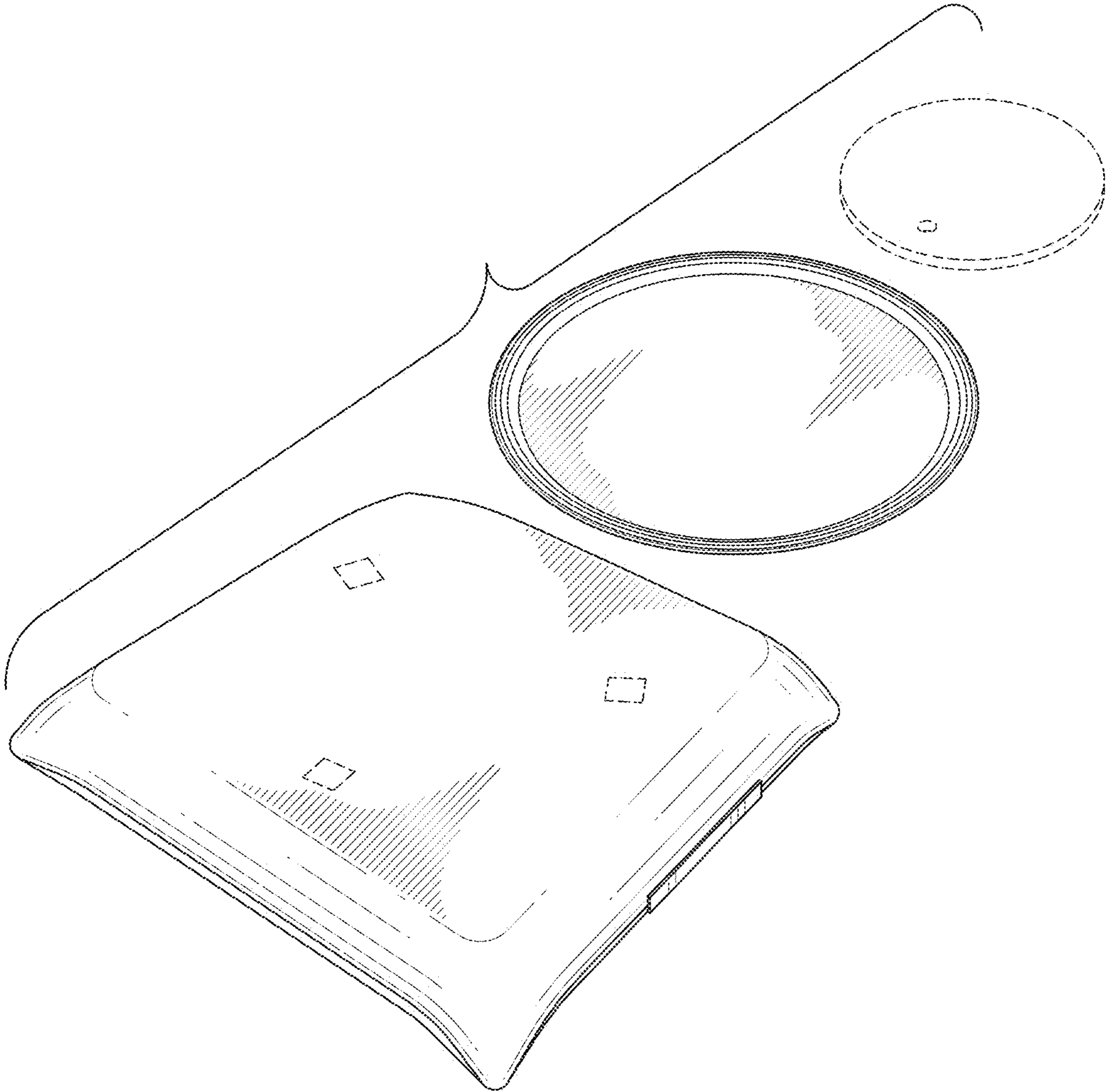


FIG. 1

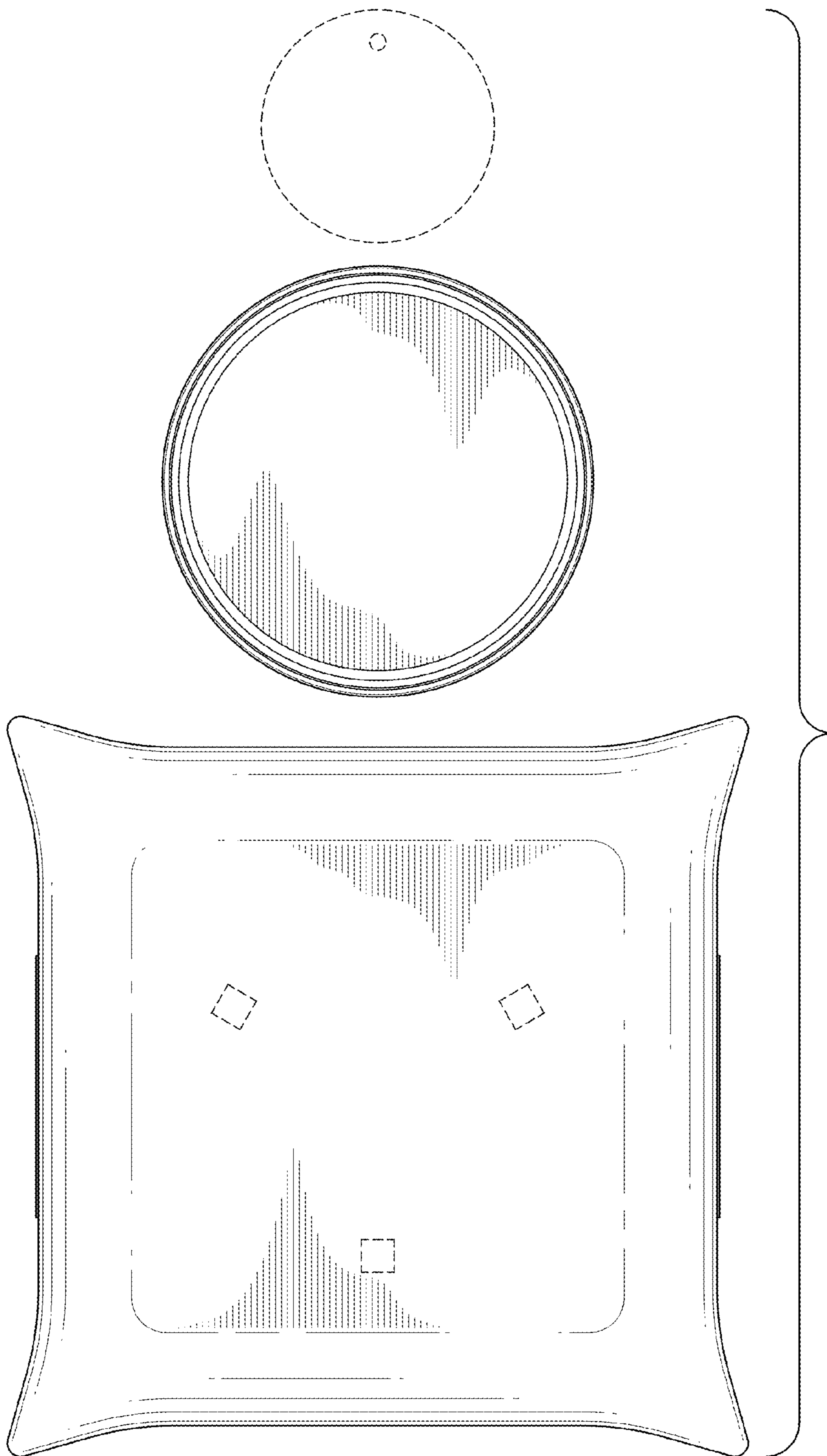


FIG. 2

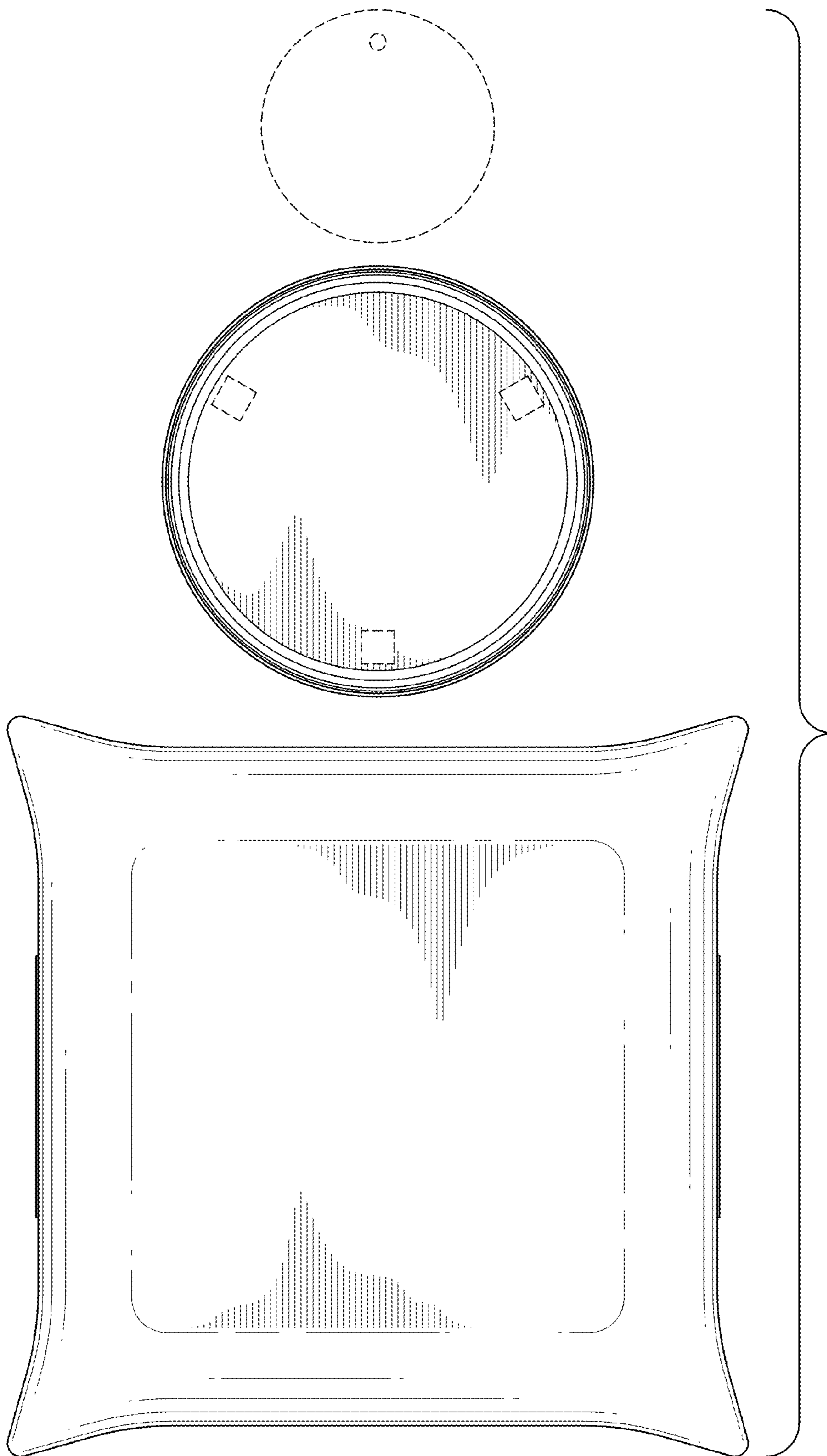


FIG.3

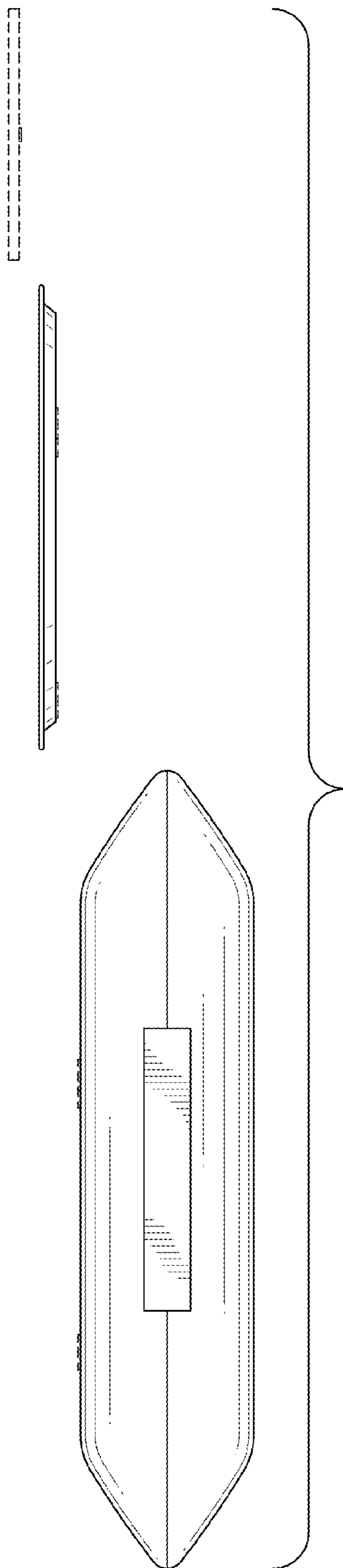


FIG.4

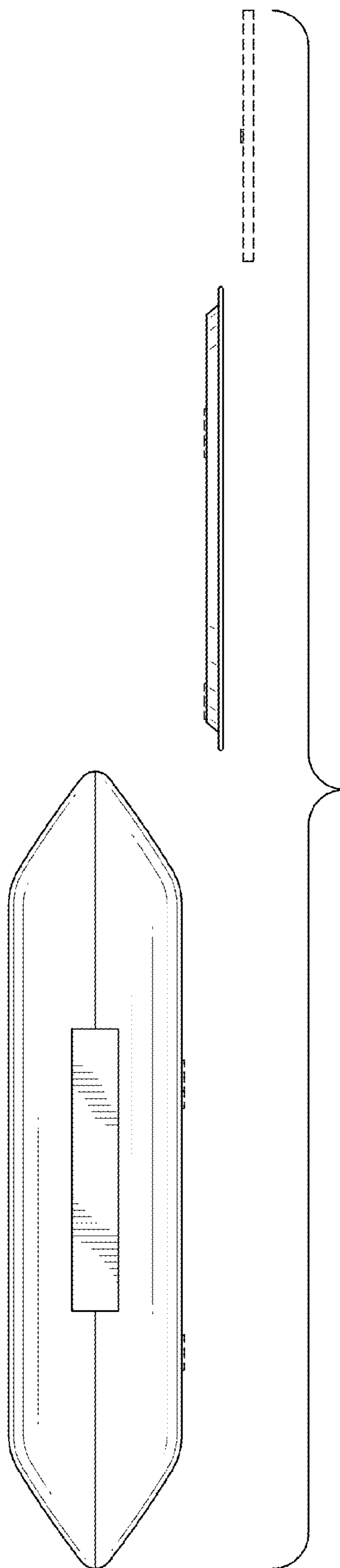


FIG.5

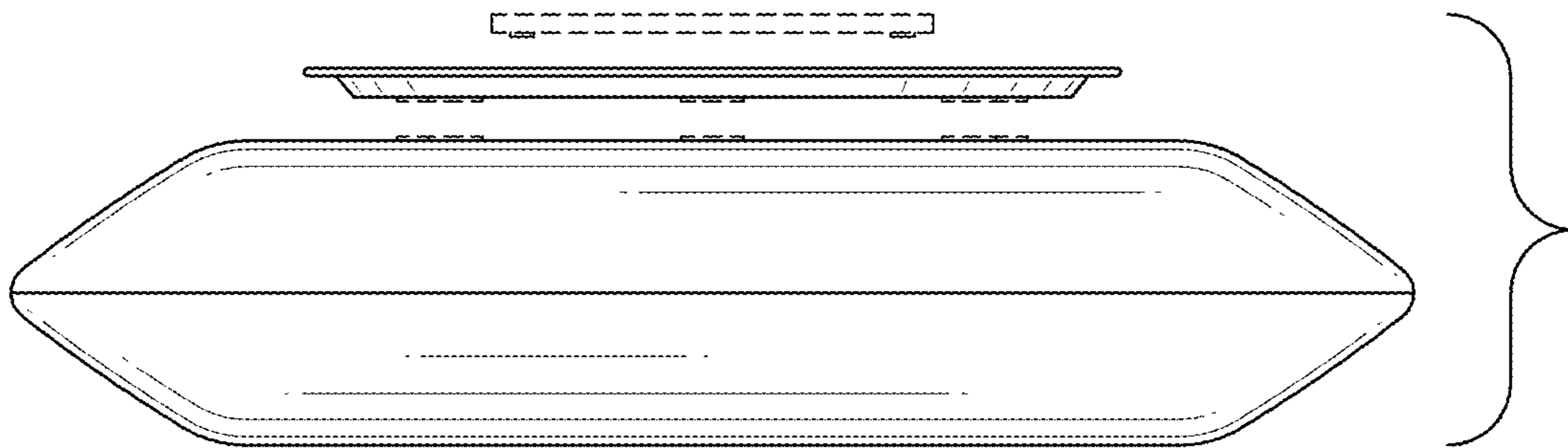


FIG. 6

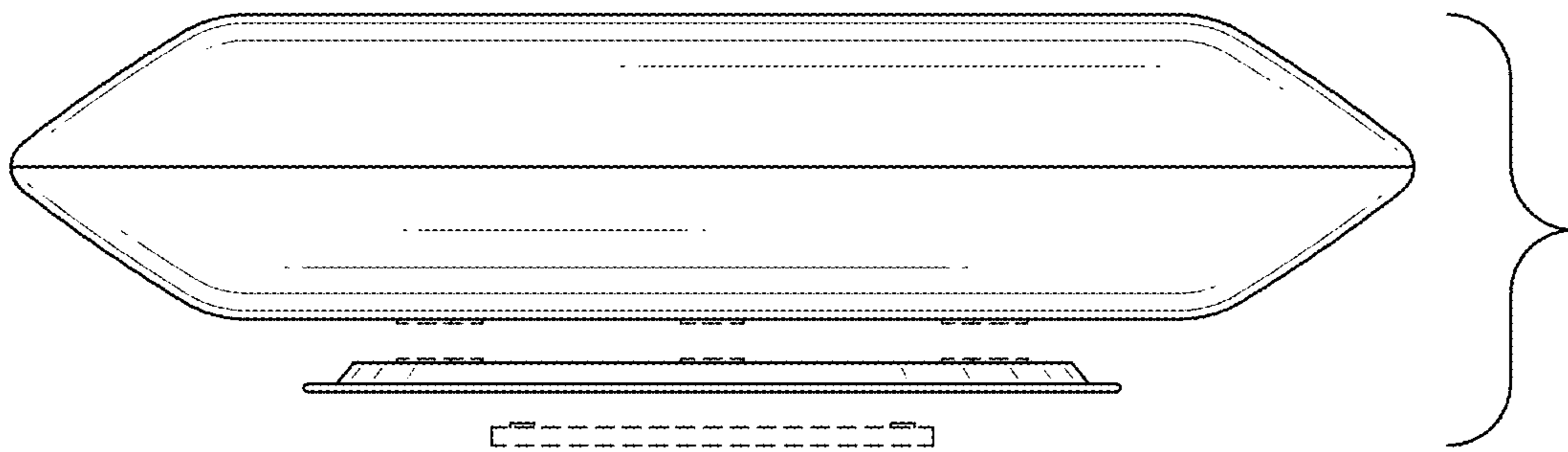


FIG. 7

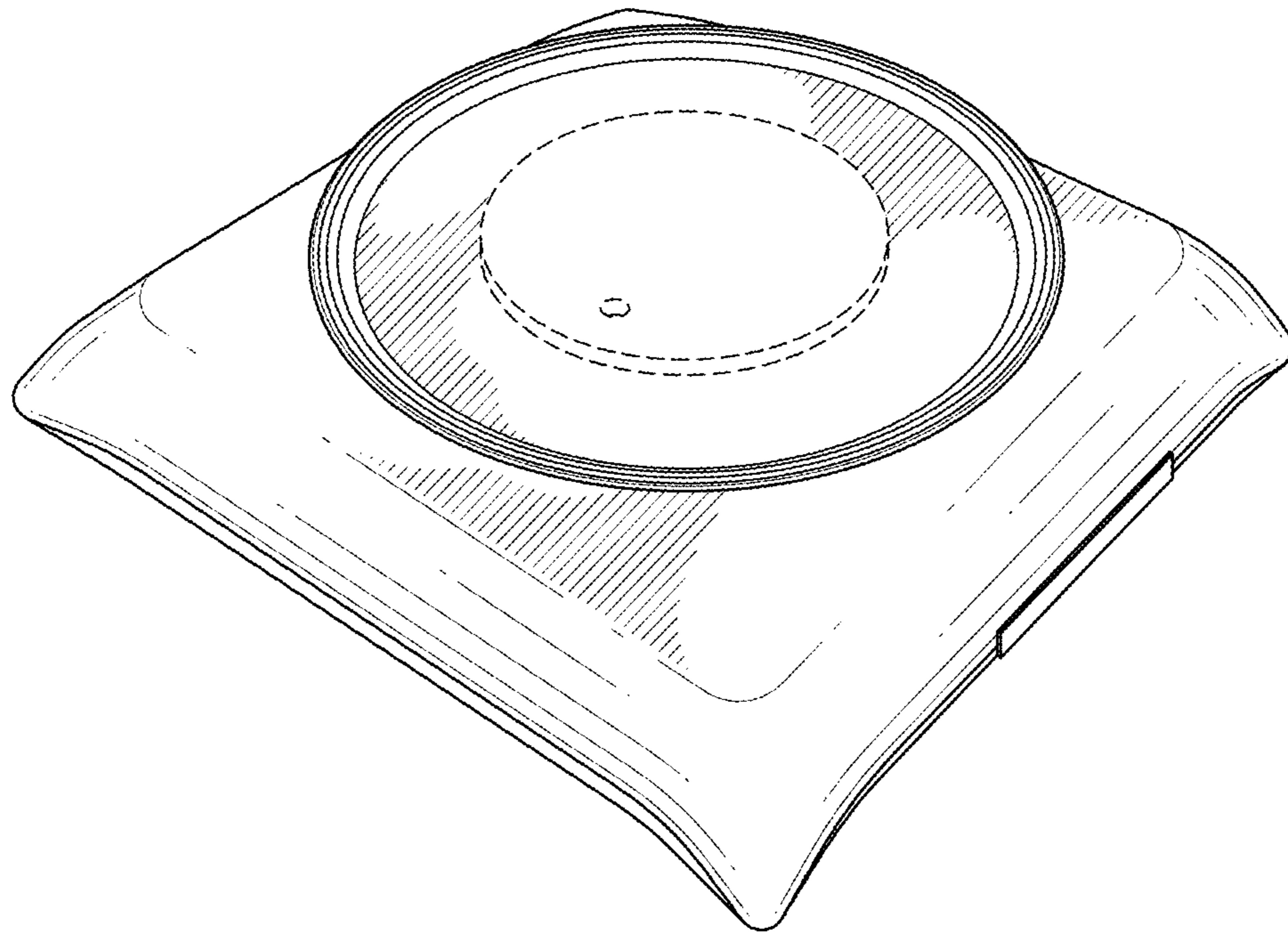


FIG. 8

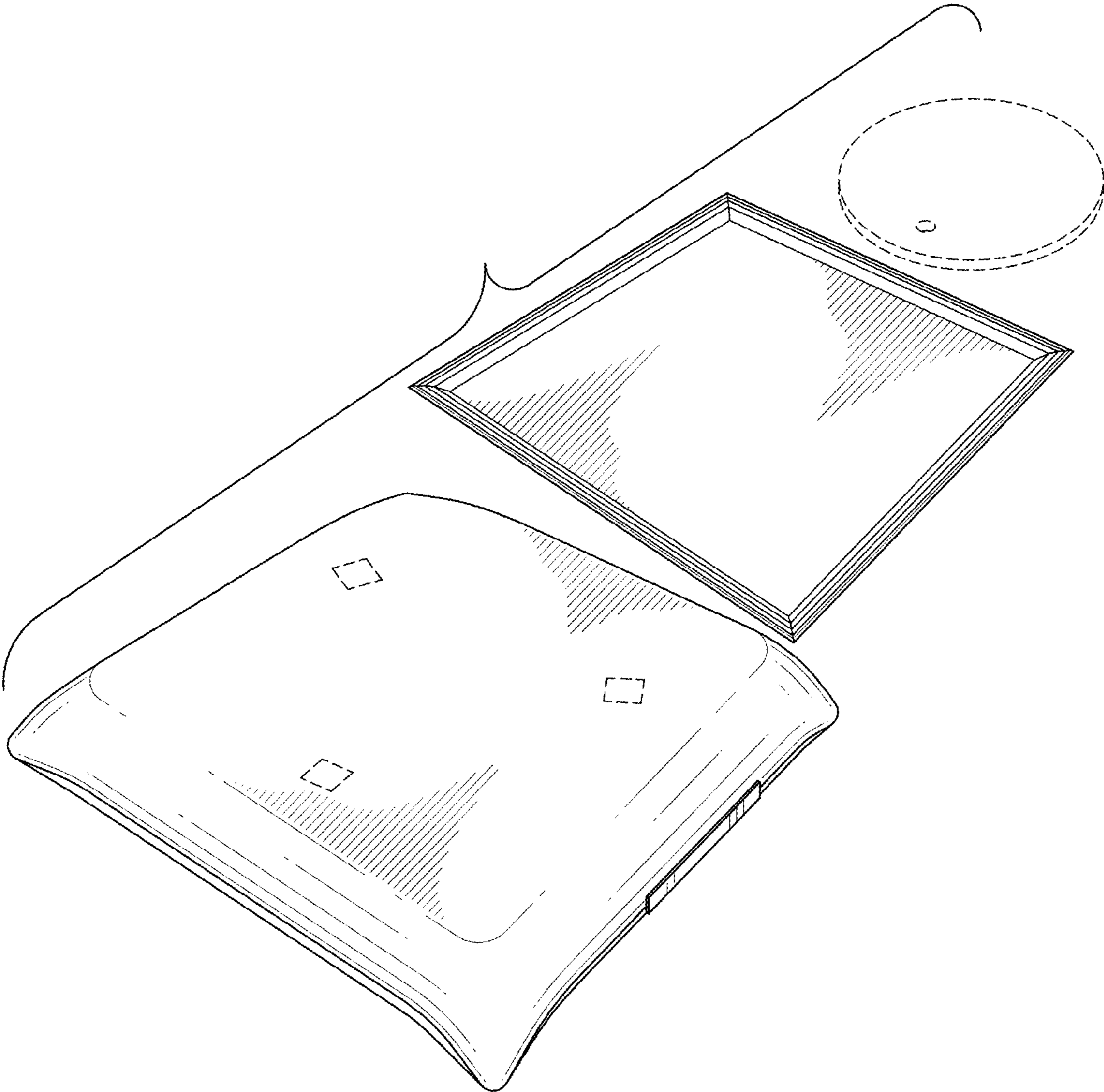


FIG.9

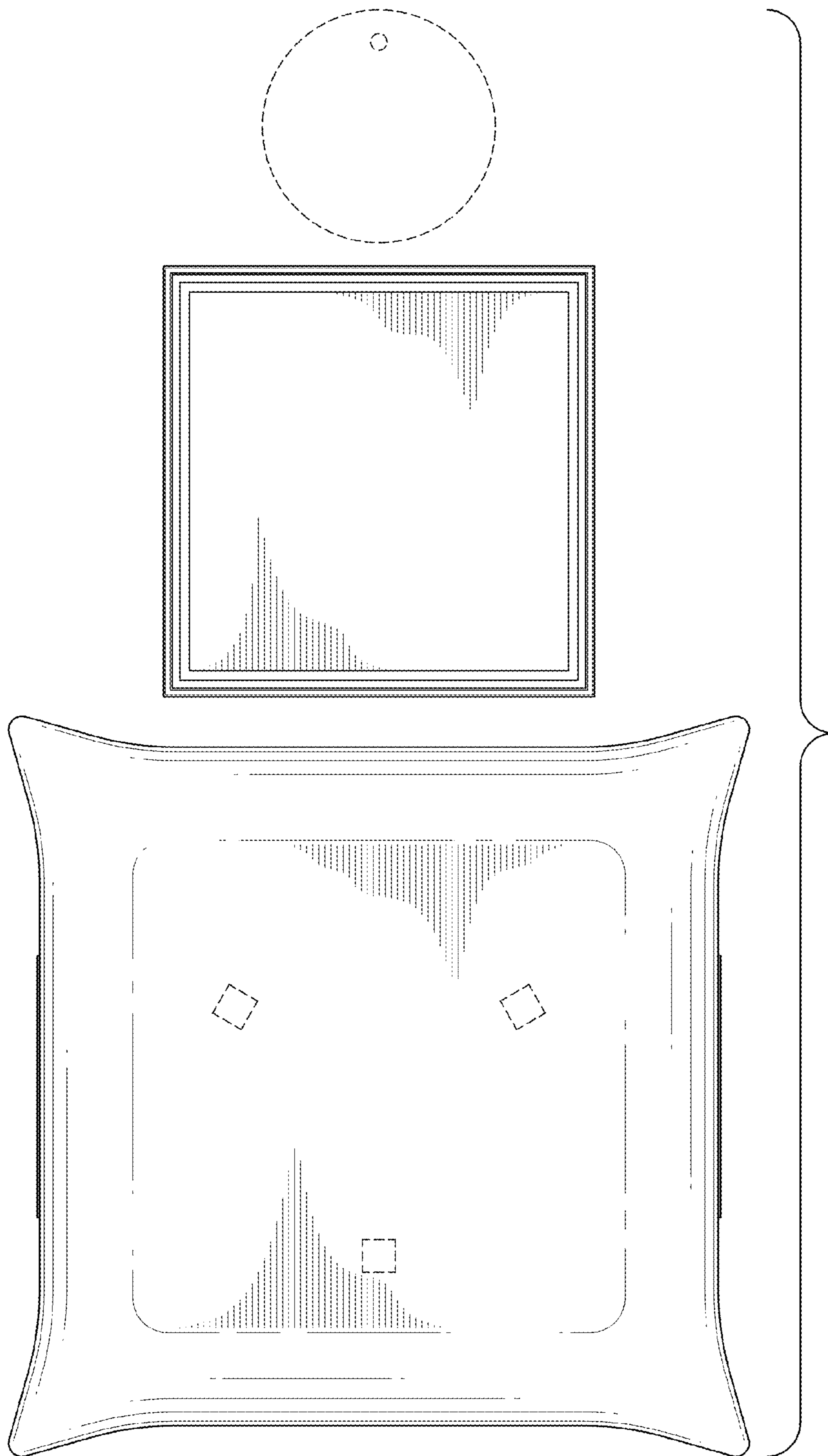


FIG. 10

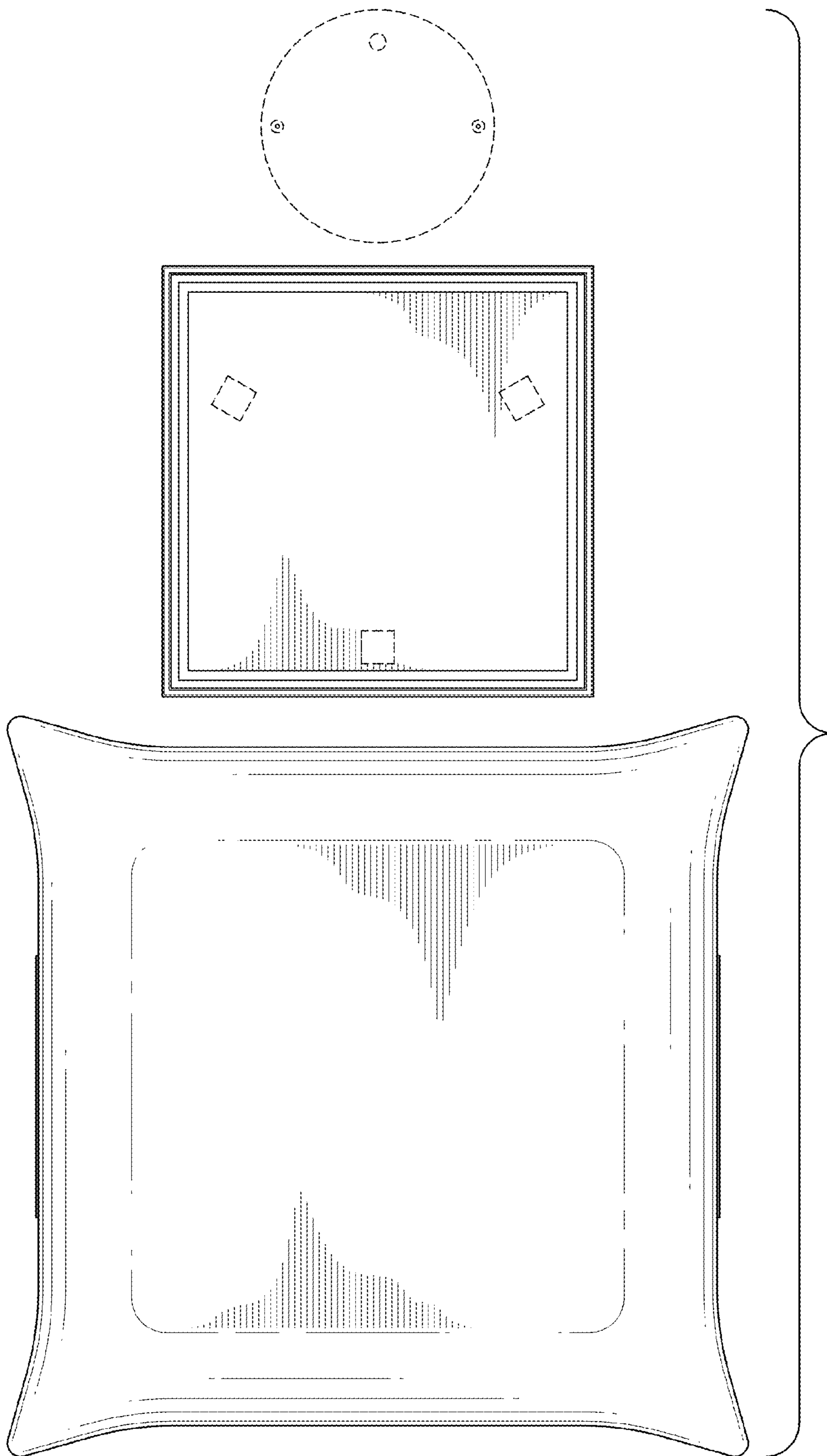


FIG. 11

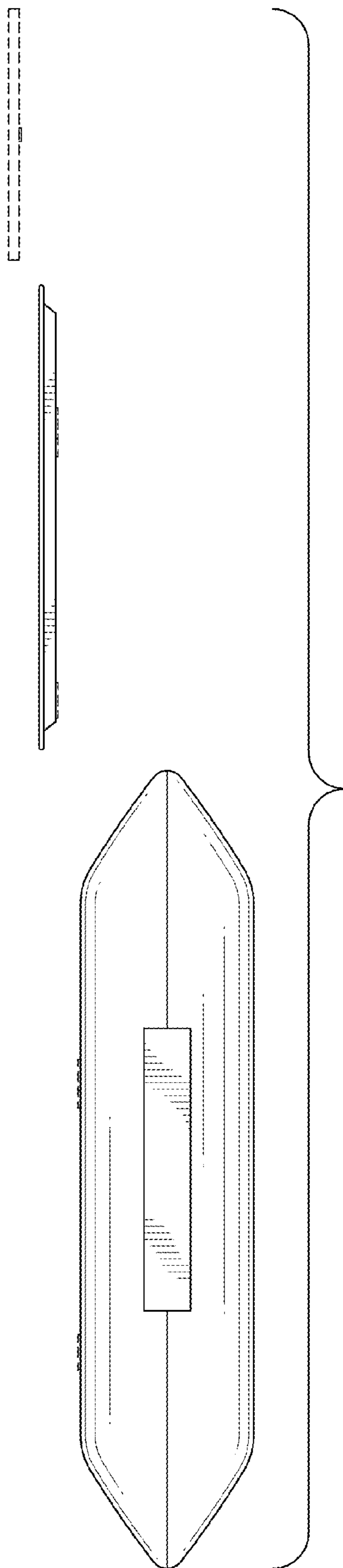


FIG. 12

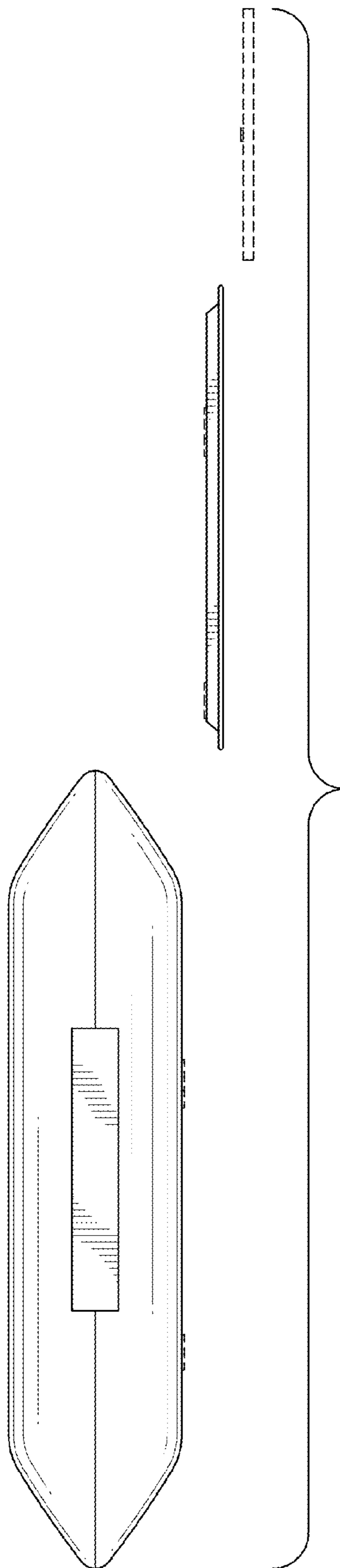


FIG. 13



FIG. 14

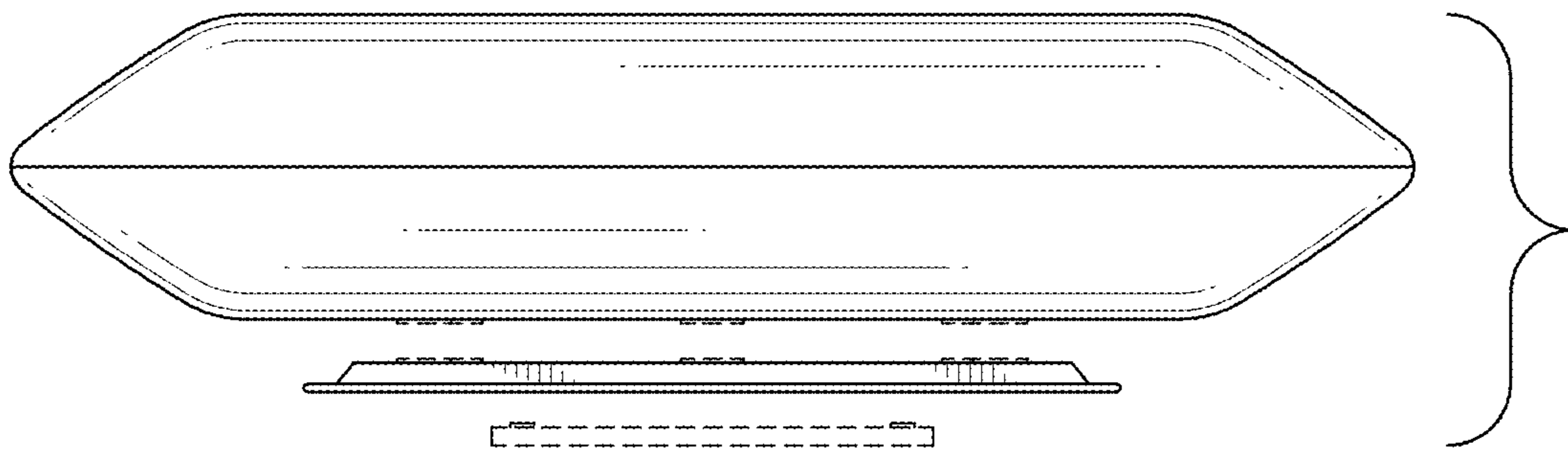


FIG. 15

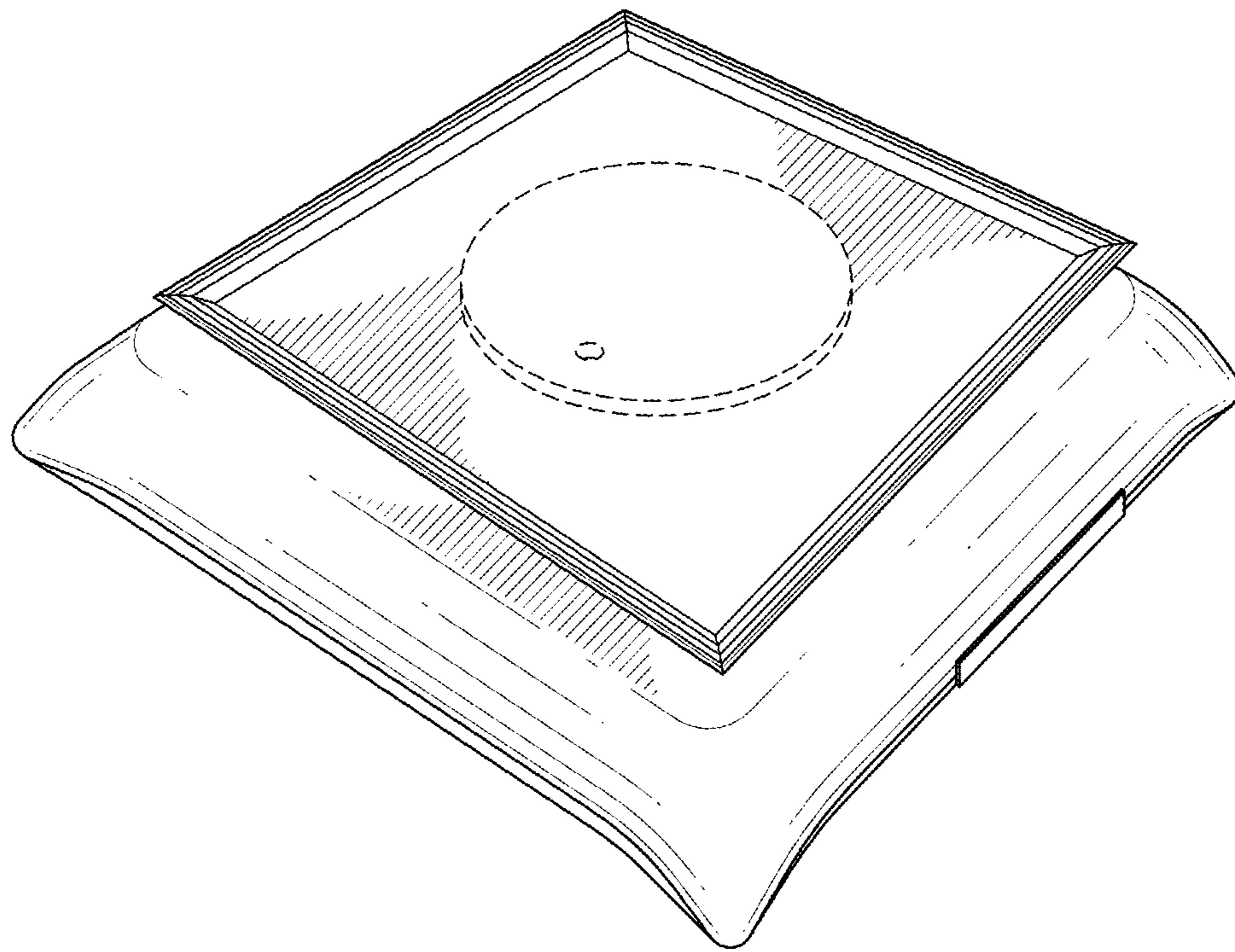


FIG. 16

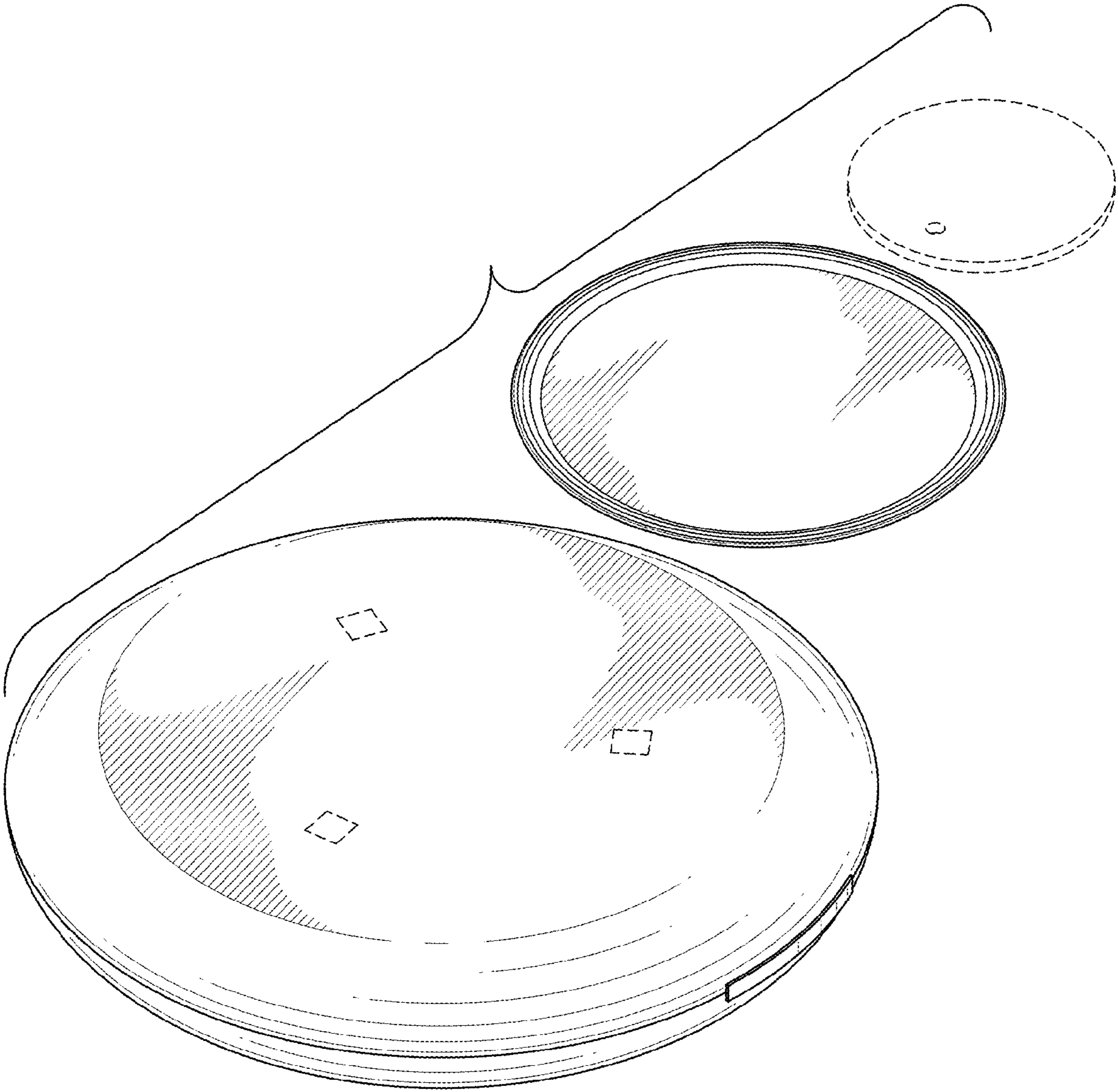


FIG. 17

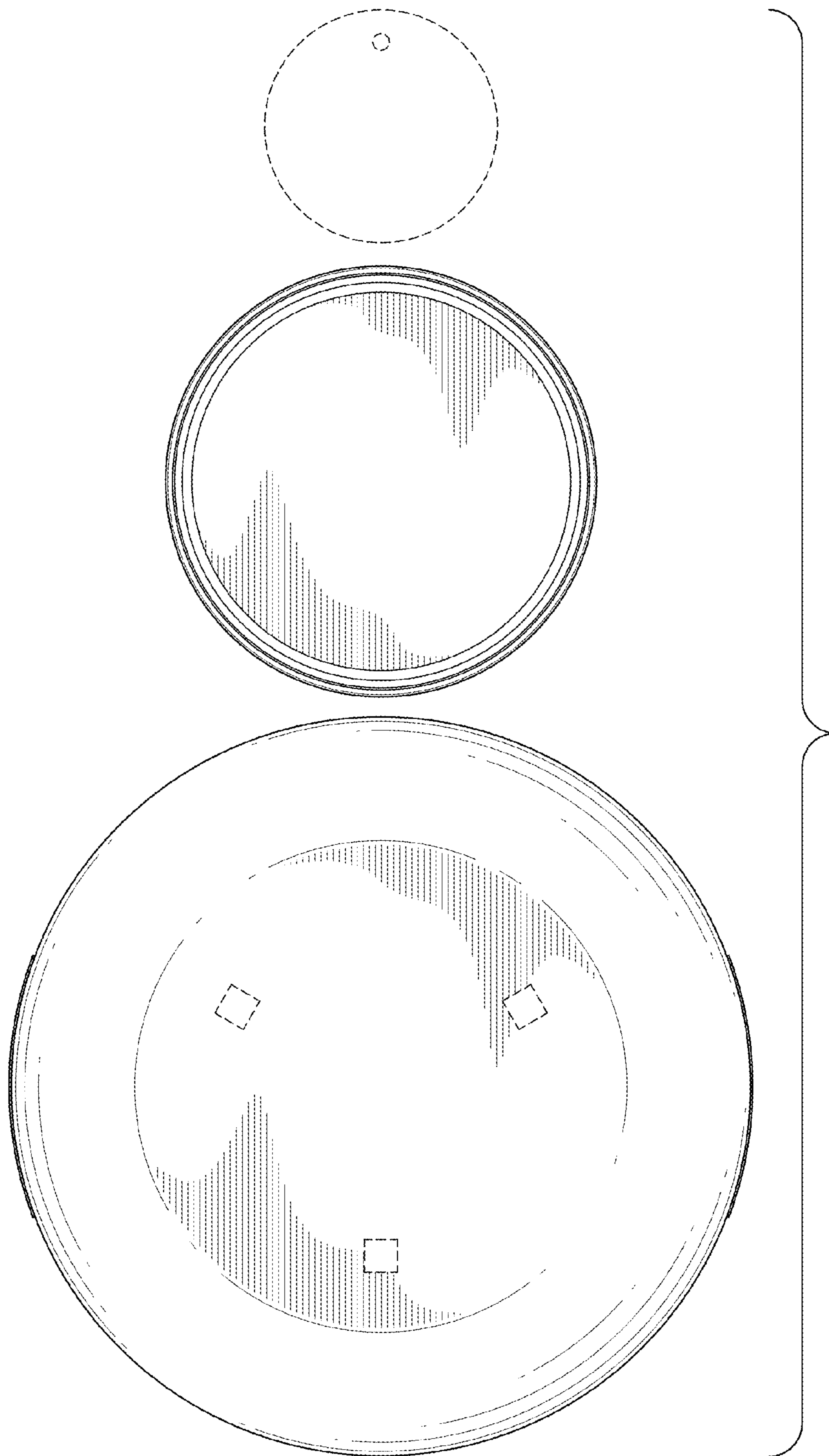


FIG. 18

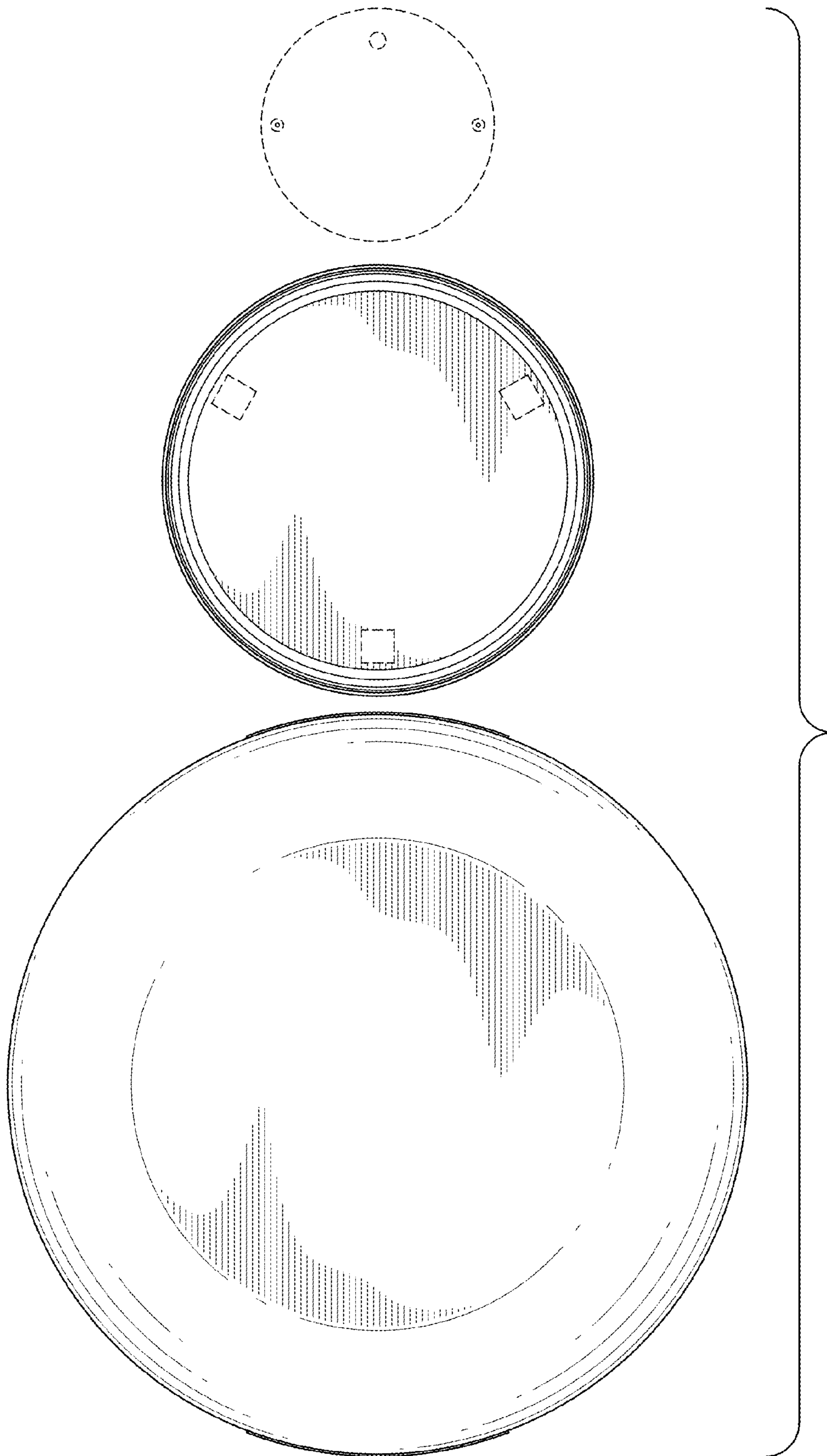


FIG. 19

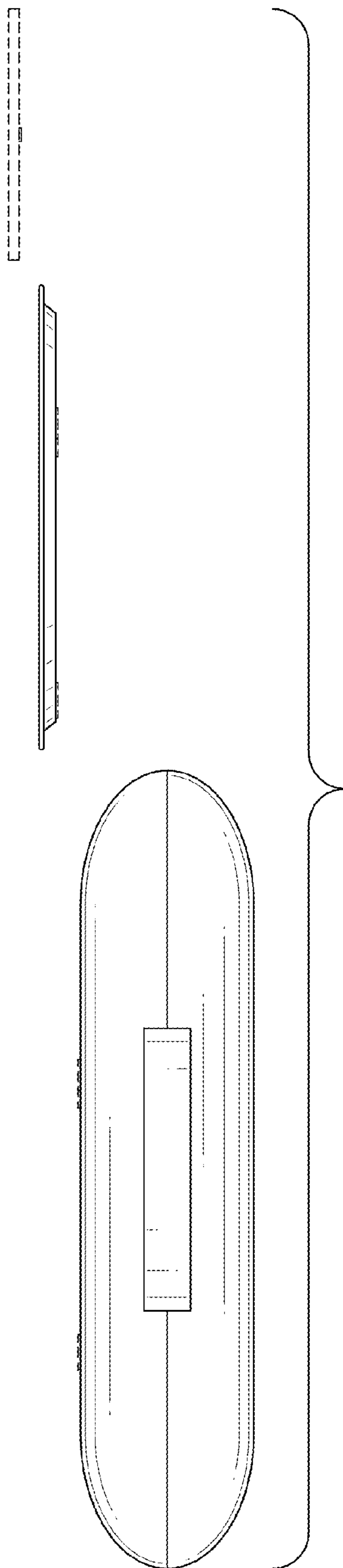


FIG. 20

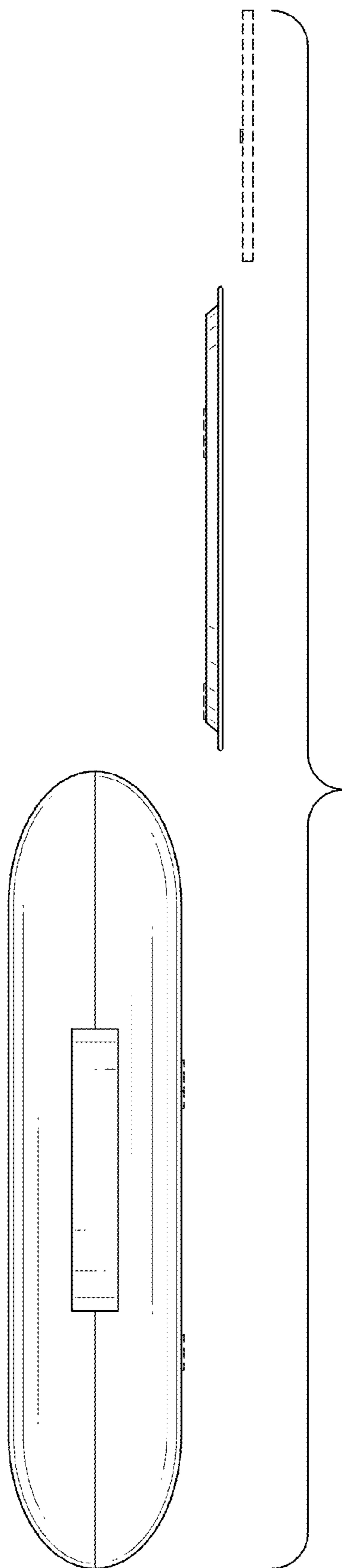


FIG. 21

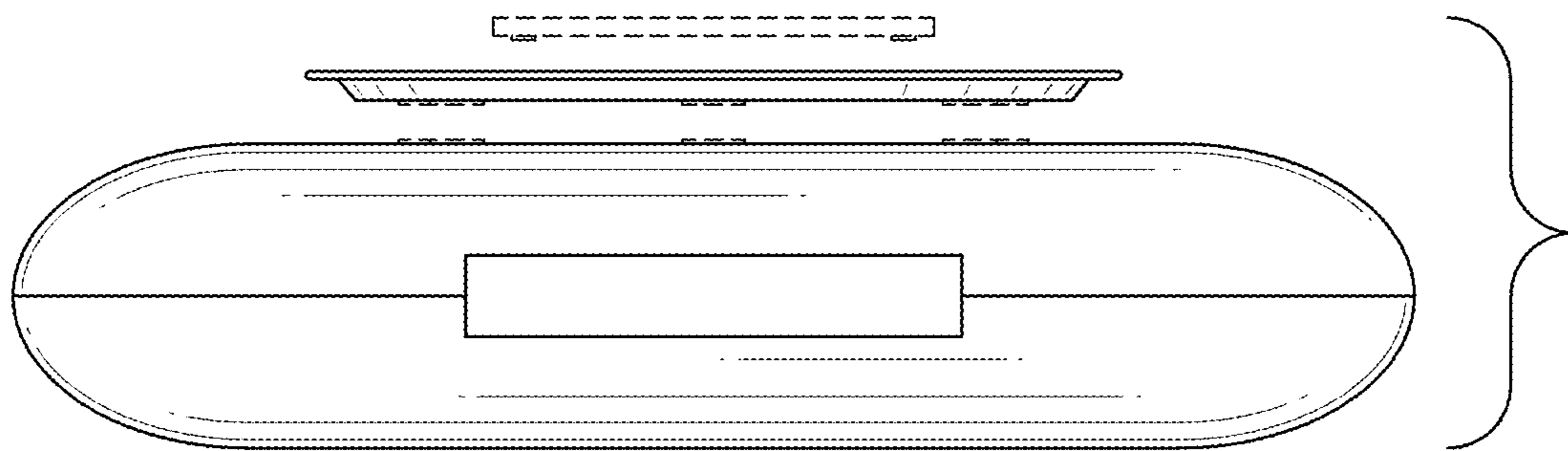


FIG. 22

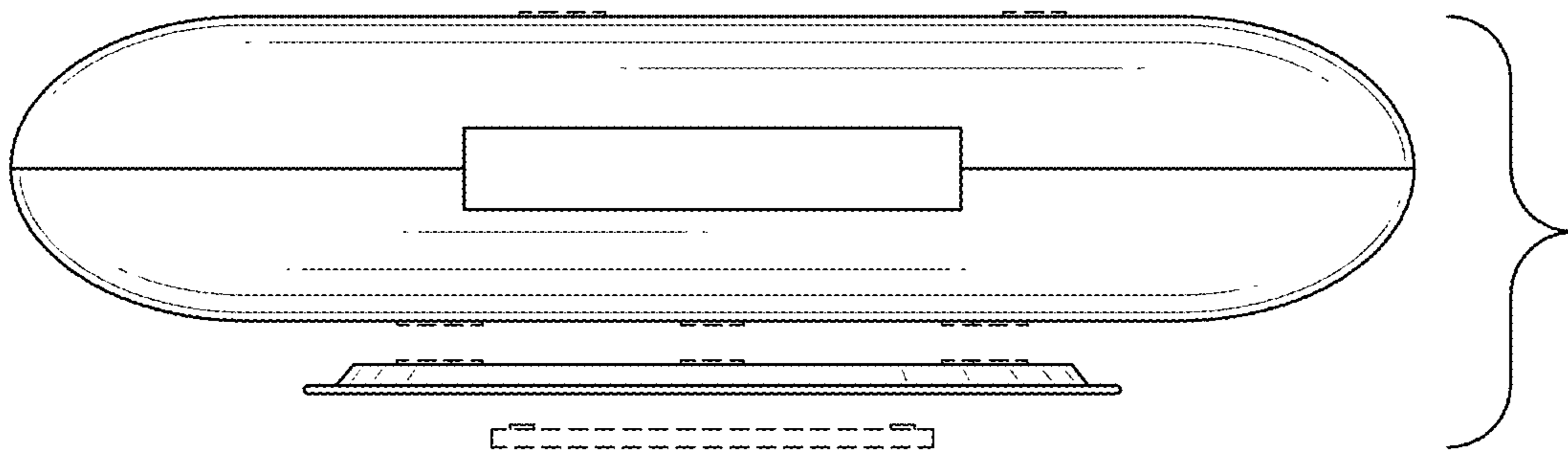


FIG. 23

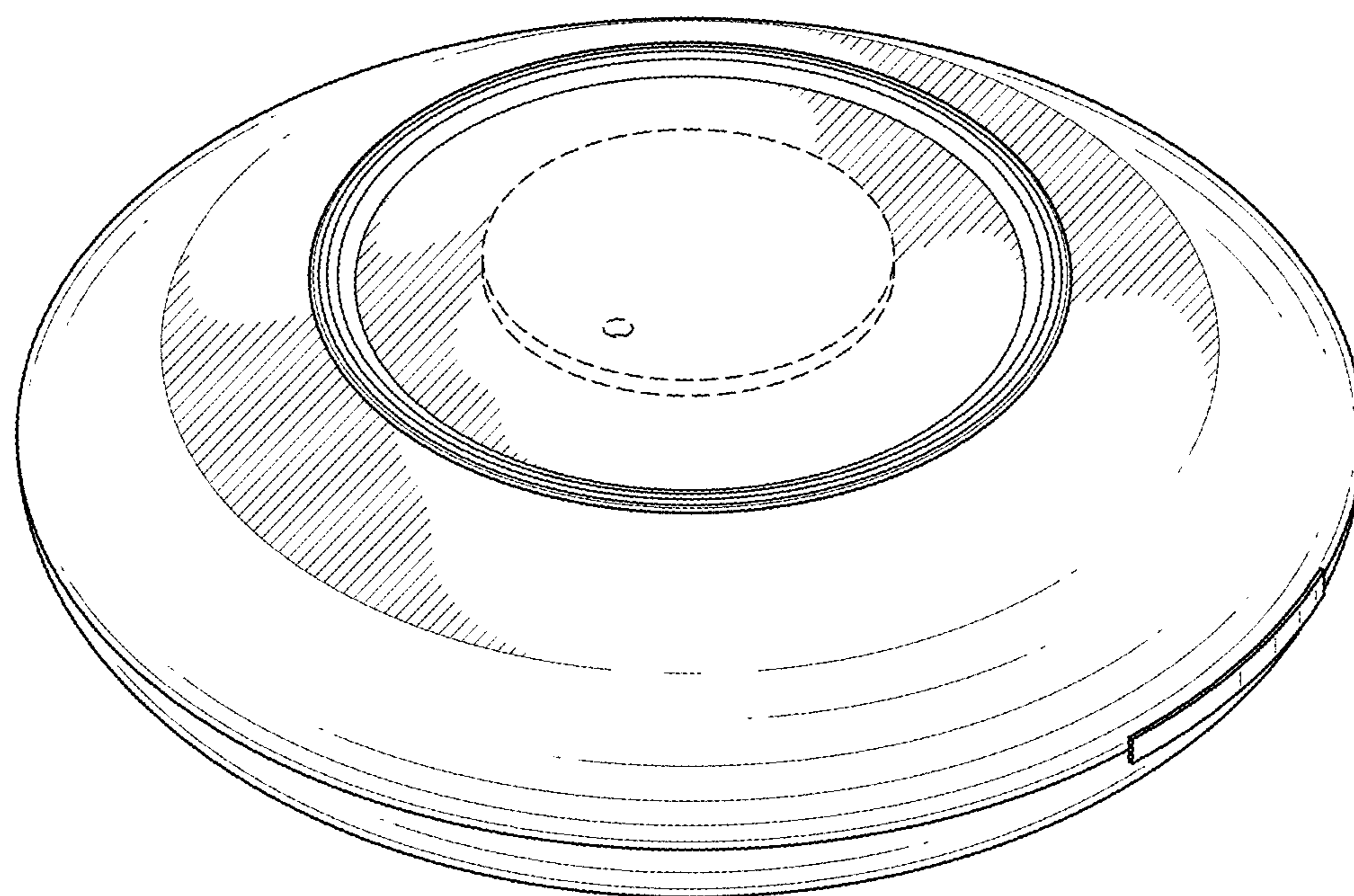


FIG.24

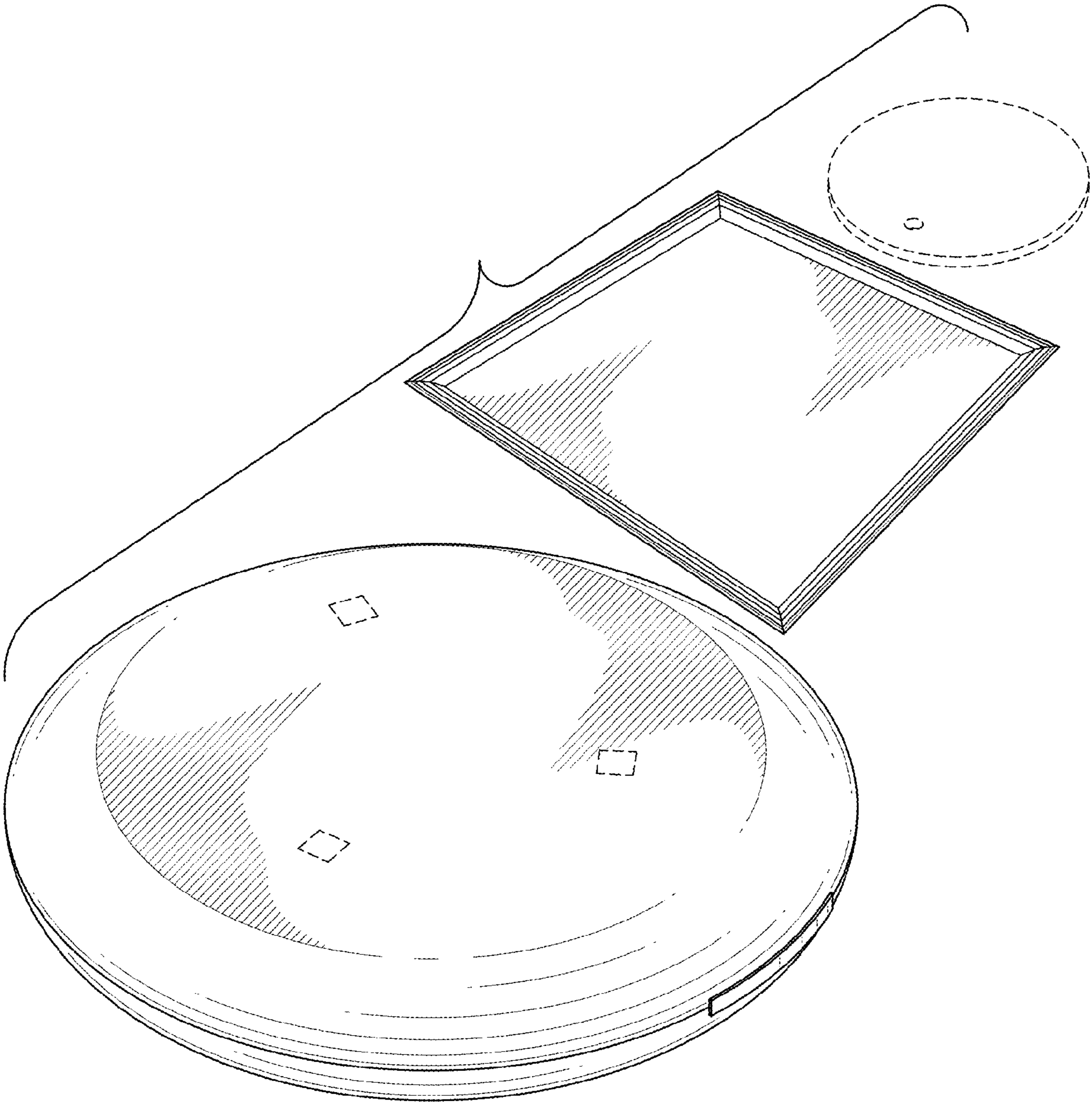


FIG.25

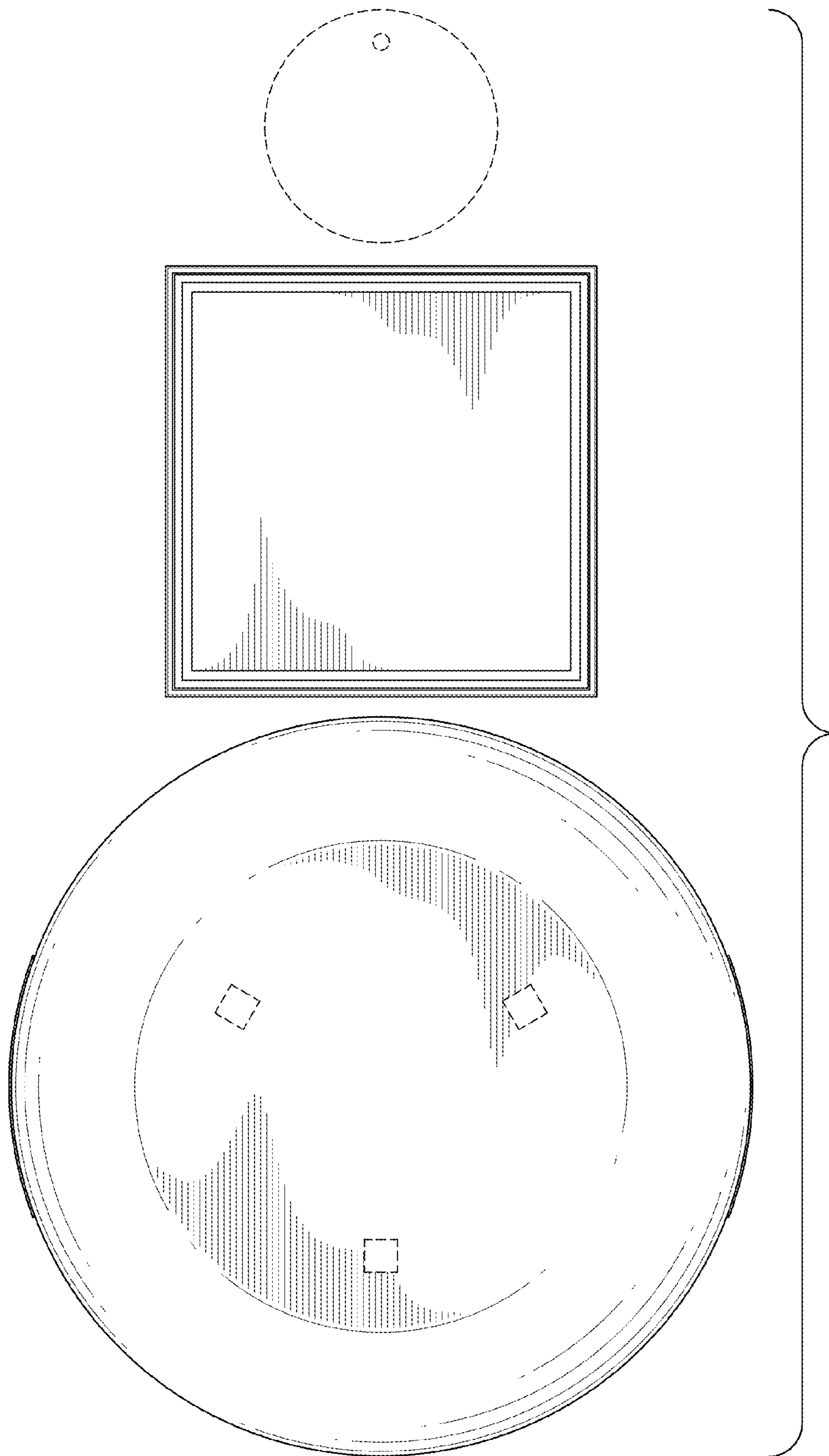


FIG. 26

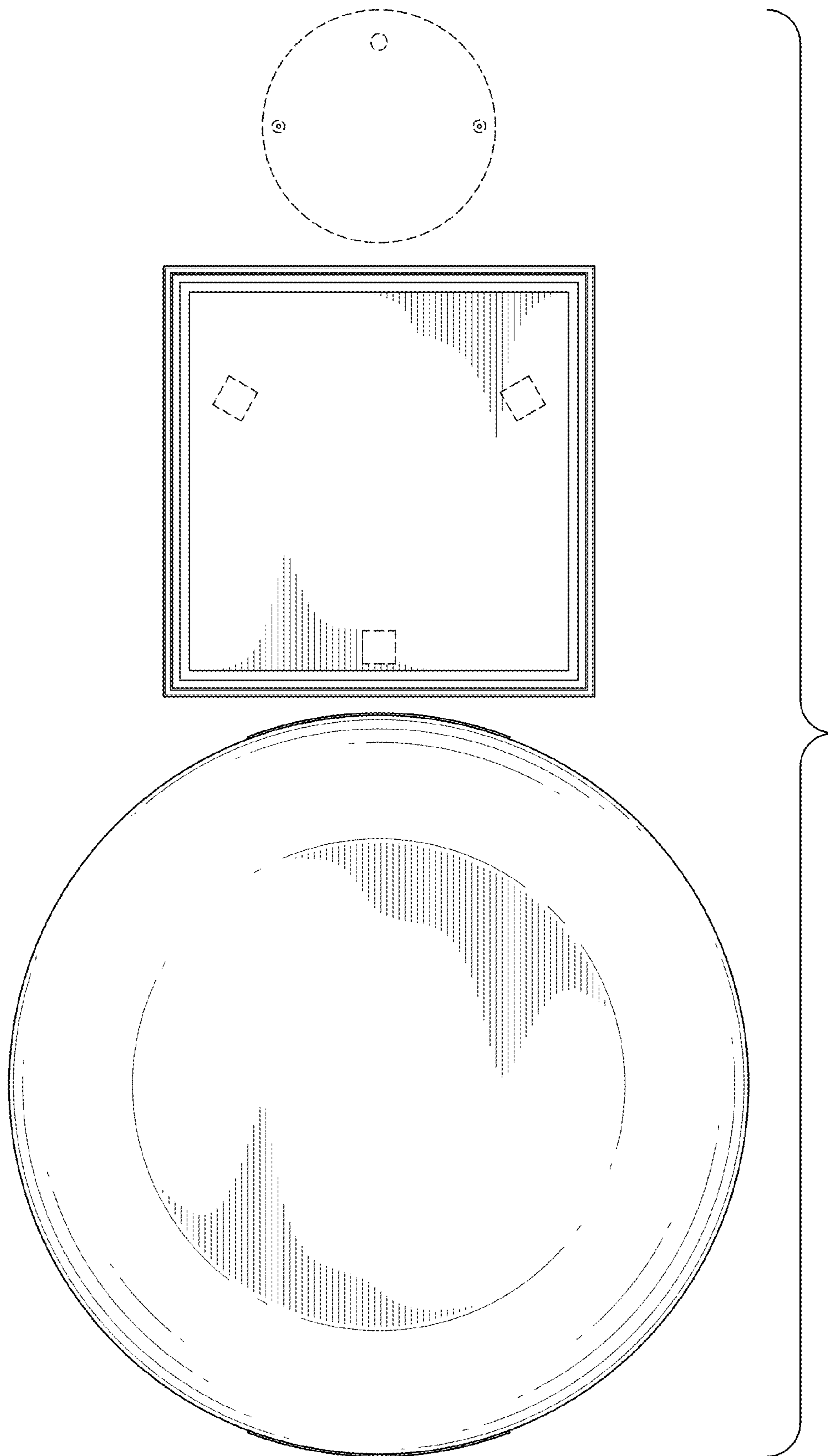


FIG.27

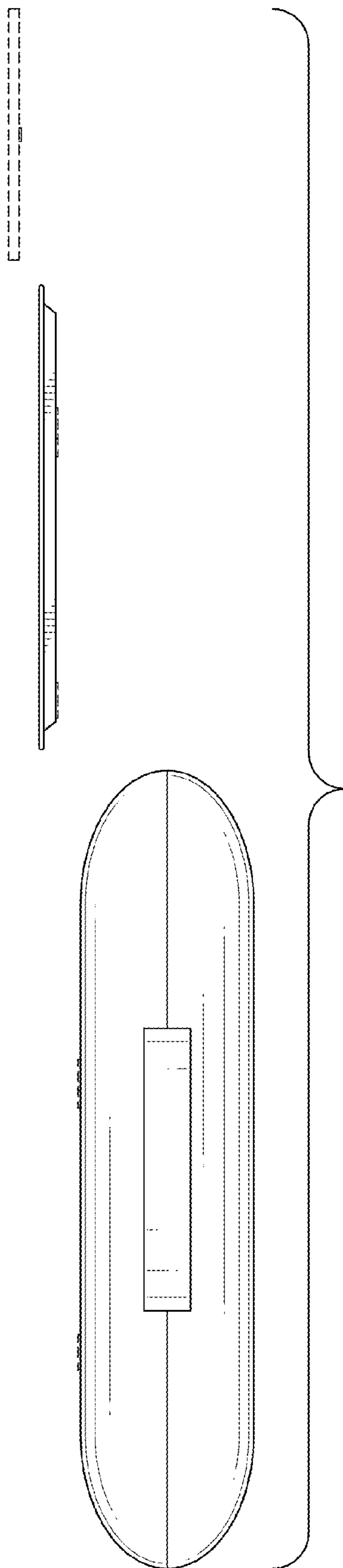


FIG.28

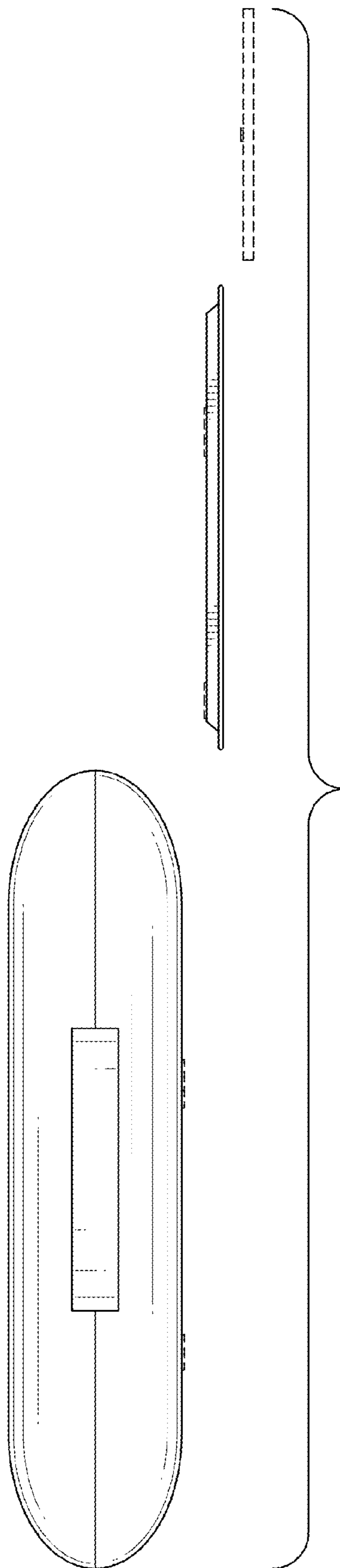


FIG. 29

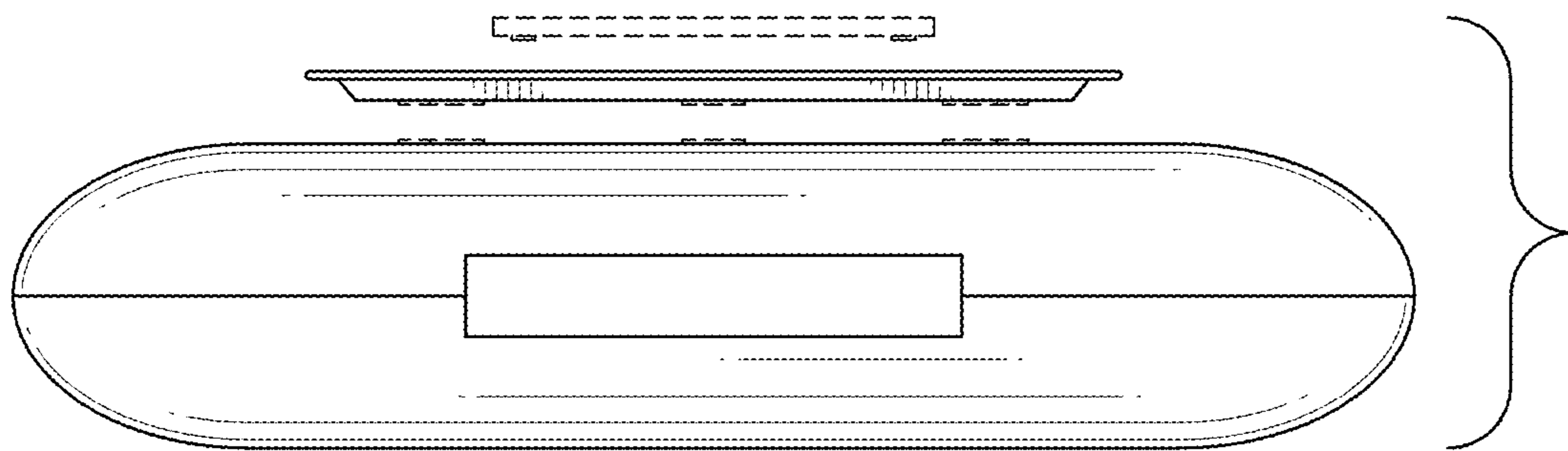


FIG. 30

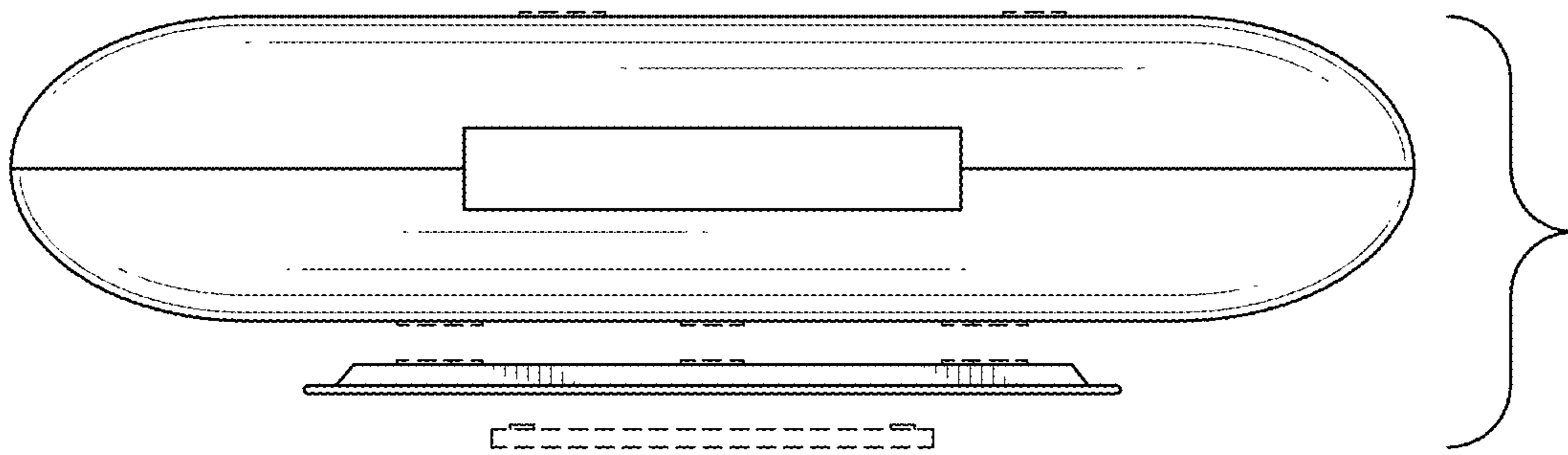


FIG. 31

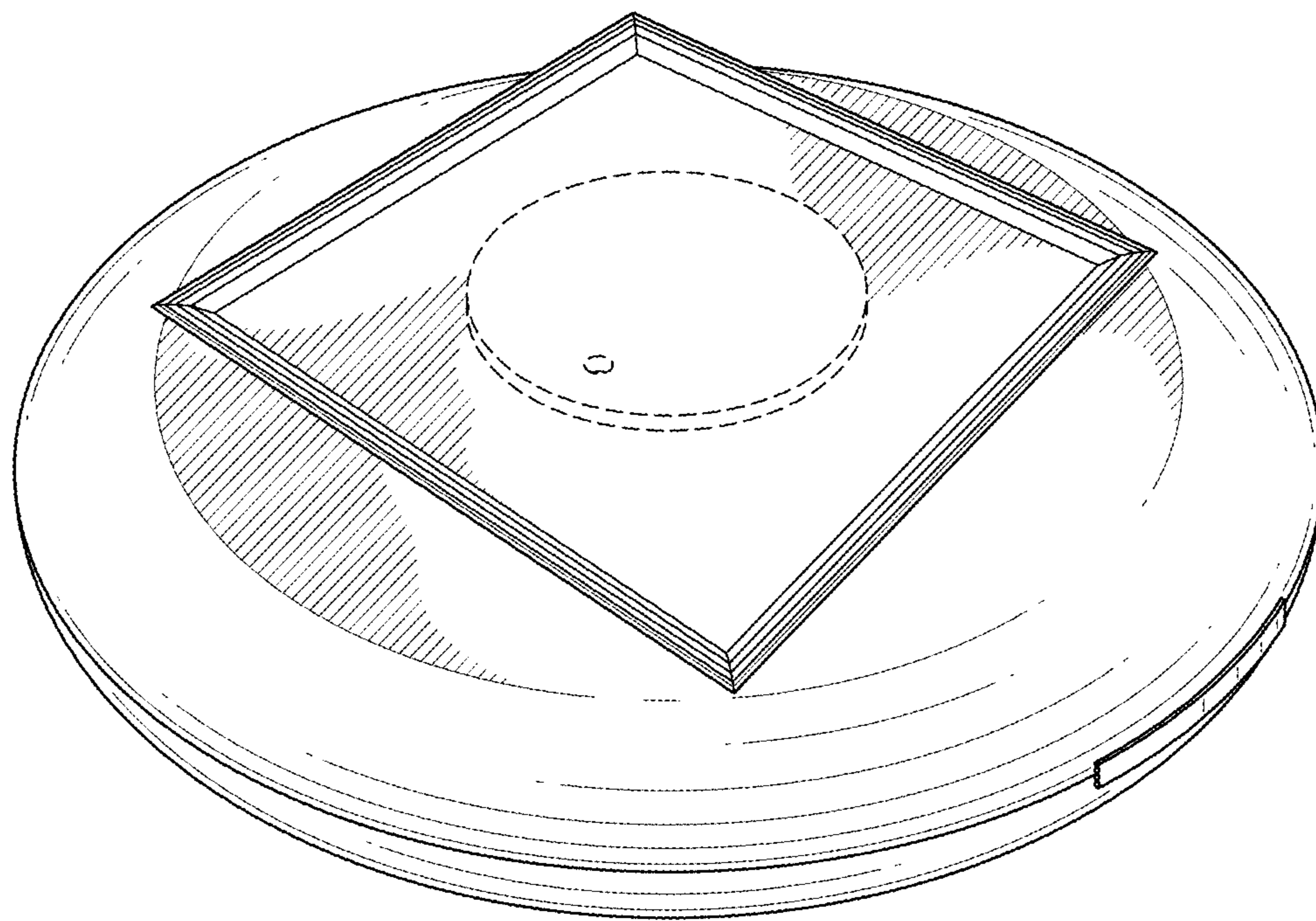


FIG.32

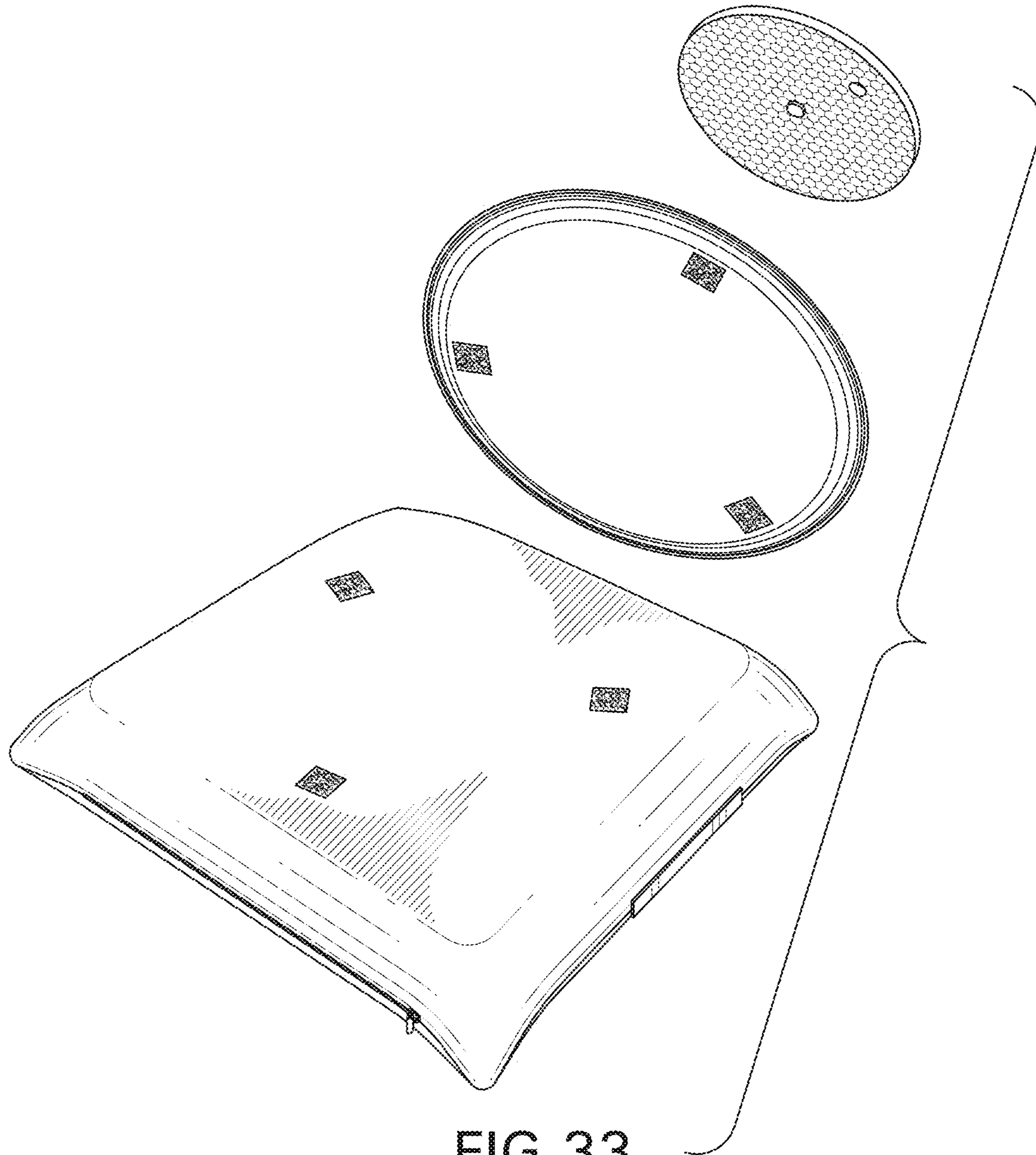


FIG. 33

UNITED STATES PATENT AND TRADEMARK OFFICE
CERTIFICATE OF CORRECTION

PATENT NO. : D878,161 S
APPLICATION NO. : 29/692643
DATED : March 17, 2020
INVENTOR(S) : Jeri Kallman

Page 1 of 1

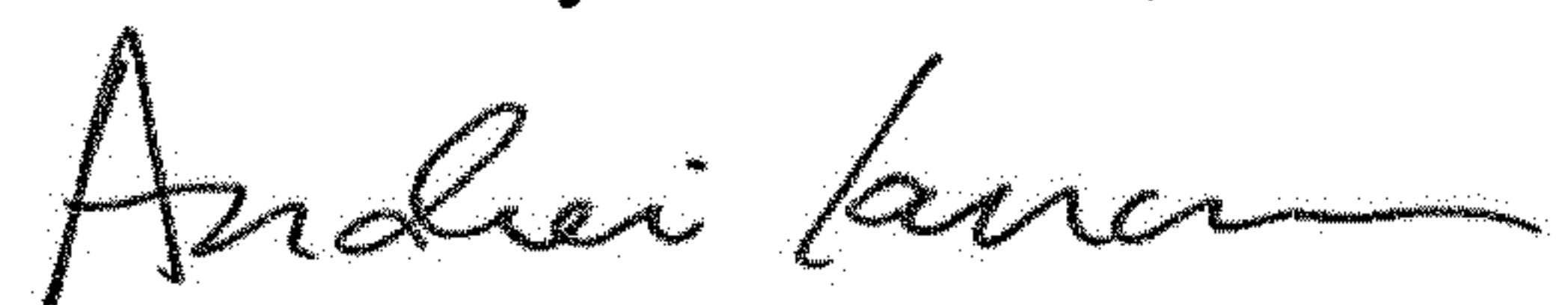
It is certified that error appears in the above-identified patent and that said Letters Patent is hereby corrected as shown below:

On the Title Page

Left Column, after item (71) Applicant: Jeri Kallman, Woodland, please delete "CA" and insert --WA--.

Left Column, after item (72) Inventor: Jeri Kallman, Woodland, please delete "CA" and insert --WA--.

Signed and Sealed this
Sixth Day of October, 2020



Andrei Iancu
Director of the United States Patent and Trademark Office