



US00D878160S

(12) **United States Design Patent**
Corbet et al.

(10) **Patent No.:** **US D878,160 S**
(45) **Date of Patent:** **** Mar. 17, 2020**

(54) **BEVERAGE CONTAINER**

(71) Applicant: **Specialized Bicycle Components, Inc.**,
Morgan Hill, CA (US)

(72) Inventors: **Heath Edwin Corbet**, Campbell, CA
(US); **Ryan Curt Jones**, Hollister, CA
(US)

(73) Assignee: **SPECIALIZED BICYCLE
COMPONENTS, INC.**, Morgan Hill,
CA (US)

(**) Term: **15 Years**

(21) Appl. No.: **29/657,315**

(22) Filed: **Jul. 20, 2018**

(51) **LOC (12) Cl.** **07-01**

(52) **U.S. Cl.**
USPC **D7/523; D7/510; D7/511; D7/532**

(58) **Field of Classification Search**
USPC **D7/507, 509, 510, 511, 523, 532, 533,
D7/535, 536, 300.1, 608, 392.1, 396.2,**
(Continued)

(56) **References Cited**

U.S. PATENT DOCUMENTS

2,899,098 A * 8/1959 Gits A47G 19/2288
215/12.1
D286,604 S * 11/1986 Bierlein D11/152
(Continued)

FOREIGN PATENT DOCUMENTS

CN 204078374 U 1/2015

Primary Examiner — Jae Liang

(74) *Attorney, Agent, or Firm* — Michael Best &
Friedrich LLP

(57) **CLAIM**

We claim the ornamental design for a beverage container, as shown and described.

DESCRIPTION

FIG. 1 is a front perspective view of a beverage container that is a first embodiment of the present invention.

FIG. 2 is a front view of the beverage container of FIG. 1.

FIG. 3 is a rear view of the beverage container of FIG. 1.

FIG. 4 is a left side view of the beverage container of FIG. 1.

FIG. 5 is a right side view of the beverage container of FIG. 1.

FIG. 6 is a top view of the beverage container of FIG. 1.

FIG. 7 is a bottom view of the beverage container of FIG. 1.

FIG. 8 is a front perspective view of a beverage container that is a second embodiment of the present invention.

FIG. 9 is a front view of the beverage container of FIG. 8.

FIG. 10 is a rear view of the beverage container of FIG. 8.

FIG. 11 is a left side view of the beverage container of FIG. 8.

FIG. 12 is a right side view of the beverage container of FIG. 8.

FIG. 13 is a top view of the beverage container of FIG. 8.

FIG. 14 is a bottom view of the beverage container of FIG. 8.

FIG. 15 is a front perspective view of a beverage container that is a third embodiment of the present invention.

FIG. 16 is a front view of the beverage container of FIG. 15.

FIG. 17 is a rear view of the beverage container of FIG. 15.

FIG. 18 is a left side view of the beverage container of FIG. 15.

FIG. 19 is a right side view of the beverage container of FIG. 15.

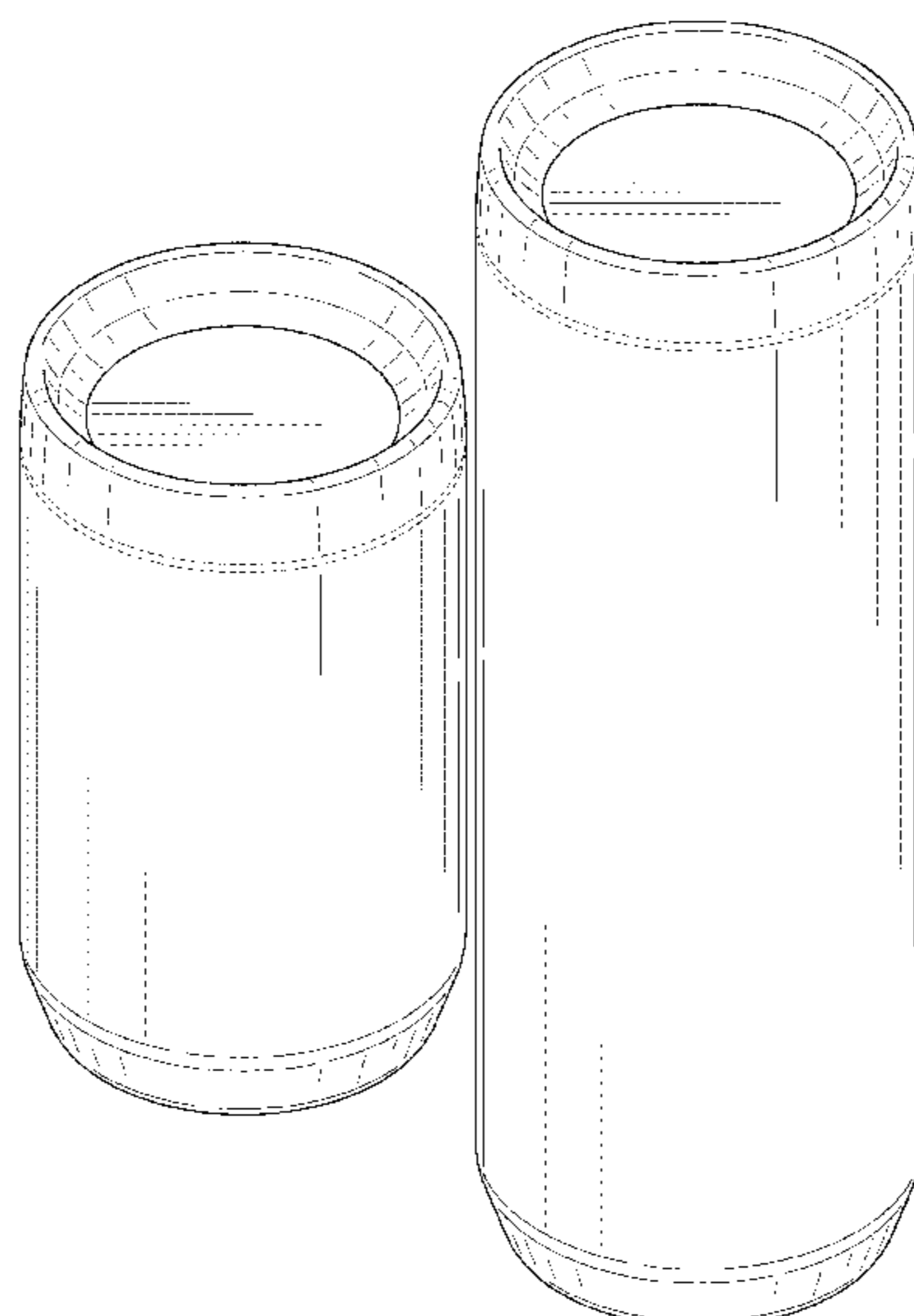
FIG. 20 is a top view of the beverage container of FIG. 15;

and,

FIG. 21 is a bottom view of the beverage container of FIG. 15.

The portions of the drawings shown in broken lines form no part of the claimed design.

1 Claim, 18 Drawing Sheets



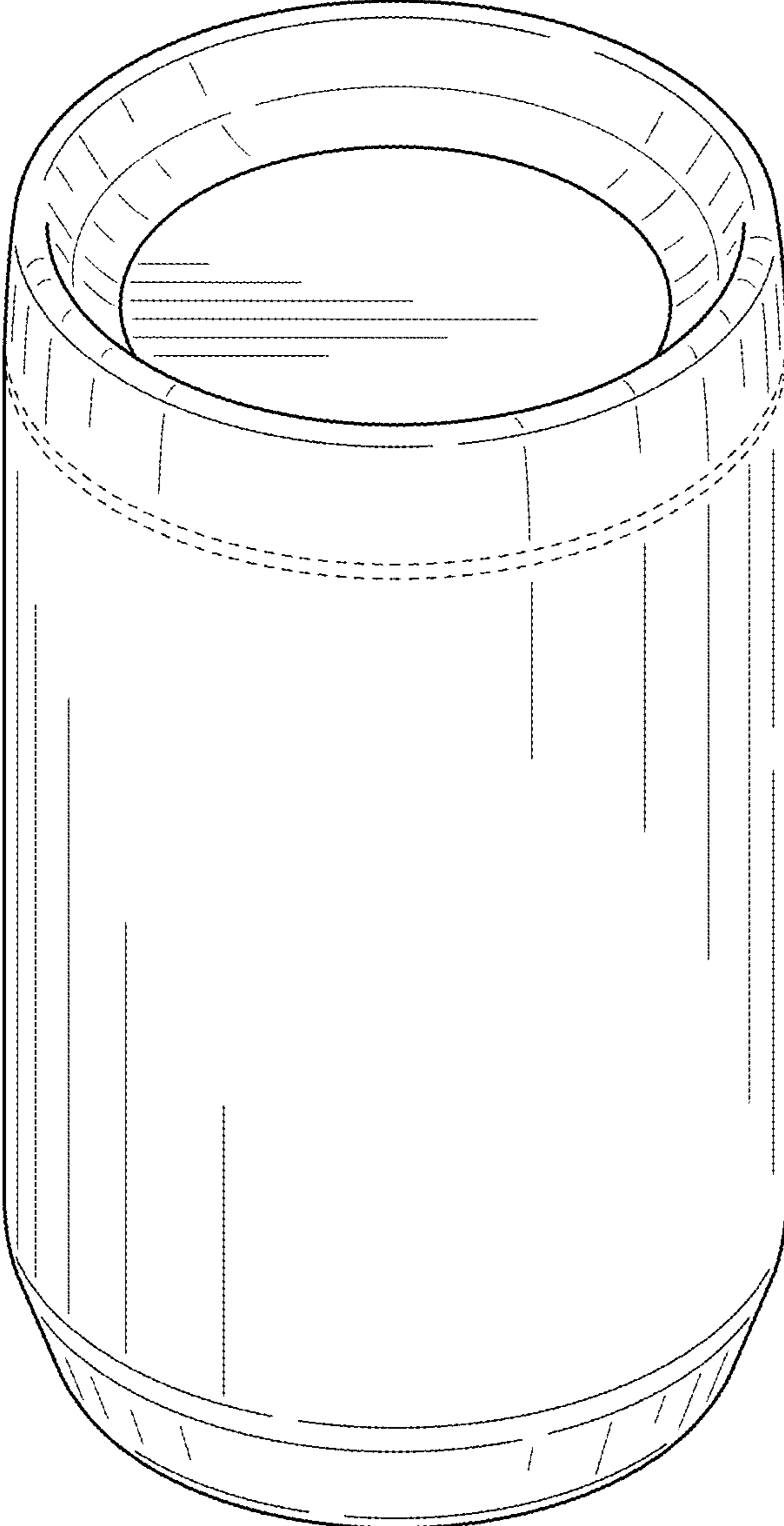


FIG. 1

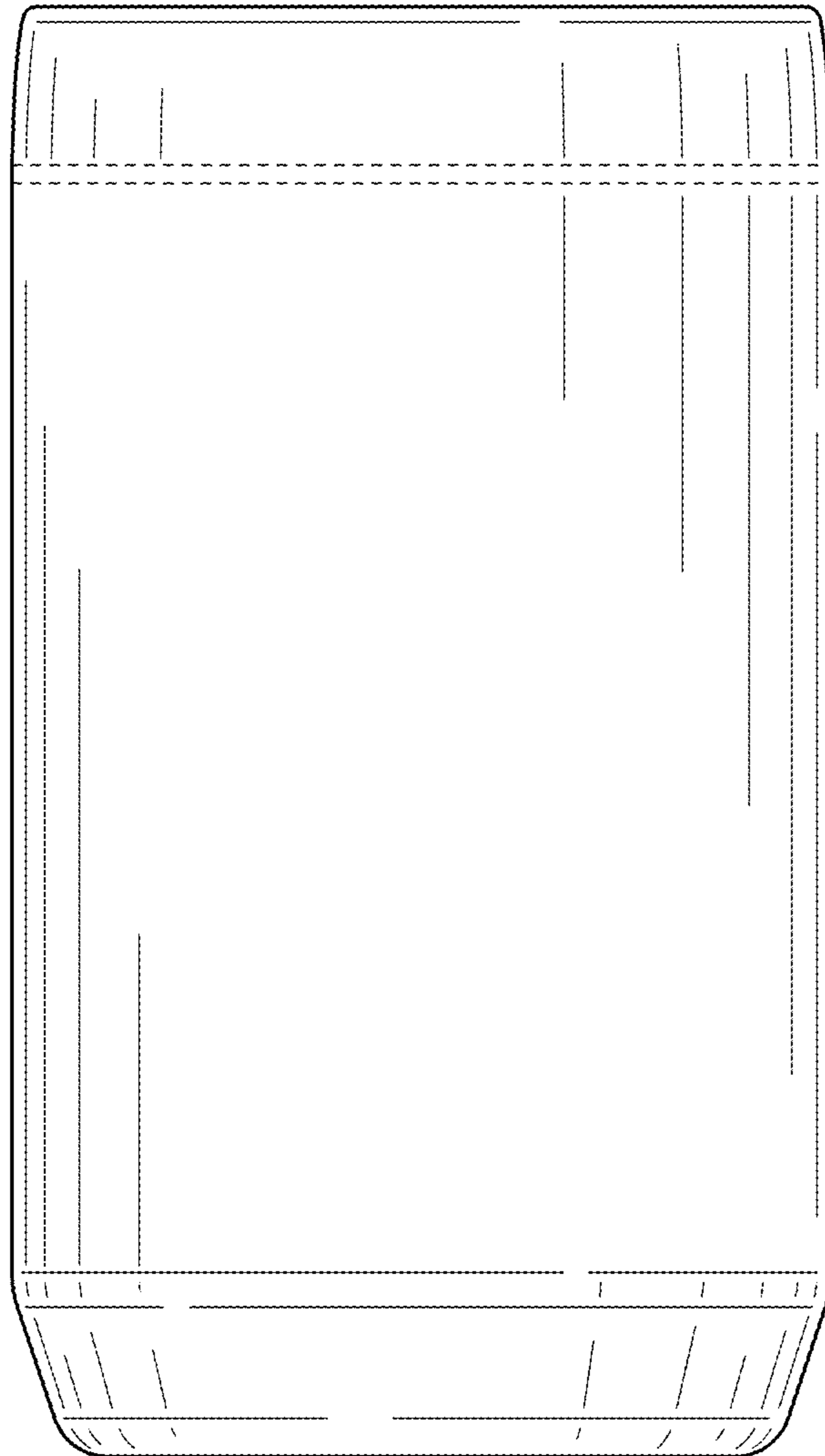


FIG. 2

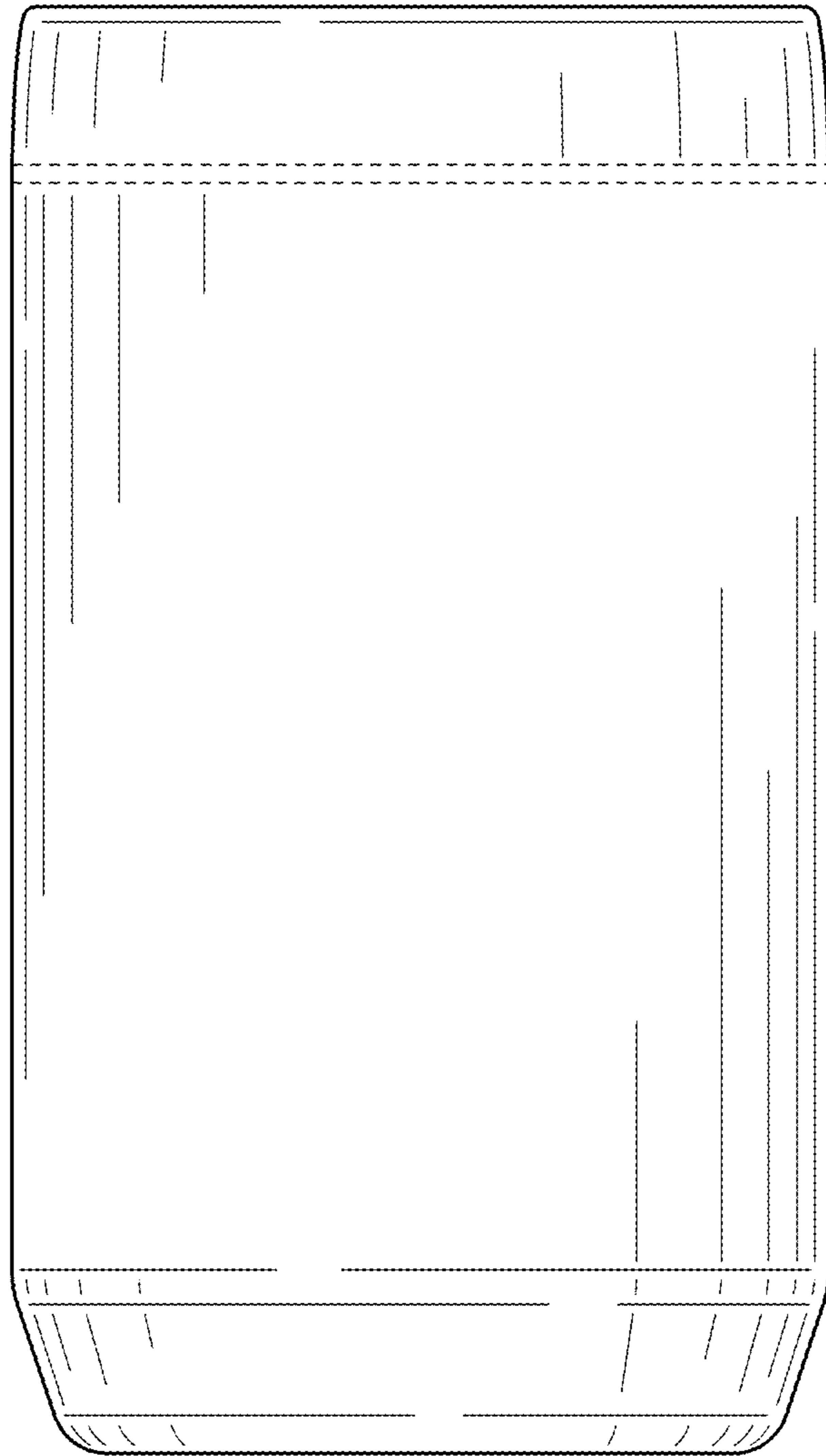


FIG. 3

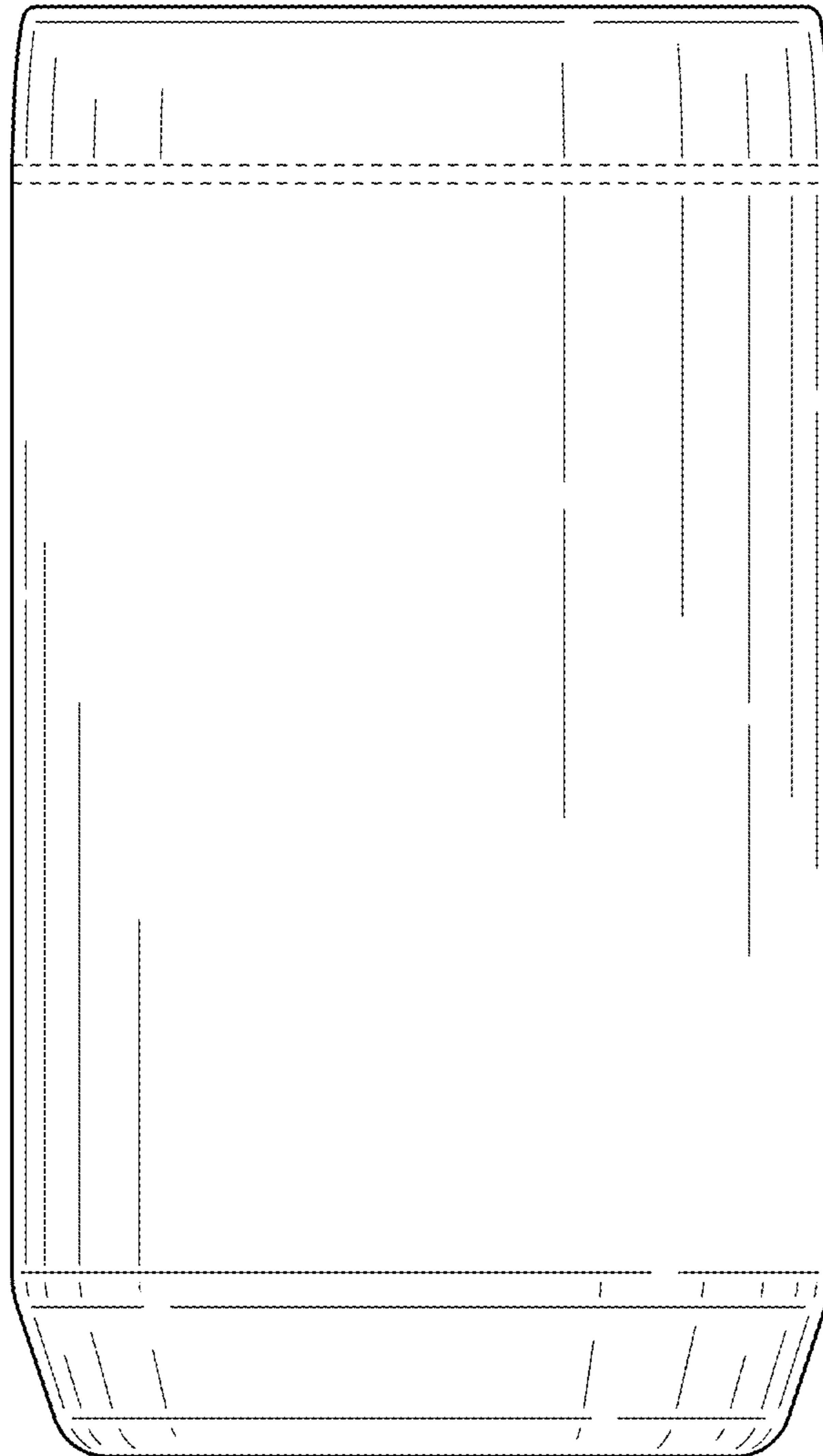


FIG. 4

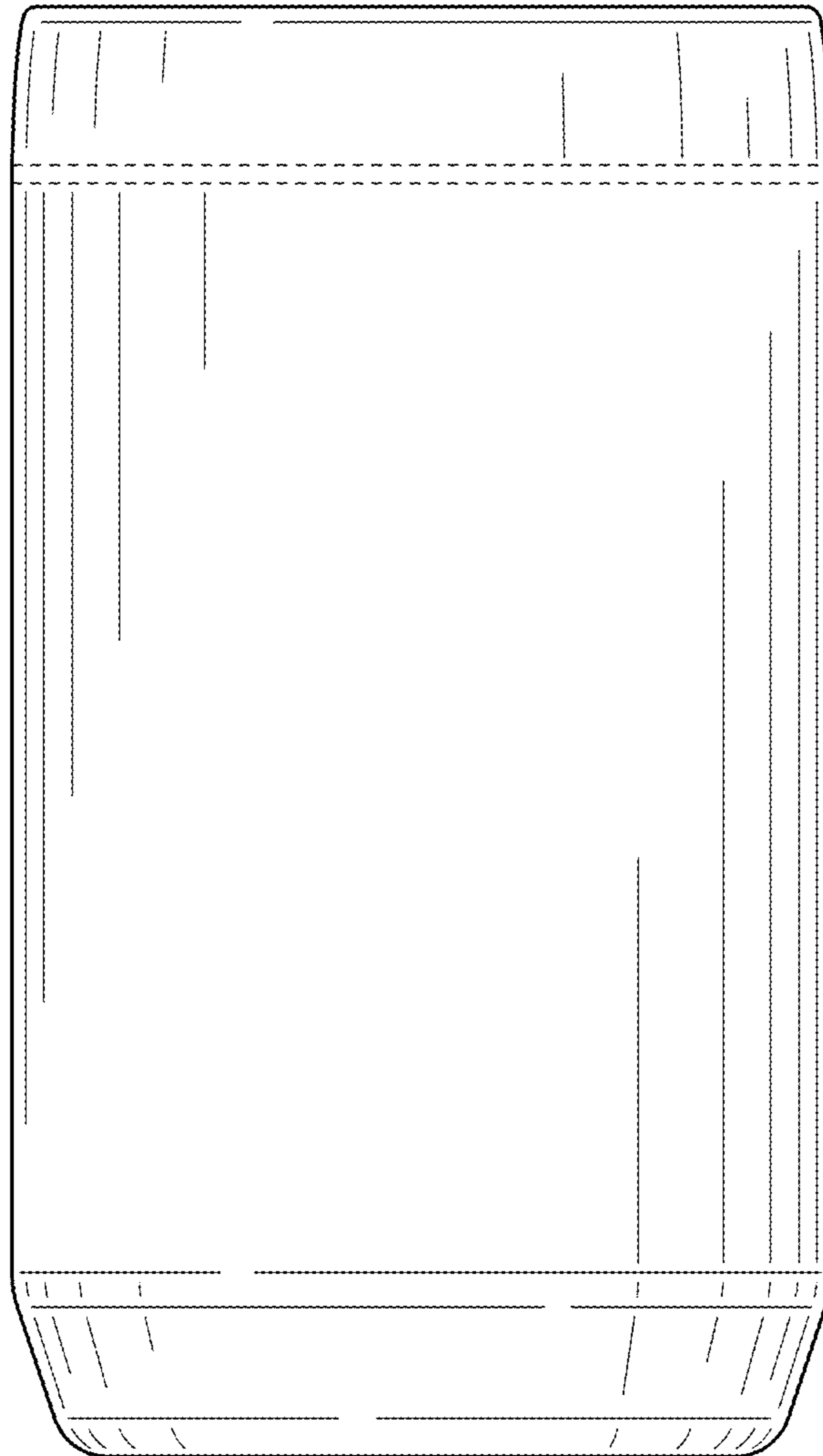


FIG. 5

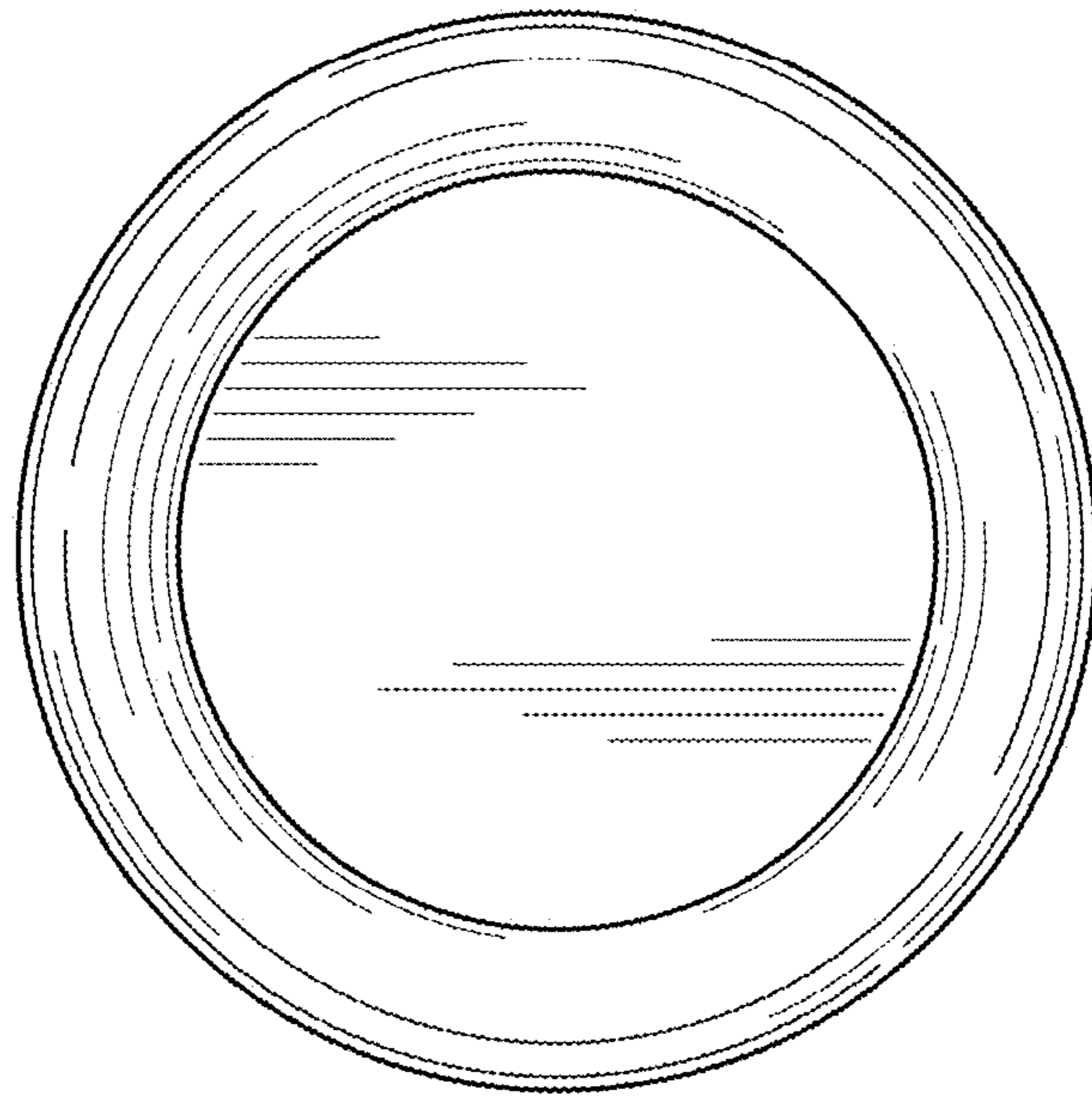


FIG. 6

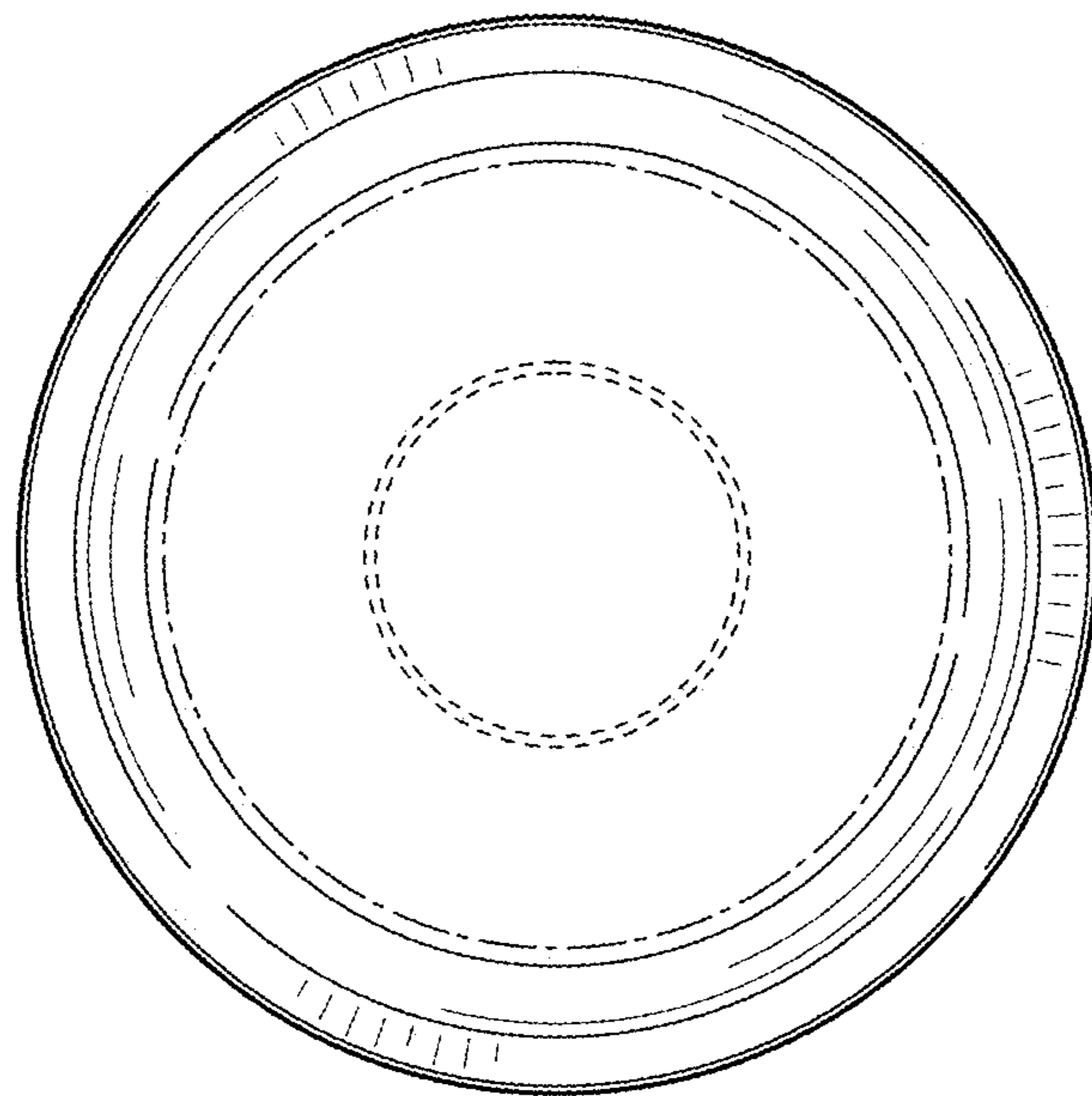


FIG. 7

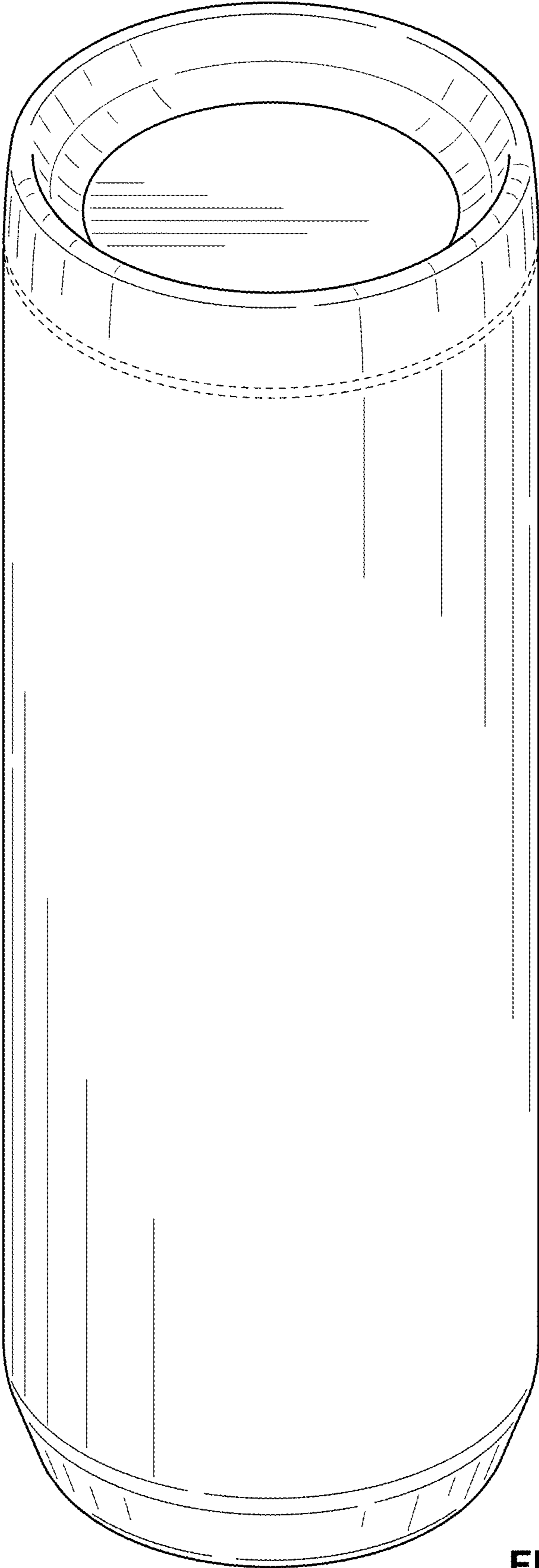


FIG. 8

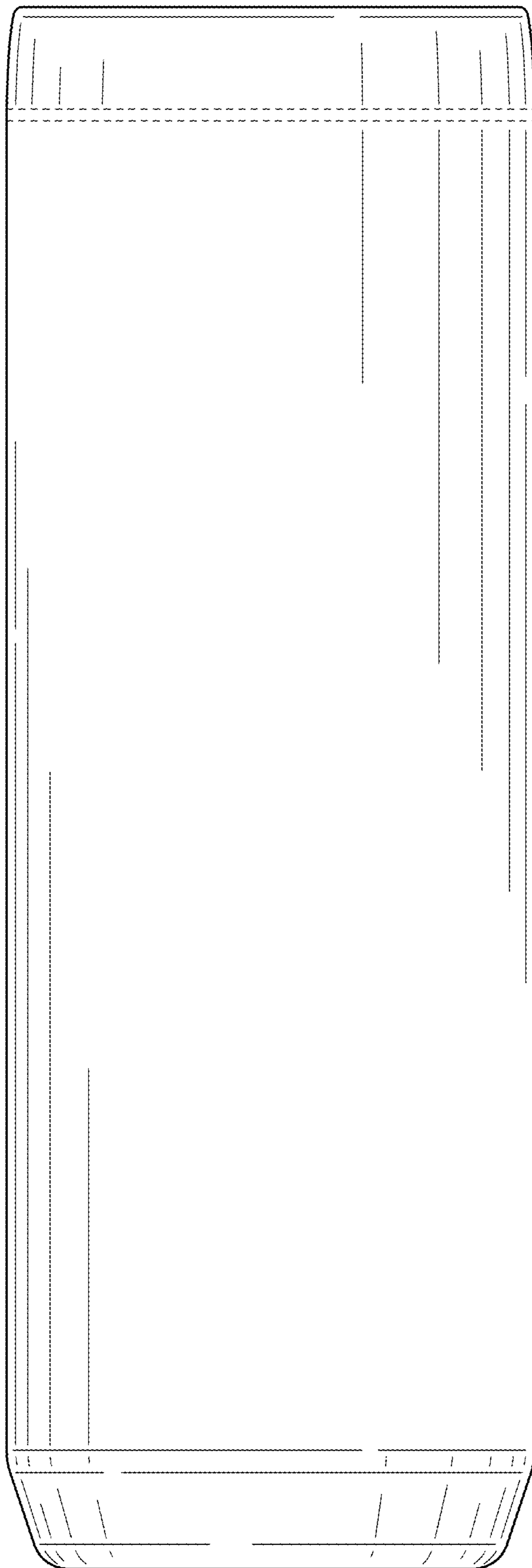


FIG. 9

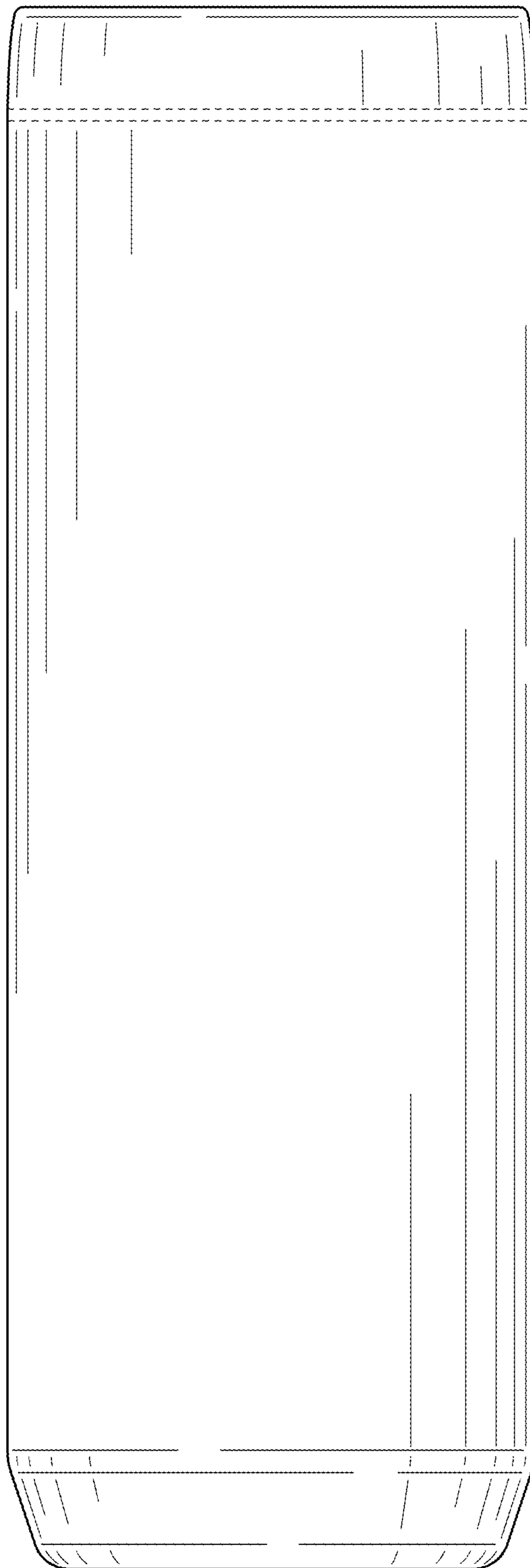


FIG. 10

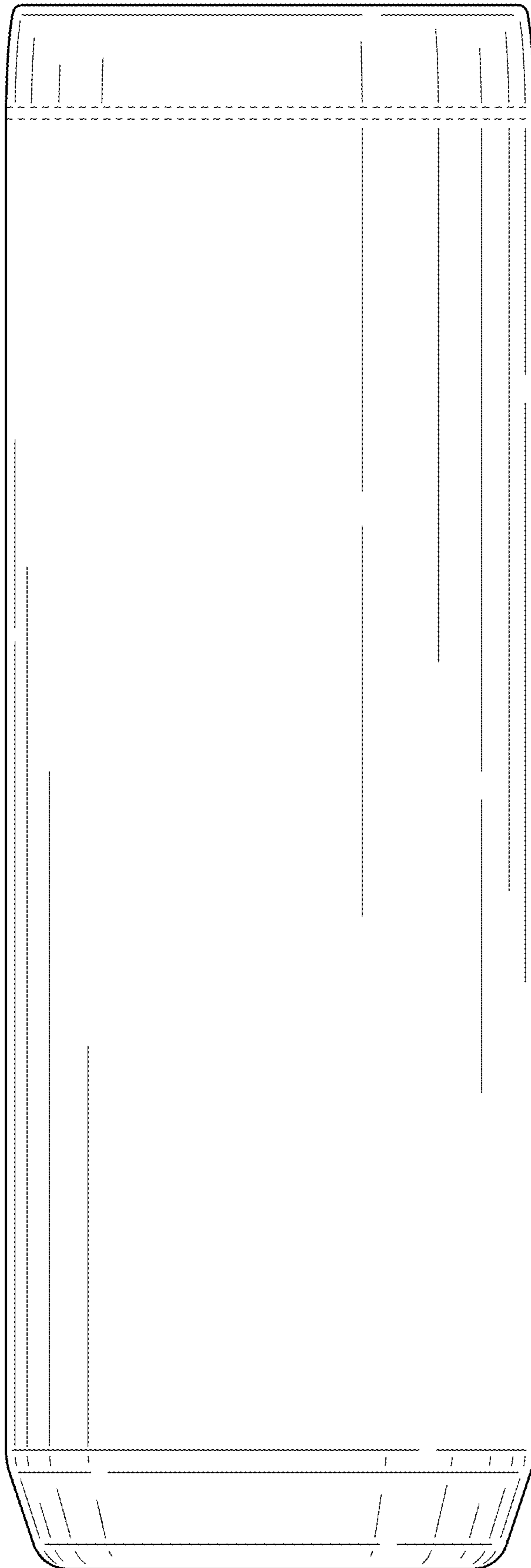


FIG. 11

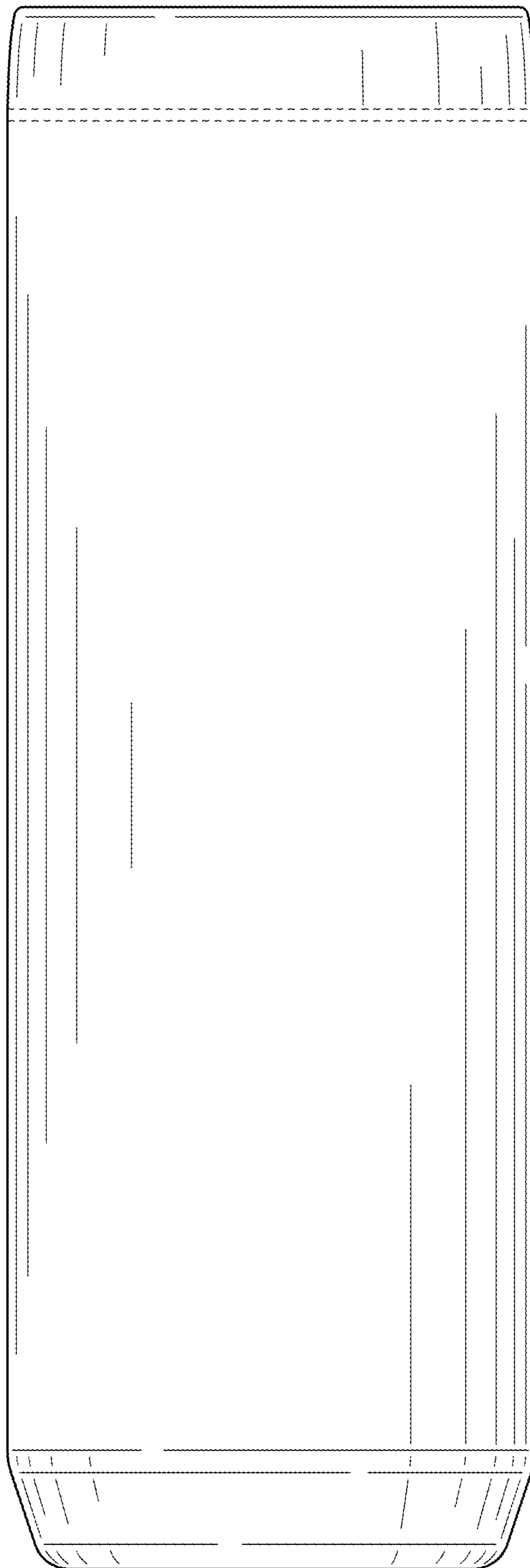


FIG. 12

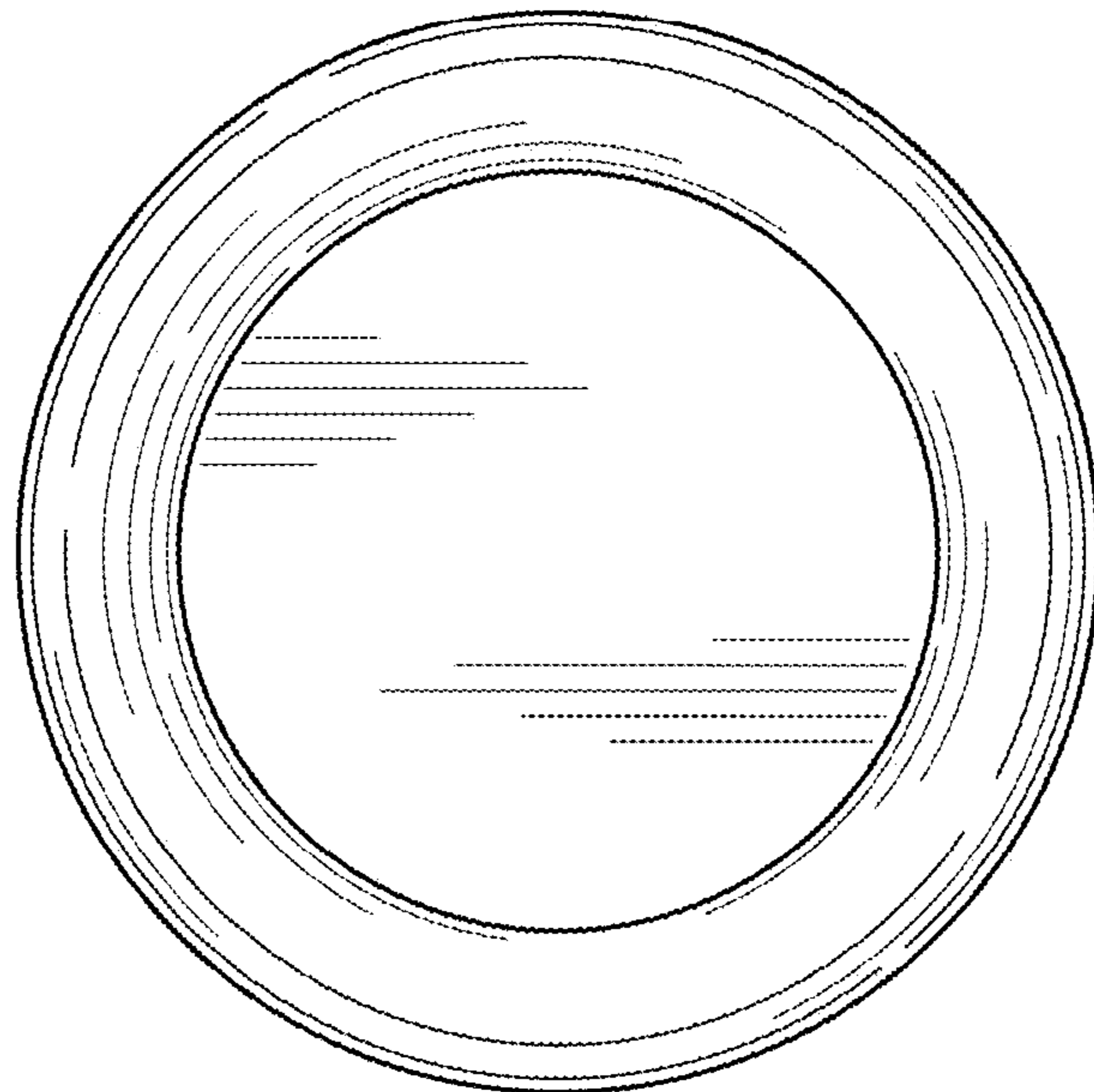


FIG. 13

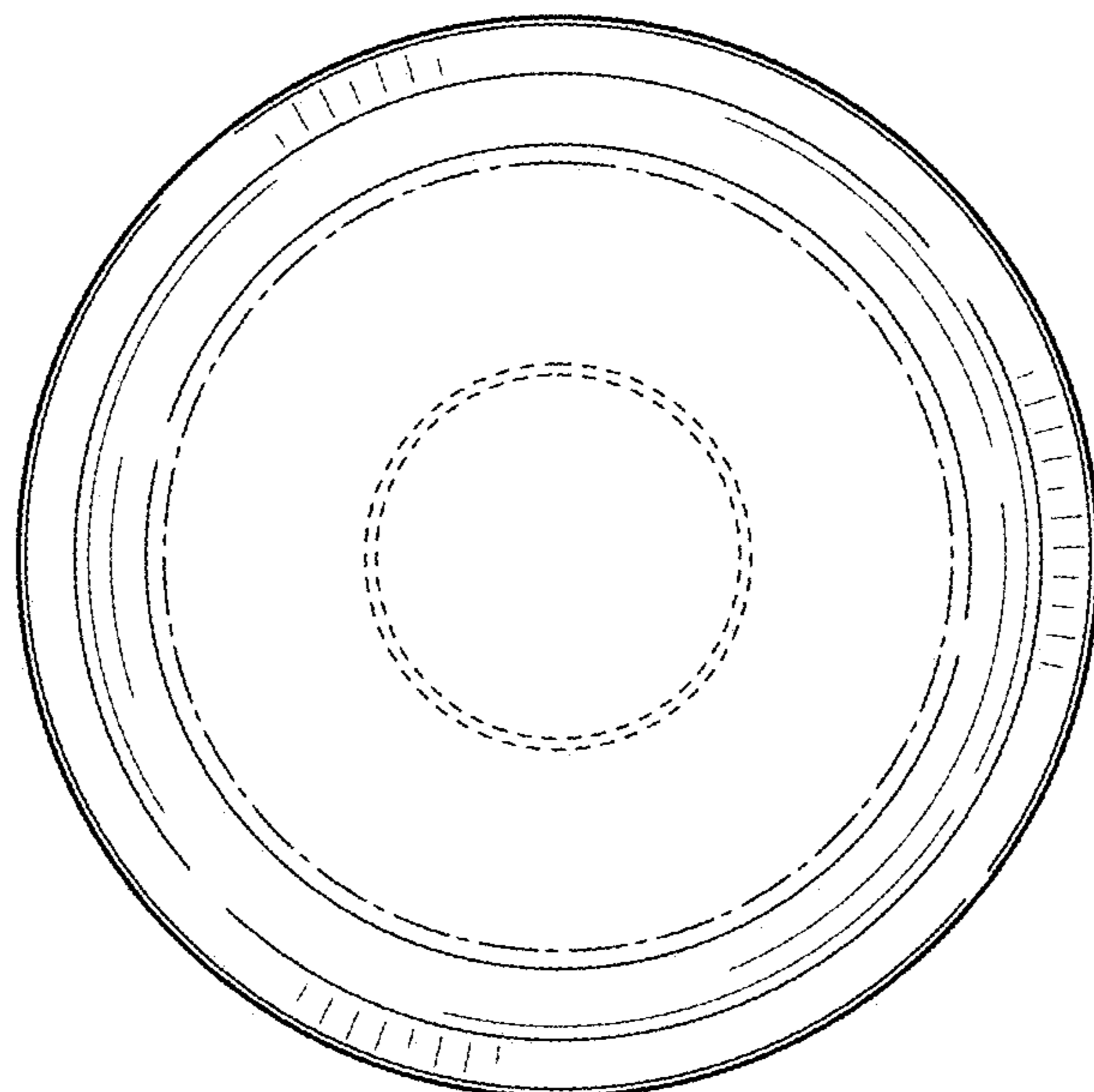


FIG. 14

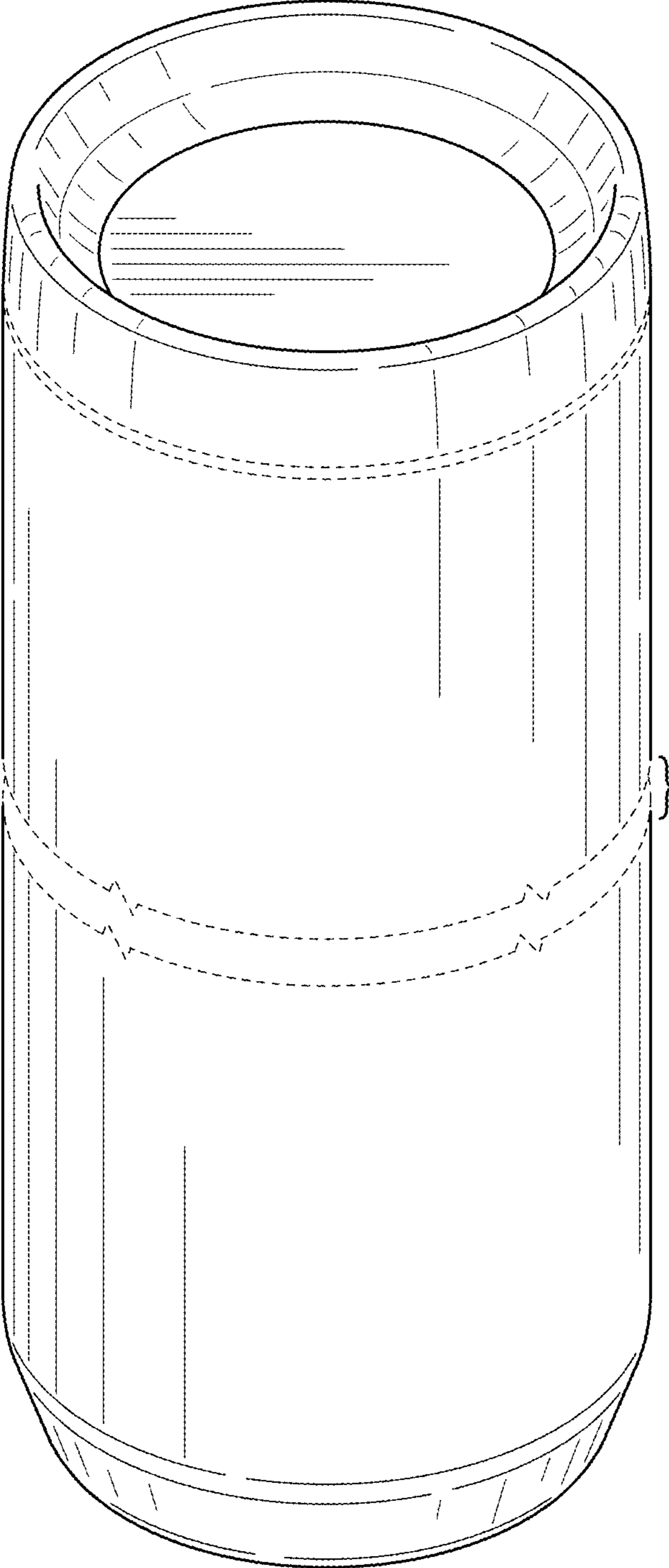


FIG. 15

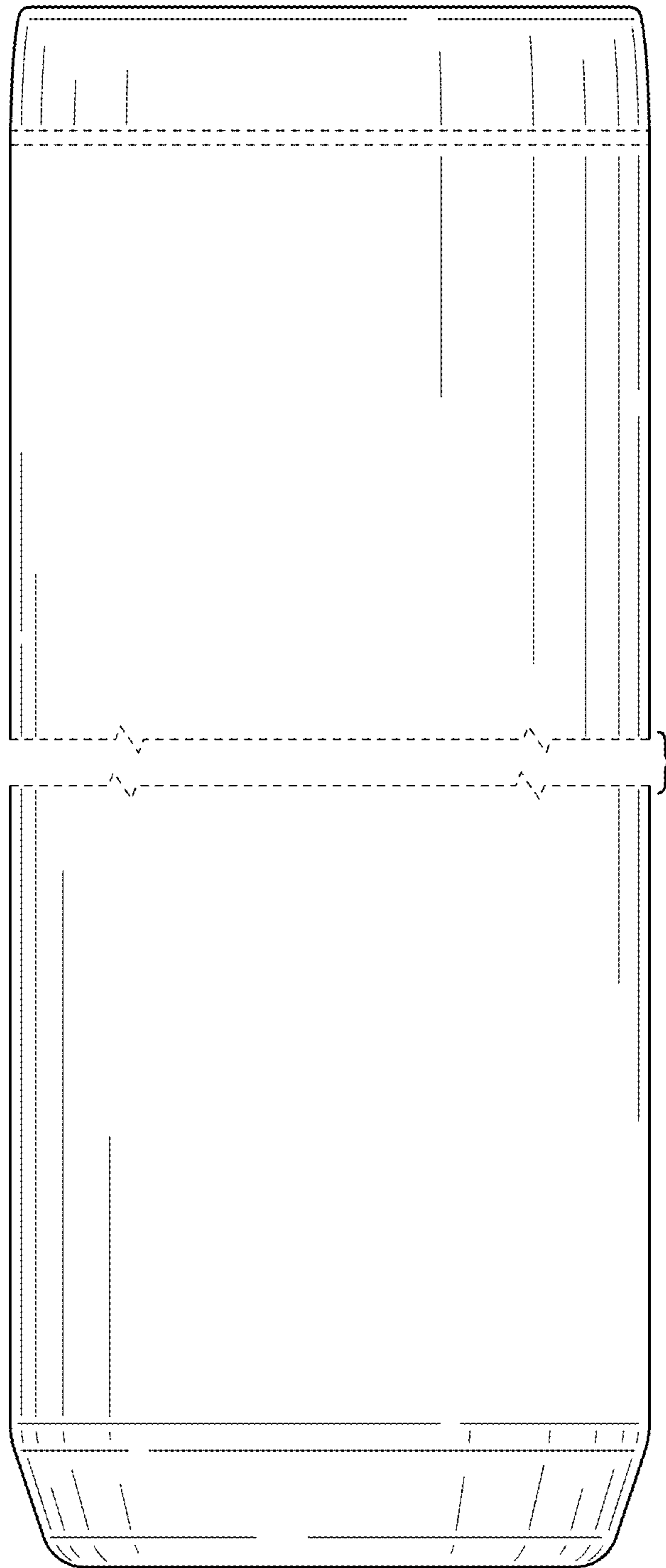


FIG. 16

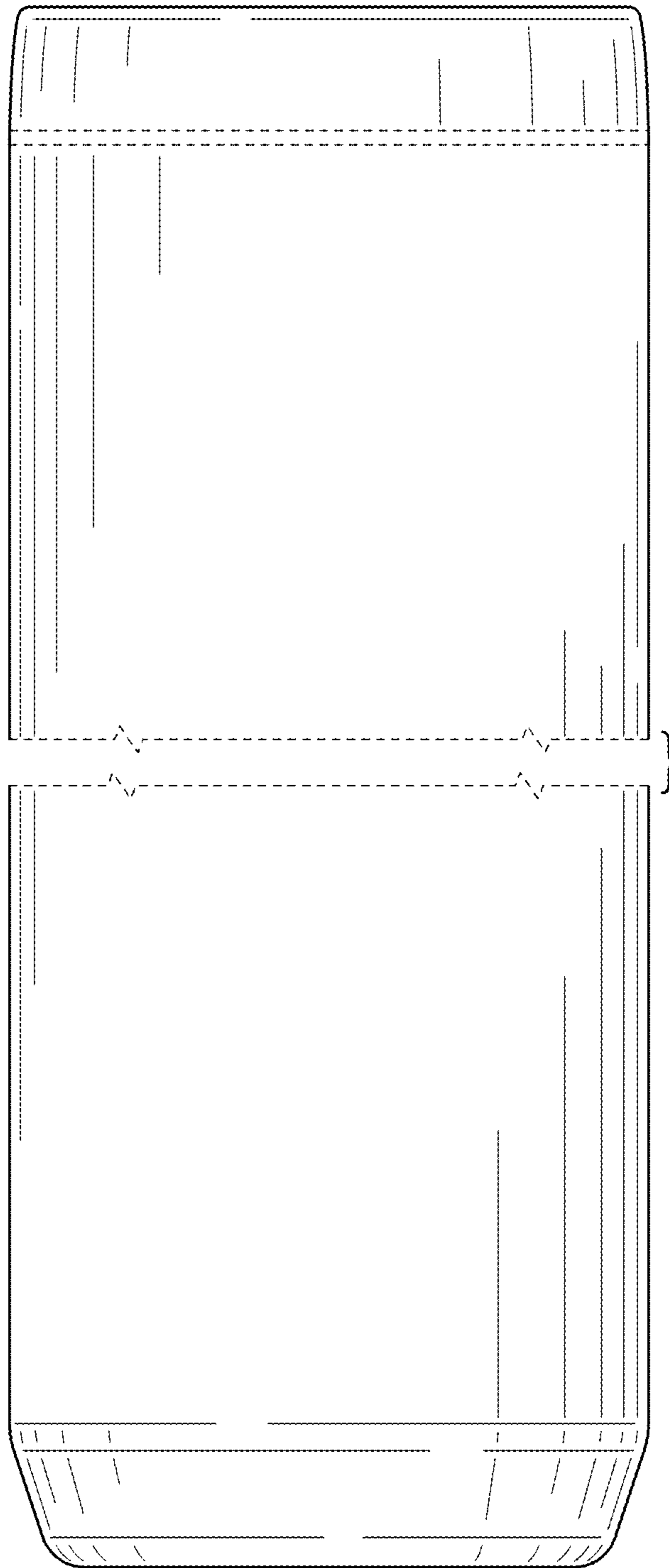


FIG. 17

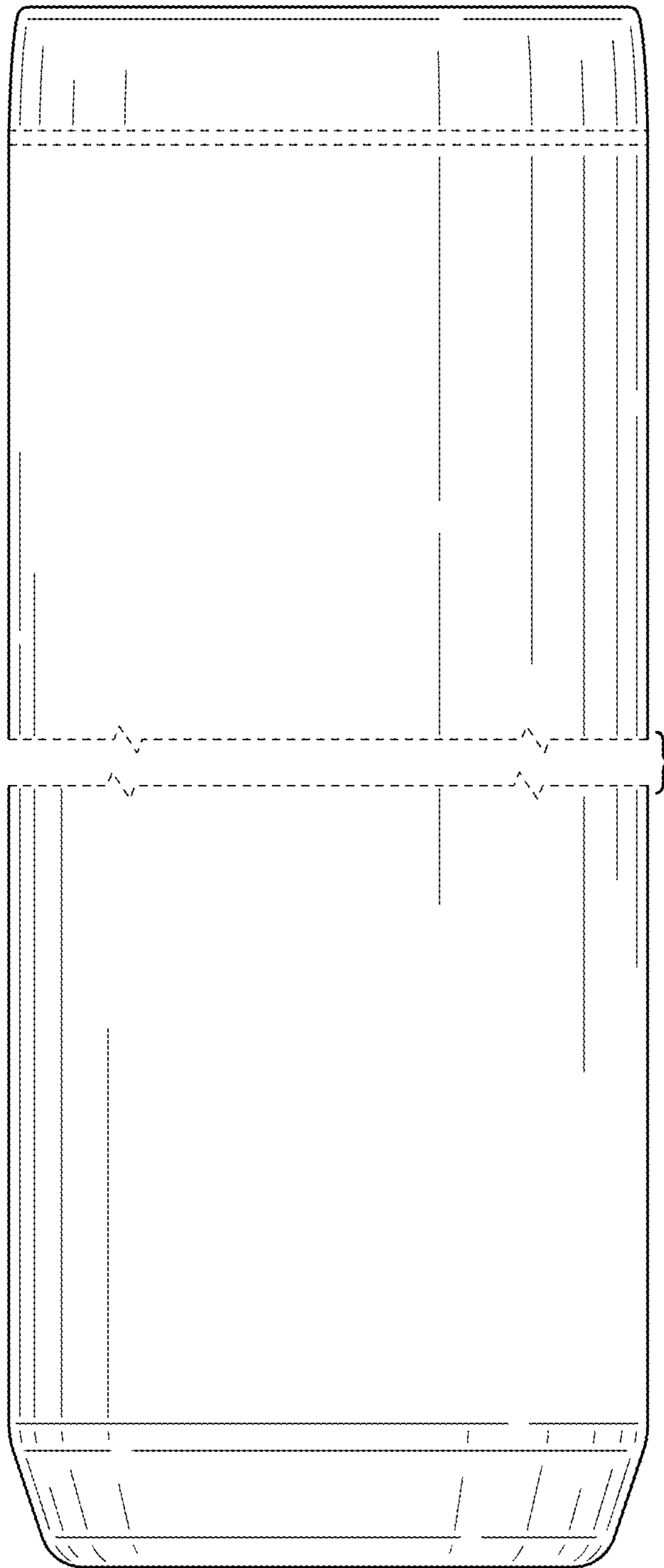


FIG. 18

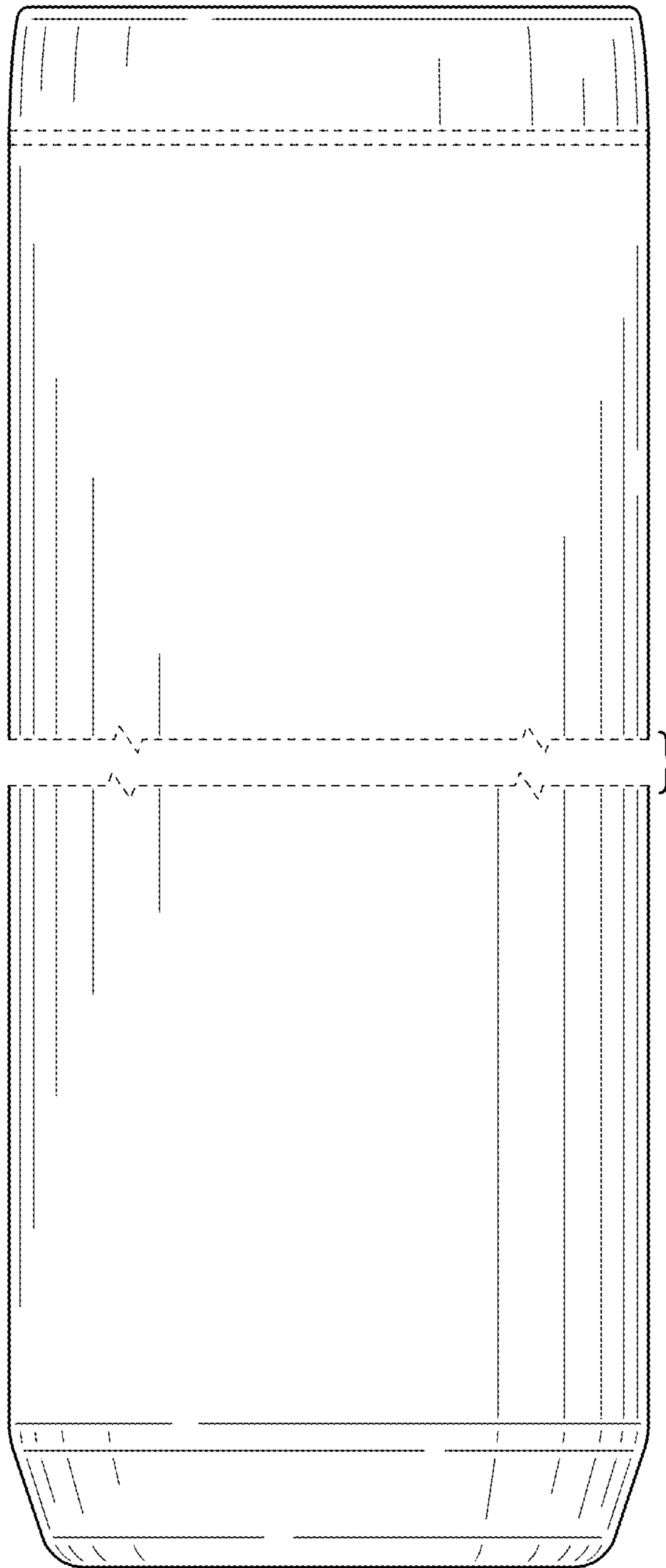


FIG. 19

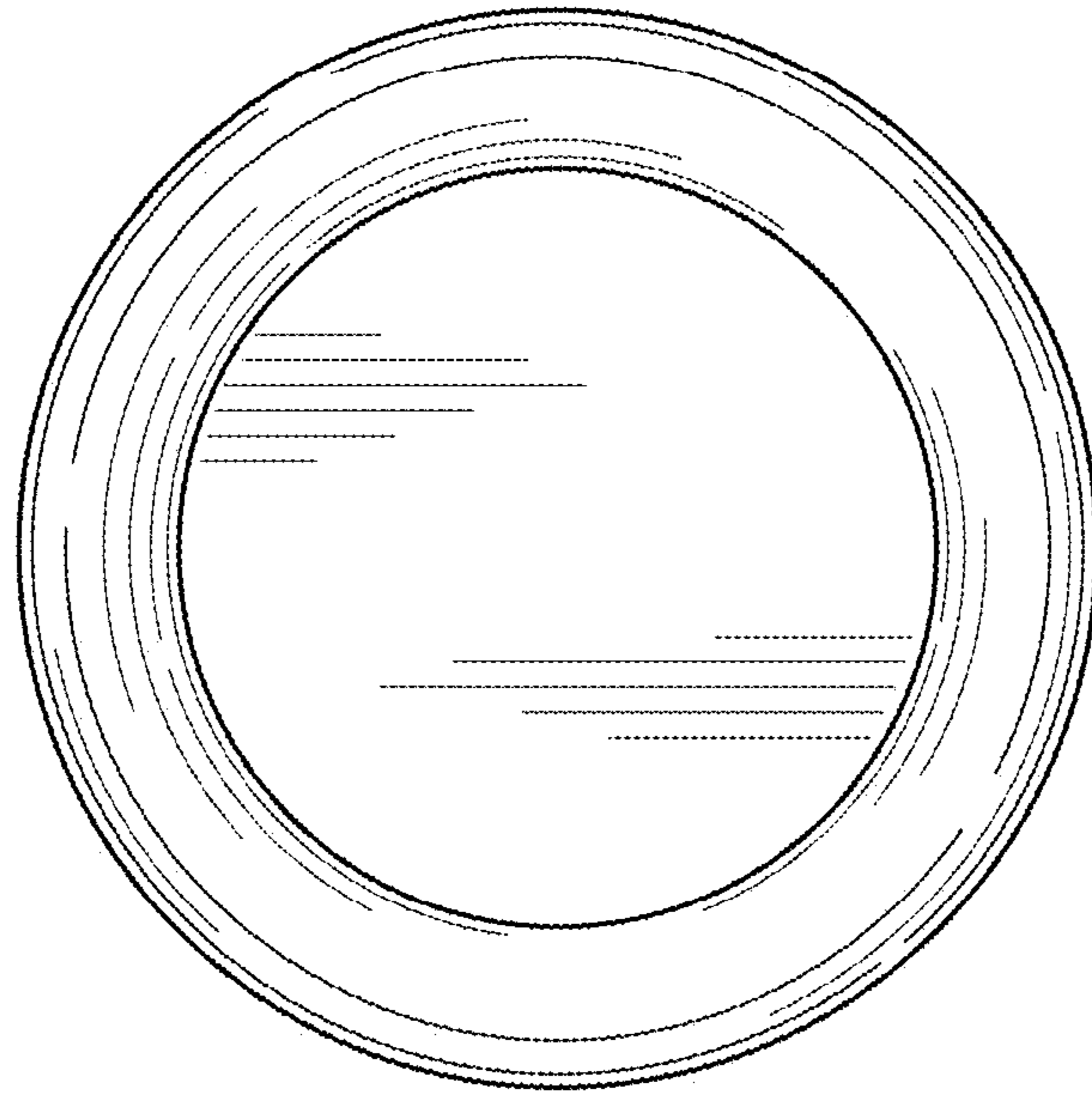


FIG. 20

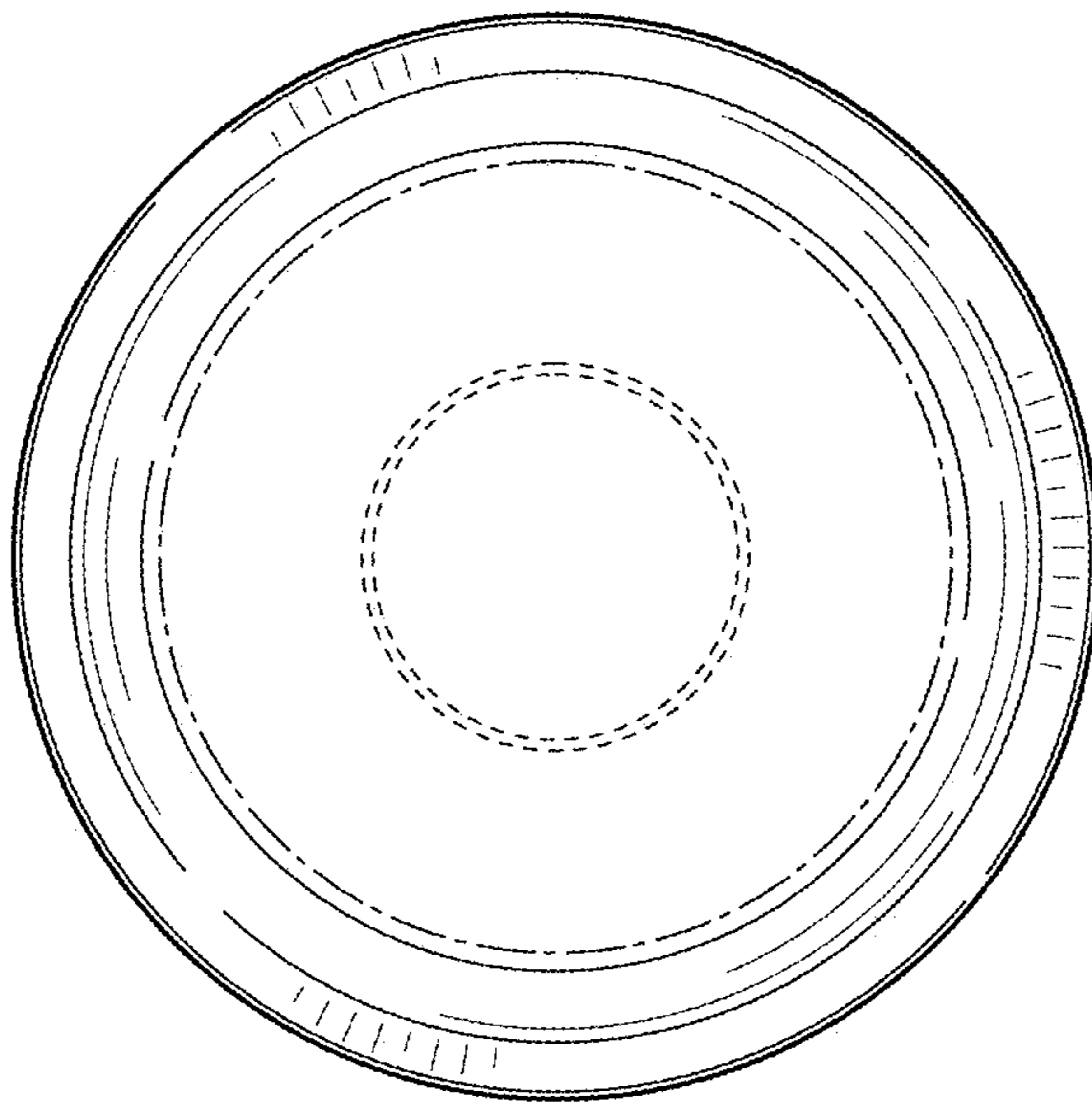


FIG. 21