



US00D878159S

(12) **United States Design Patent**
Recht

(10) **Patent No.:** **US D878,159 S**
(45) **Date of Patent:** **** Mar. 17, 2020**

(54) **DRINKING GLASS**

(71) Applicant: **Serial Future Visions, Inc.**, Brooklyn, NY (US)

(72) Inventor: **Sruli Recht**, Brooklyn, NY (US)

(73) Assignee: **Serial Future Visions, Inc.**, Brooklyn, NY (US)

(**) Term: **15 Years**

(21) Appl. No.: **29/656,632**

(22) Filed: **Jul. 13, 2018**

(51) **LOC (12) Cl.** **07-01**

(52) **U.S. Cl.**
USPC **D7/523; D7/530**

(58) **Field of Classification Search**
USPC D7/507, 413, 509, 510, 511, 529, 530, D7/531, 536, 300.1, 591, 584, 586, 387, D7/361, 619.1, 602, 523, 532; D10/46.2; D9/425, 905, 503, 504, 738, 547; 220/592.2

CPC A47G 19/22; A47G 19/2288; A47G 19/2211; A47G 19/2222; A47G 19/2227; A47G 19/2205; A47G 19/2266; A47G 19/12; A47J 41/02; A47J 43/27; A47J 41/0077; A47J 41/0088; A47J 41/028; B65D 47/066; B65D 81/3869

See application file for complete search history.

(56) **References Cited**

U.S. PATENT DOCUMENTS

D105,431 S *	7/1937	Cobel	D7/531
D122,691 S *	9/1940	Nicholson	D7/530
D165,249 S	11/1951	Soyster		
D219,529 S	12/1970	Carl		
D256,309 S	8/1980	Saffell		
D293,869 S	1/1988	Durand		
D308,318 S	6/1990	Durand		
D424,377 S	5/2000	Wyche		

D508,372 S	8/2005	Martinez-Lopez		
D521,318 S	5/2006	Huang		
D550,033 S	9/2007	Bodum		
D550,034 S	9/2007	Bodum		
D553,909 S	10/2007	Bodum		
D565,354 S	4/2008	Bodum		
D595,090 S	6/2009	Benson		
D597,792 S *	8/2009	Lion	D7/509
D622,548 S	8/2010	Jensen et al.		
D682,088 S *	5/2013	de Urquijo Carmona	D9/428
D682,089 S	5/2013	Bourguignon		

(Continued)

OTHER PUBLICATIONS

<http://www.dudeiwantthat.com/household/bar/rauk-heavy-tumbler-crystal-whiskey-glass.asp> (Year: 2018).*

Primary Examiner — Marianne N Pandozzi

Assistant Examiner — Jae Liang

(74) *Attorney, Agent, or Firm* — Jeffrey Schox; Diana Lin

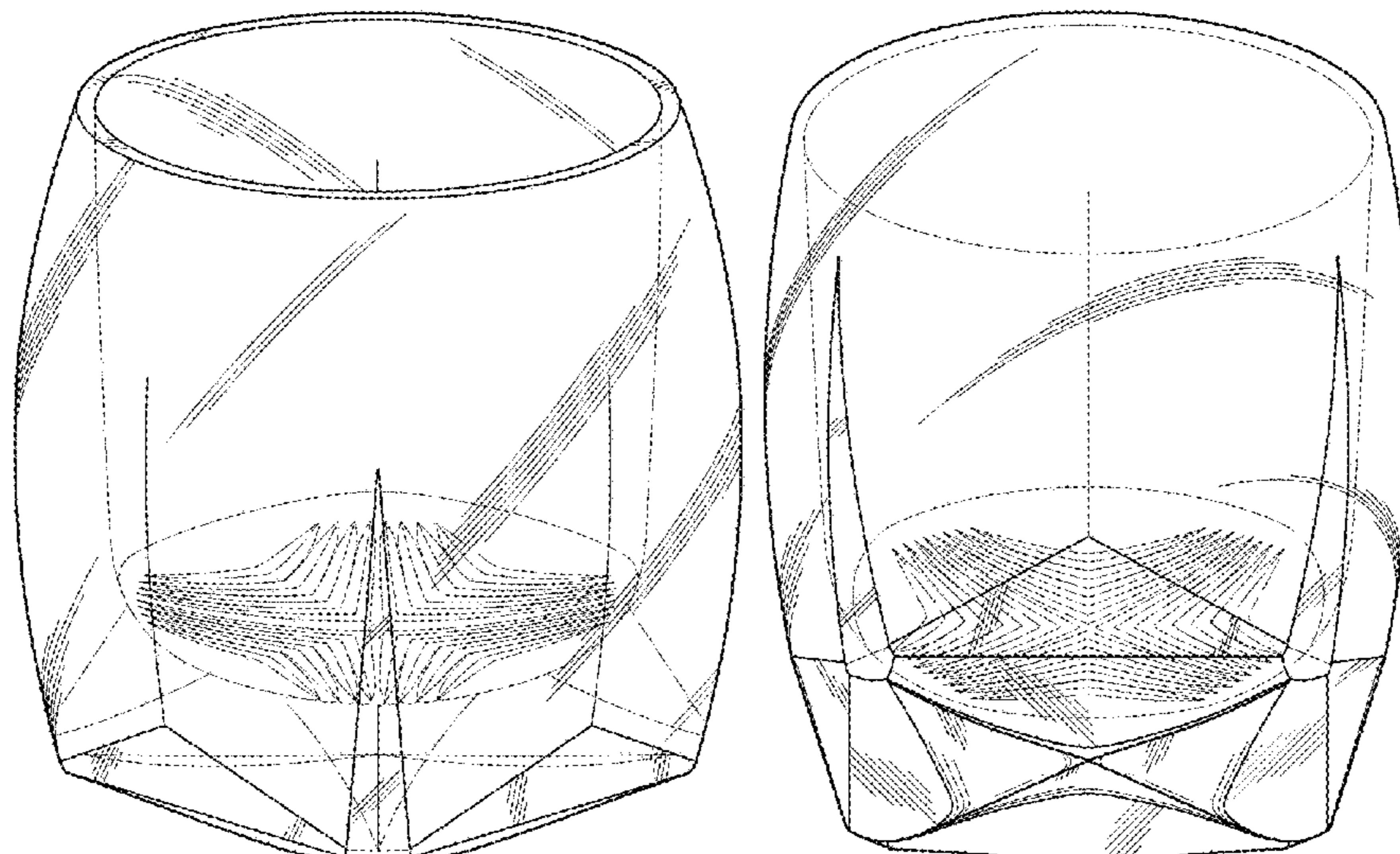
(57) **CLAIM**

I claim the ornamental design for a drinking glass, as shown and described.

DESCRIPTION

FIG. 1 is an isometric view, from an upper front right, of a drinking glass showing my new design;
 FIG. 2 is an isometric view, from a lower back, of the drinking glass;
 FIG. 3 is a plan view of a top of the drinking glass;
 FIG. 4 is an elevation view of a right side of the drinking glass;
 FIG. 5 is an elevation view of a back right side of the drinking glass;
 FIG. 6 is a plan view of a bottom of the drinking glass;
 FIG. 7 is a cross-section view of the drinking glass, showing a section taken along line 7-7 of FIG. 3; and,
 FIG. 8 is a cross-section view of the drinking glass, showing a section taken along line 8-8 of FIG. 3.

1 Claim, 4 Drawing Sheets



(56)

References Cited

U.S. PATENT DOCUMENTS

D695,569 S	12/2013	Huckestein et al.	
D698,603 S	2/2014	Huckestein	
D714,589 S	10/2014	Uchida	
D744,283 S	12/2015	Thun et al.	
D744,284 S	12/2015	Thun et al.	
D746,108 S	12/2015	Di	
9,227,772 B2	1/2016	Perrulli et al.	
D776,979 S	1/2017	Recht	
D790,924 S *	7/2017	Hume	D7/523
D796,263 S *	9/2017	Recht	D7/523
D805,850 S *	12/2017	De Martelaere	D7/604
D828,096 S *	9/2018	Moore	D7/523

* cited by examiner

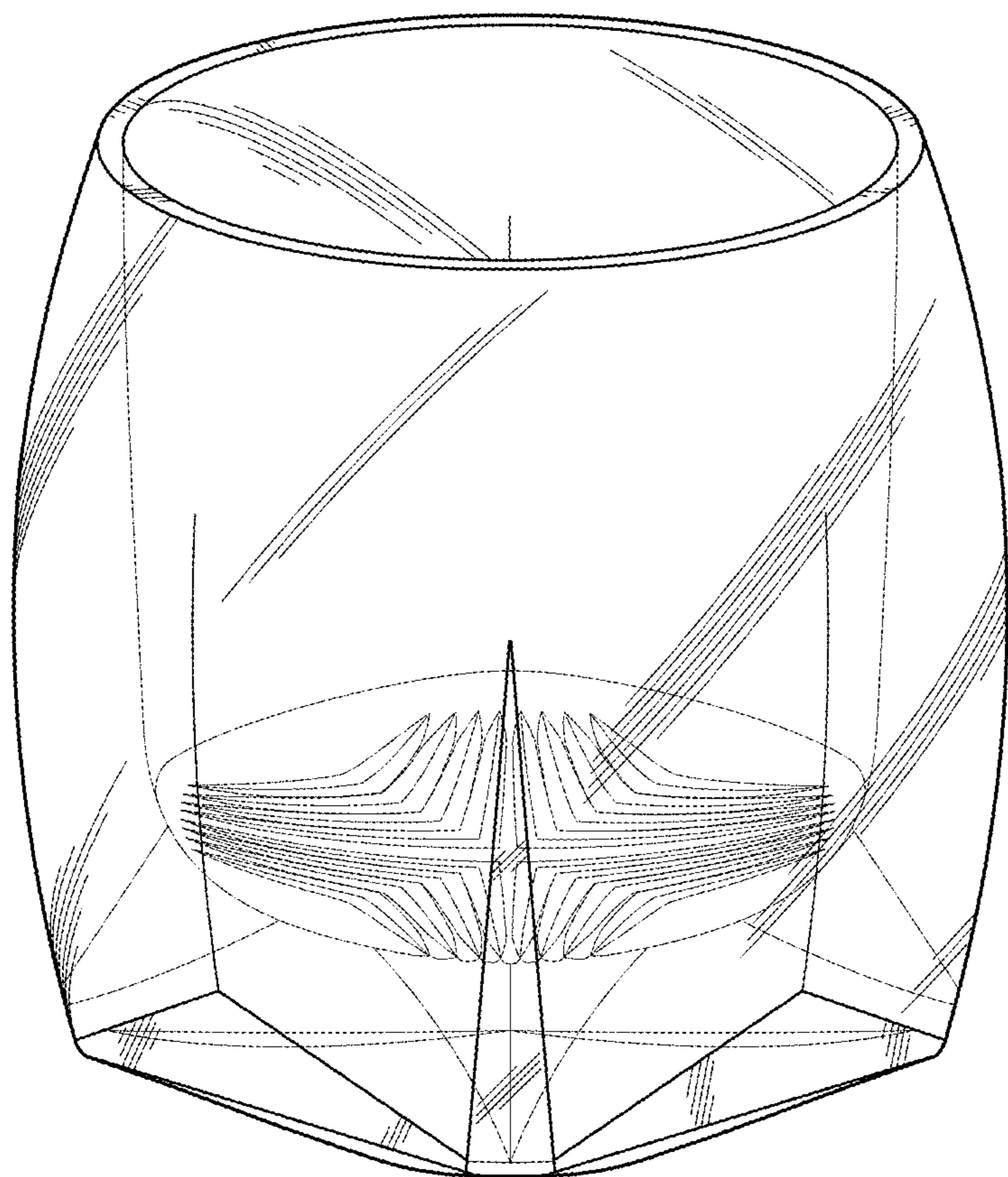


FIG. 1

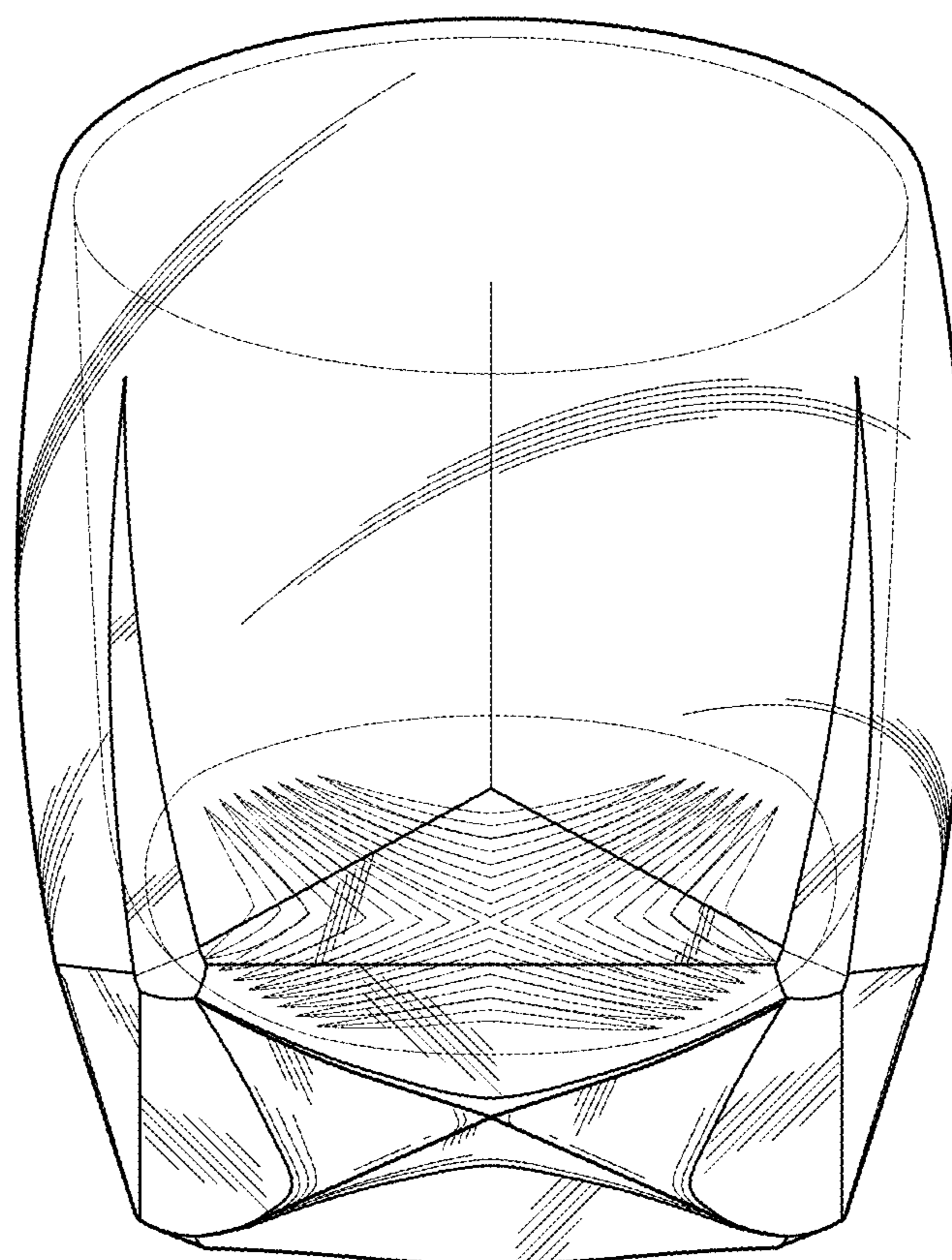


FIG. 2

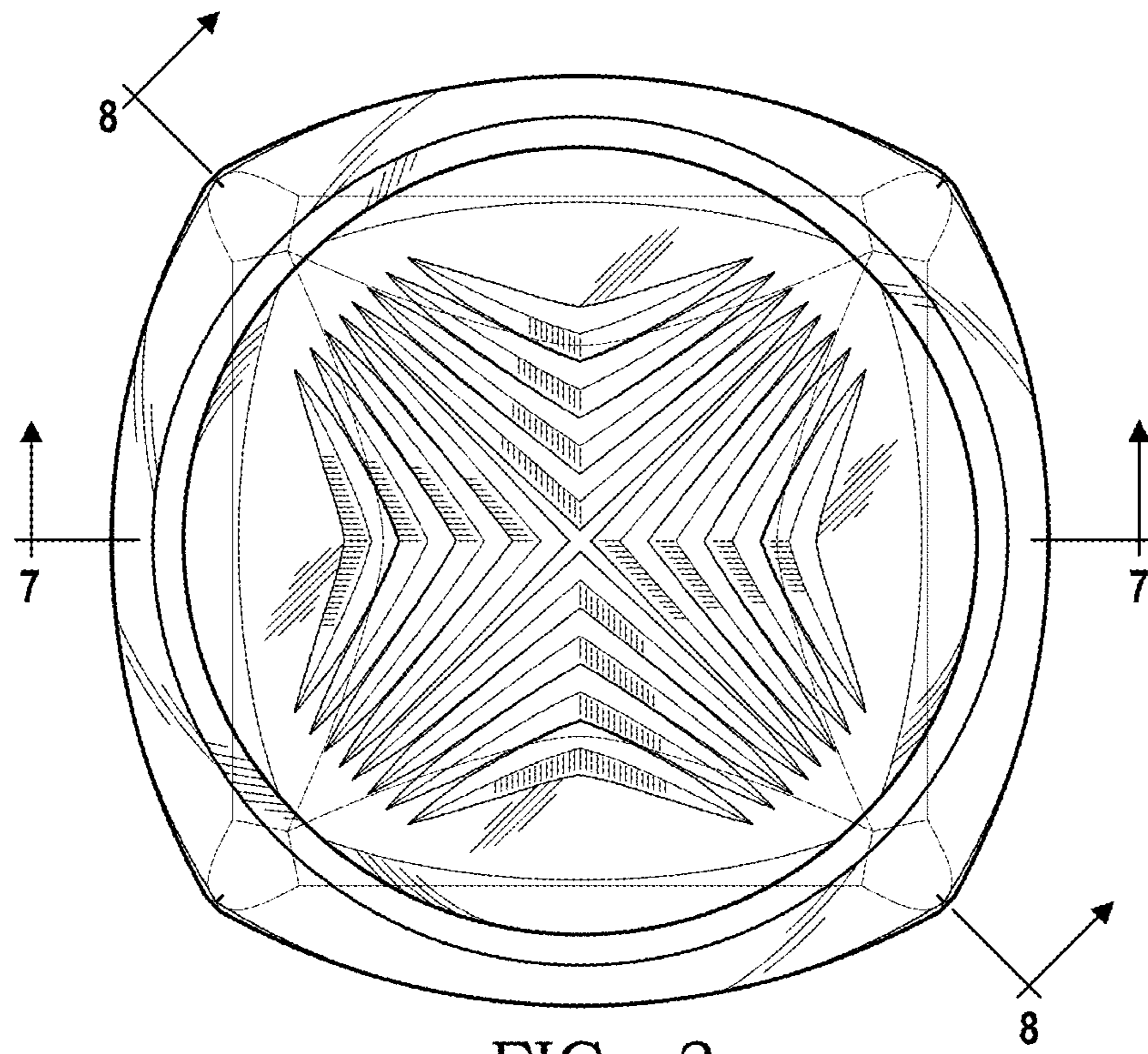


FIG. 3

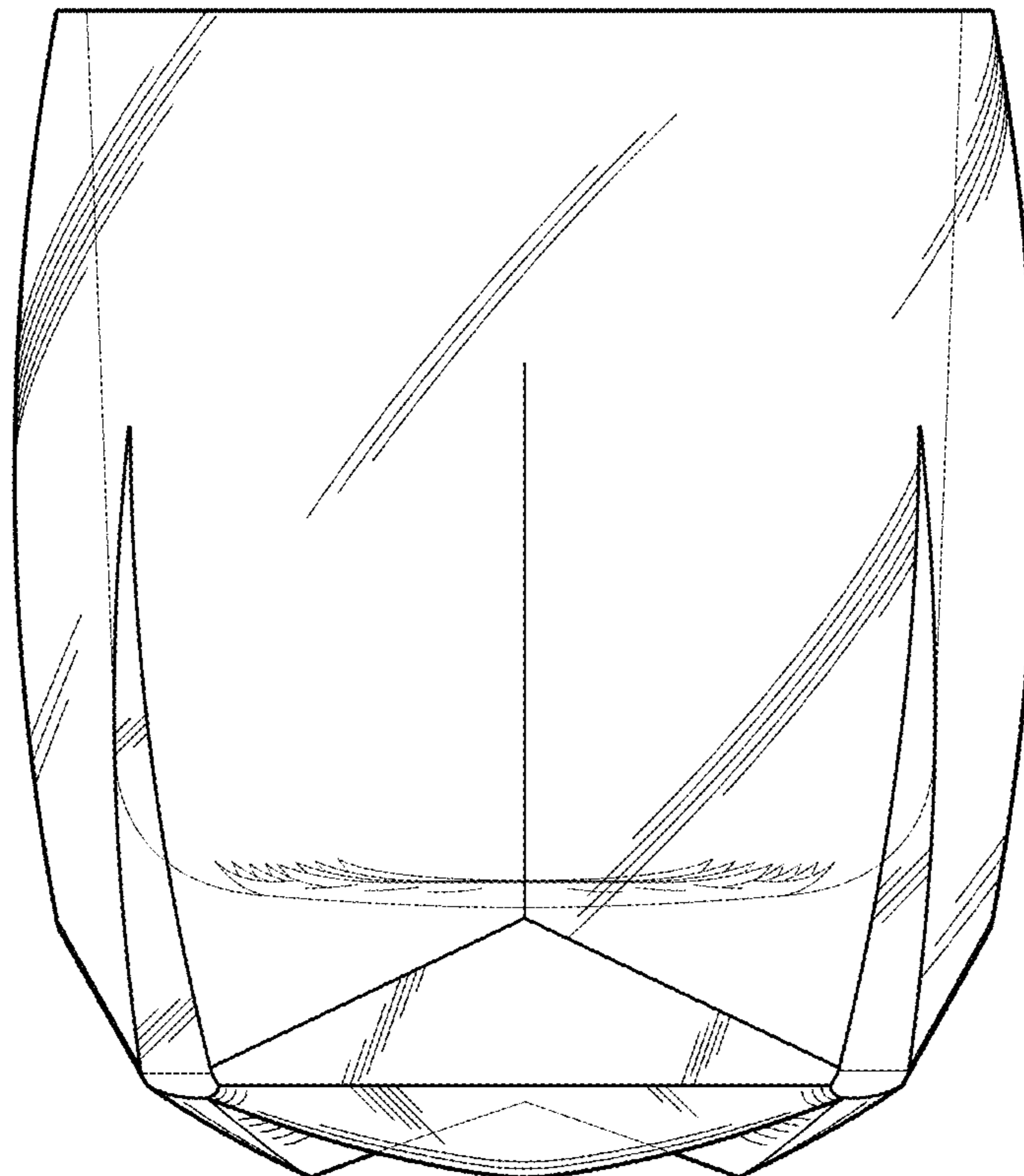


FIG. 4

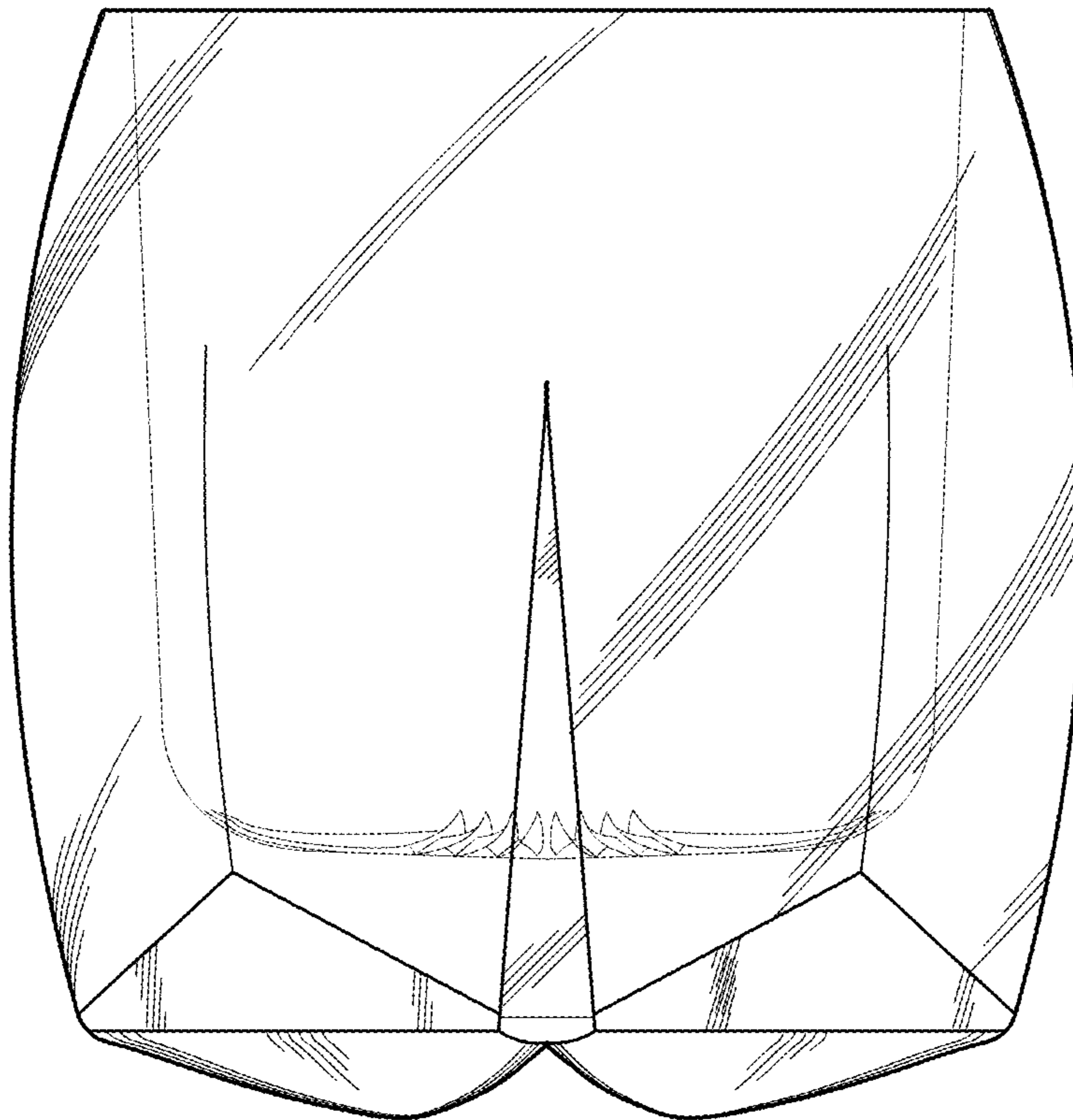


FIG. 5

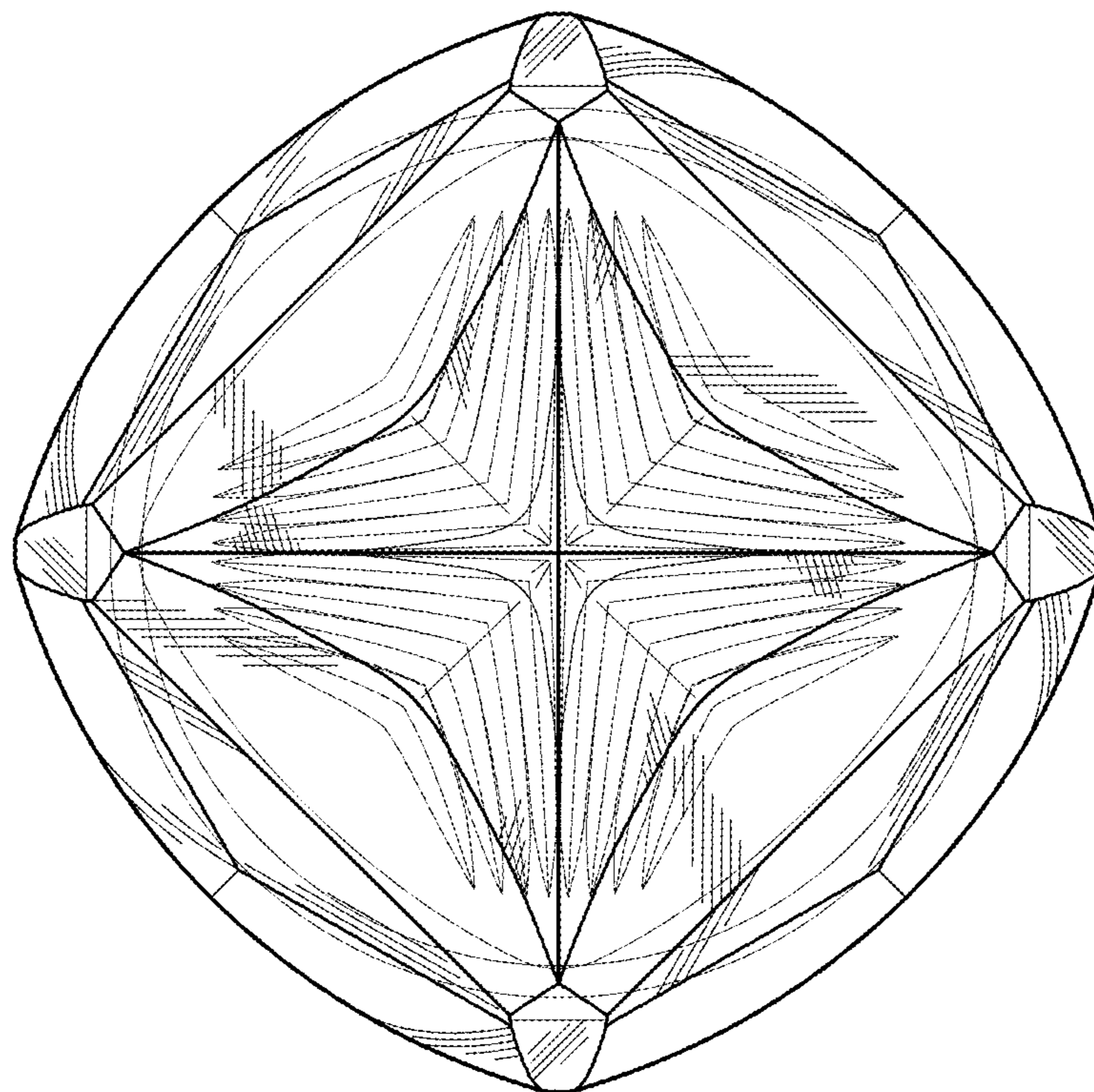


FIG. 6

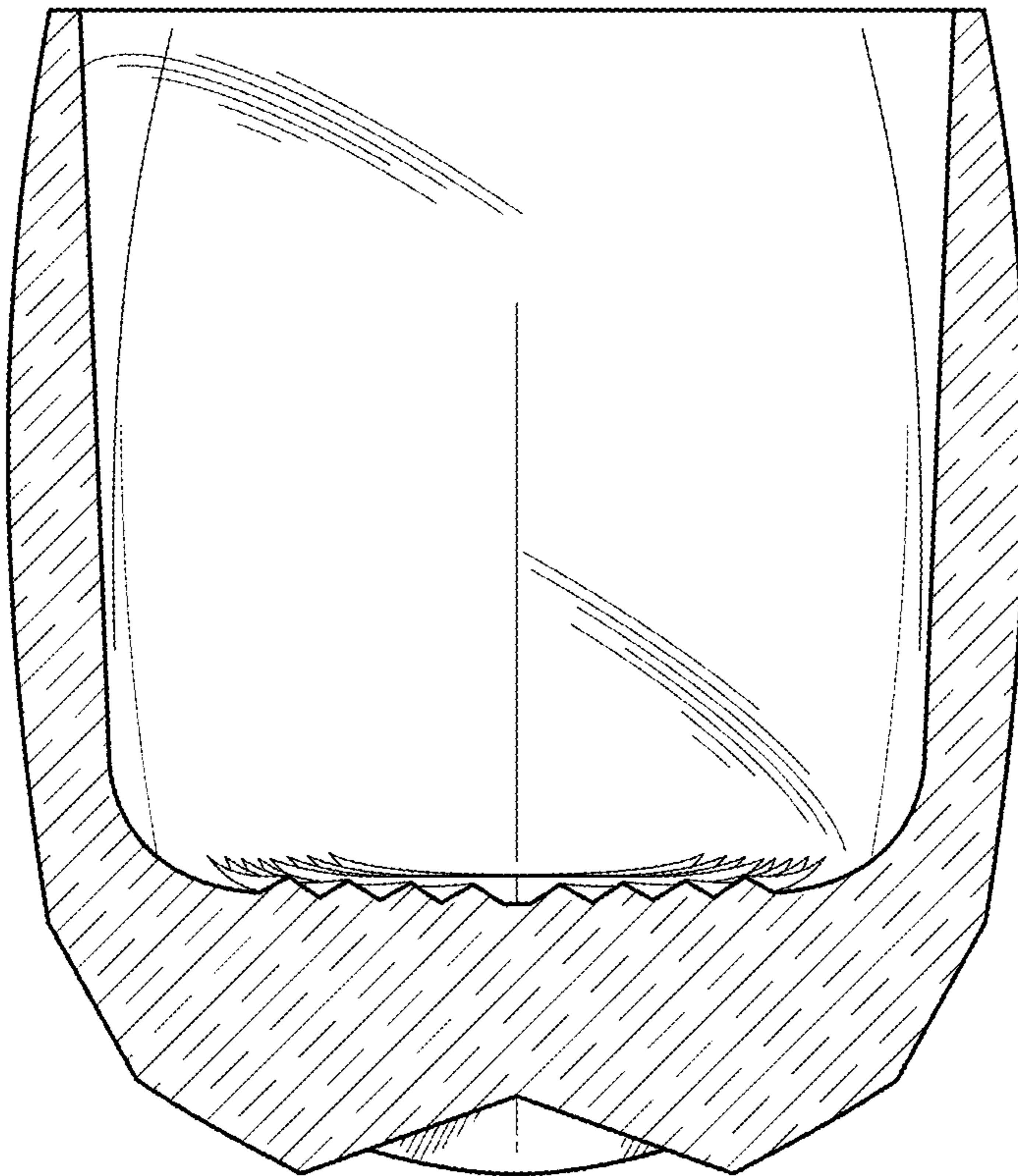


FIG. 7

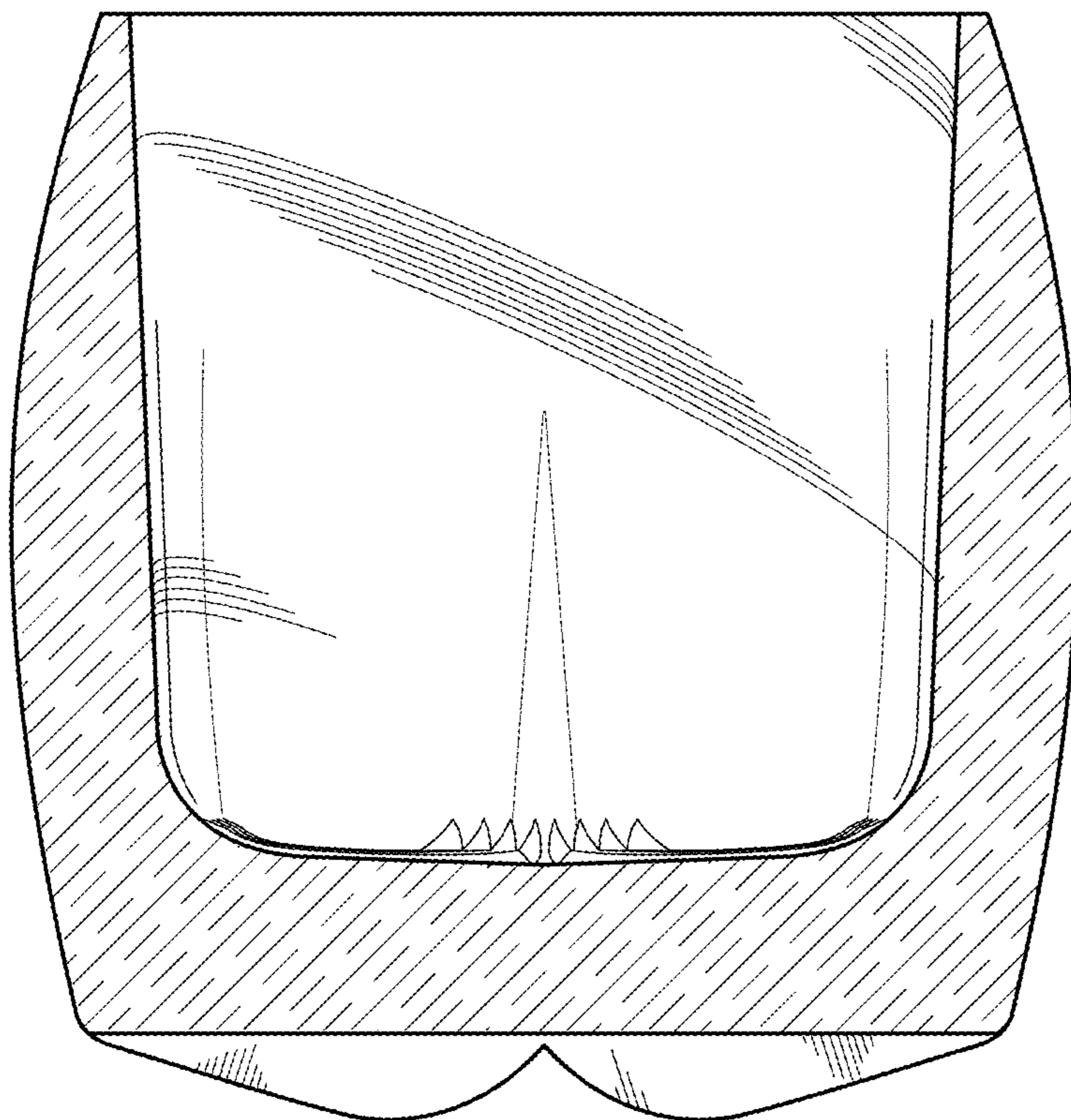


FIG. 8