

US00D878155S

(12) **United States Design Patent**  
**Peng**

(10) **Patent No.:** **US D878,155 S**

(45) **Date of Patent:** **\*\* Mar. 17, 2020**

(54) **BOTTLE**

(71) Applicant: **Pandian Peng**, Shenzhen (CN)

(72) Inventor: **Pandian Peng**, Shenzhen (CN)

(\*\*) Term: **15 Years**

(21) Appl. No.: **29/621,425**

(22) Filed: **Oct. 8, 2017**

(51) **LOC (12) Cl.** ..... **07-01**

(52) **U.S. Cl.**  
USPC ..... **D7/510; D7/529; D7/532**

(58) **Field of Classification Search**  
USPC ..... D7/507, 509, 510, 511, 523, 529, 531,  
D7/532, 533, 536, 392.1, 396.2, 300.2,  
D7/608, 387, 589; D9/500, 501, 502,  
D9/503, 530, 516, 453, 447; 220/592.16,  
220/592.17; D10/46.2  
CPC ..... A47G 19/2205; A47G 19/22; A47G  
19/2266; B65D 47/066; A45F 3/16; A47J  
41/02

See application file for complete search history.

(56) **References Cited**

**U.S. PATENT DOCUMENTS**

D528,921 S \* 9/2006 Leoncavallo ..... D7/511  
D704,001 S \* 5/2014 Lane ..... D7/509  
D758,790 S \* 6/2016 Boroski ..... D7/392.1

D766,090 S \* 9/2016 Boroski ..... D7/509  
D767,337 S \* 9/2016 Boroski ..... D7/510  
D780,578 S \* 3/2017 Lane ..... D7/396.2  
D786,018 S \* 5/2017 Willows ..... D7/509  
D793,227 S \* 8/2017 Maskell ..... D7/602  
D808,714 S \* 1/2018 Boroski ..... D7/396.4  
D821,137 S \* 6/2018 Boroski ..... D7/392.1  
2014/0175098 A1 \* 6/2014 Lane ..... A45F 3/16  
220/212.5  
2015/0282654 A1 \* 10/2015 Kurabe ..... A47G 19/2272  
220/254.5  
2016/0296051 A1 \* 10/2016 Lane ..... B65D 47/066

\* cited by examiner

*Primary Examiner* — Jae Liang

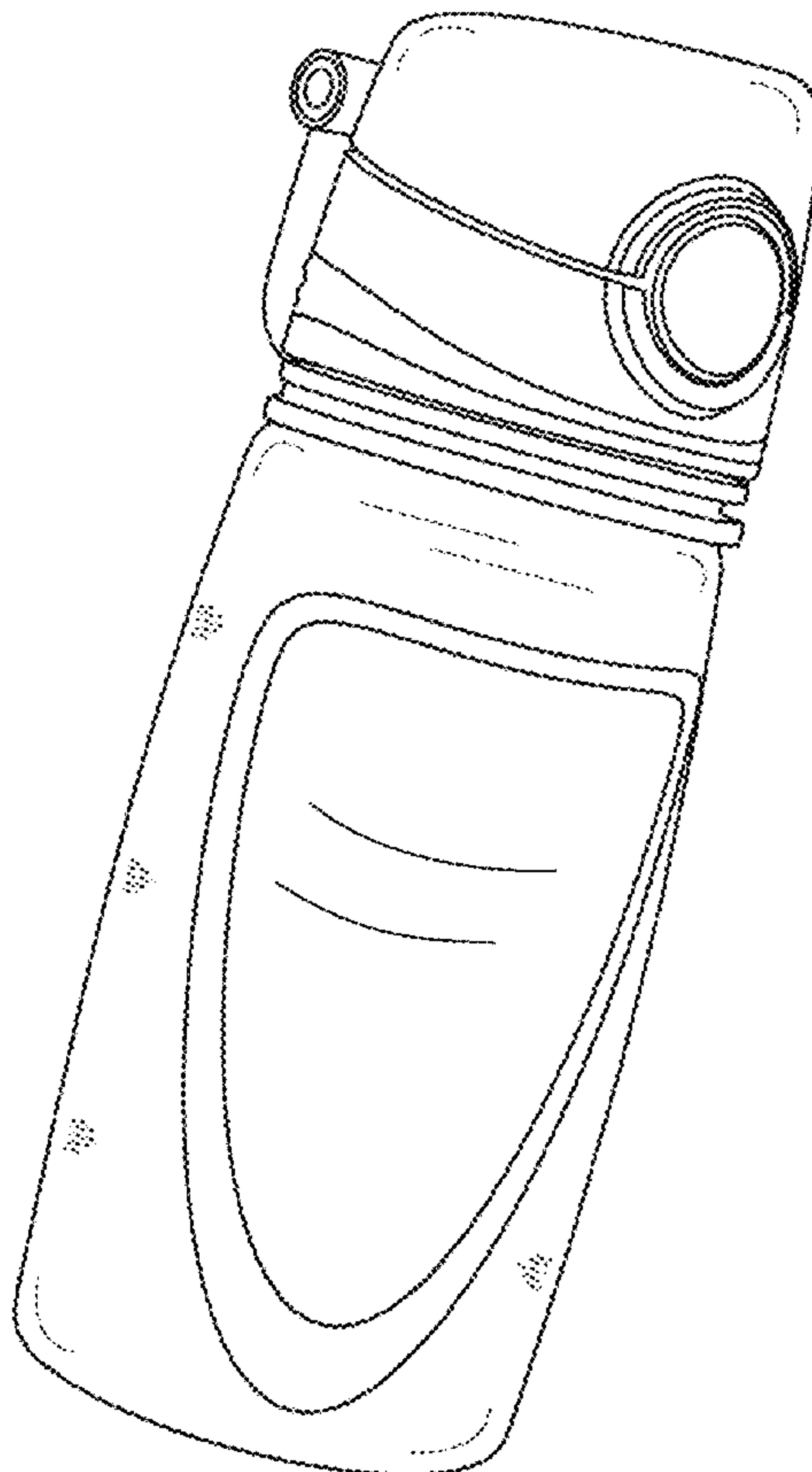
(57) **CLAIM**

the ornamental design for a bottle, as shown and described.

**DESCRIPTION**

FIG. 1 is a perspective view of a bottle showing my new design;  
FIG. 2 is a front elevational view thereof;  
FIG. 3 is a rear elevational view thereof;  
FIG. 4 is a left side elevational view thereof;  
FIG. 5 is a right right elevational view thereof;  
FIG. 6 is a top view thereof; and,  
FIG. 7 is a bottom view thereof with the lid portion of the bottle removed for clarity of disclosure.  
The broken line showing of portions of the Bottle that form no part of the claimed design.

**1 Claim, 7 Drawing Sheets**



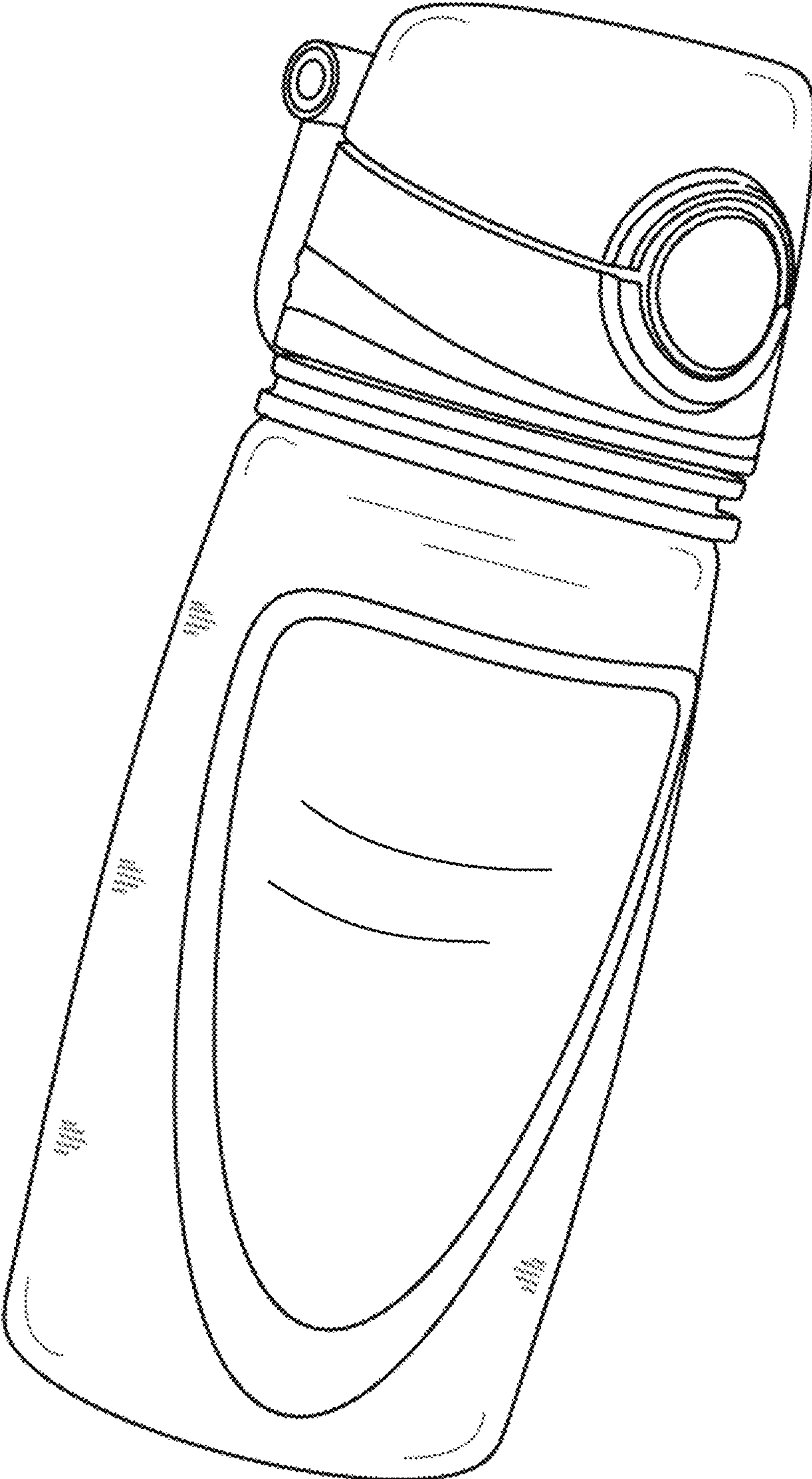


FIG. 1

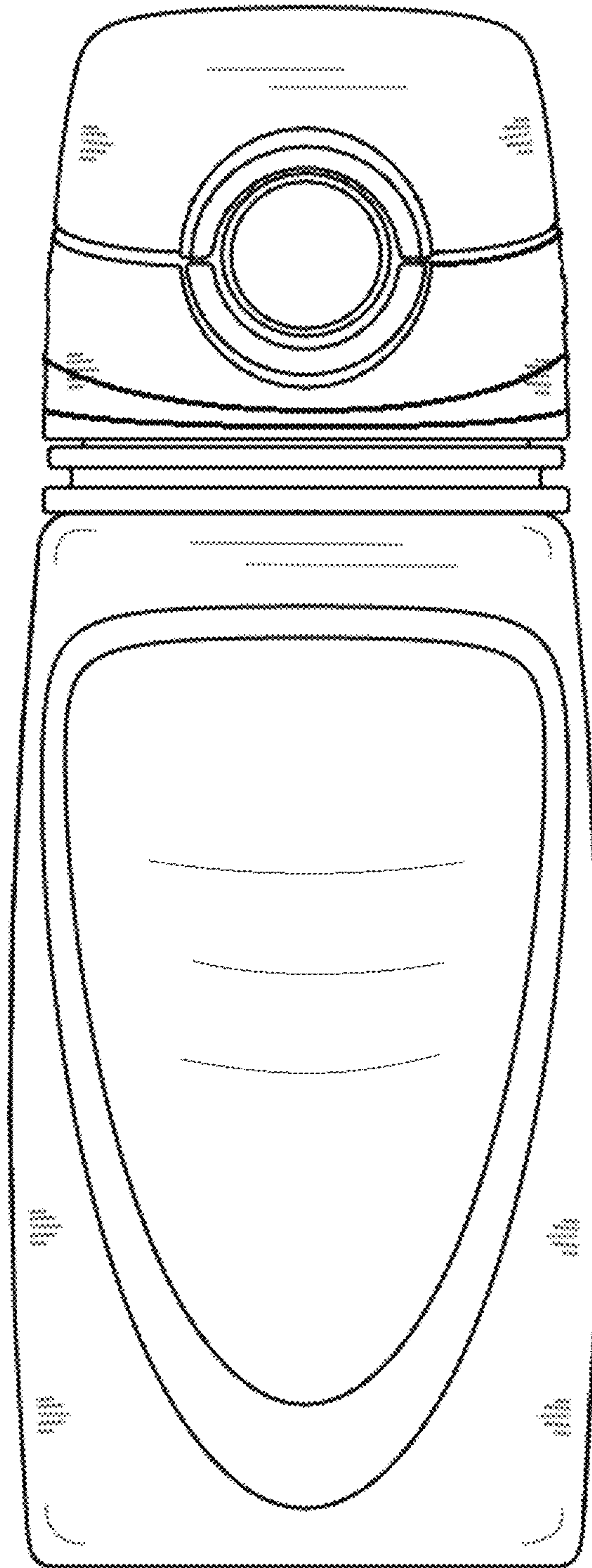


FIG. 2

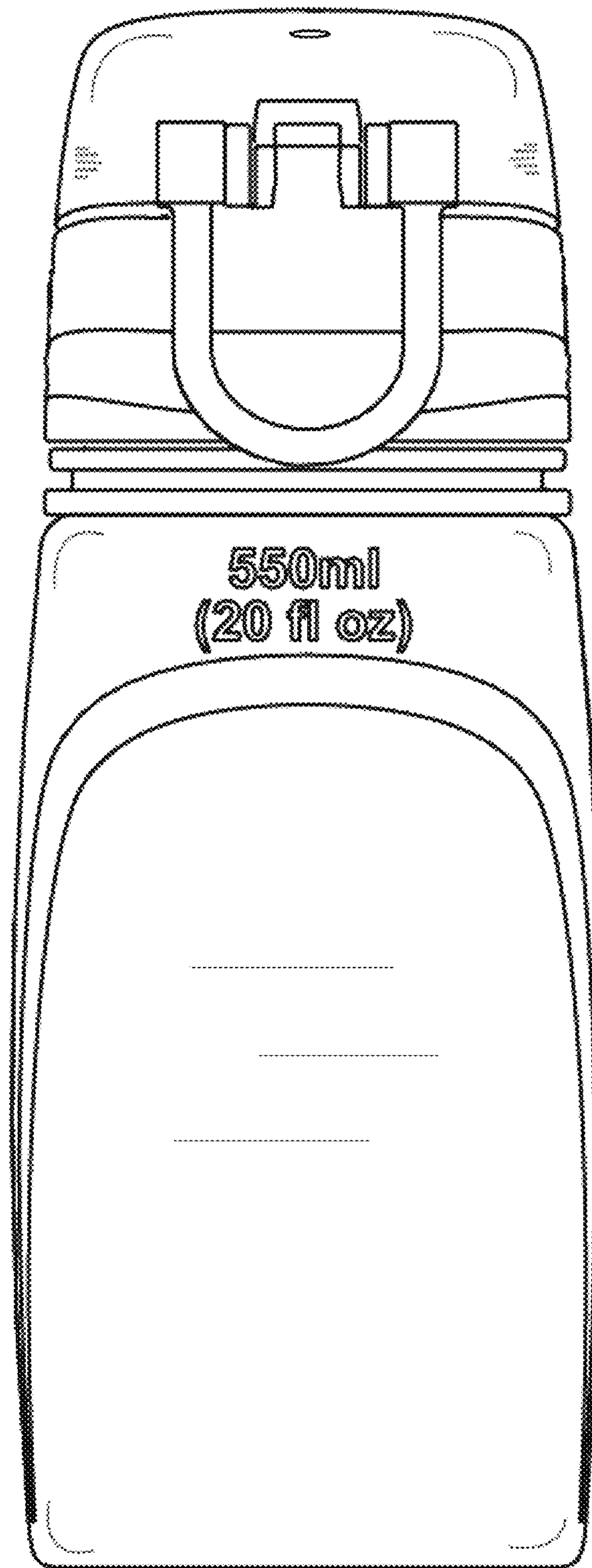


FIG. 3



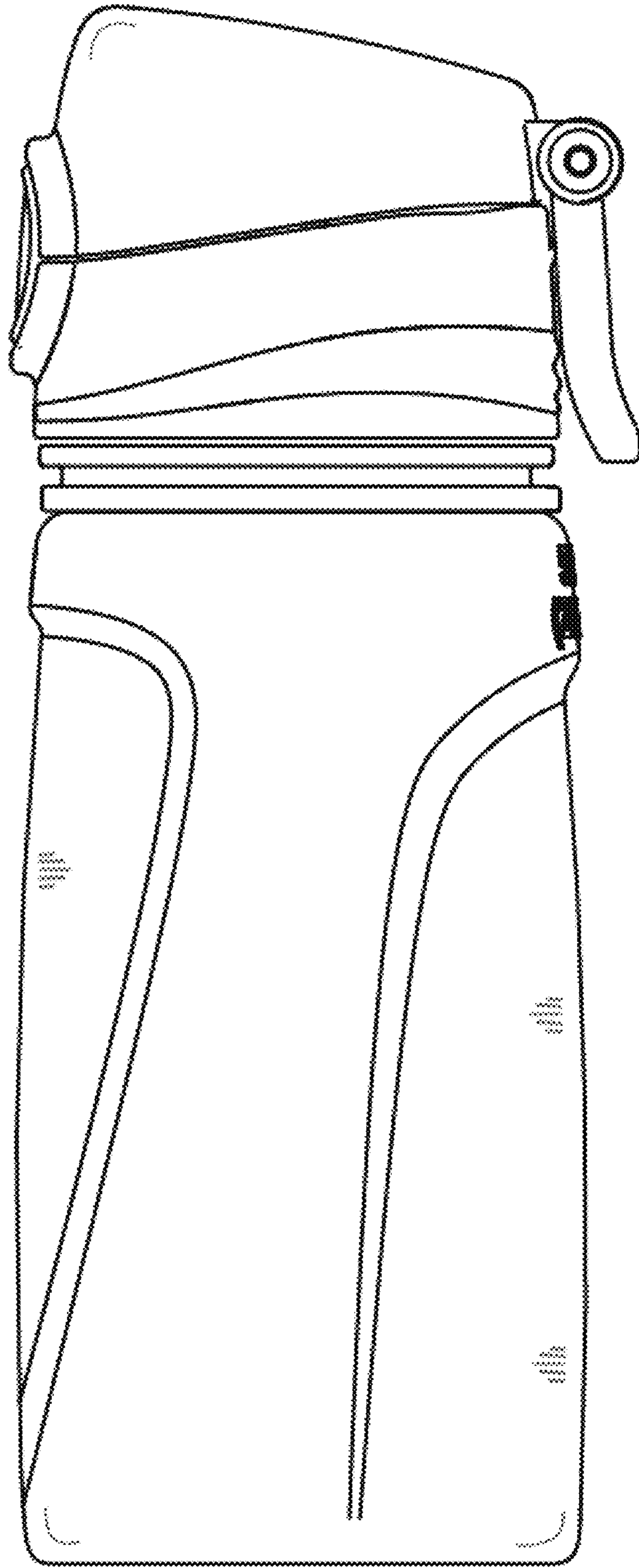


FIG. 4

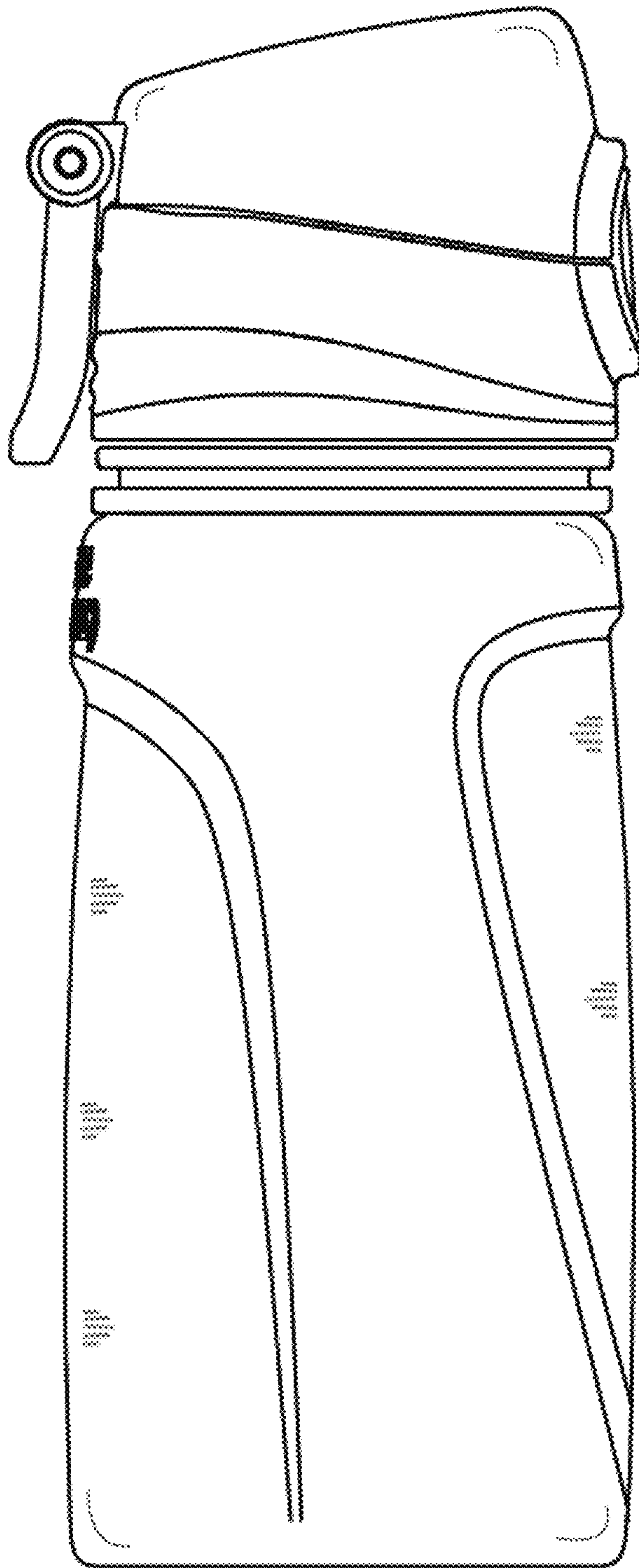


FIG. 5

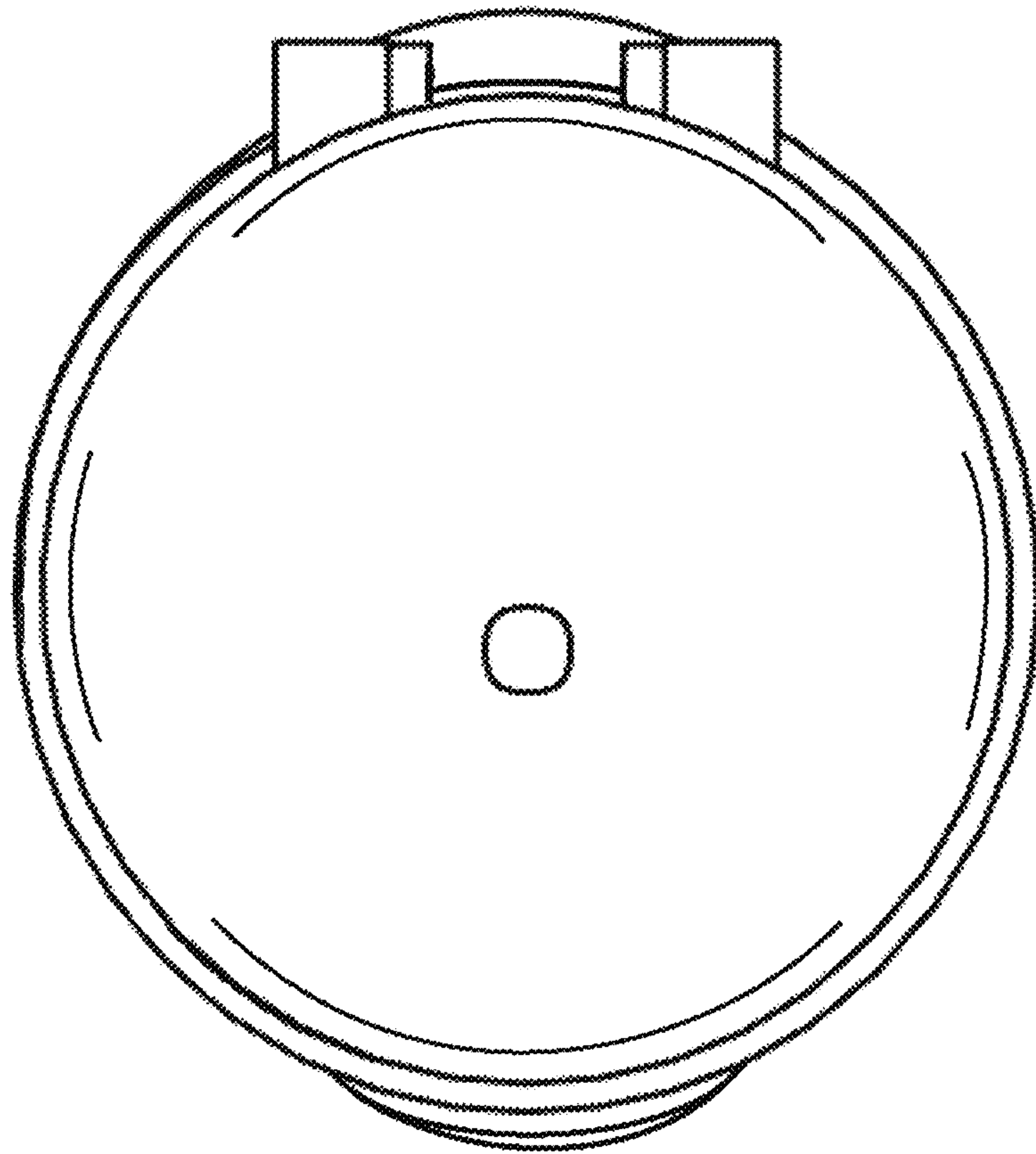


FIG. 6

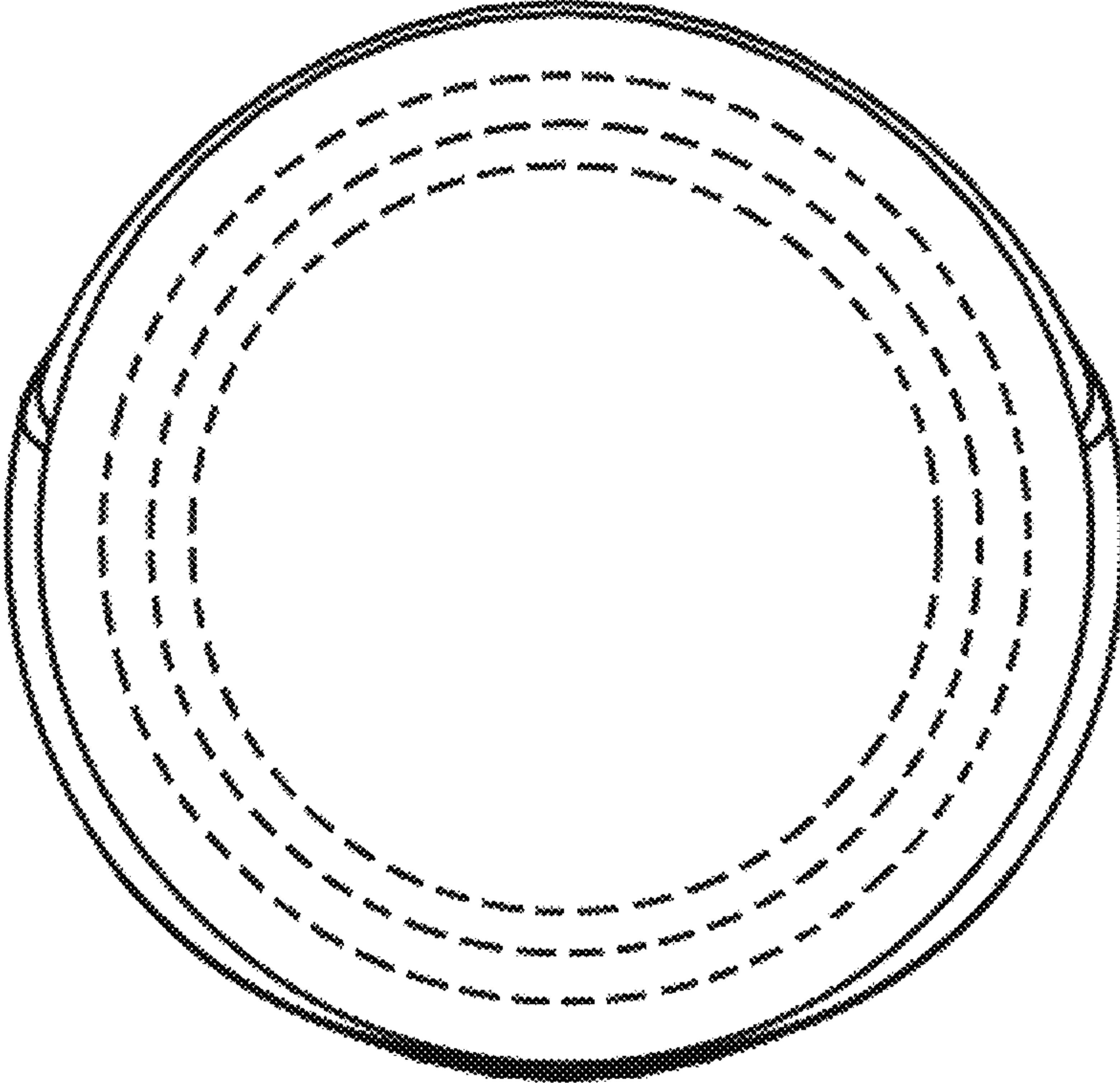


FIG. 7