

US00D878152S

(12) **United States Design Patent** (10) **Patent No.:** **US D878,152 S**
McDonald et al. (45) **Date of Patent:** **** *Mar. 17, 2020**

(54) **UNIVERSAL BOTTLED BEER DISPENSER**
(71) Applicants: **David Arlen McDonald**, Merimack, NH (US); **Phillip Petracca**, Howell, NJ (US); **William Scott Keeley**, Charlestown, RI (US)
(72) Inventors: **David Arlen McDonald**, Merimack, NH (US); **Phillip Petracca**, Howell, NJ (US); **William Scott Keeley**, Charlestown, RI (US)

D654,361 S * 2/2012 Hirata D9/448
D665,667 S * 8/2012 Ghiorghie D9/448
D754,474 S * 4/2016 Minica D7/397
D755,554 S * 5/2016 Lazaris D7/300
9,745,187 B2 * 8/2017 McDonald B67D 1/02
D815,854 S * 4/2018 Weir D6/542
D842,031 S * 3/2019 MacLean-Blevins D7/398
D843,168 S * 3/2019 Donovan D7/398
2011/0095055 A1 * 4/2011 Kakuta B05B 11/3046
222/321.9

* cited by examiner

Primary Examiner — Derrick E Holland

Assistant Examiner — Andrew Kerr

(74) *Attorney, Agent, or Firm* — Keeley DeAngelo LLP

(73) Assignee: **Fizzics Group Inc.**, Manchester, NH (US)

(*) Notice: This patent is subject to a terminal disclaimer.

(**) Term: **15 Years**

(21) Appl. No.: **29/533,316**

(22) Filed: **Jul. 16, 2015**

(51) **LOC (12) Cl.** **07-99**

(52) **U.S. Cl.**
USPC **D7/398**

(58) **Field of Classification Search**
USPC D7/213, 300, 313, 387, 395, 397-399, D7/401.1; D9/434, 435, 436, 439, 440, D9/448, 450; D6/524, 542
CPC B67D 1/00; B67D 1/1405; B67D 1/10; B67D 1/12
See application file for complete search history.

(56) **References Cited**

U.S. PATENT DOCUMENTS

D480,642 S * 10/2003 Dretzka D6/542
D480,643 S * 10/2003 Dretzka D6/542

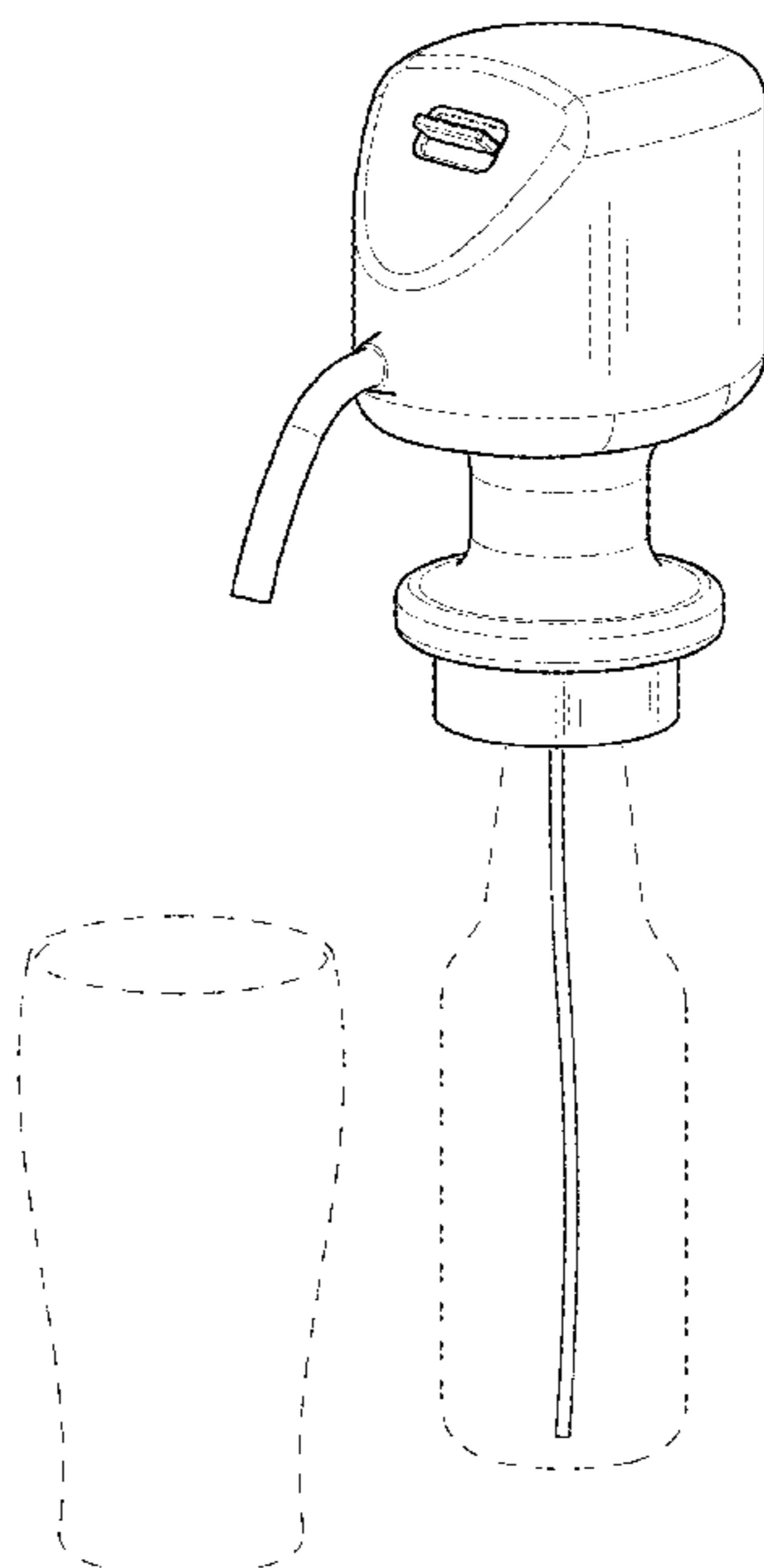
(57) **CLAIM**

The ornamental design for a universal bottled beer dispenser, as shown.

DESCRIPTION

FIG. 1 is a front right perspective view of a universal bottled beer dispenser showing our new design; FIG. 2 is a rear right perspective view thereof; FIG. 3 is a front plan view thereof; FIG. 4 is a side elevation view thereof; thereof; FIG. 5 is a rear elevation view thereof; FIG. 6 is another side elevation view thereof; FIG. 7 is a top plan view thereof; and, FIG. 8 is a bottom plan view thereof. The broken lines showing portions of the universal bottled beer dispenser are for the purpose of illustrating environmental structure and form no part of the claimed design.

1 Claim, 8 Drawing Sheets



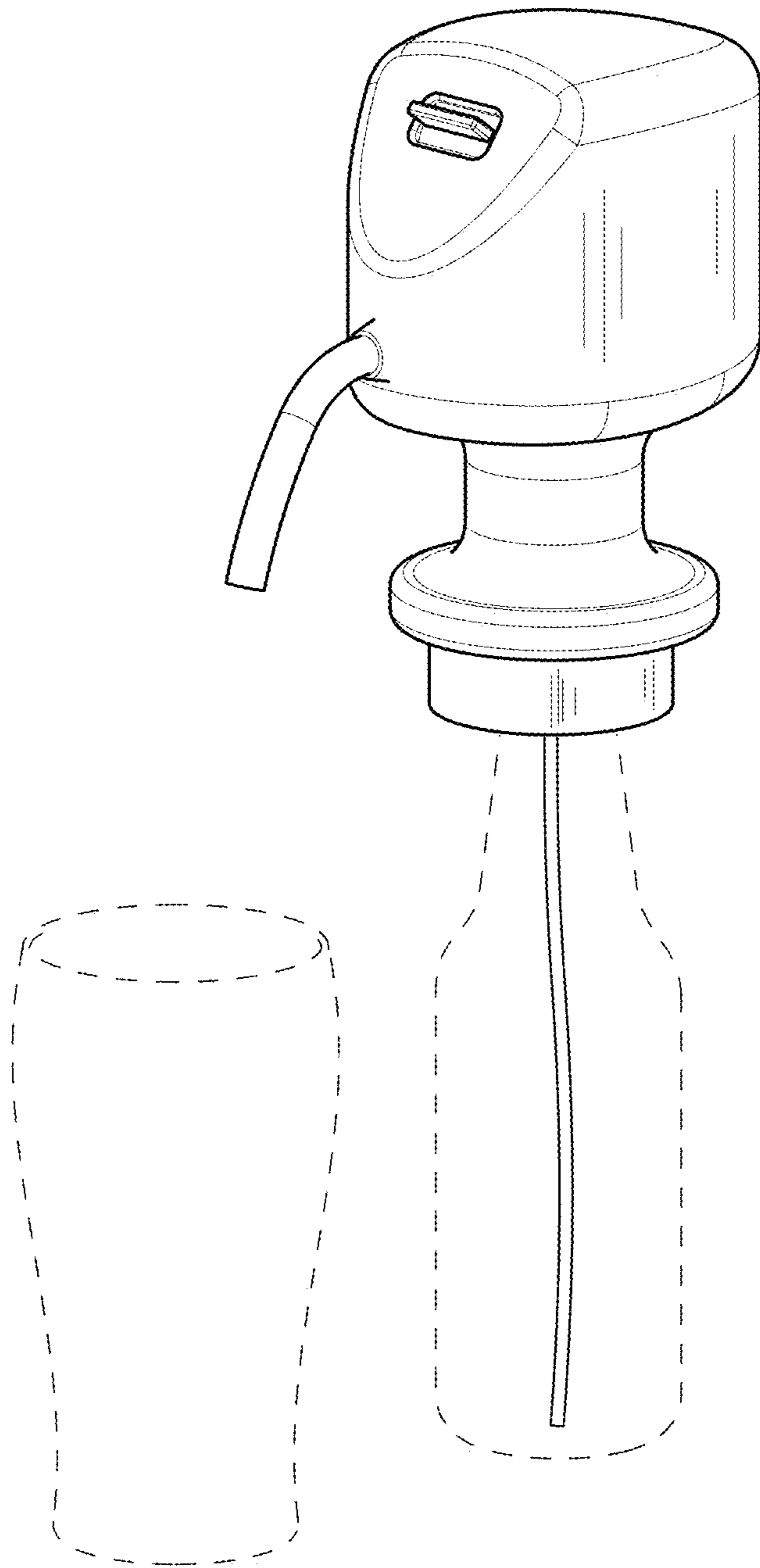


Figure 1

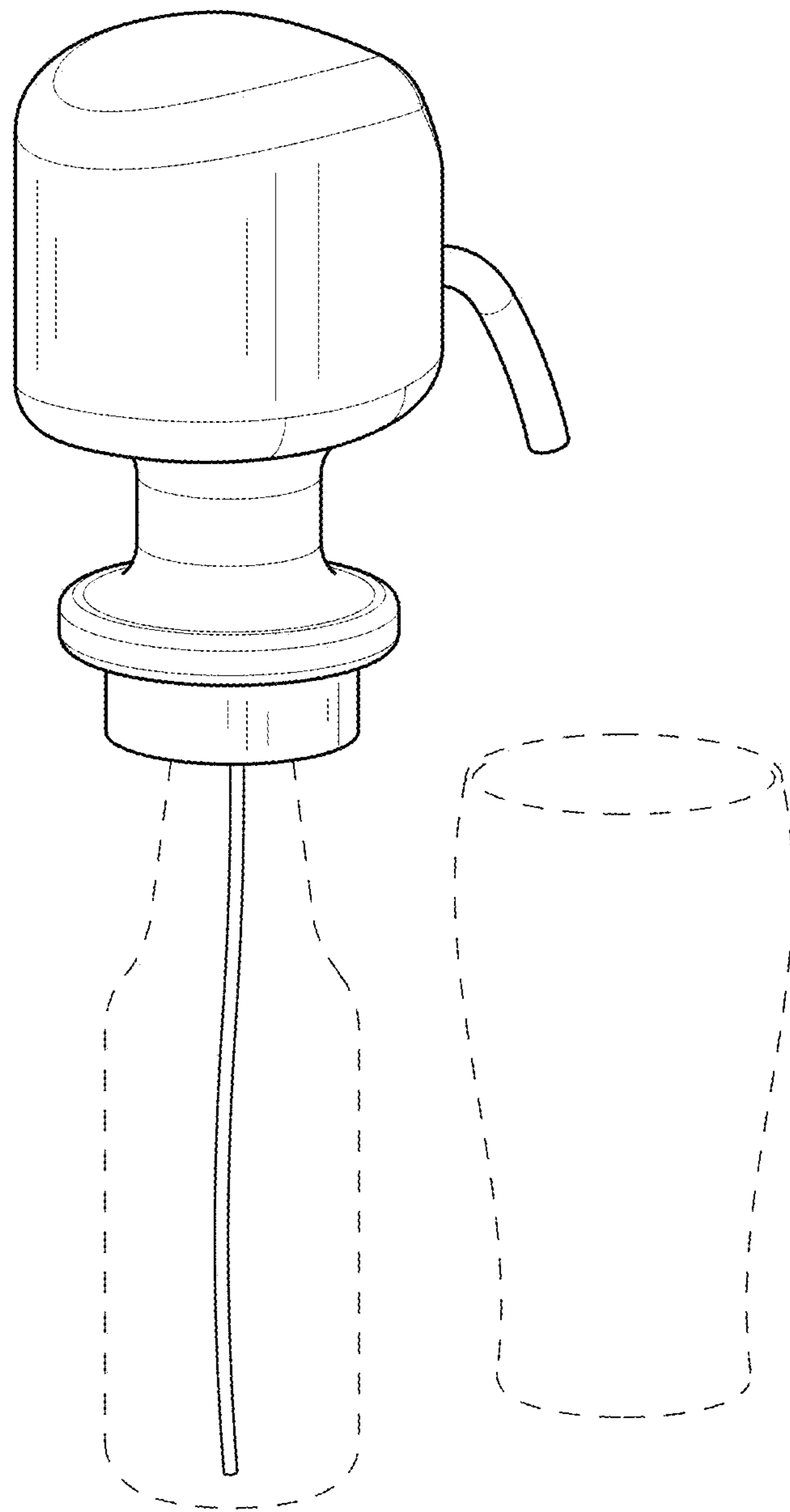


Figure 2

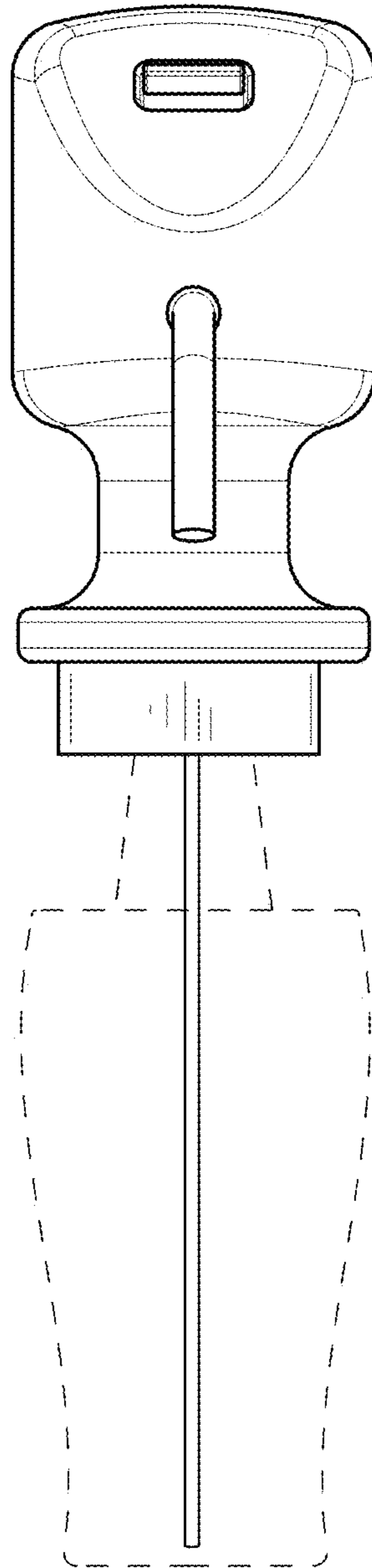


Figure 3

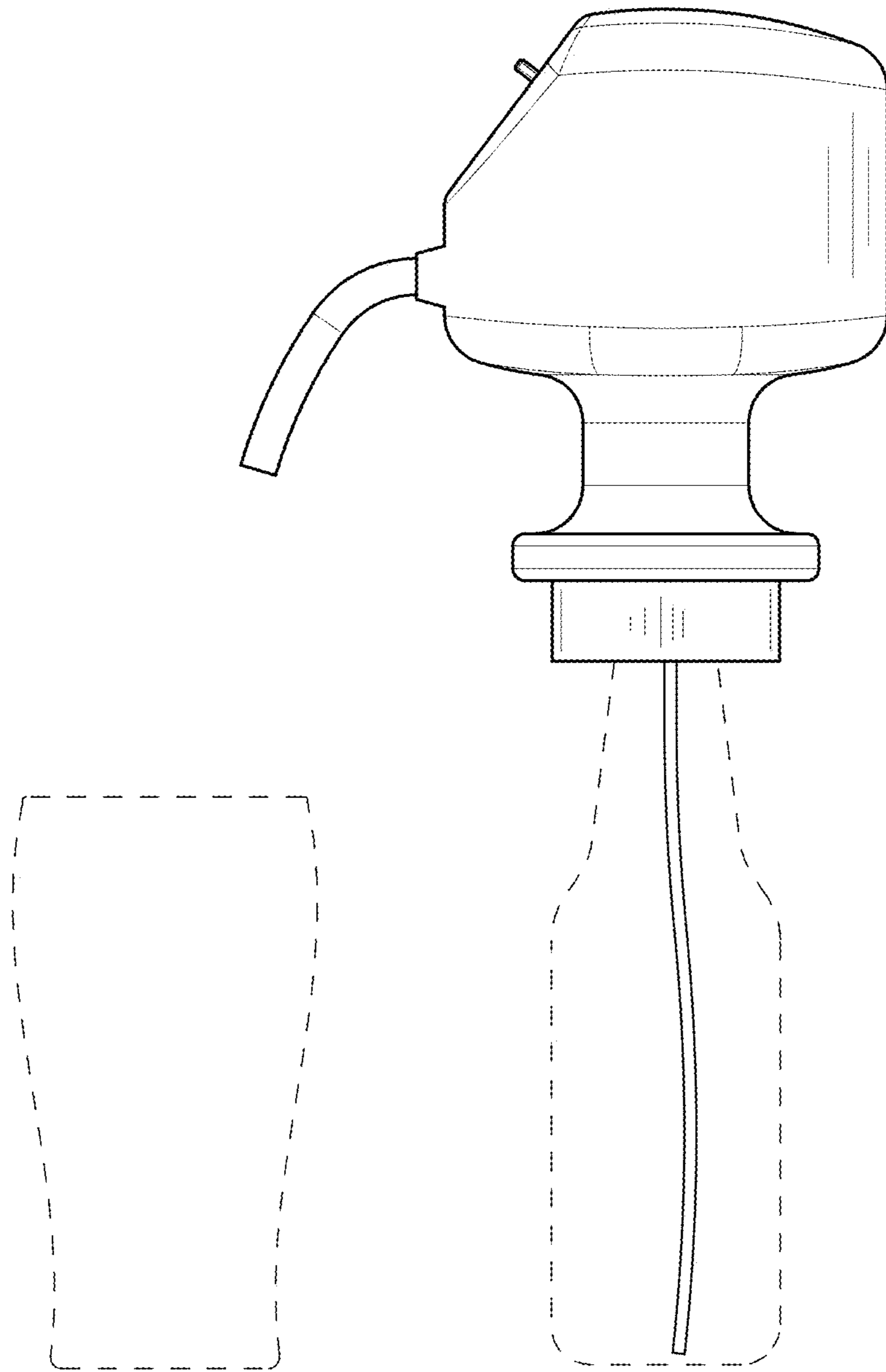


Figure 4

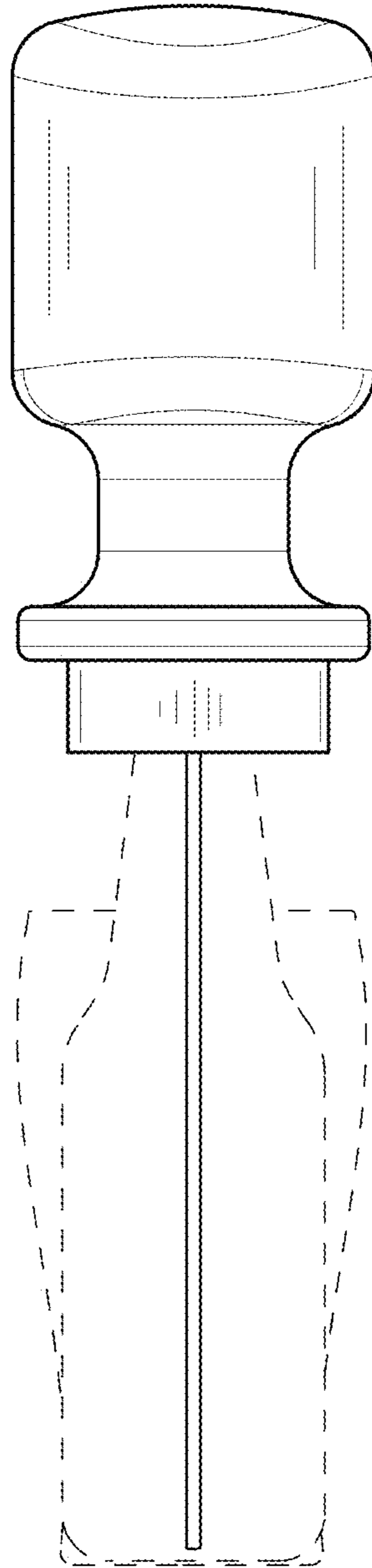


Figure 5

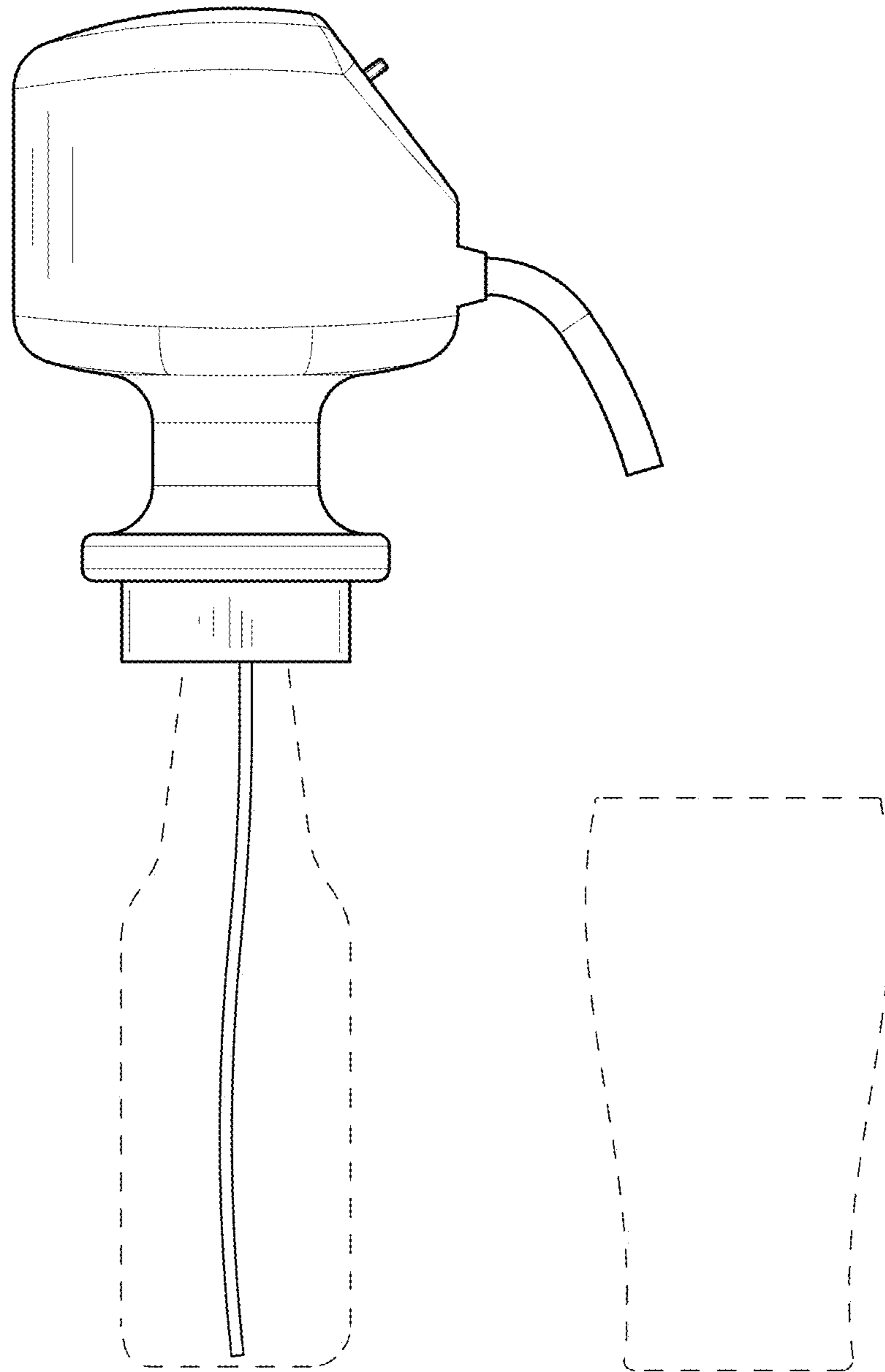


Figure 6

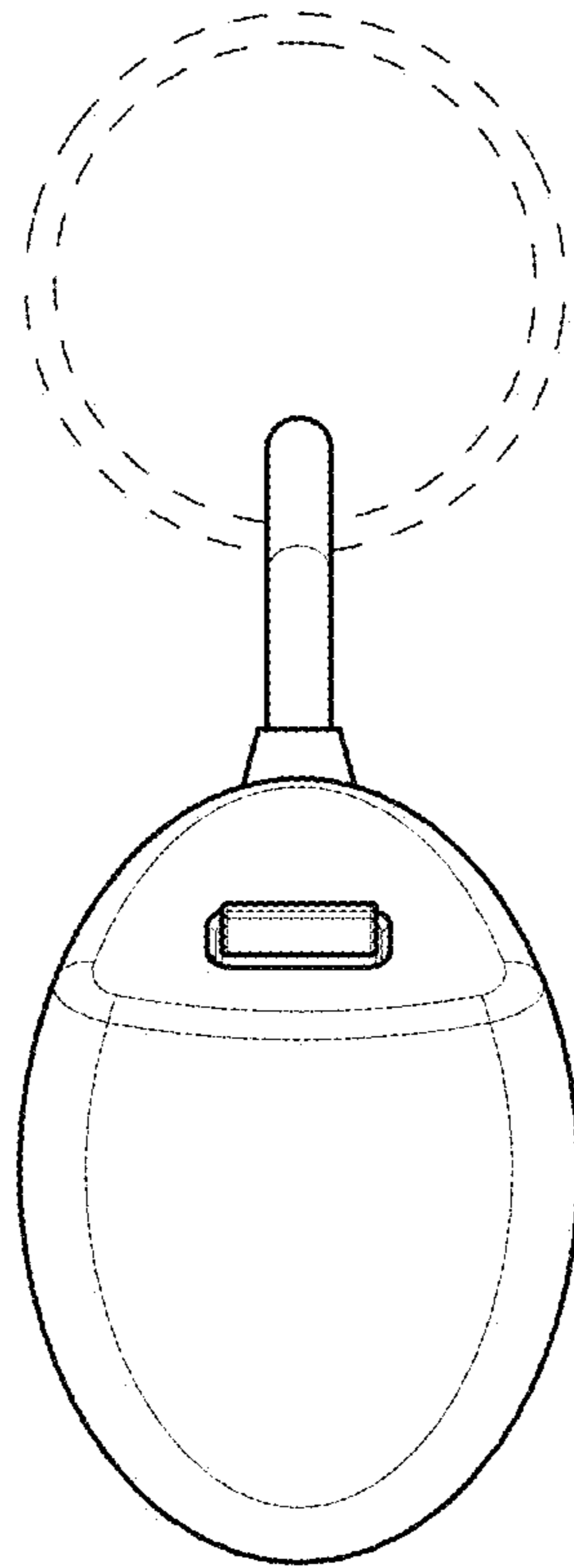


Figure 7

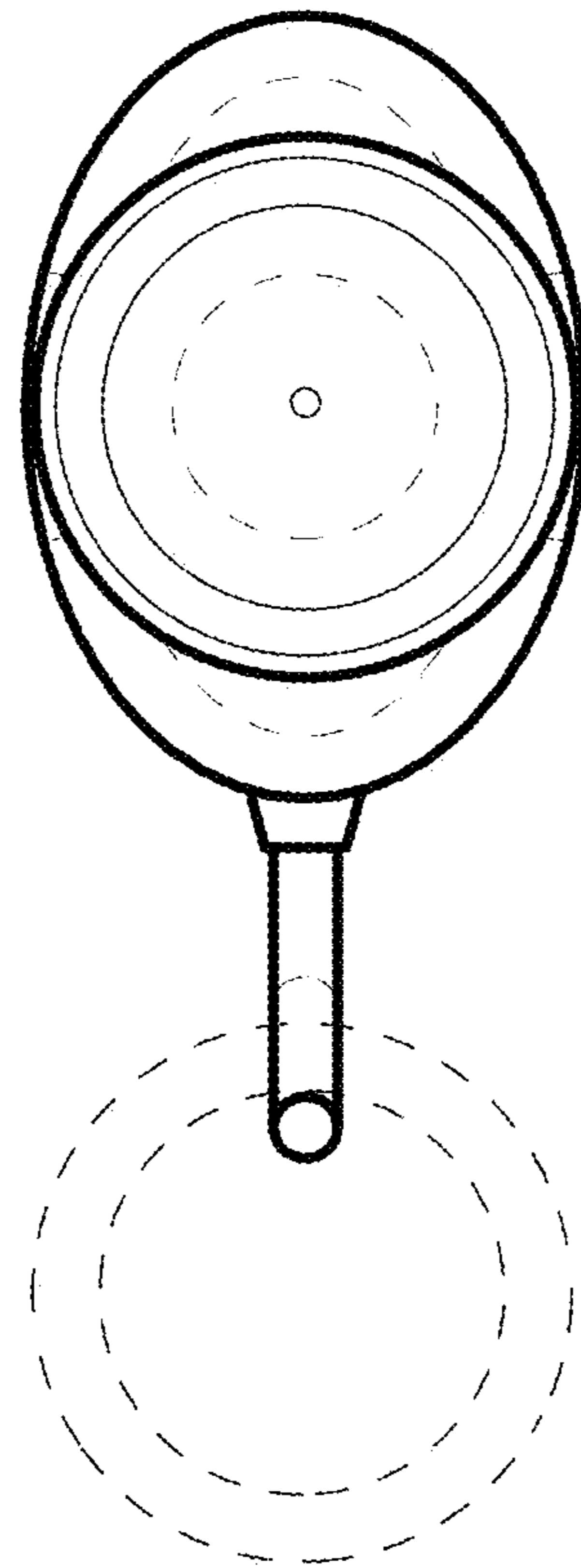


Figure 8