



US00D878149S

(12) **United States Design Patent**
Omdahl, II et al.

(10) **Patent No.:** **US D878,149 S**

(45) **Date of Patent:** **** Mar. 17, 2020**

(54) **CLOSURE**

(71) Applicant: **Runway Blue, LLC**, Alpine, UT (US)

(72) Inventors: **John R. Omdahl, II**, Lindon, UT (US);
David O. Meyers, East Layton, UT (US)

(73) Assignee: **Runway Blue, LLC**, Alpine, UT (US)

(**) Term: **15 Years**

(21) Appl. No.: **29/682,937**

(22) Filed: **Mar. 8, 2019**

Related U.S. Application Data

(62) Division of application No. 29/598,770, filed on Mar. 28, 2017, now Pat. No. Des. 848,210.

(51) **LOC (12) Cl.** **07-01**

(52) **U.S. Cl.**
USPC **D7/396.2**; D9/443

(58) **Field of Classification Search**
USPC D7/387, 392.1, 396.2; D9/434–436, 440,
D9/443, 446–449, 454, 455, 499
CPC A45F 3/16
See application file for complete search history.

(56) **References Cited**

U.S. PATENT DOCUMENTS

D490,235 S	5/2004	Nykoluk	
D517,373 S	3/2006	Cappellino	
D626,837 S *	11/2010	Meyers	D9/443
D653,081 S *	1/2012	George	D7/316
D679,541 S *	4/2013	Samartgis	D7/392.1
D700,012 S *	2/2014	Hurley	D7/392.1
D707,124 S	6/2014	Blain	
D719,780 S	12/2014	Sullivan	
D720,184 S *	12/2014	Gilbert	D7/300.1
D729,569 S	5/2015	Herbst	
D748,478 S	2/2016	Sorensen	

D748,943 S *	2/2016	Miller	D7/392.1
D758,189 S	6/2016	Roth	
D763,688 S *	8/2016	Breit	D9/443
D768,491 S	10/2016	Sorensen	
D786,072 S	5/2017	Breit	
D792,216 S *	7/2017	Breit	D9/443
D792,742 S	7/2017	Meyers	

(Continued)

OTHER PUBLICATIONS

Simple Modern .Summit Water Bottle Lid 3 Pack—Flip Lid with Handle, Insulated Straw Lid, and Insulated Chug Lid. No date specified. <https://www.simplemodern.com/products/summit-water-bottle-lid-3-pack-flip-lid-with-handle-insulated-straw-lid-and-insulated-chug-lid?variant=30864679174216> (Year: 0).*

(Continued)

Primary Examiner — Darcey E Gottschalk

(74) *Attorney, Agent, or Firm* — Sterne, Kessler, Goldstein & Fox P.L.L.C.

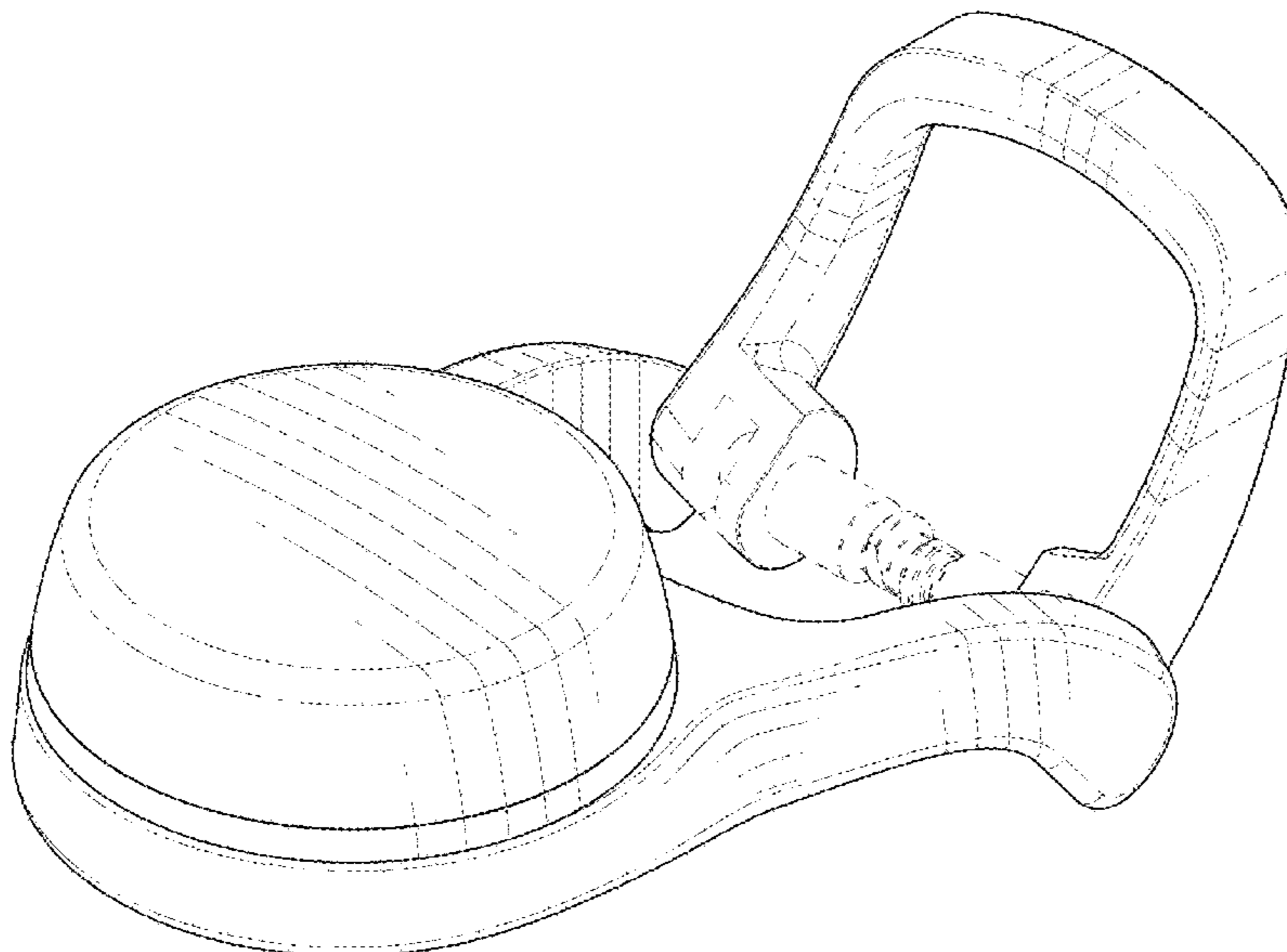
(57) **CLAIM**

The ornamental design for a closure, as shown and described.

DESCRIPTION

FIG. 1 is a top front perspective view of a closure;
FIG. 2 is a top rear perspective view of the closure shown in FIG. 1;
FIG. 3 is a front view of the closure shown in FIG. 1;
FIG. 4 is a rear view of the closure shown in FIG. 1;
FIG. 5 is a left side view of the closure shown in FIG. 1;
FIG. 6 is a right side view of the closure shown in FIG. 1;
FIG. 7 is a top view of the closure shown in FIG. 1; and,
FIG. 8 is a bottom view of the closure shown in FIG. 1.
The broken lines are shown for the purpose of illustrating environmental structure and parts of the article that form no part of the claimed design.

1 Claim, 8 Drawing Sheets



(56)

References Cited

U.S. PATENT DOCUMENTS

D793,154 S 8/2017 Sorensen
9,790,007 B2 10/2017 Sorensen
D802,366 S 11/2017 Cerasani
D802,993 S * 11/2017 Joseph D7/392.1
D808,711 S 1/2018 Joseph
D808,713 S 1/2018 Rane
D810,502 S 2/2018 Joseph
D811,810 S 3/2018 Joseph
D848,210 S * 5/2019 Omdahl, II D7/396.2
D854,880 S * 7/2019 Meyers D7/392.1
D862,157 S * 10/2019 Barber D7/392.1
2011/0253733 A1 10/2011 Meyers et al.

OTHER PUBLICATIONS

Target. Simple Modern Summit Water Bottle. Mar. 26, 2018 [earliest online date], [site visited Apr. 23, 2018]. Available from Internet, <URL:<https://bit.ly/2K7vf81>>. (Year: 2018).
Office Action dated Aug. 13, 2018 in U.S. Appl. No. 29/598,770.

* cited by examiner

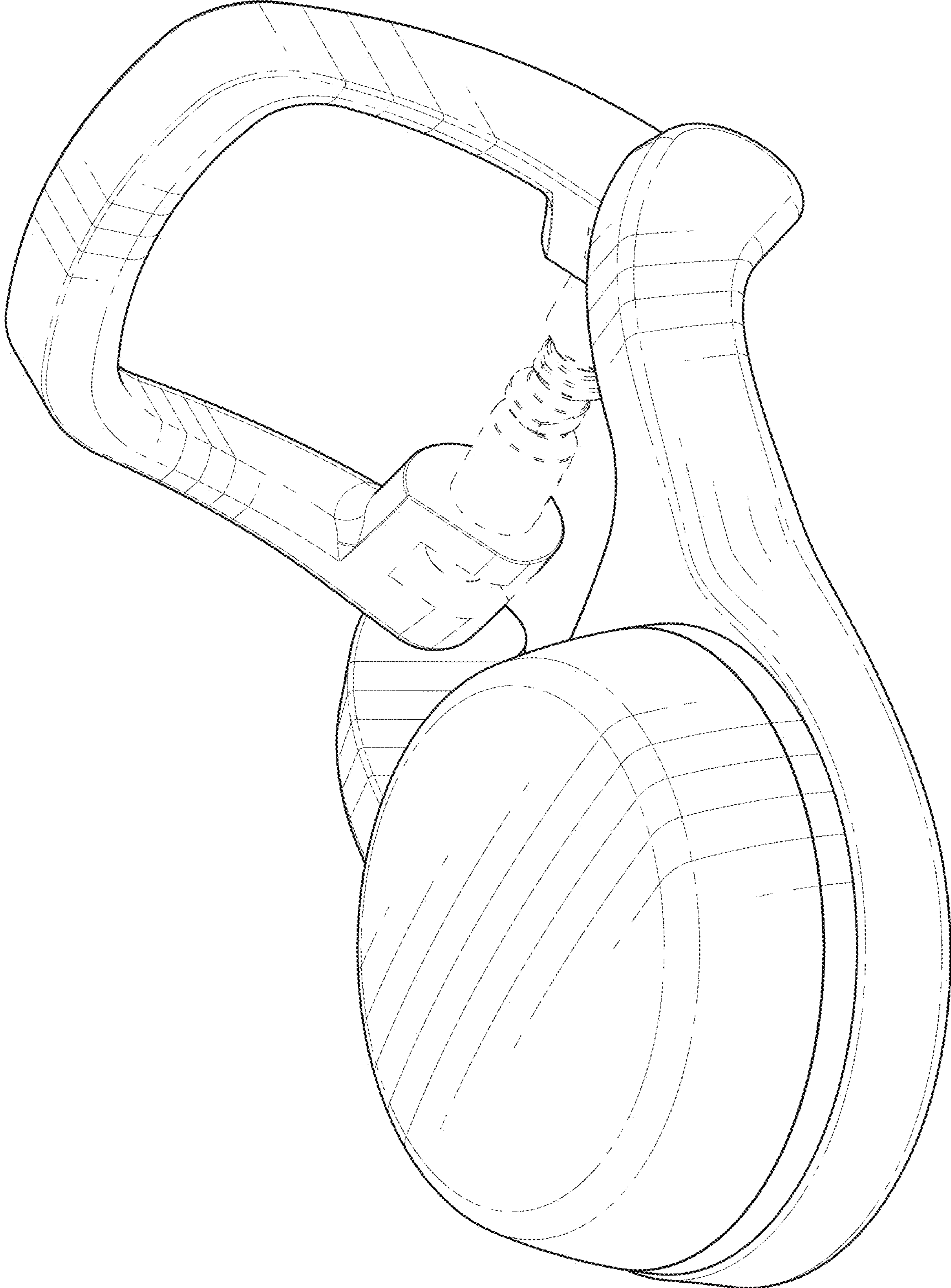


FIG. 1

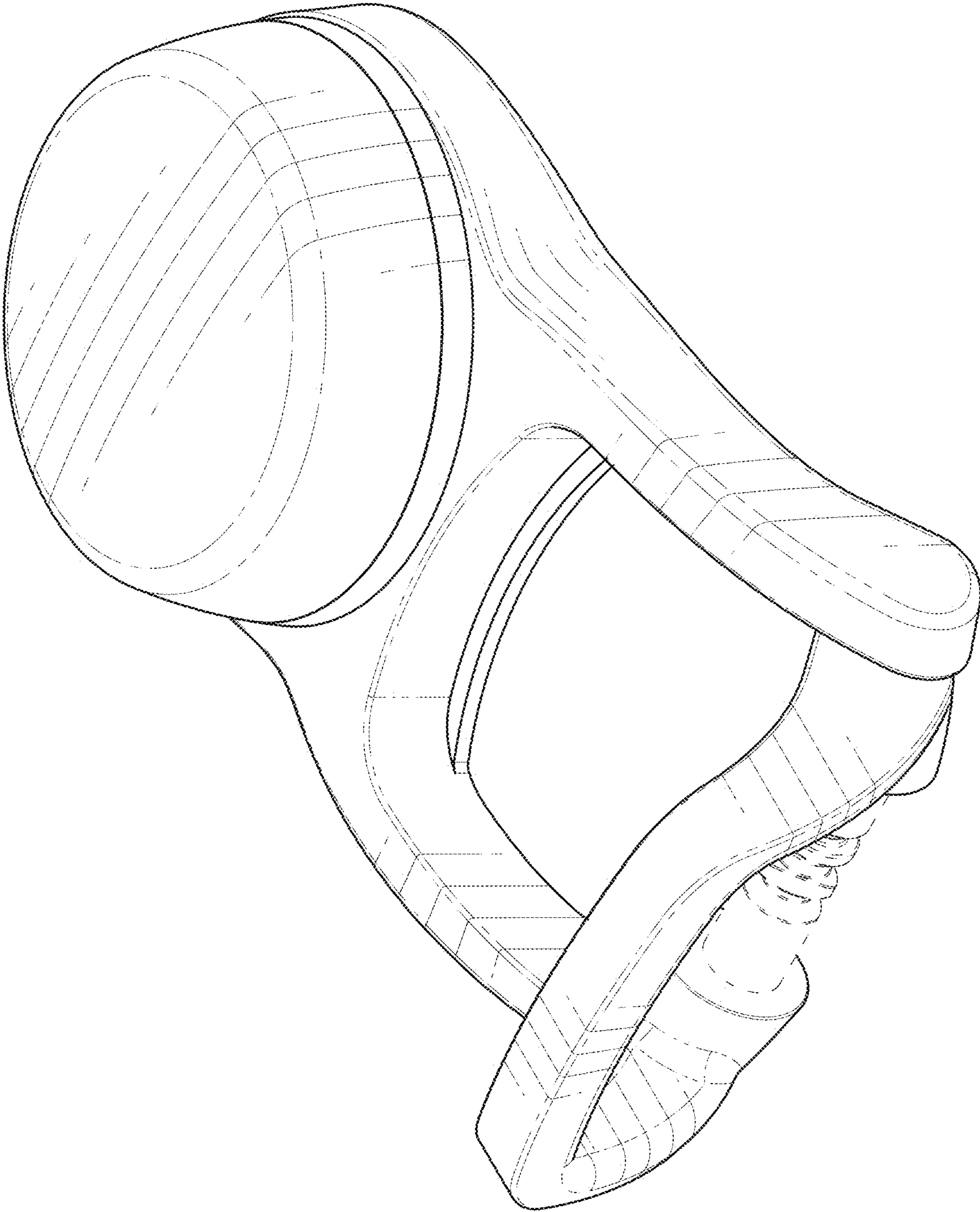


FIG. 2

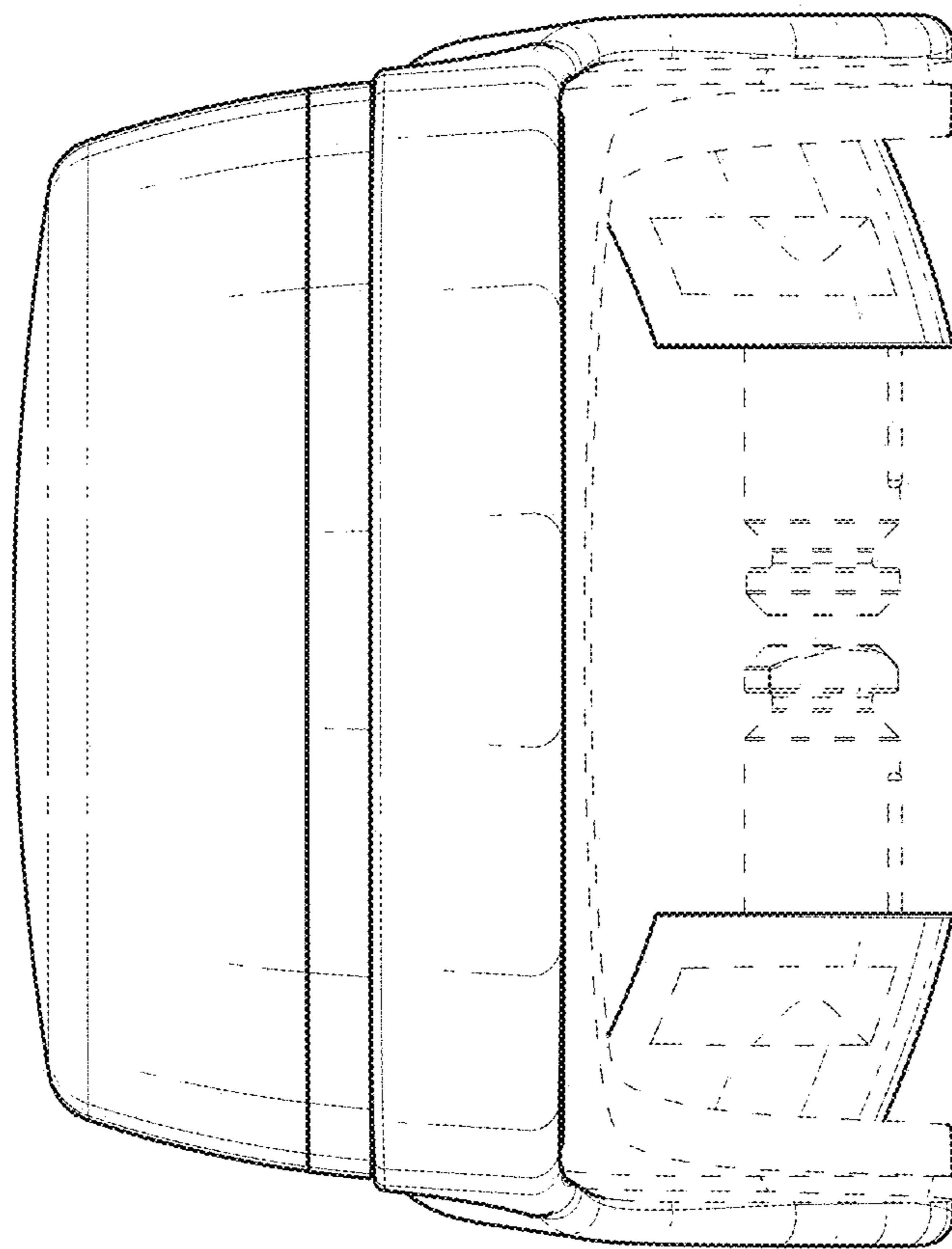


FIG. 3

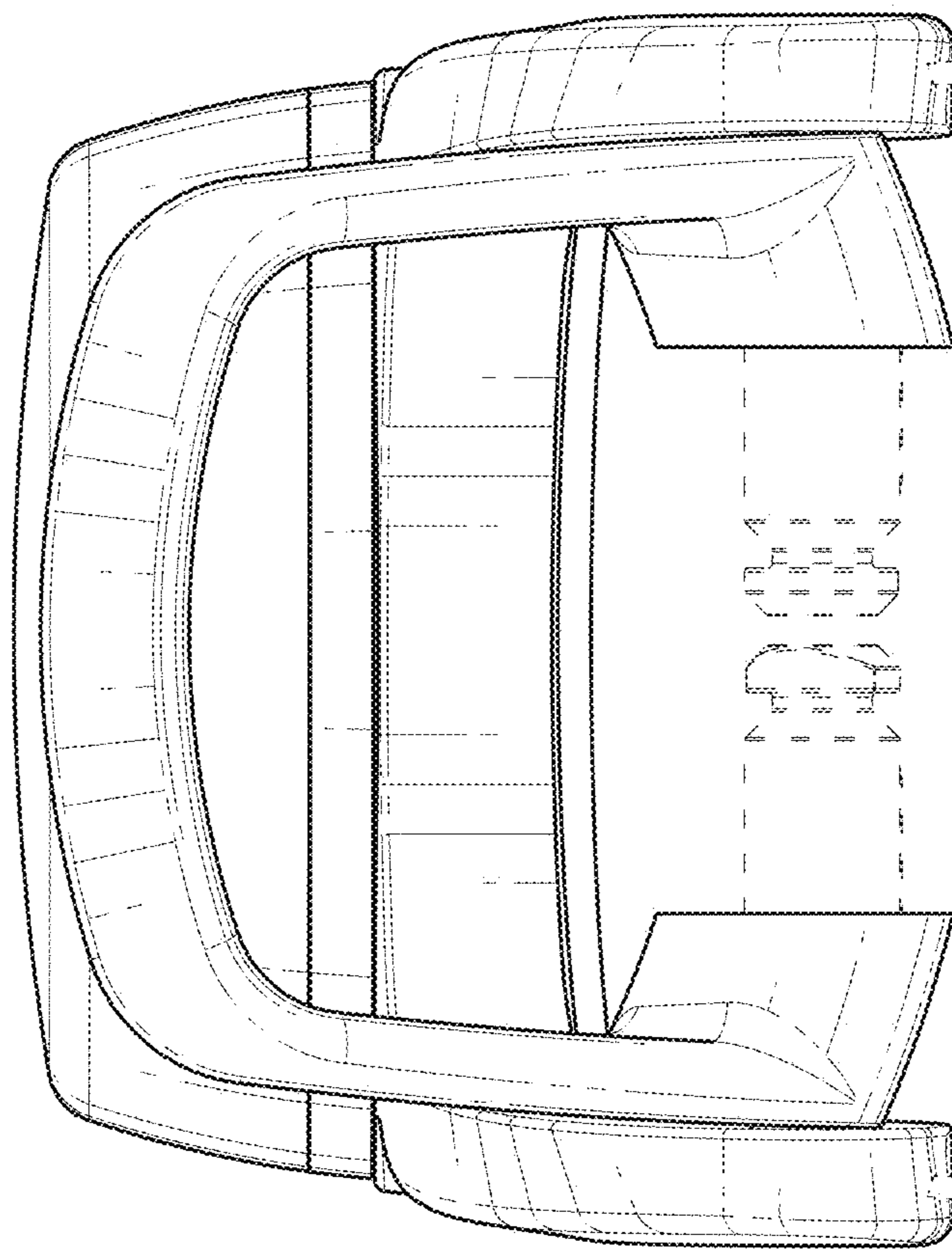


FIG. 4

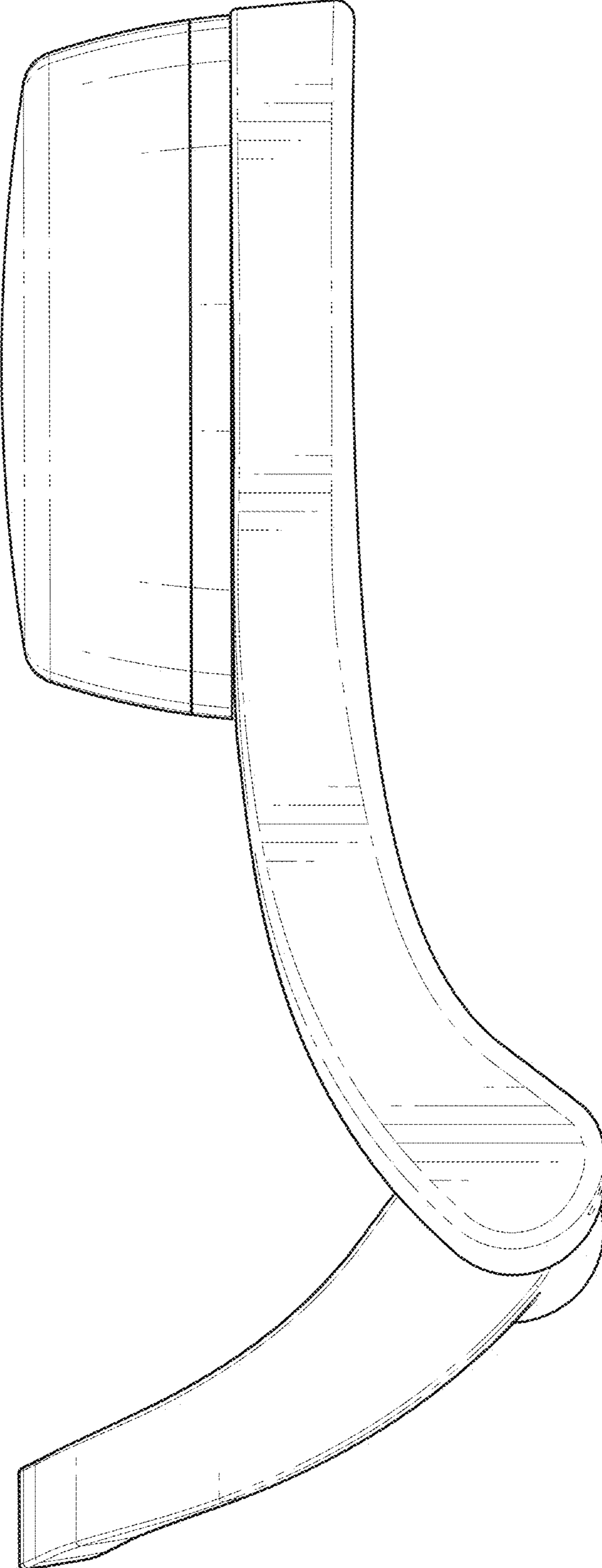


FIG. 5

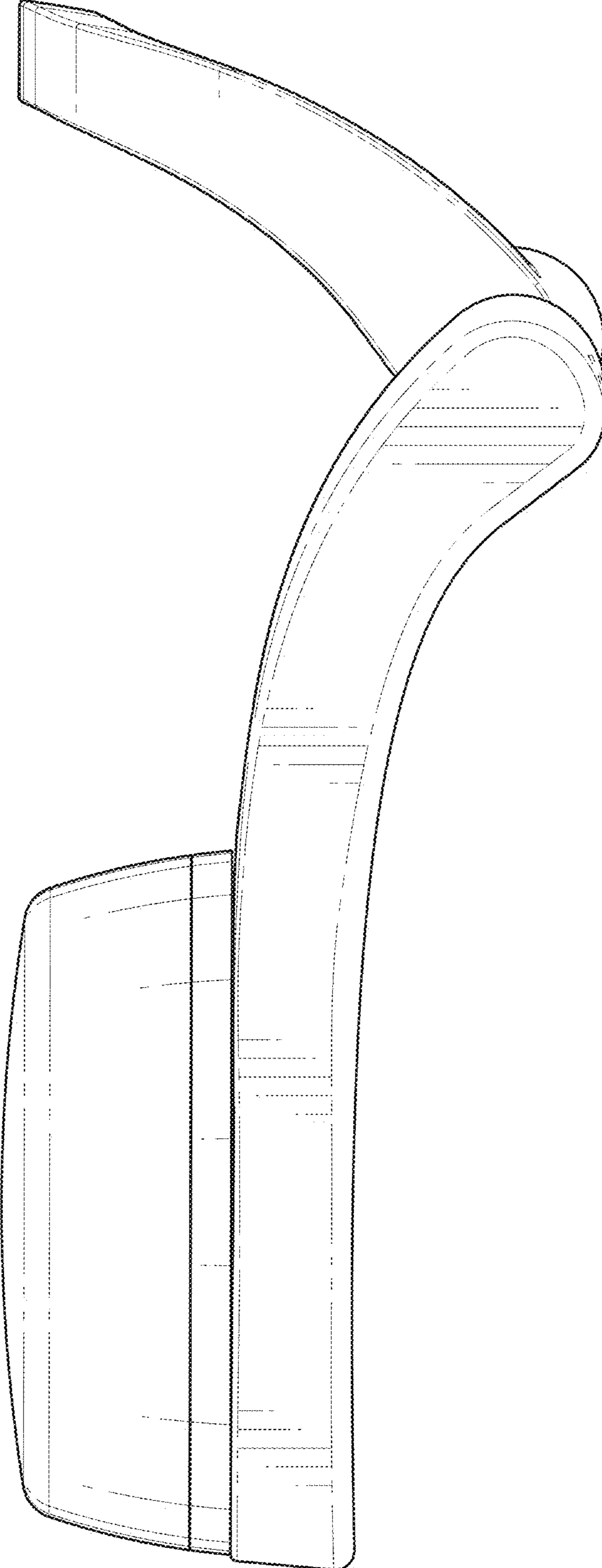


FIG. 6

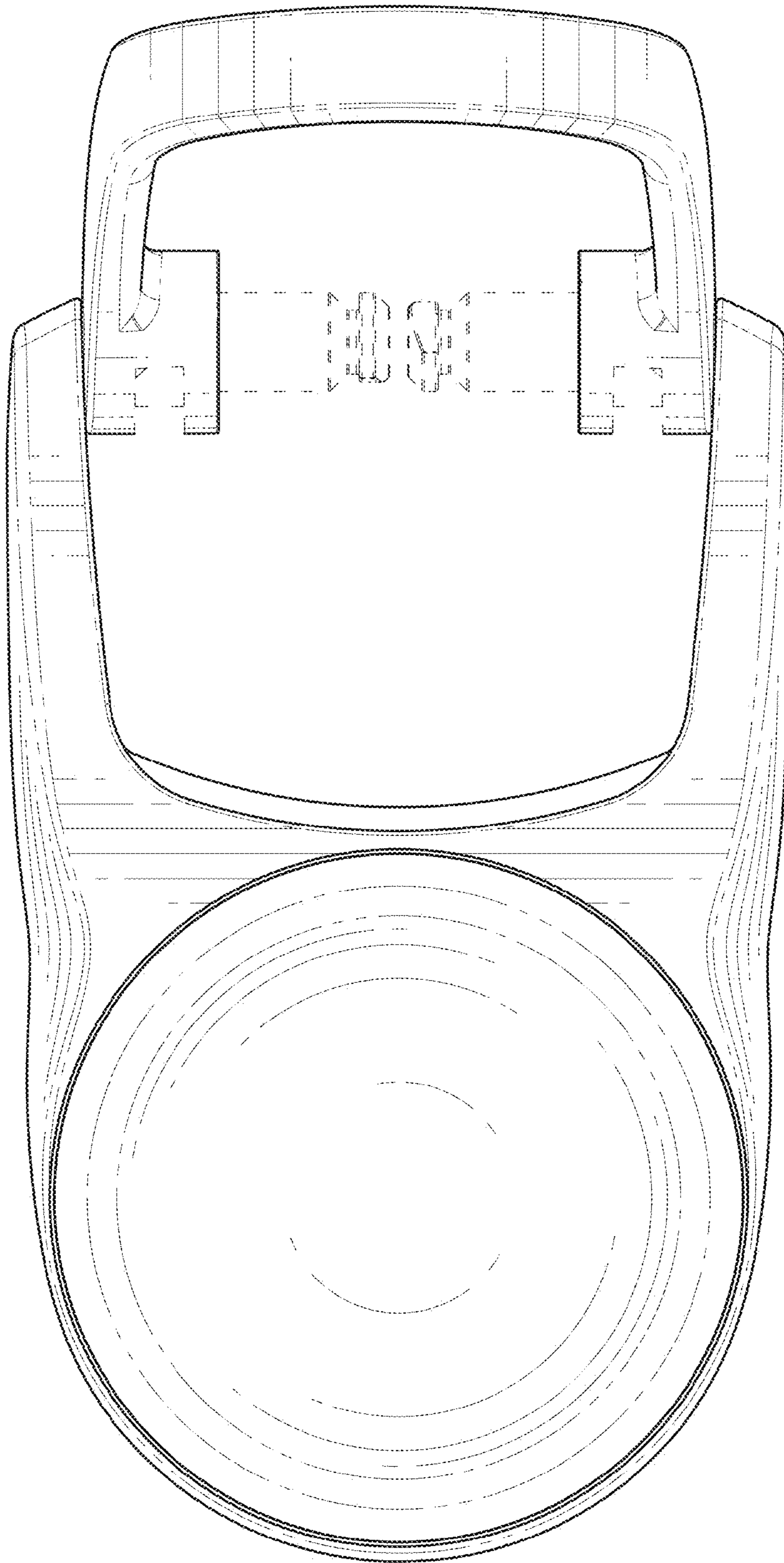


FIG. 7

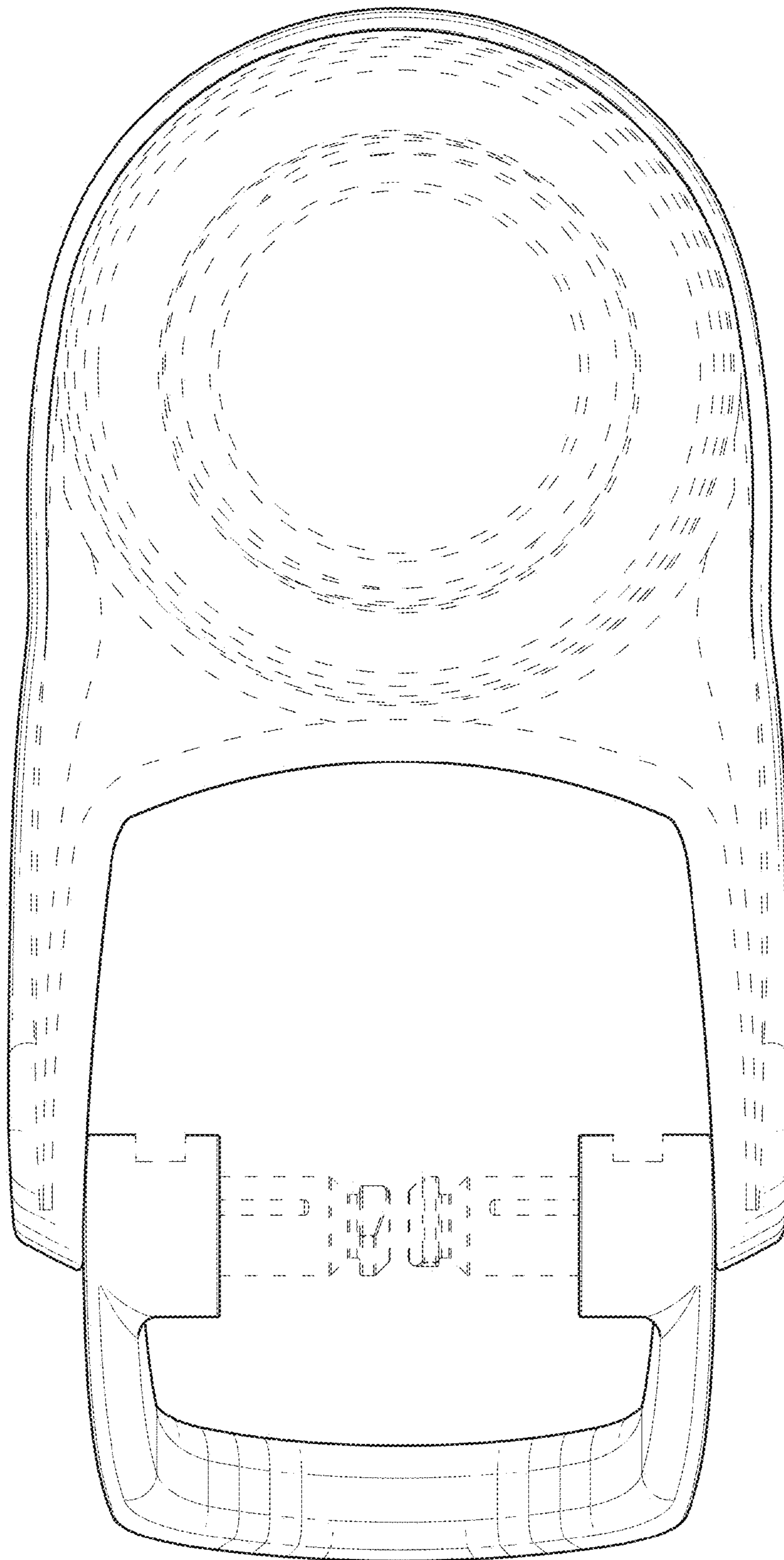


FIG. 8