



US00D878147S

(12) **United States Design Patent**  
**Berresheim**

(10) **Patent No.:** **US D878,147 S**

(45) **Date of Patent:** **\*\* Mar. 17, 2020**

(54) **LID FOR BOTTLE**

(71) Applicant: **Global Advantage Trading and Imports, LLC**, St. Louis, MO (US)

(72) Inventor: **Kenneth J. Berresheim**, Grantwood Village, MO (US)

(73) Assignee: **Global Advantage Trading and Imports, LLC**, St. Louis, MO (US)

(\*\*) Term: **15 Years**

(21) Appl. No.: **29/634,881**

(22) Filed: **Jan. 25, 2018**

(51) **LOC (12) Cl.** ..... **07-01**

(52) **U.S. Cl.**

USPC ..... **D7/392.1**; D7/396.2; D9/449

(58) **Field of Classification Search**

USPC ..... D7/507, 413, 509, 510, 511, 529, 530, D7/531, 536, 300.1, 591, 584, 586, 387, D7/361, 619.1, 602, 392.1, 396.2; D10/46.2; D9/425, 905, 503, 504, 738, D9/547, 449; 220/592.2

CPC ..... A47G 19/22; A47G 19/2288; A47G 19/2211; A47G 19/2222; A47G 19/2227; A47G 19/2205; A47G 19/2266; A47G 19/12; A47J 41/02; A47J 43/27; A47J 41/0077; A47J 41/0088; A47J 41/028; B65D 47/066; B65D 81/3869

See application file for complete search history.

(56) **References Cited**

**U.S. PATENT DOCUMENTS**

D213,174 S \* 1/1969 Davis ..... 229/400  
D269,315 S \* 6/1983 Conti ..... D7/591

D282,897 S \* 3/1986 Conti ..... D22/126  
D510,235 S \* 10/2005 Sorensen ..... D7/510  
D644,065 S \* 8/2011 Llerena ..... D7/300.1  
D771,990 S \* 11/2016 Horowitz ..... D7/300.1  
9,706,880 B1 \* 7/2017 Kalamaras ..... A47J 43/27  
D805,827 S \* 12/2017 Toth ..... D7/300.1  
D807,168 S \* 1/2018 Bouveret ..... D9/425  
D830,126 S \* 10/2018 Rohe ..... D7/510  
D845,076 S \* 4/2019 Brownell ..... D7/545  
2014/0119154 A1 \* 5/2014 Kershaw ..... B01F 13/0022  
366/130  
2014/0233344 A1 \* 8/2014 Aliberti ..... A47J 43/27  
366/130  
2016/0242598 A1 \* 8/2016 Alexander ..... A47J 36/2433  
2019/0084734 A1 \* 3/2019 Ni ..... B65D 47/0895

\* cited by examiner

*Primary Examiner* — Jae Liang

(74) *Attorney, Agent, or Firm* — Lewis Rice LLC

(57) **CLAIM**

The ornamental design for a lid for bottle, as shown and described.

**DESCRIPTION**

FIG. 1 provides a perspective view of a lid for bottle. FIG. 2 provides a front view thereof. FIG. 3 provides a back view thereof. FIG. 4 provides a left view thereof. FIG. 5 provides a right view thereof. FIG. 6 provides a top view thereof; and, FIG. 7 provides a bottom view thereof. The broken lines shown in the drawings are included for the purpose of illustrating portions of the lid for bottle and form no part of the claimed design.

**1 Claim, 7 Drawing Sheets**

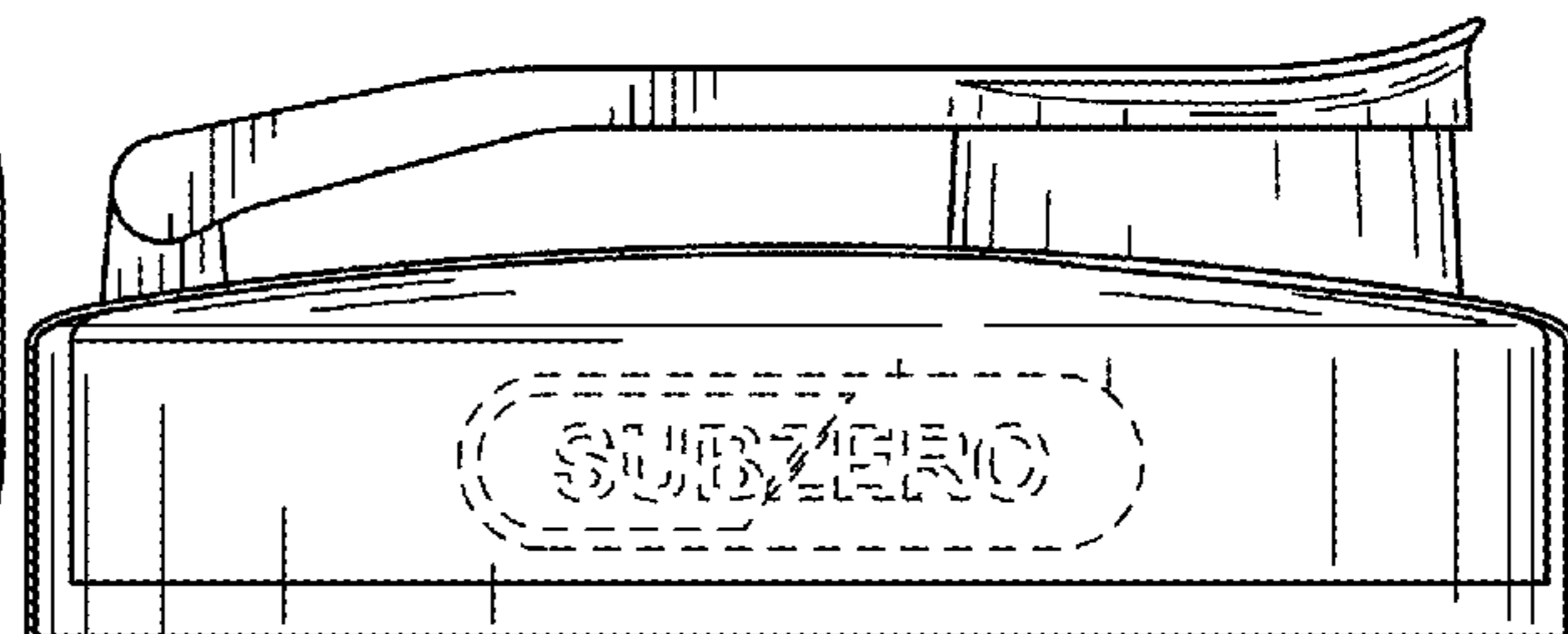
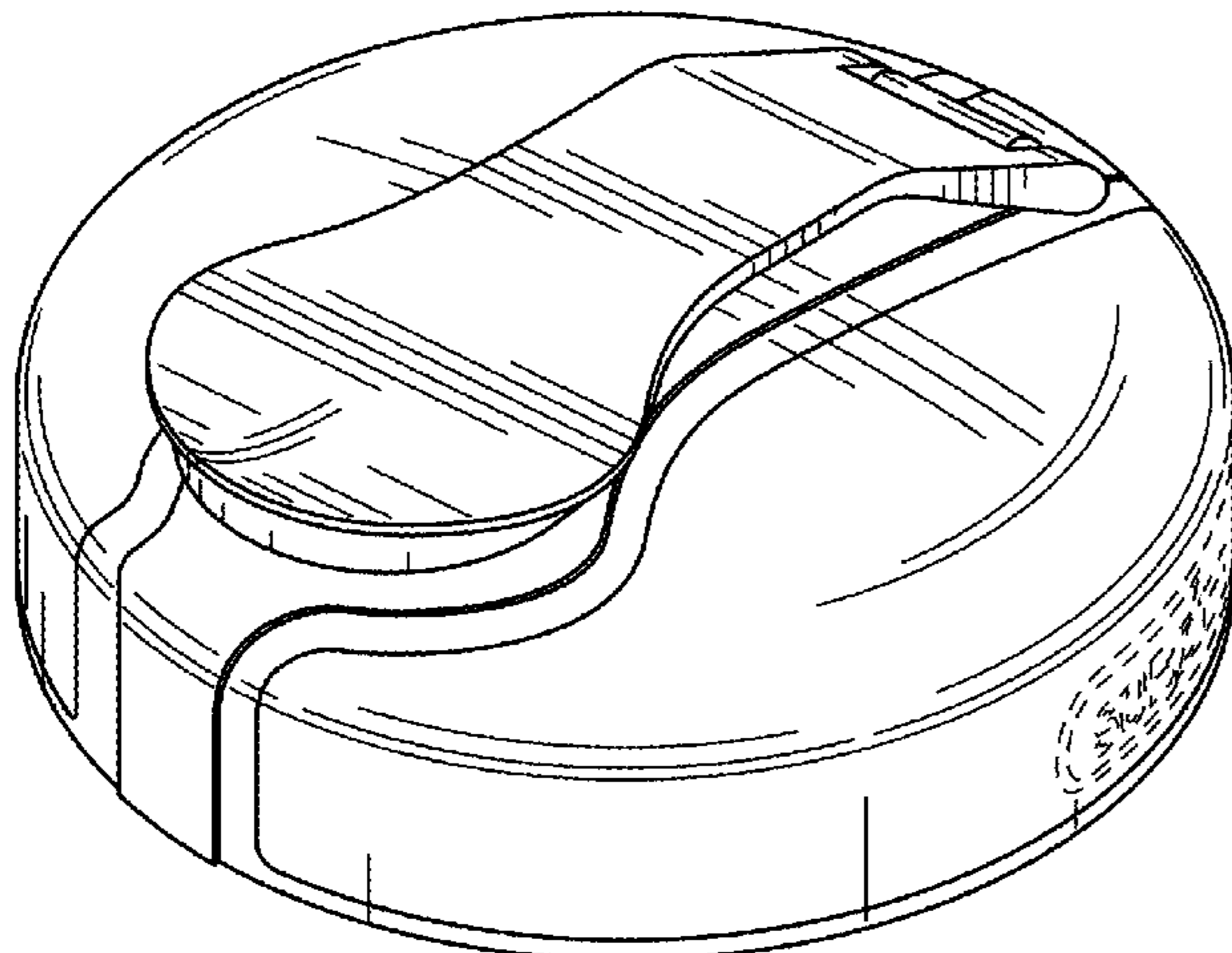


FIG. 1

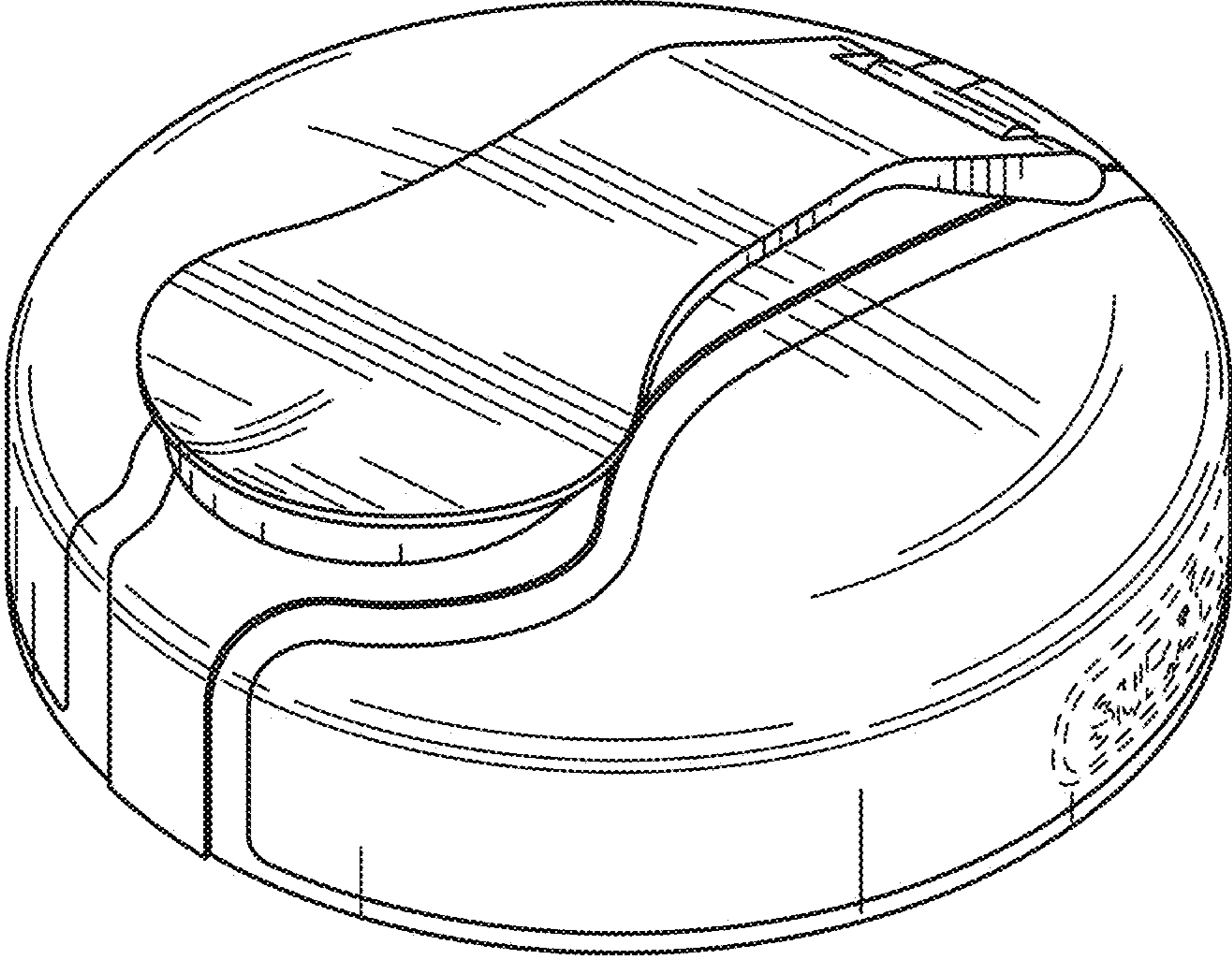


FIG. 2

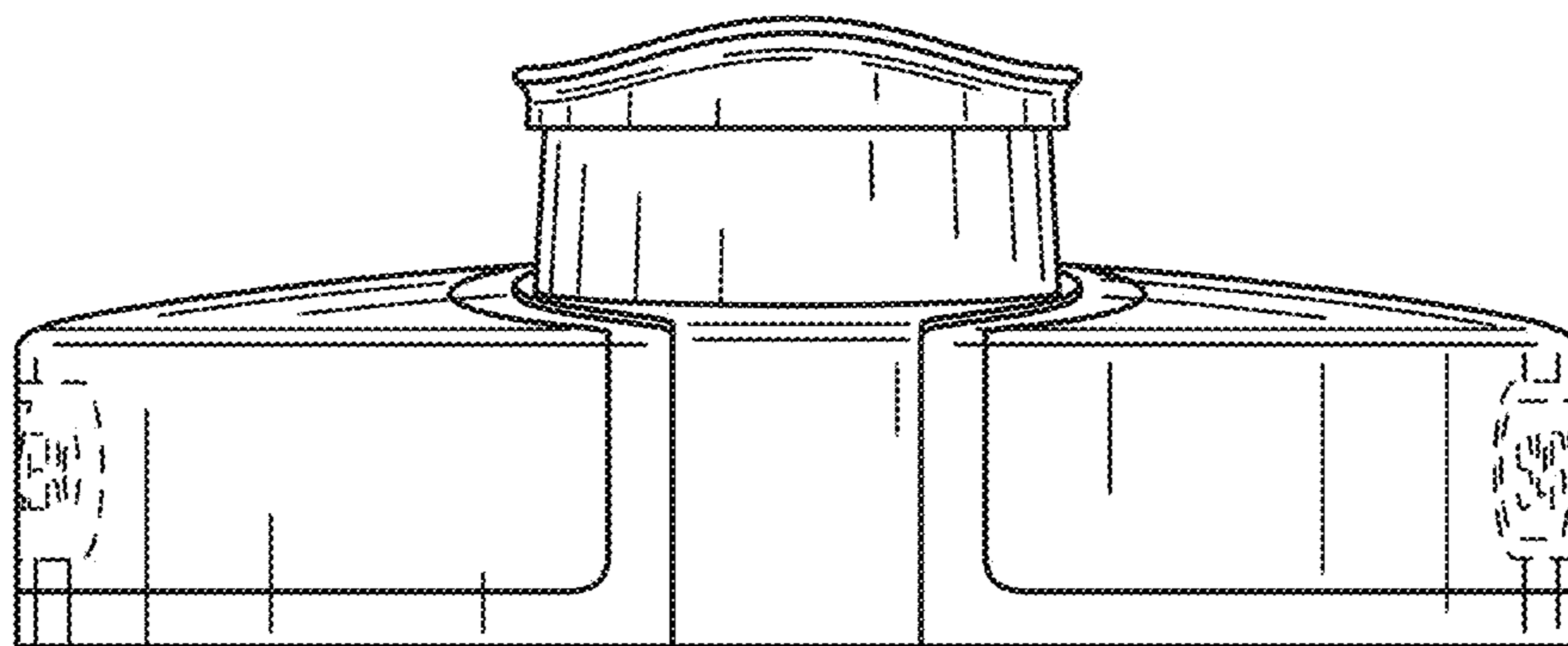


FIG. 3

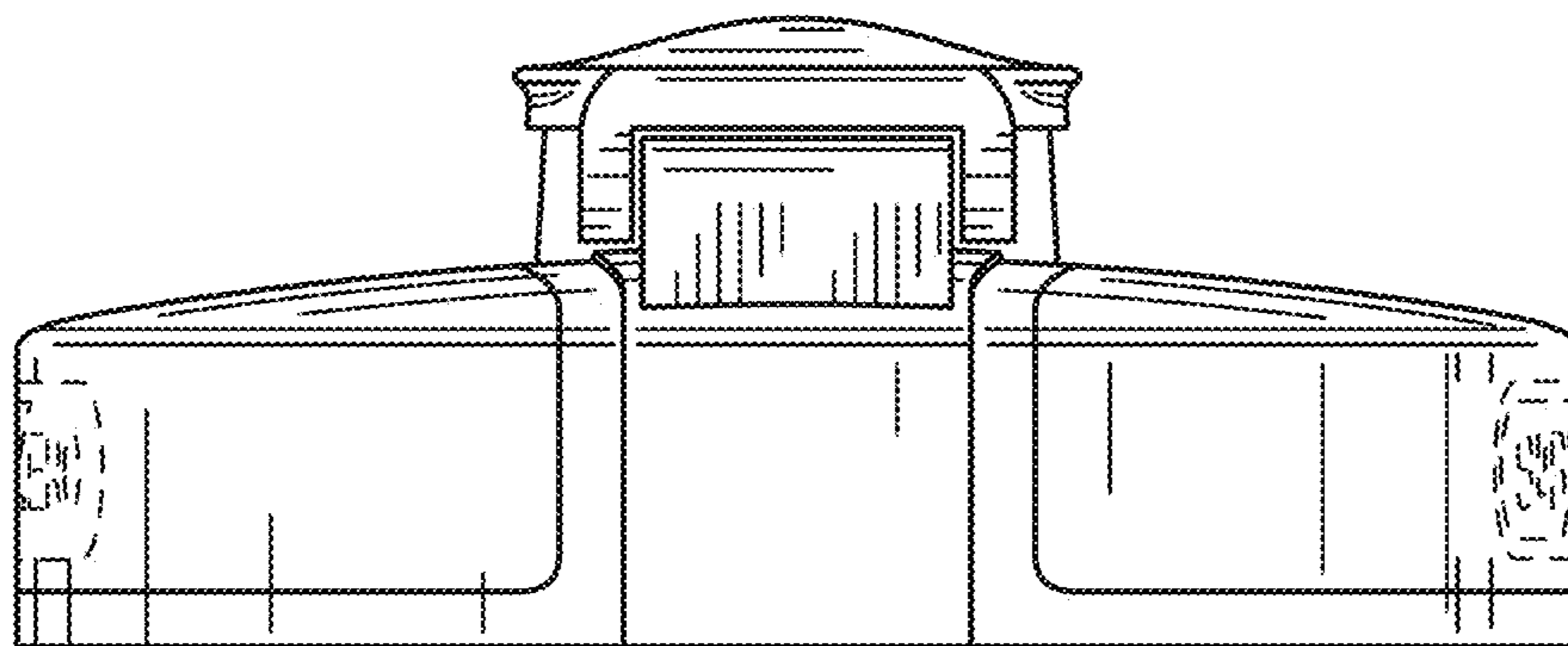


FIG. 4

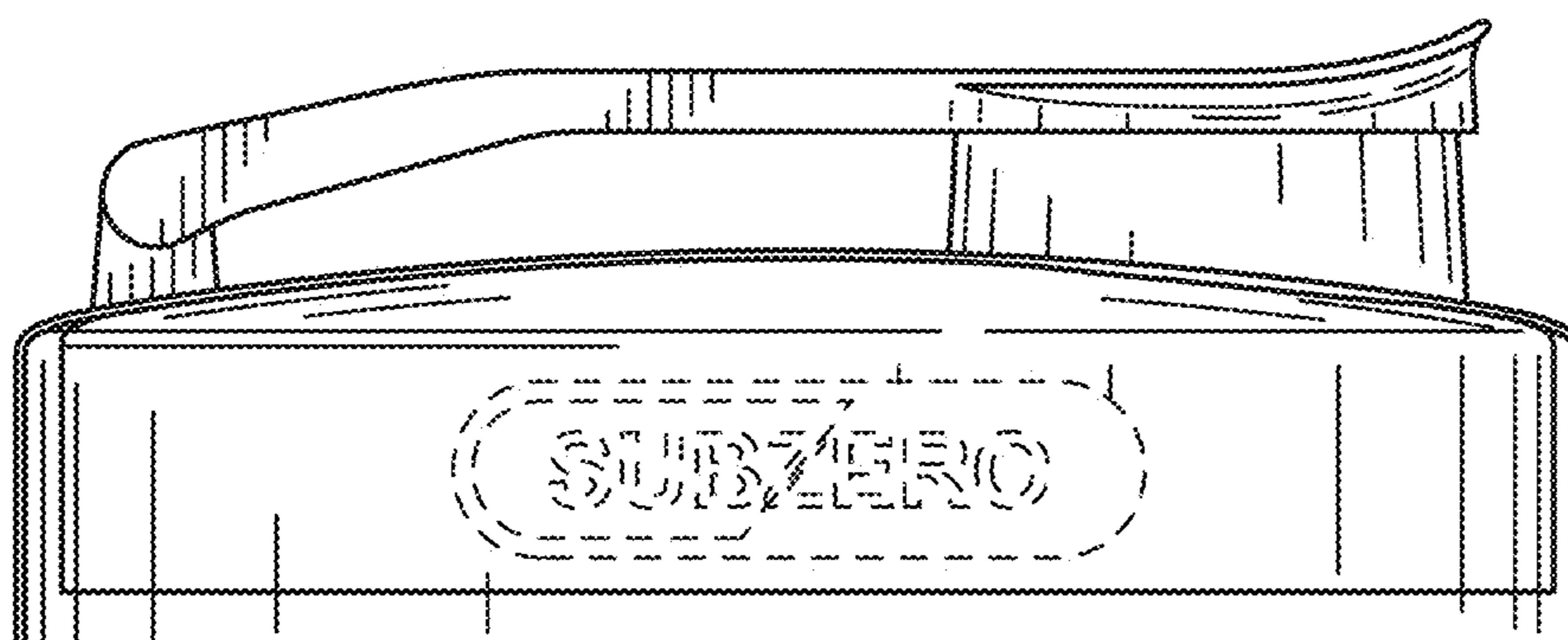


FIG. 5

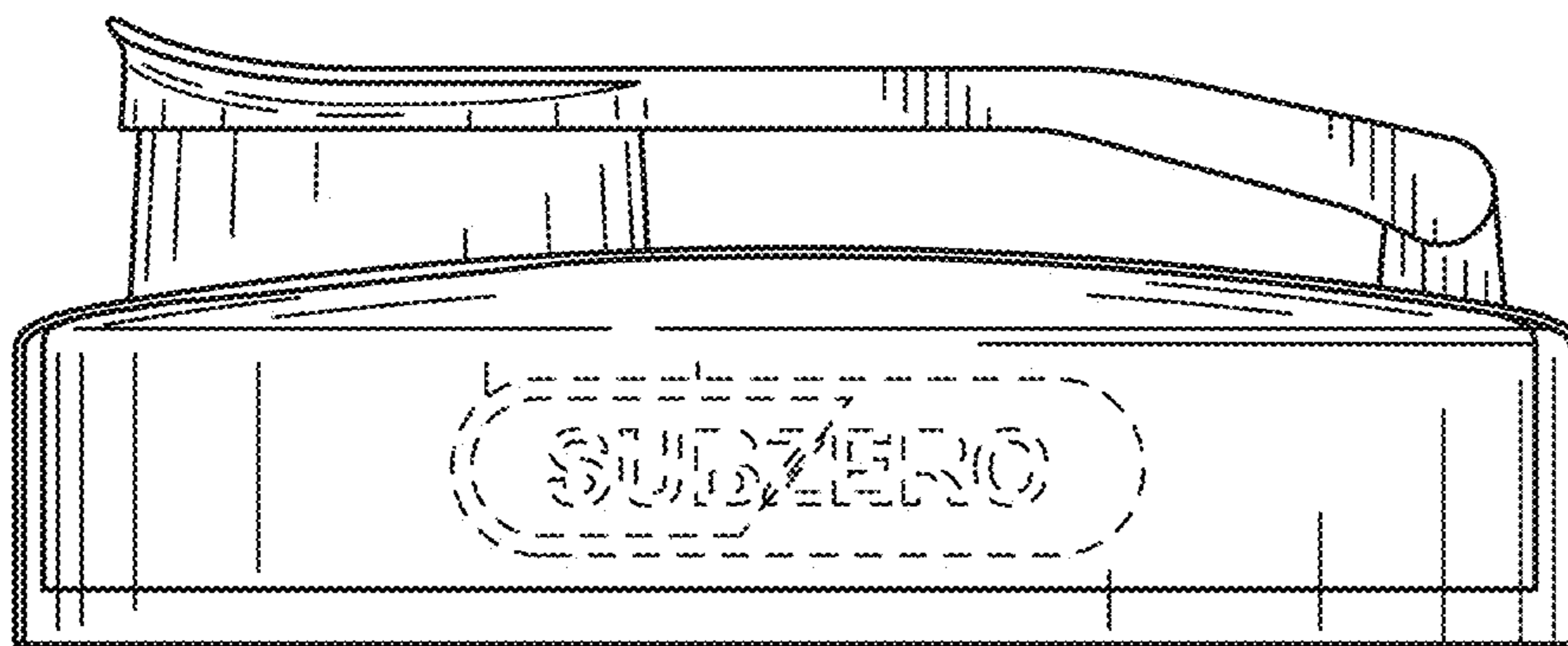


FIG. 6

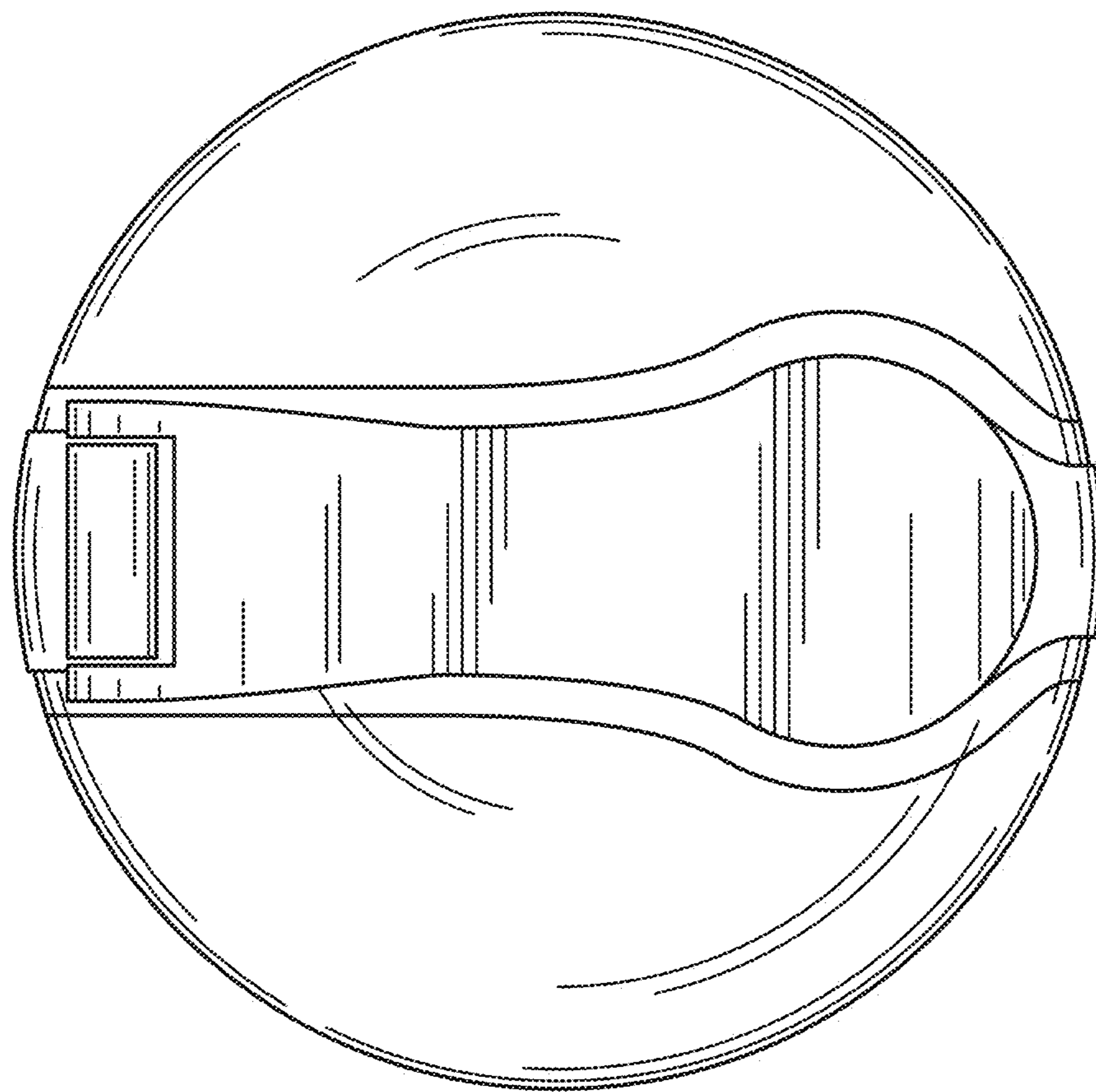


FIG. 7

