



US00D878146S

(12) **United States Design Patent** (10) **Patent No.:** **US D878,146 S**
McConnell et al. (45) **Date of Patent:** **** Mar. 17, 2020**

- (54) **GRINDER ATTACHMENT FOR A STAND MIXER**
- (71) Applicant: **WHIRLPOOL CORPORATION**,
Benton Harbor, MI (US)
- (72) Inventors: **John W. McConnell**, St. Joseph, MI
(US); **Nicholas Schutte**, St. Joseph, MI
(US); **Anne Wessel**, St. Joseph, MI
(US)
- (73) Assignee: **Whirlpool Corporation**, Benton
Harbor, MI (US)
- (**) Term: **15 Years**
- (21) Appl. No.: **29/705,144**
- (22) Filed: **Sep. 10, 2019**

Related U.S. Application Data

- (62) Division of application No. 29/621,122, filed on Oct. 4, 2017.
- (51) **LOC (12) Cl.** **31-00**
- (52) **U.S. Cl.**
USPC **D7/372**
- (58) **Field of Classification Search**
USPC D7/372, 376-386, 412, 665-666, 669,
D7/678-679, 693-694
CPC A01F 2015/07; A01F 2015/077; A01F
2015/0775; A23N 1/00; A23N 1/02; A47J
19/00; A47J 19/005; A47J 19/02; A47J
19/04; A47J 19/06; A47J 42/32; A47J
42/34; A47J 42/36; A47J 43/044; A47J
43/25; A47J 43/255; B01F 7/26; B01F
7/28; B01F 11/0082; B01F 13/04; B02C
13/00; B02C 13/02; B02C 13/10; B02C
18/06; B02C 18/26; B02C 18/30; B02C
18/302; B02C 18/304; B02C 18/305;
B02C 25/00;

(Continued)

(56) **References Cited**

U.S. PATENT DOCUMENTS

62,184 A 2/1867 Coe
 100,280 A 3/1870 Gerhard
 (Continued)

FOREIGN PATENT DOCUMENTS

DE 202010012730 U1 12/2010
 EP 0405636 B1 9/1993
 (Continued)

OTHER PUBLICATIONS

“Fulfilling Finishing Needs in the Auto Industry”; Electro Polish; Black Oxide, Aluminum Anodizing, Passivation; Dayton, Ohio; pp. 1-3; 2013.

(Continued)

Primary Examiner — Ricky Pham

(74) *Attorney, Agent, or Firm* — Price Heneveld LLP

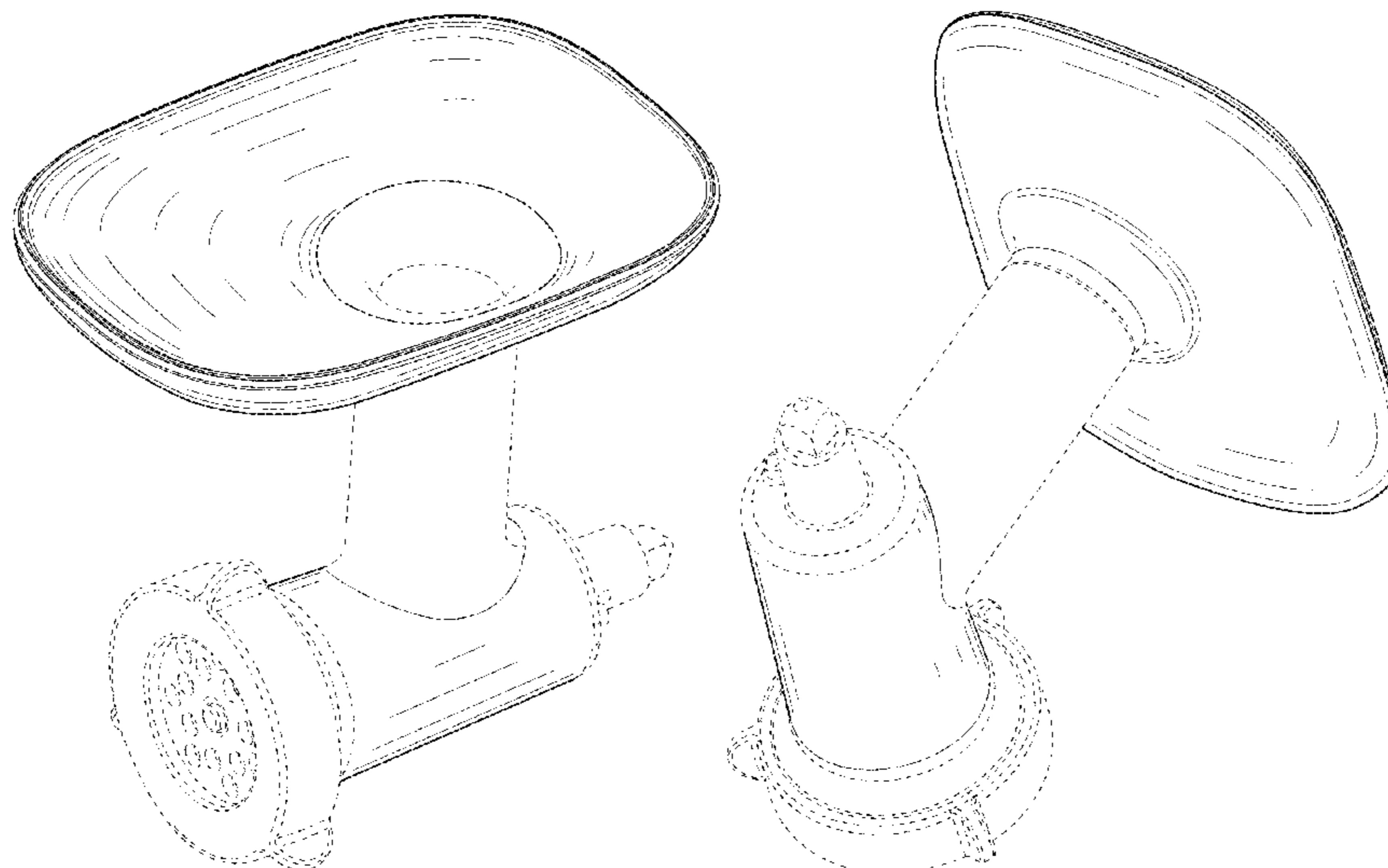
(57) **CLAIM**

The ornamental design for a grinder attachment for a stand mixer, as shown and described.

DESCRIPTION

FIG. 1 is a top-front perspective view of a grinder attachment for a stand mixer according to our design; FIG. 2 is a bottom-back perspective view thereof; FIG. 3 is a front elevation view thereof; FIG. 4 is a back elevation view thereof; FIG. 5 is a right side elevation view thereof; FIG. 6 is a left side elevation view thereof; FIG. 7 is a top plan view thereof; and, FIG. 8 is a bottom plan view thereof. Broken lines showing portions of the article form no part of the claimed design. Dash-dot lines represent bounds of the claimed design and form no part of the claimed design.

1 Claim, 8 Drawing Sheets



(58) **Field of Classification Search**
 CPC B02C 2002/00; B02C 2013/00; B02C
 2013/14; B02C 2013/145; B02C 2013/18;
 B02C 2013/1807; B02C 2013/1857;
 B02C 2013/1864; B30B 9/00; B30B 9/16;
 B30B 9/18; B30B 9/20; B30B 9/26;
 B30B 9/205; B30B 9/207
 See application file for complete search history.

(56) **References Cited**
 U.S. PATENT DOCUMENTS

243,035 A 6/1881 Geer
 256,214 A 4/1882 Heizmann
 256,800 A 4/1882 Holton
 273,418 A 3/1883 Whittemore
 310,196 A 1/1885 Goodell
 319,905 A 6/1885 Hudson
 360,527 A 4/1887 Hudson
 959,137 A 5/1910 Hinchliffe
 1,006,621 A 10/1911 Arnold
 1,008,555 A 11/1911 Mower
 1,826,242 A 10/1931 Dehuff
 1,956,492 A 4/1934 China
 2,001,036 A 5/1935 Prince
 2,056,843 A 10/1936 Erro
 2,125,859 A 8/1938 Liebelt
 2,146,710 A 2/1939 Bloomfield
 2,156,645 A 5/1939 Waller
 2,284,155 A 5/1942 Landgraf
 2,305,288 A 12/1942 Cavalleri
 2,409,067 A 10/1946 Reed
 2,410,683 A 11/1946 Rios Y Marquez
 2,464,993 A 3/1949 Ross
 2,508,868 A 5/1950 Ross
 2,510,934 A 6/1950 Schildknecht
 2,585,255 A 2/1952 Kochner et al.
 2,600,281 A 6/1952 Sticelber
 2,664,002 A 12/1953 Anderson
 D173,029 S * 9/1954 Green et al. D7/372
 2,693,210 A 11/1954 Gustafson
 2,699,737 A 1/1955 Sticelber
 2,722,114 A 11/1955 Kochner
 2,759,830 A 8/1956 Touceda
 2,794,627 A 6/1957 Rodwick
 D181,157 S 10/1957 Madl
 2,905,452 A 9/1959 Appleton
 D186,728 S 11/1959 Talge
 2,946,299 A 7/1960 Clifford
 D192,704 S 5/1962 Giunta
 3,180,627 A 4/1965 Belonga
 3,211,202 A 10/1965 Mason
 3,220,450 A 11/1965 Aronson, II et al.
 3,268,342 A 8/1966 Yatuni
 3,357,469 A 12/1967 Pease et al.
 3,440,150 A 4/1969 Kramer et al.
 RE26,684 E 10/1969 Mason
 D222,209 S 10/1971 Dykes
 3,635,147 A 1/1972 Lee
 3,838,023 A 9/1974 Friedemann
 D233,123 S * 10/1974 Rigamonti D7/372
 3,883,283 A 5/1975 Herrera
 D236,283 S 8/1975 McCue
 D236,425 S 8/1975 McCue
 3,952,621 A 4/1976 Chambos
 3,956,517 A 5/1976 Curry et al.
 3,960,369 A 6/1976 Sommer
 4,078,481 A 3/1978 Wunderlin
 4,083,756 A 4/1978 Tajkowski
 4,213,569 A 7/1980 Amiot
 4,216,917 A 8/1980 Clare et al.
 4,234,605 A 11/1980 Takeuchi
 4,277,181 A 7/1981 Stahly et al.
 D260,351 S 8/1981 Shun
 4,332,539 A 6/1982 Zani
 4,337,000 A 6/1982 Lehmann
 4,348,166 A 9/1982 Fowler

4,390,133 A 6/1983 Wanat
 4,429,624 A 2/1984 Linn
 D276,202 S 11/1984 Shun
 4,487,509 A 12/1984 Boyce
 4,512,522 A 4/1985 Williams
 4,569,851 A 2/1986 Schultz
 4,581,990 A 4/1986 Matsumoto
 4,619,192 A 10/1986 Cycyk et al.
 4,628,808 A 12/1986 Simon
 4,649,810 A 3/1987 Wong
 4,693,610 A 9/1987 Weiss
 4,704,959 A 11/1987 Scallen
 4,714,203 A 12/1987 Williams
 4,770,619 A 9/1988 Rijkaart
 D300,400 S 3/1989 Kelly et al.
 4,817,512 A 4/1989 Vangen
 4,820,054 A 4/1989 Wong
 4,854,717 A 8/1989 Crane et al.
 4,878,627 A 11/1989 Otto
 4,942,807 A 7/1990 Wong
 4,959,517 A 9/1990 Jump et al.
 4,984,512 A 1/1991 Takahashi et al.
 5,022,315 A 6/1991 Bertram et al.
 5,054,383 A 10/1991 Cho
 5,091,046 A 2/1992 Hunter et al.
 5,272,961 A 12/1993 Campbell et al.
 5,289,760 A 3/1994 Barradas
 5,363,746 A 11/1994 Gordon
 5,402,710 A 4/1995 Chen
 D362,597 S 9/1995 Kim
 5,460,506 A 10/1995 Price, IV et al.
 5,463,937 A 11/1995 Belongia et al.
 5,469,782 A 11/1995 Wong
 5,470,599 A 11/1995 Ruhe
 5,486,100 A 1/1996 Hsu
 5,486,665 A 1/1996 Le Rouzic
 5,493,955 A 2/1996 Belongia et al.
 5,513,557 A 5/1996 Chiang
 D370,383 S 6/1996 Brefka
 5,558,011 A 9/1996 Heim
 D376,736 S 12/1996 Kim
 5,690,022 A 11/1997 Chai
 5,758,963 A 6/1998 Xie et al.
 5,770,239 A 6/1998 Ancona
 5,771,784 A 6/1998 Sham
 5,786,016 A 7/1998 Campbell et al.
 5,816,136 A 10/1998 Stallings
 5,823,675 A 10/1998 Myerly
 5,839,356 A 11/1998 Dornbush et al.
 RE36,155 E 3/1999 Scallen
 5,878,643 A 3/1999 Hwang
 5,919,493 A 7/1999 Sheppard et al.
 5,935,656 A 8/1999 Koerner et al.
 5,950,528 A 9/1999 Wang
 5,957,045 A 9/1999 He et al.
 D414,983 S 10/1999 Wong
 6,024,554 A 2/2000 Lawrence
 6,035,766 A 3/2000 Schirmer
 6,053,098 A 4/2000 Yamamoto
 6,113,966 A 9/2000 Belongia et al.
 6,148,169 A 11/2000 Tsukamoto
 6,163,095 A 12/2000 Shams et al.
 6,188,046 B1 2/2001 Barrow
 D444,669 S 7/2001 Prot
 6,259,068 B1 7/2001 Barrow
 6,270,826 B1 8/2001 Kashulines, Jr. et al.
 6,297,479 B1 10/2001 Wefers
 6,321,641 B1 11/2001 Wang
 6,373,031 B1 4/2002 Barrow
 6,442,866 B2 9/2002 Wefers
 D475,253 S * 6/2003 Yip D7/666
 6,609,455 B2 8/2003 Fouquet
 D484,738 S 1/2004 Wong
 6,698,338 B2 3/2004 Ancona et al.
 6,743,007 B2 6/2004 Backus et al.
 D495,921 S 9/2004 Lallemand
 6,805,312 B2 10/2004 Capp
 6,854,383 B2 2/2005 Wang
 6,948,609 B2 9/2005 Finger et al.

(56)

References Cited

U.S. PATENT DOCUMENTS

7,029,714 B2 4/2006 Mihalos et al.
 7,032,491 B2 4/2006 Fischer
 7,063,009 B2 6/2006 Lin
 7,083,040 B2 8/2006 Finger et al.
 D531,850 S 11/2006 Wong
 7,169,450 B2 1/2007 Bunick
 7,207,510 B2 4/2007 Wong
 7,238,017 B2 7/2007 Marcato
 D551,493 S 9/2007 Marcato
 D553,427 S 10/2007 Ball
 7,314,308 B2 1/2008 Fallowes et al.
 7,318,666 B1 1/2008 Lin
 7,461,589 B2 12/2008 Sinton
 D610,396 S 2/2010 Chiang
 7,775,705 B2 8/2010 Kozlowski et al.
 7,827,906 B1 11/2010 Carter
 7,887,314 B2 2/2011 Ruhe et al.
 7,993,694 B2 8/2011 Goderiaux et al.
 8,122,821 B2 2/2012 Sands
 8,162,653 B2 4/2012 Marcato
 8,210,737 B2 7/2012 Wong
 D669,324 S 10/2012 Bodum
 D677,975 S 3/2013 Jin et al.
 8,438,971 B1 5/2013 Thurley
 D683,577 S 6/2013 Cohen
 D712,696 S 9/2014 Huber et al.
 D715,094 S 10/2014 Cornu et al.
 D721,548 S 1/2015 Jin
 D721,549 S * 1/2015 Li D7/666
 D725,440 S * 3/2015 Kim D7/665
 D747,916 S 1/2016 Wong
 9,500,235 B2 11/2016 Kanning
 D775,491 S 1/2017 Brinkley et al.
 D790,918 S * 7/2017 Benoit D7/372
 9,775,467 B2 10/2017 Sapire
 D811,158 S 2/2018 Yuan
 2001/0019778 A1 9/2001 Gardaz et al.
 2001/0028909 A1 10/2001 Kashulines, Jr. et al.
 2001/0032856 A1 10/2001 Casey
 2002/0006464 A1 1/2002 Wefers
 2002/0181322 A1 12/2002 Brunswick et al.
 2004/0001387 A1 1/2004 Hallar et al.
 2004/0145965 A1 7/2004 Chan et al.
 2005/0058018 A1 3/2005 Hooper et al.
 2005/0120888 A1 6/2005 Wang
 2005/0257692 A1 11/2005 Marcato

2006/0044935 A1 3/2006 Benelli et al.
 2006/0117961 A1 6/2006 Guo
 2006/0254429 A1 11/2006 Sinton
 2008/0213447 A1 9/2008 Payen et al.
 2008/0271609 A1 11/2008 Pahl et al.
 2009/0090254 A1 4/2009 Herren
 2009/0120301 A1 5/2009 Severnak
 2009/0310436 A1 12/2009 Huang et al.
 2010/0012639 A1 1/2010 Merrell et al.
 2010/0028514 A1 2/2010 Goderiaux et al.
 2010/0147160 A1 6/2010 Oochi
 2010/0196529 A1 8/2010 Marcato
 2010/0308142 A1 12/2010 Krasznaï et al.
 2011/0017750 A1 1/2011 Fortkamp
 2011/0063941 A1 3/2011 Seidler et al.
 2011/0185917 A1 8/2011 Goderiaux et al.
 2011/0214574 A1 9/2011 Chang
 2011/0248108 A1 10/2011 Carriere
 2012/0042786 A1 2/2012 Fedell
 2012/0138716 A1 6/2012 Taguchi et al.
 2013/0074700 A1 3/2013 Cheung
 2015/0000534 A1 1/2015 Hager et al.
 2015/0098299 A1 4/2015 Sapire
 2015/0201787 A1 7/2015 Holzbauer et al.
 2015/0238042 A1 8/2015 Tonelli et al.
 2016/0332166 A1 11/2016 Chen

FOREIGN PATENT DOCUMENTS

EP 1230857 A1 8/2002
 EP 1430824 A1 6/2004
 EP 2269491 A1 1/2011
 EP 2508110 A1 10/2012
 FI 943990 A 8/1994
 FR 2447703 8/1980
 FR 2939298 A1 6/2010
 JP 6211066 A 1/1987
 JP 2010029103 A 2/2010
 WO 9415511 A1 7/1994
 WO 2009016465 A2 2/2009
 WO 2009141699 A2 11/2009

OTHER PUBLICATIONS

Charles A. Grubbs; "Anodizing of Aluminum"; Consultant, Alpharetta, GA.; pp. 478-493; date unknown.

* cited by examiner

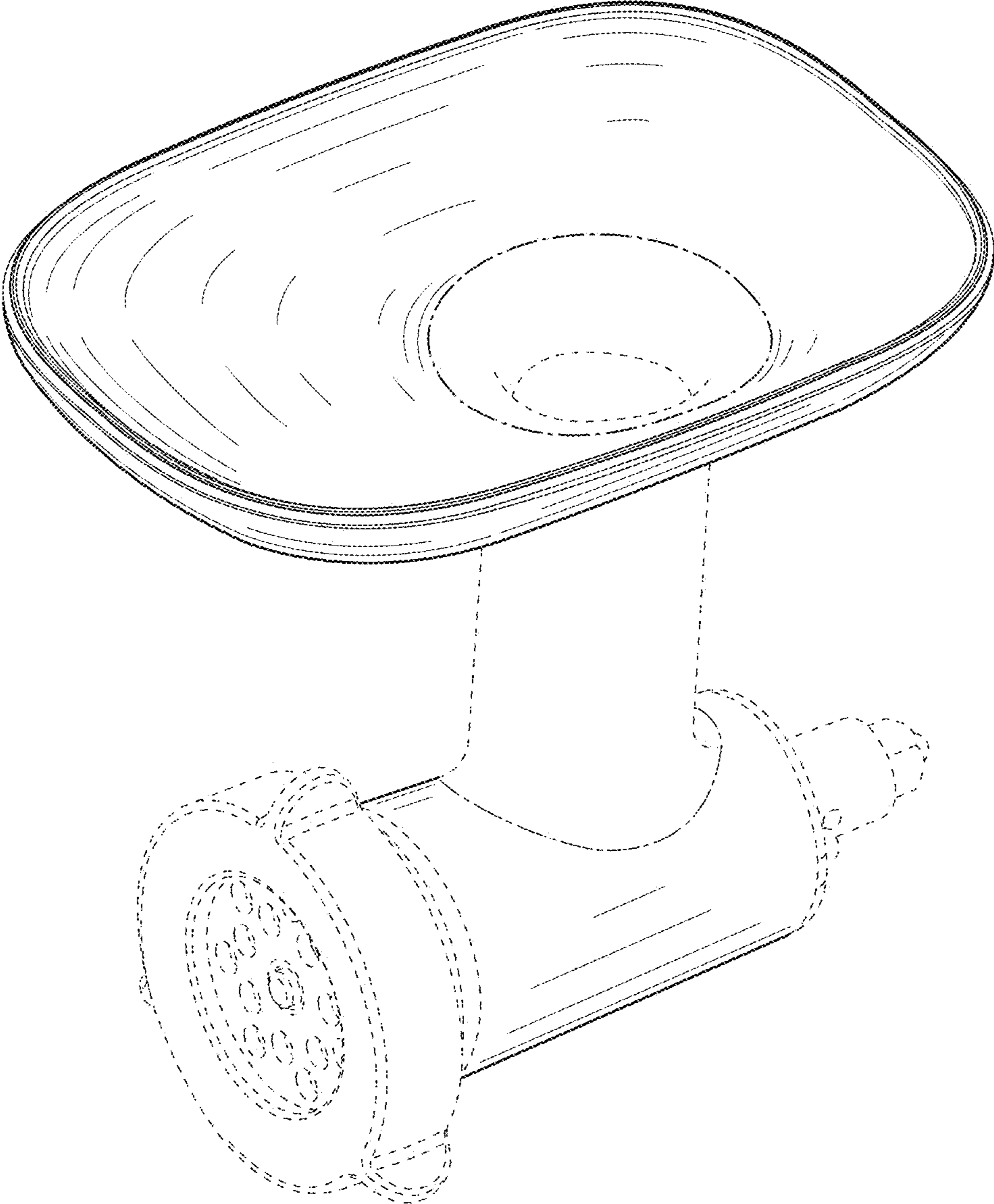


FIG. 1

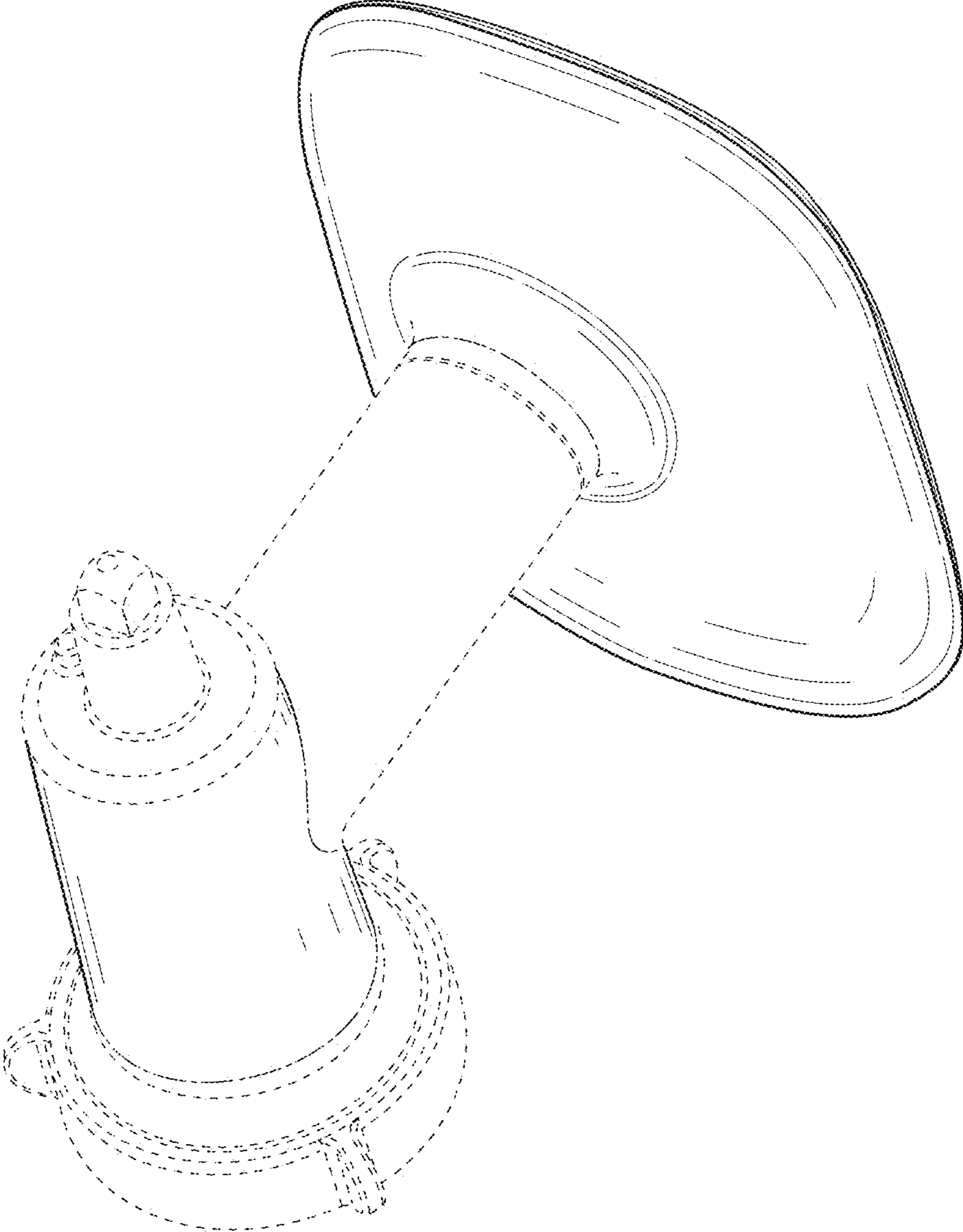


FIG. 2

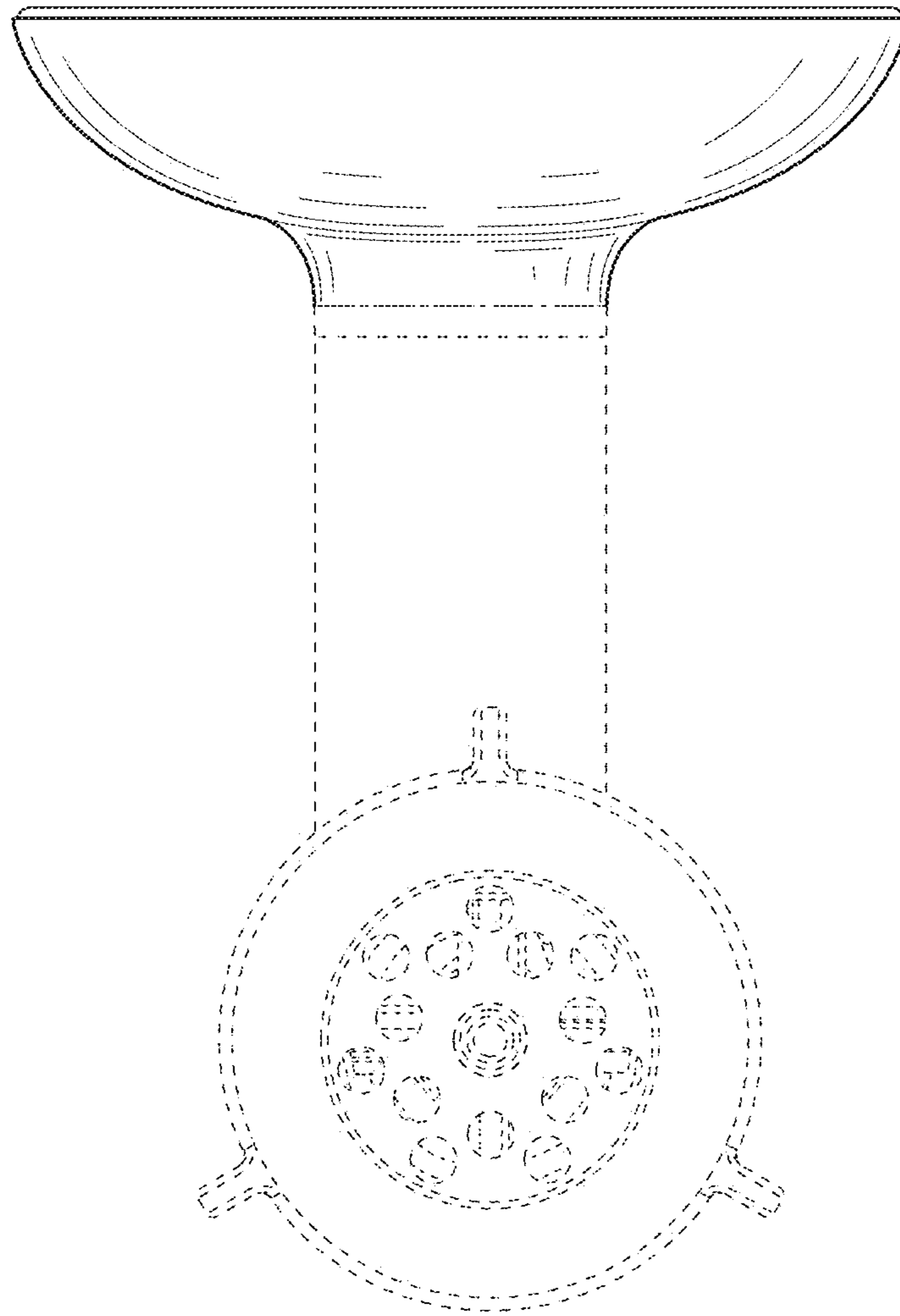


FIG. 3

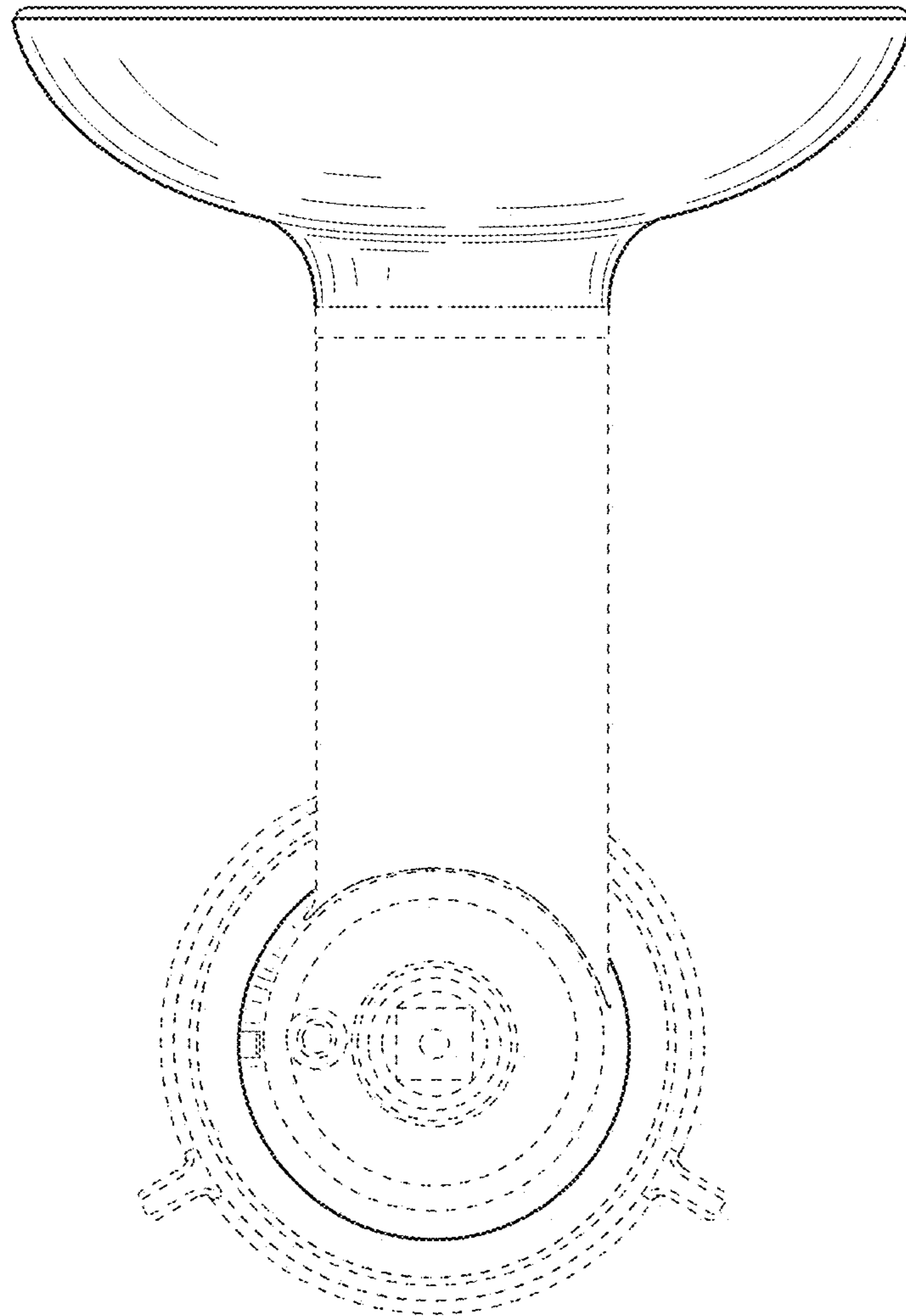


FIG. 4

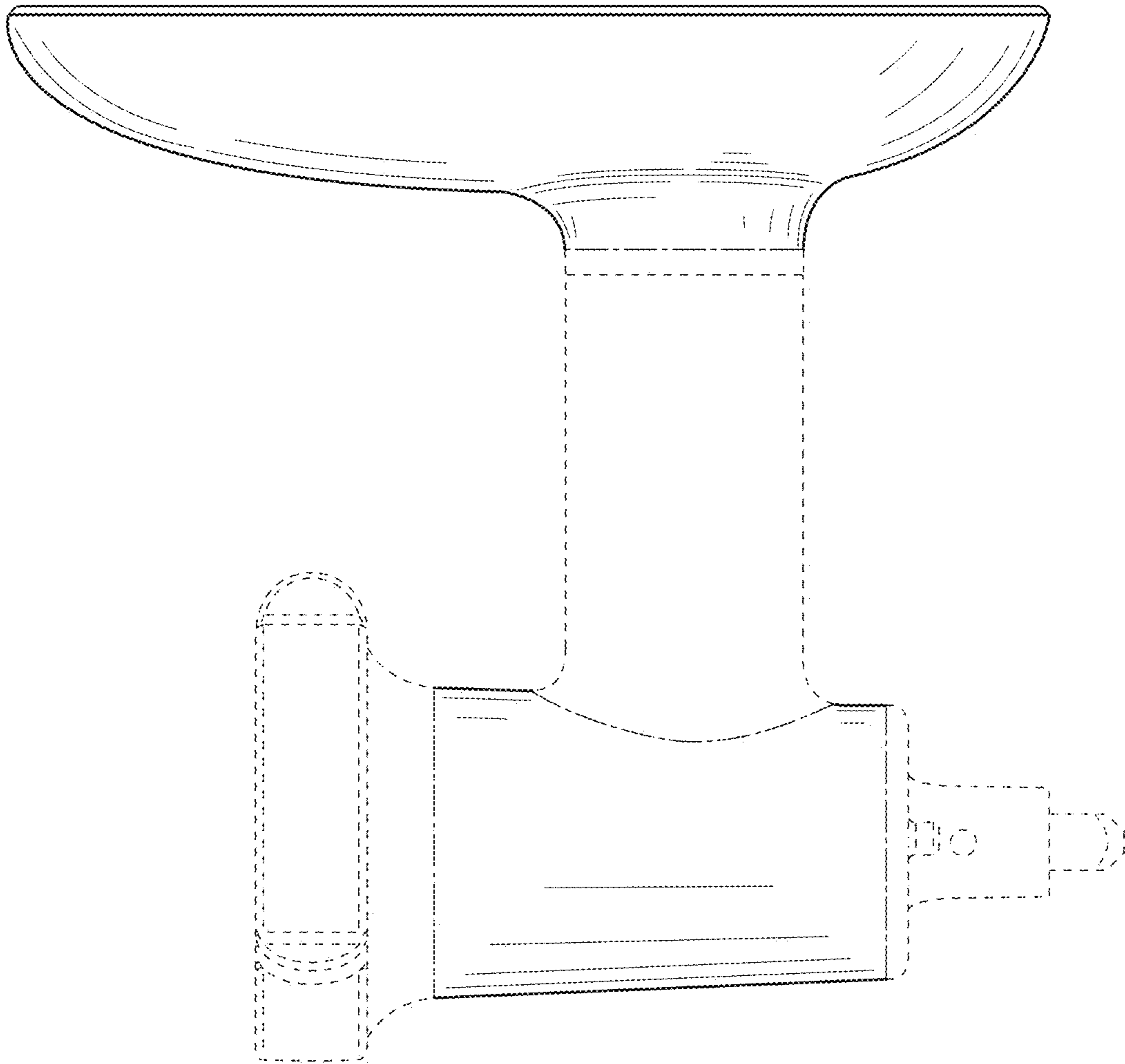


FIG. 5

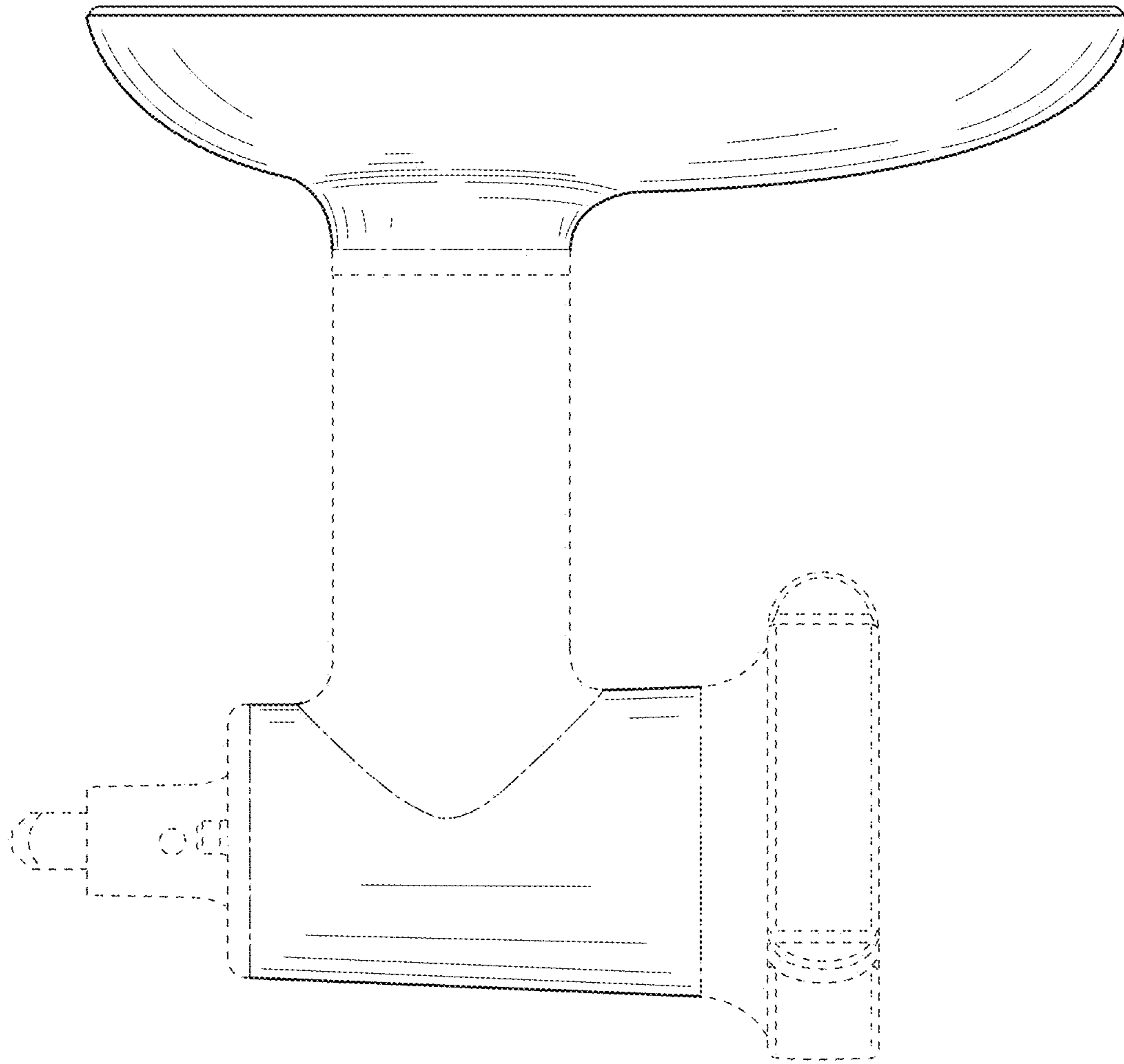


FIG. 6

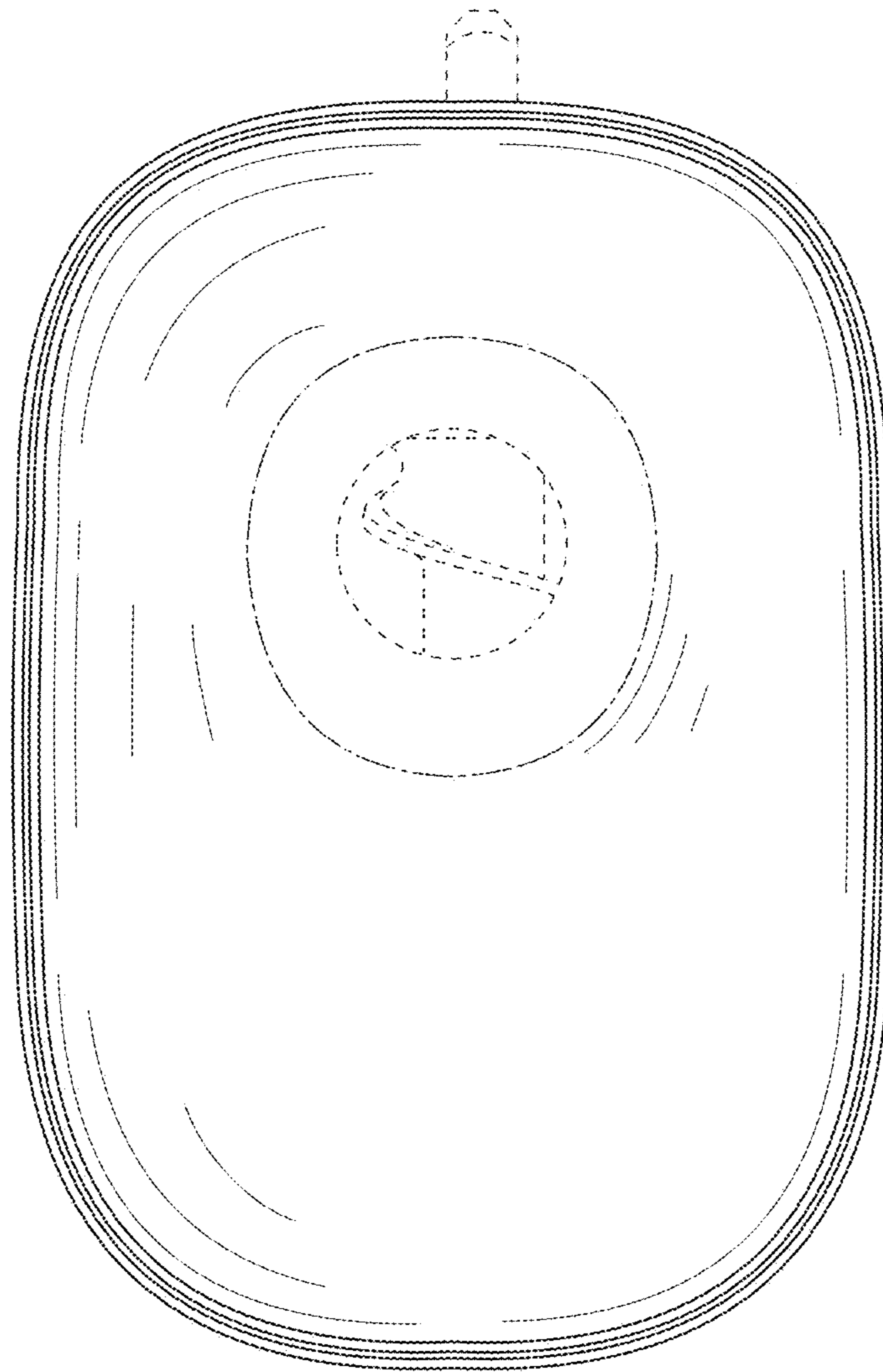


FIG. 7

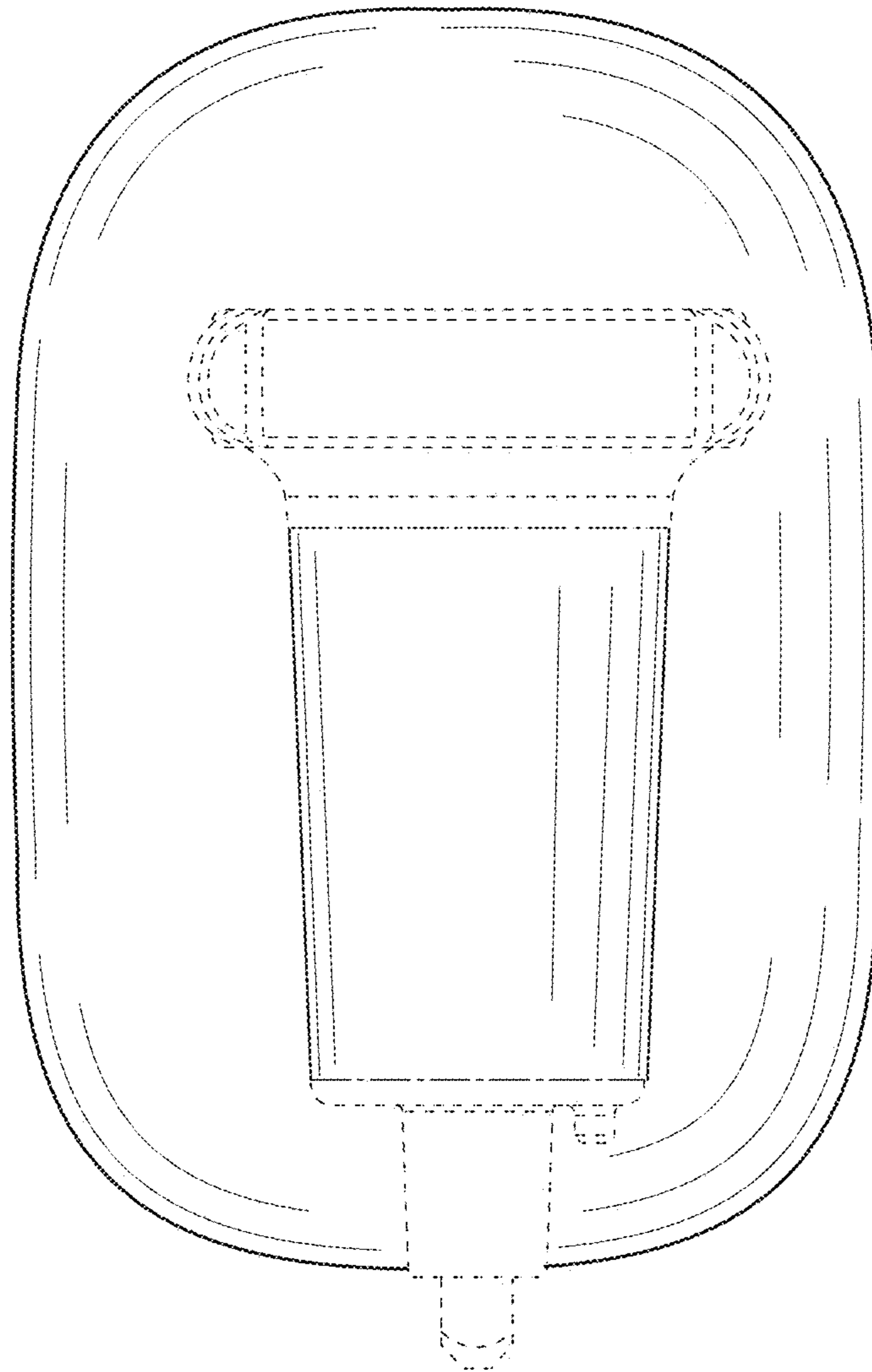


FIG. 8