



US00D878145S

(12) **United States Design Patent**
Bodum

(10) **Patent No.:** **US D878,145 S**

(45) **Date of Patent:** **** Mar. 17, 2020**

- (54) **HEATER**
- (71) Applicant: **PI-Design AG**, Triengen (CH)
- (72) Inventor: **Jorgen Bodum**, Meggen (CH)
- (73) Assignee: **PI-Design AG**, Triengen (CH)
- (**) Term: **15 Years**
- (21) Appl. No.: **29/672,060**
- (22) Filed: **Dec. 3, 2018**
- (30) **Foreign Application Priority Data**
 - Jun. 4, 2018 (WO) DM/101590
- (51) **LOC (12) Cl.** **07-02**
- (52) **U.S. Cl.**
 - USPC **D7/367**; D7/362; D7/363
- (58) **Field of Classification Search**
 - USPC D7/323, 337, 339, 341, 352, 354–355,
D7/362–367, 409–411
 - CPC A21B 1/06; A21B 1/50; A21B 1/52; A47J
27/10; A47J 37/04; A47J 37/046; A47J
37/06; A47J 37/015; A47J 37/067; A47J
37/0611; A47J 37/0629; A47J 37/0676;
B01F 13/04; B01F 13/0818; F24C 7/06;
F24C 7/082; F24C 7/083; F24C 15/02;
F24C 15/166; H05B 3/20; H05B 3/40;
H05B 6/1209; H05B 6/1227

See application file for complete search history.

- 5,687,642 A * 11/1997 Chao H05B 6/1227
219/624
- 6,087,637 A * 7/2000 Fischer F24C 7/082
219/465.1
- D501,117 S * 1/2005 Bassill D7/367
- 7,494,267 B2 * 2/2009 Ware B01F 13/04
366/274
- D621,205 S * 8/2010 Yeung D7/367
- D730,680 S * 6/2015 Palermo D7/367
- D790,910 S * 7/2017 Hosoda D7/362
- D854,876 S * 7/2019 Zou D7/367
- 2002/0027175 A1 * 3/2002 Capp A47J 43/046
241/199.12
- 2016/0330798 A1 * 11/2016 Kamaunu H05B 6/1209
- 2017/0188743 A1 * 7/2017 Snyder A47J 27/10

* cited by examiner

Primary Examiner — Ricky Pham

(74) *Attorney, Agent, or Firm* — McDonnell Boehnen
Hulbert & Berghoff LLP

(57) **CLAIM**

The ornamental design for a heater, as shown and described.

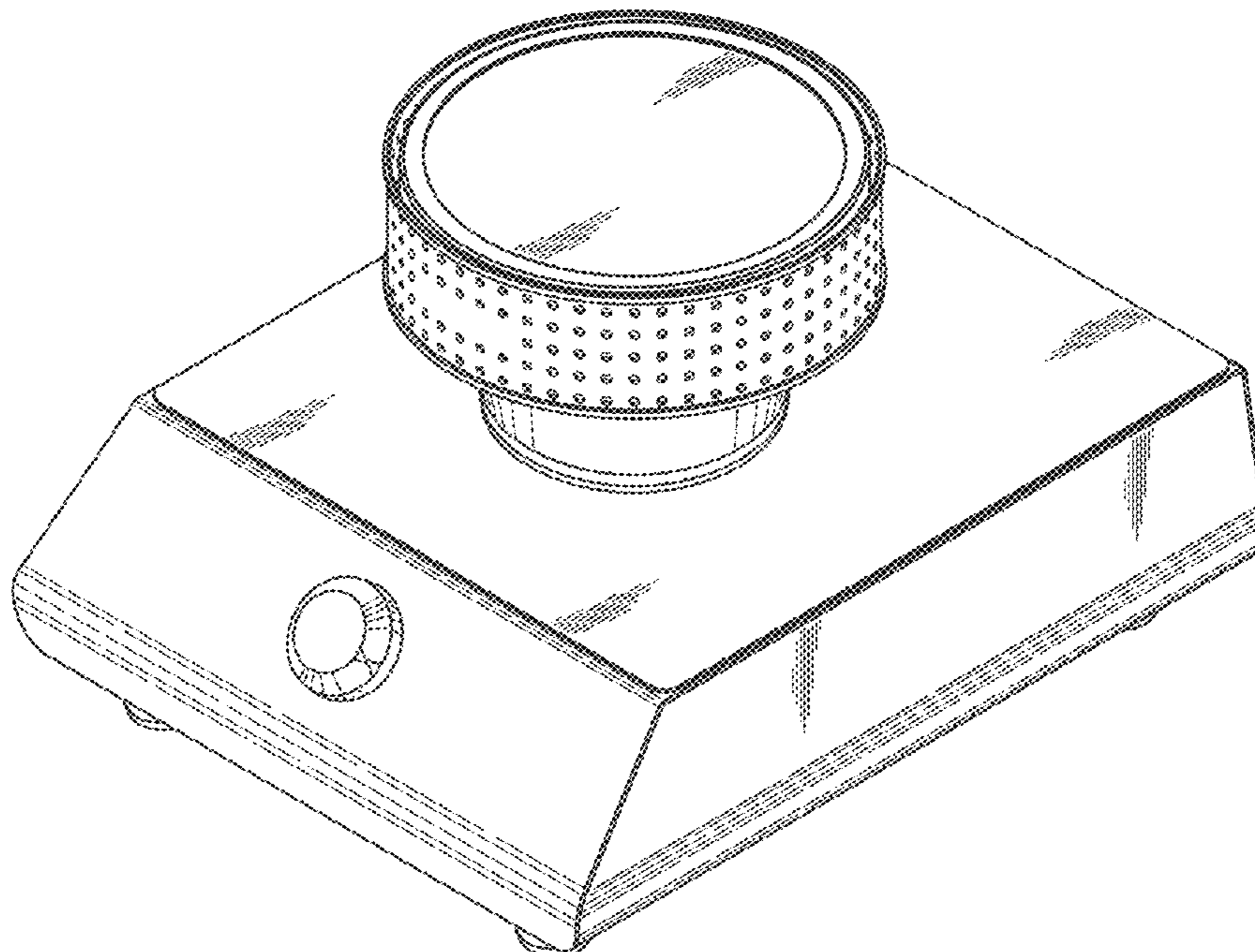
DESCRIPTION

FIG. 1 is a perspective view of a heater showing my new design;
 FIG. 2 is a front view thereof;
 FIG. 3 is a rear view thereof;
 FIG. 4 is a left side view thereof;
 FIG. 5 is a right side view thereof;
 FIG. 6 is a top view thereof; and,
 FIG. 7 is a bottom view thereof.

1 Claim, 7 Drawing Sheets

(56) **References Cited**
U.S. PATENT DOCUMENTS

- D297,701 S * 9/1988 Nakagawa D7/363
- 4,991,973 A * 2/1991 Maaz B01F 13/0818
177/212



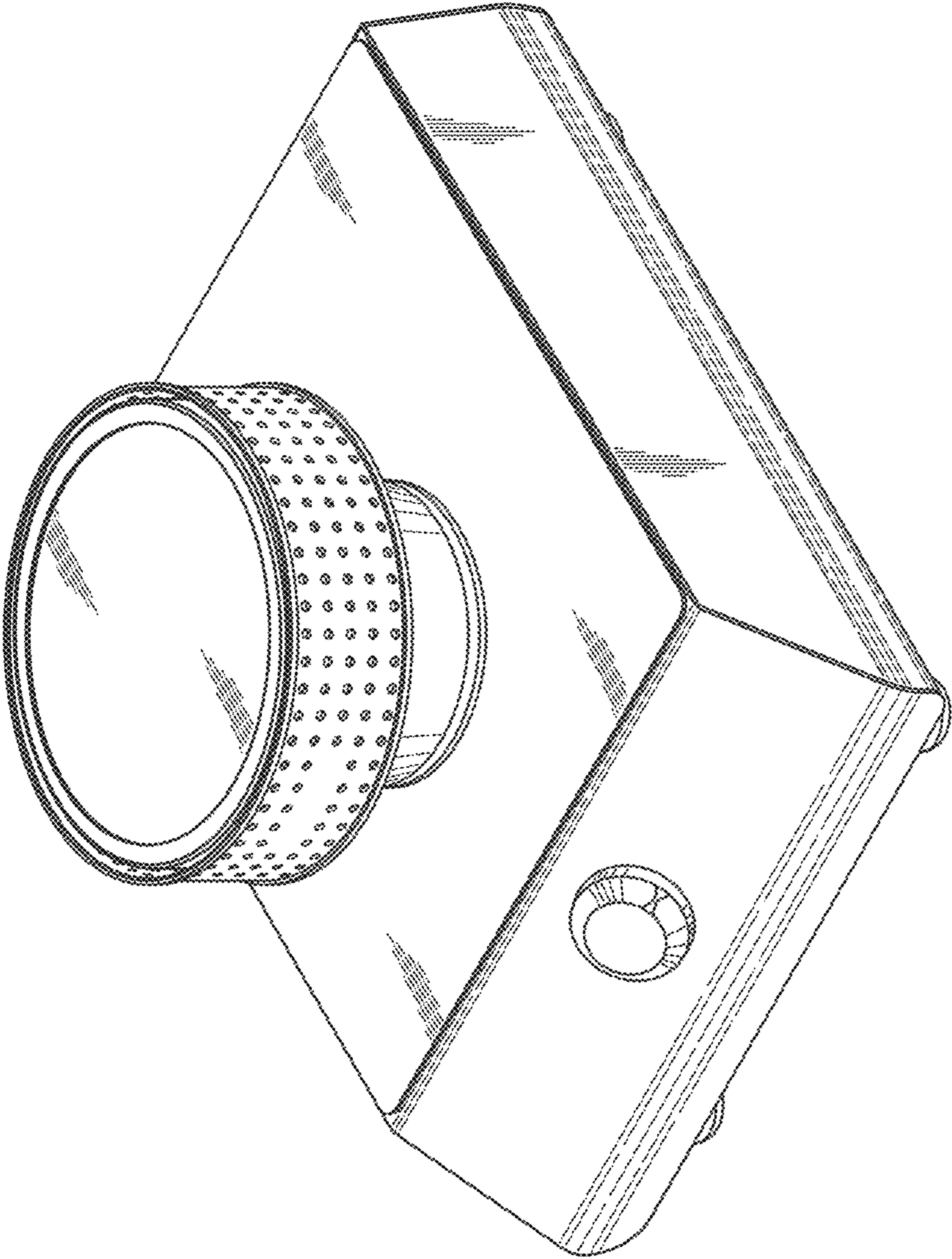


FIG. 1

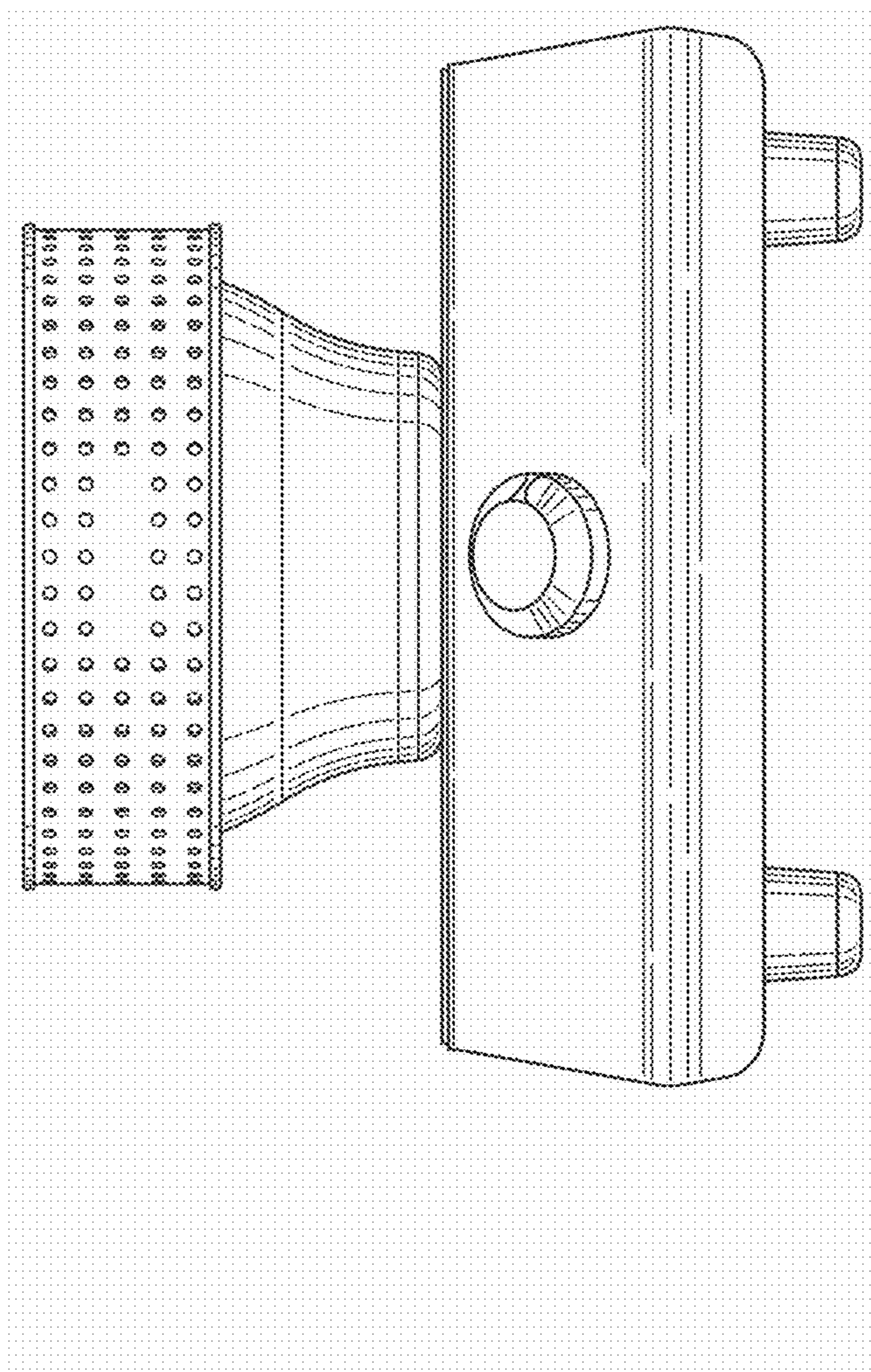


FIG. 2

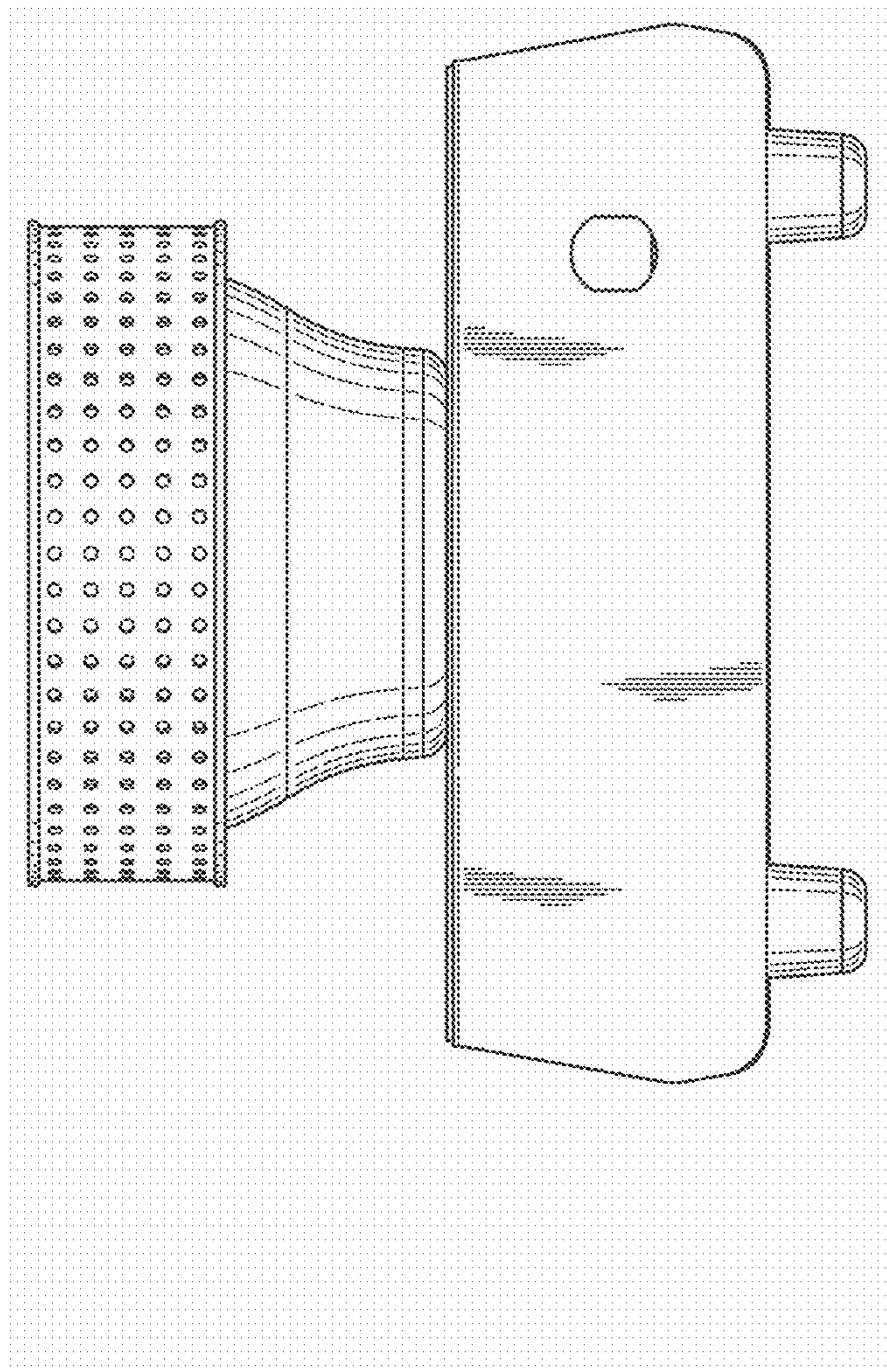


FIG. 3

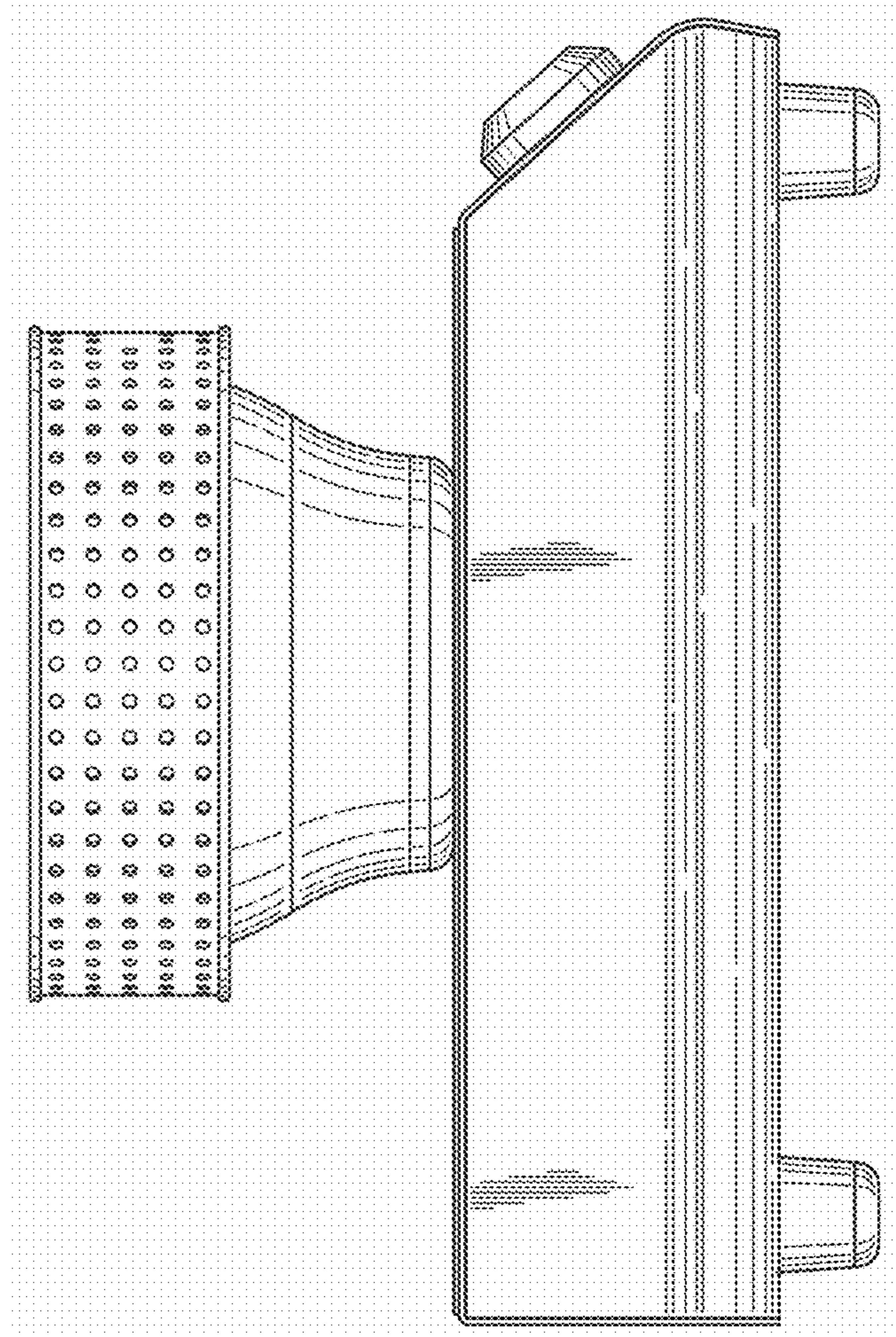


FIG. 4

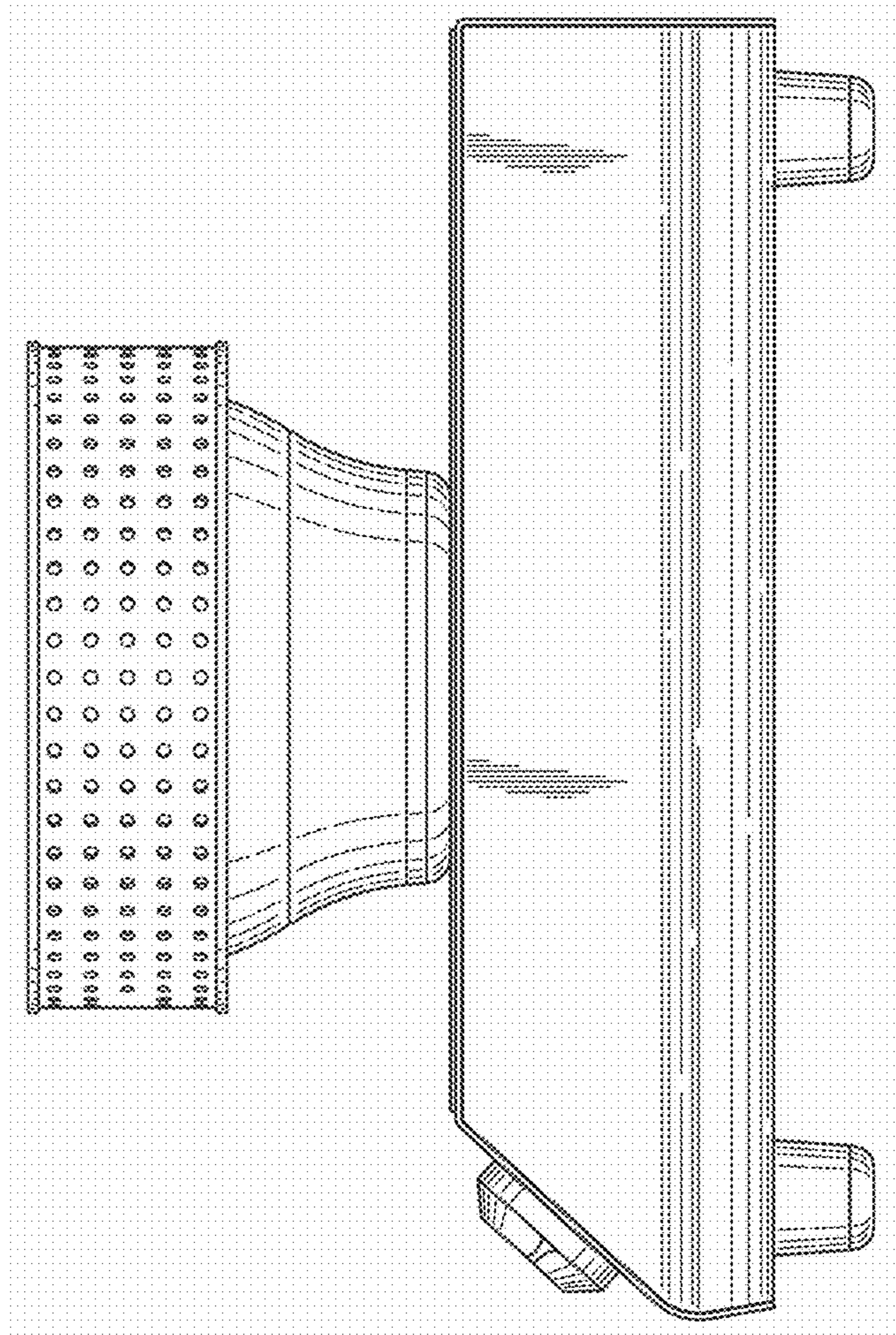


FIG. 5

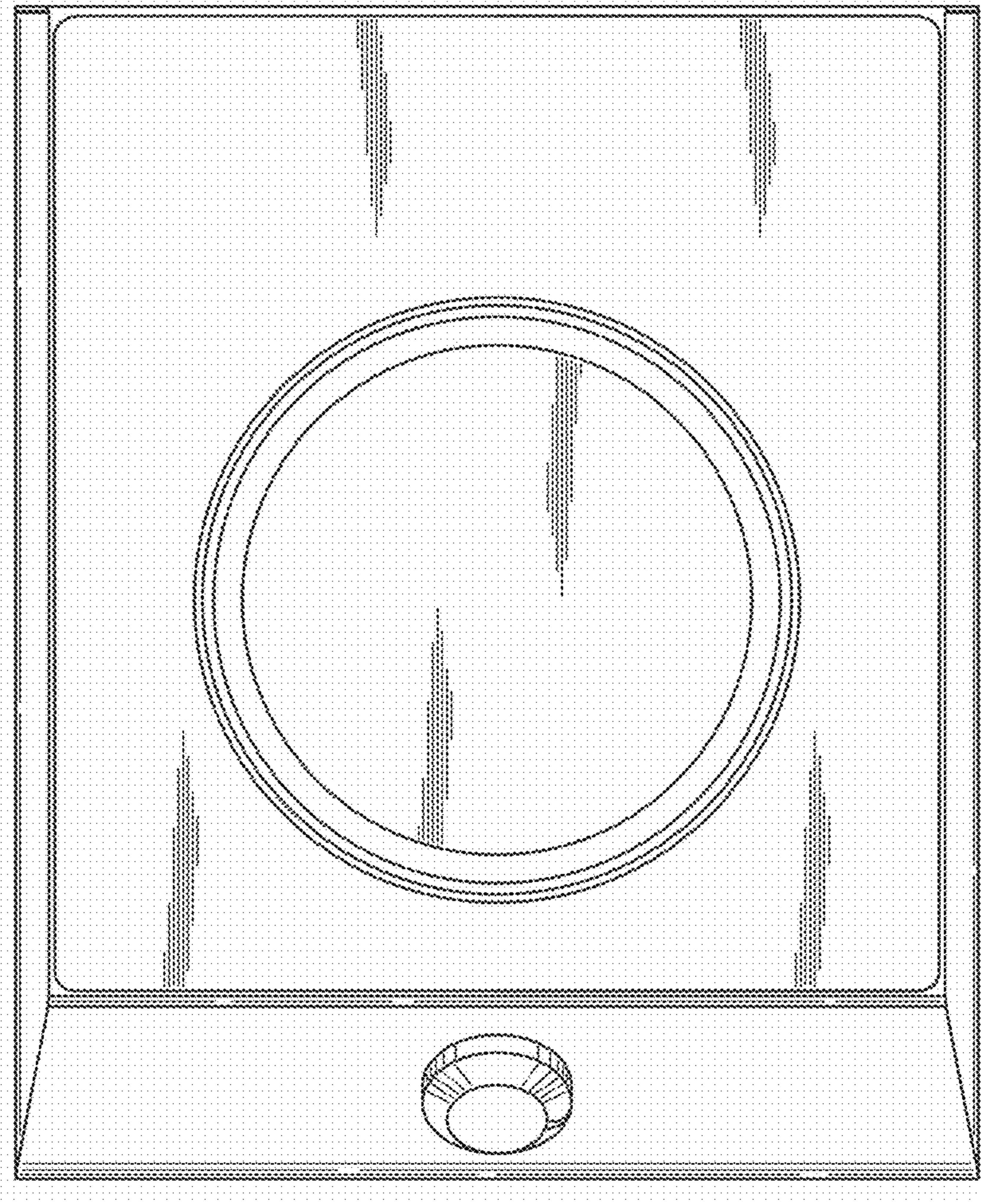


FIG. 6

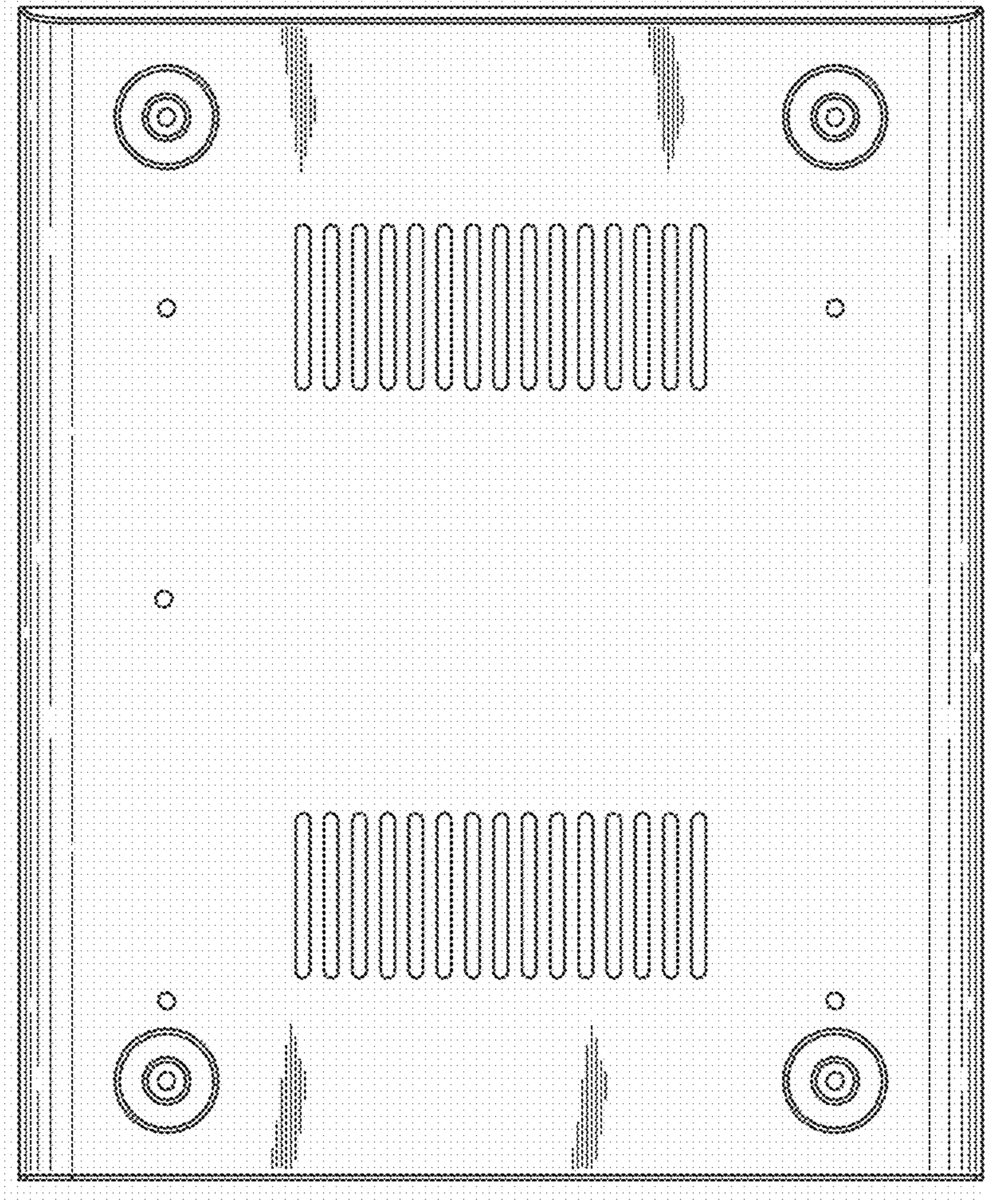


FIG. 7