



US00D878144S

(12) **United States Design Patent**
Armistead et al.

(10) **Patent No.:** **US D878,144 S**
(45) **Date of Patent:** **** Mar. 17, 2020**

(54) **BAKEWARE**

1/22; B65D 1/24; B65D 1/34; B65D
1/36; B65D 81/343; B65D 85/36

(71) Applicant: **The Decor Corporation Pty Ltd**,
Dandenong South, VIC (AU)

See application file for complete search history.

(72) Inventors: **Justin Armistead**, The Basin (AU);
George Kotsiopoulos, Bonbeach (AU);
Alexander Schoenmakers, Elwood
(AU)

(56) **References Cited**

U.S. PATENT DOCUMENTS

D426,104 S * 6/2000 Bradley D7/359
D469,311 S * 1/2003 Stone D7/546
D579,712 S * 11/2008 Simon D7/359
9,957,092 B2 * 5/2018 Worden B05C 13/00

(73) Assignee: **The Decor Corporation Pty Ltd**,
Dandenong South, VIC (AU)

* cited by examiner

(**) Term: **15 Years**

Primary Examiner — Ricky Pham

(21) Appl. No.: **29/659,079**

(74) *Attorney, Agent, or Firm* — Stevens & Showalter
LLP

(22) Filed: **Aug. 6, 2018**

(57) **CLAIM**

The ornamental design for bakeware, as shown and
described.

(30) **Foreign Application Priority Data**

Feb. 7, 2018 (AU) 201810726
Feb. 7, 2018 (AU) 201811885

DESCRIPTION

(51) **LOC (12) Cl.** **07-02**

FIG. 1 is a perspective view of bakeware as seen from the
top side thereof;

(52) **U.S. Cl.**
USPC **D7/359**; D7/354

FIG. 2 is a perspective view of the bakeware as seen from
the bottom side thereof;

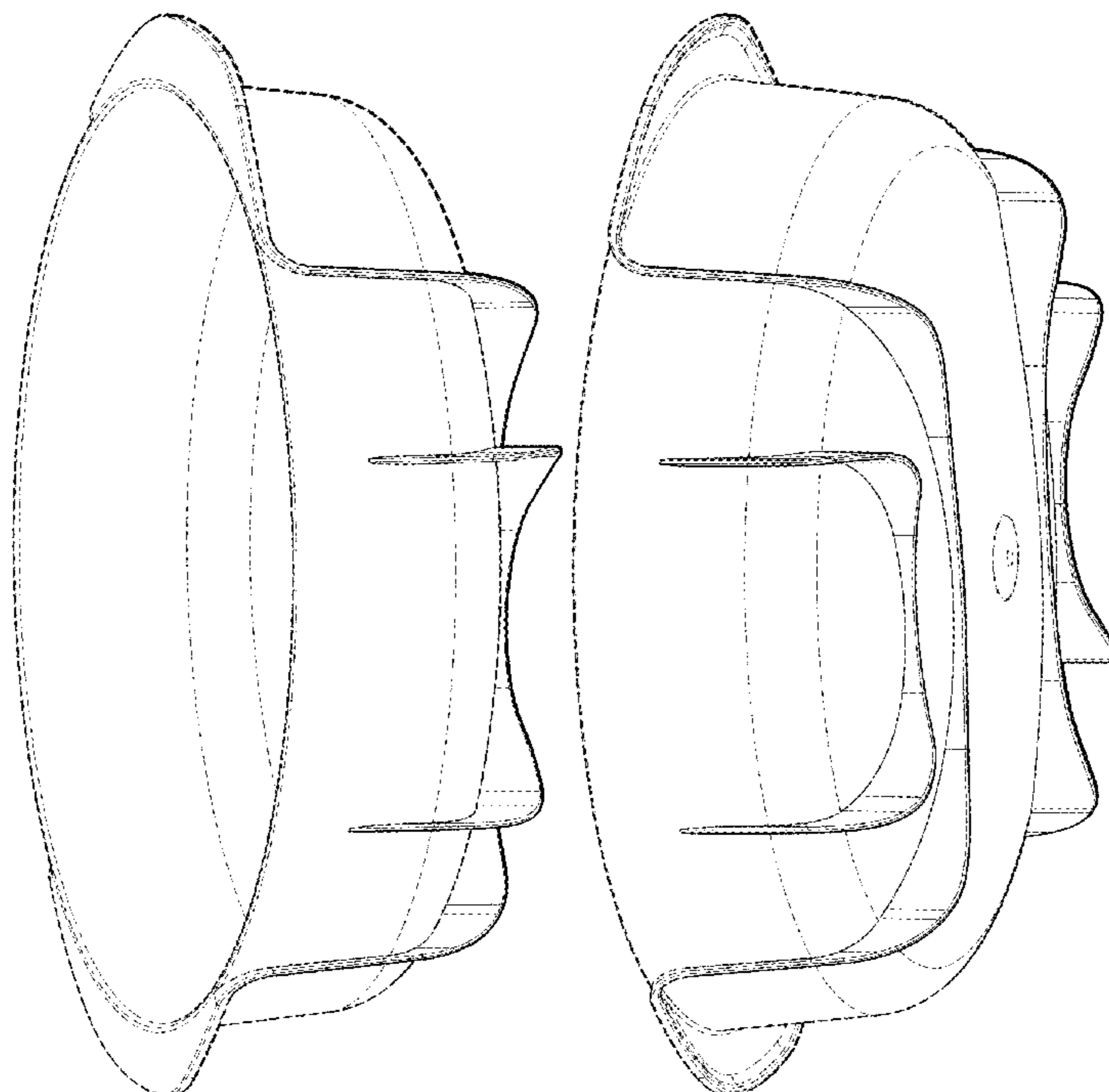
(58) **Field of Classification Search**
USPC D7/323, 354–361, 543, 545, 549, 550.1,
D7/553.1–553.8, 554.1–554.4, 555, 584,
D7/586; D9/430–433, 455–456, 658,
D9/737, 756–762

FIG. 3 is a front elevational view thereof;
FIG. 4 is a rear elevational view thereof;
FIG. 5 is a first side elevational view thereof;
FIG. 6 is a second side elevational view thereof;
FIG. 7 is a top plan view thereof; and,
FIG. 8 is a bottom plan view thereof.

CPC A21B 3/00; A21B 3/13; A21B 3/15; A21B
3/133–134; A21B 5/00; A21B 5/02; A47J
36/022; A47J 36/025; A47J 36/027; A47J
36/24; A47J 36/28; A47J 36/2405; A47J
37/00; A47J 37/04; B05C 13/00; B65D

The broken lines shown in the drawings represent unclaimed
subject matter and form no part of the claimed design.

1 Claim, 8 Drawing Sheets



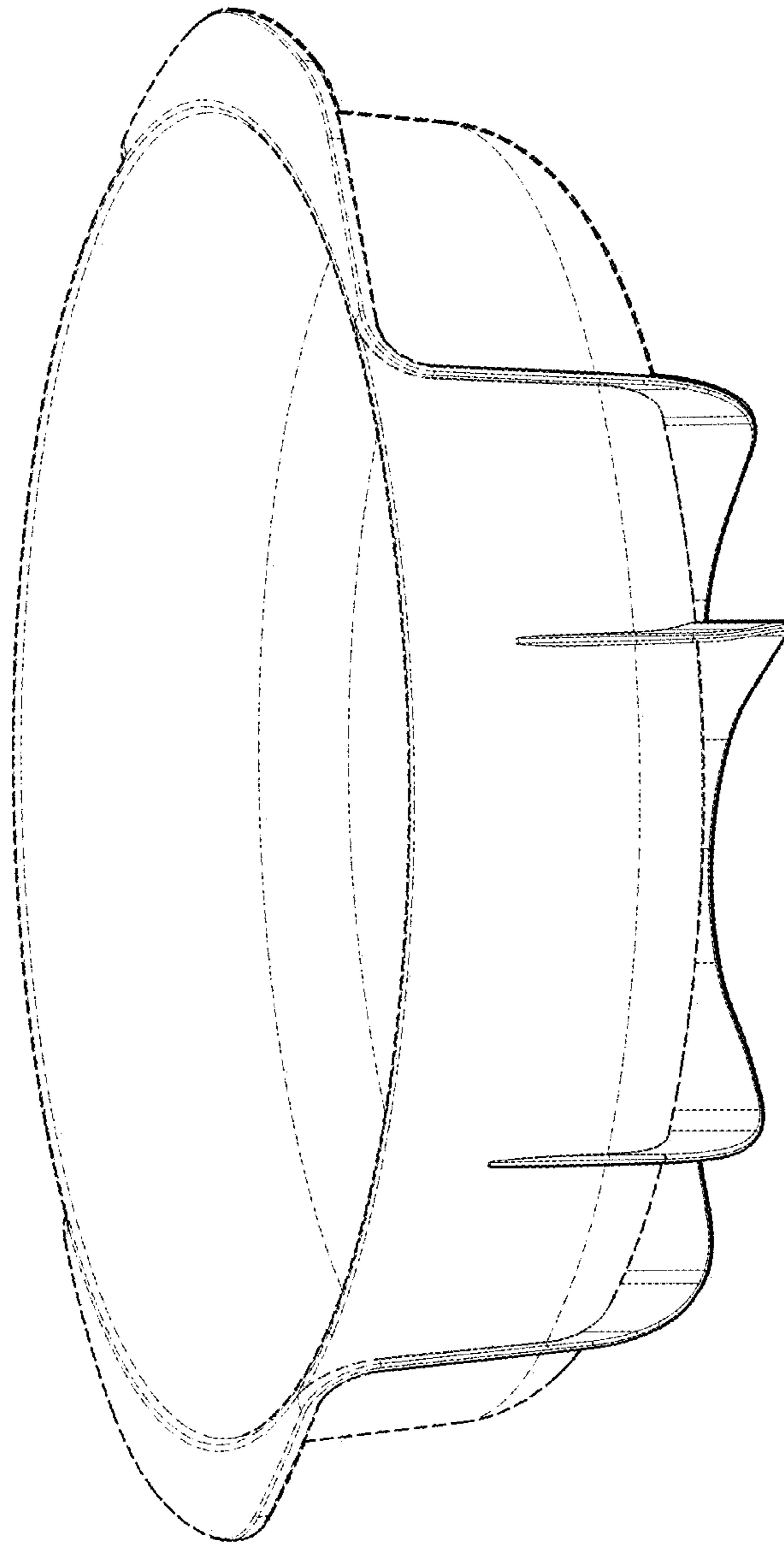


FIG. 1

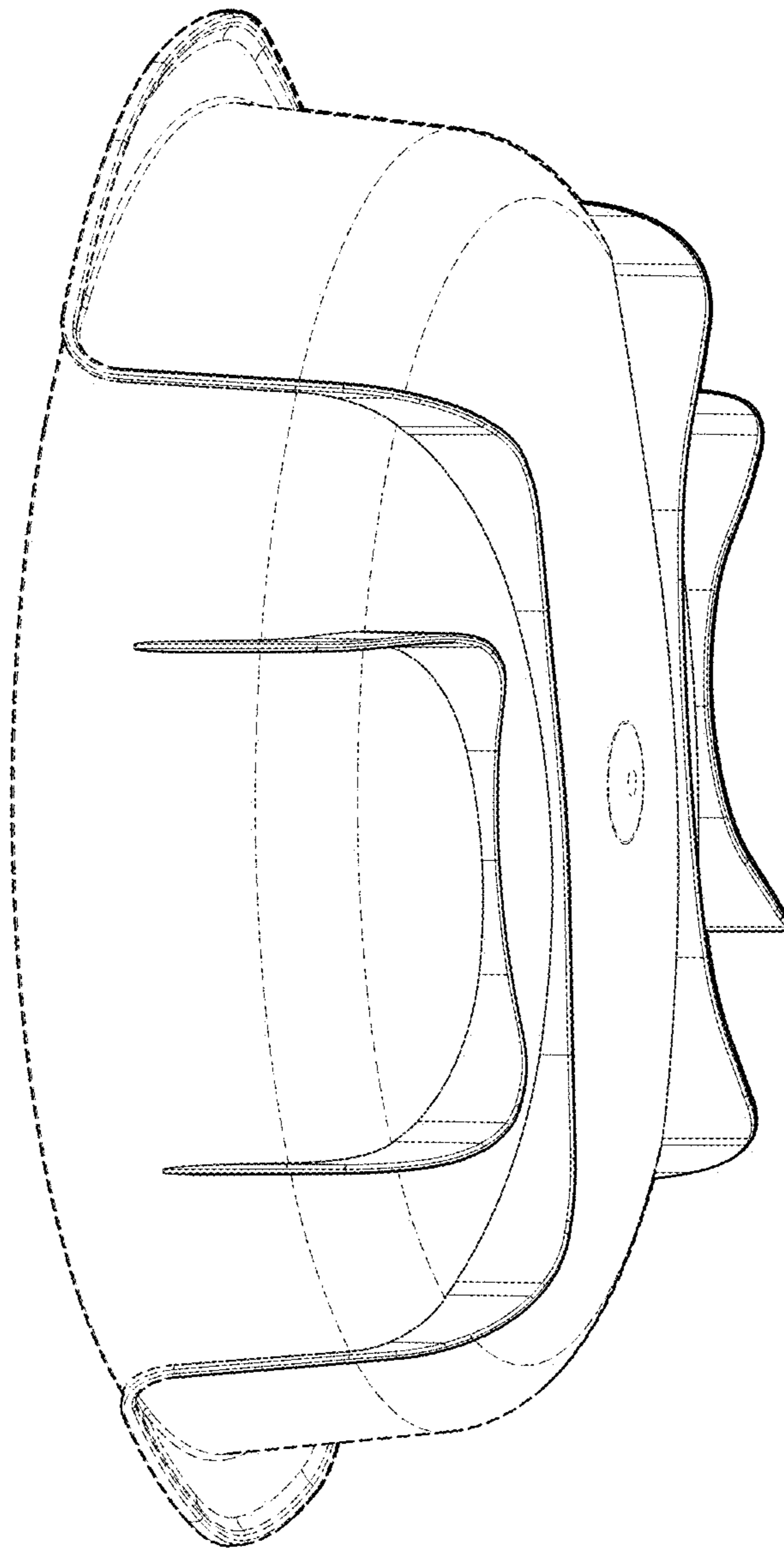


FIG. 2

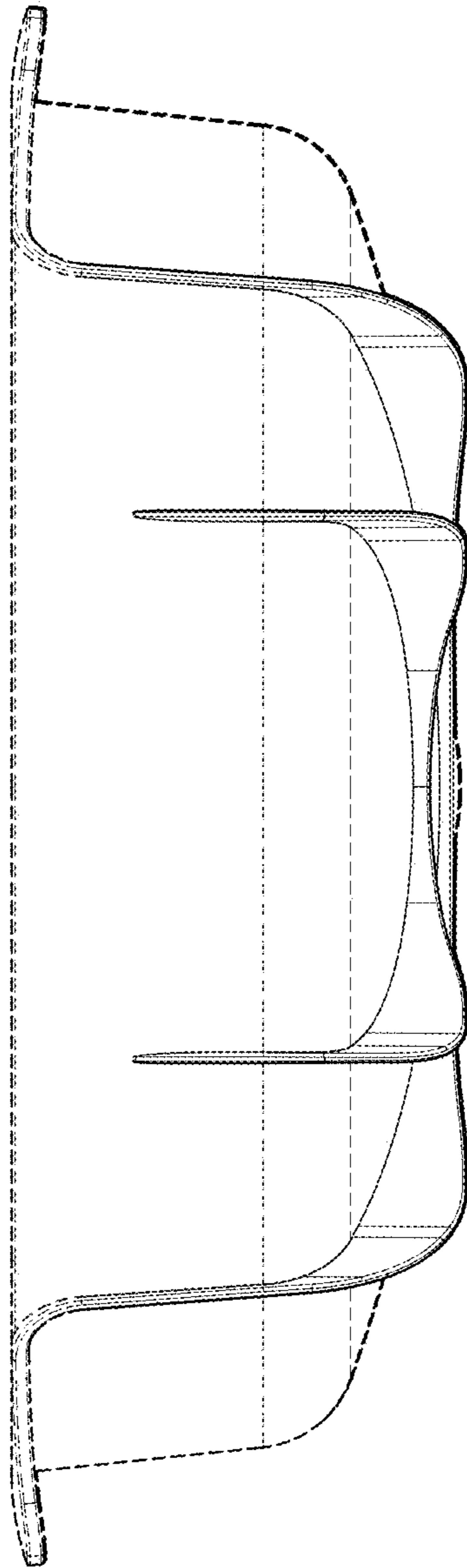


FIG. 3

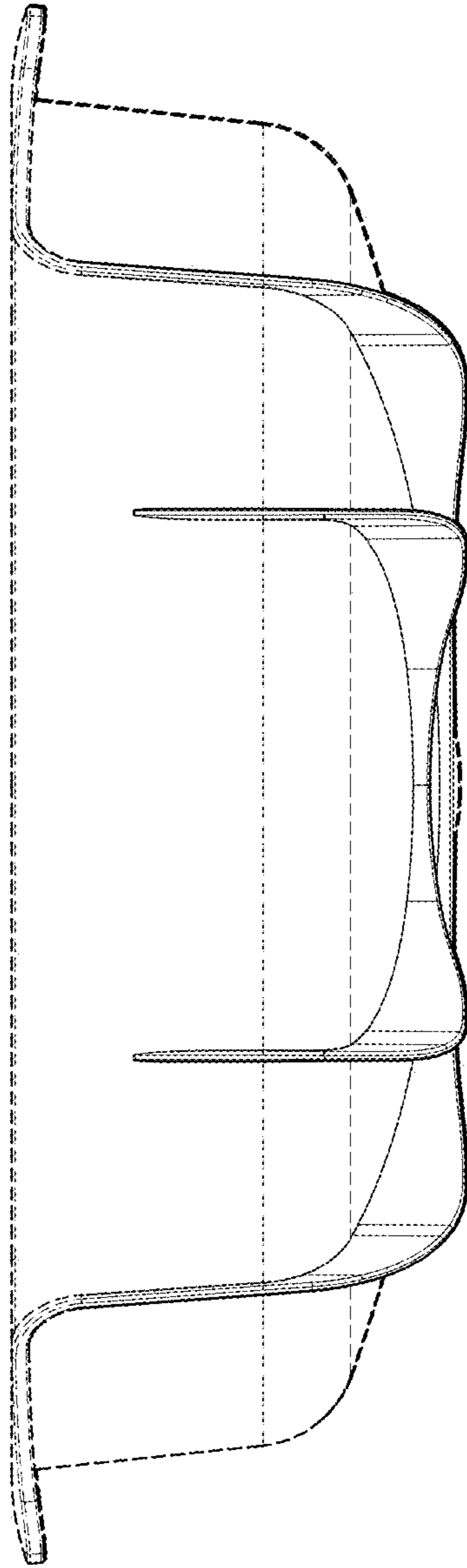


FIG. 4

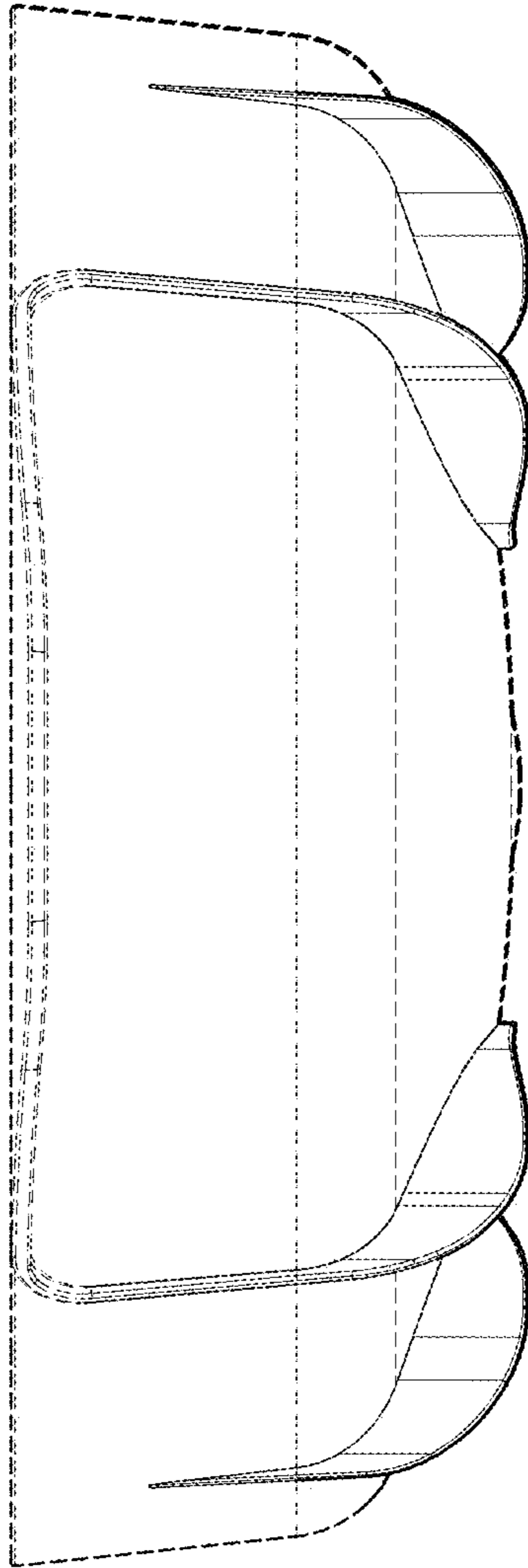


FIG. 5

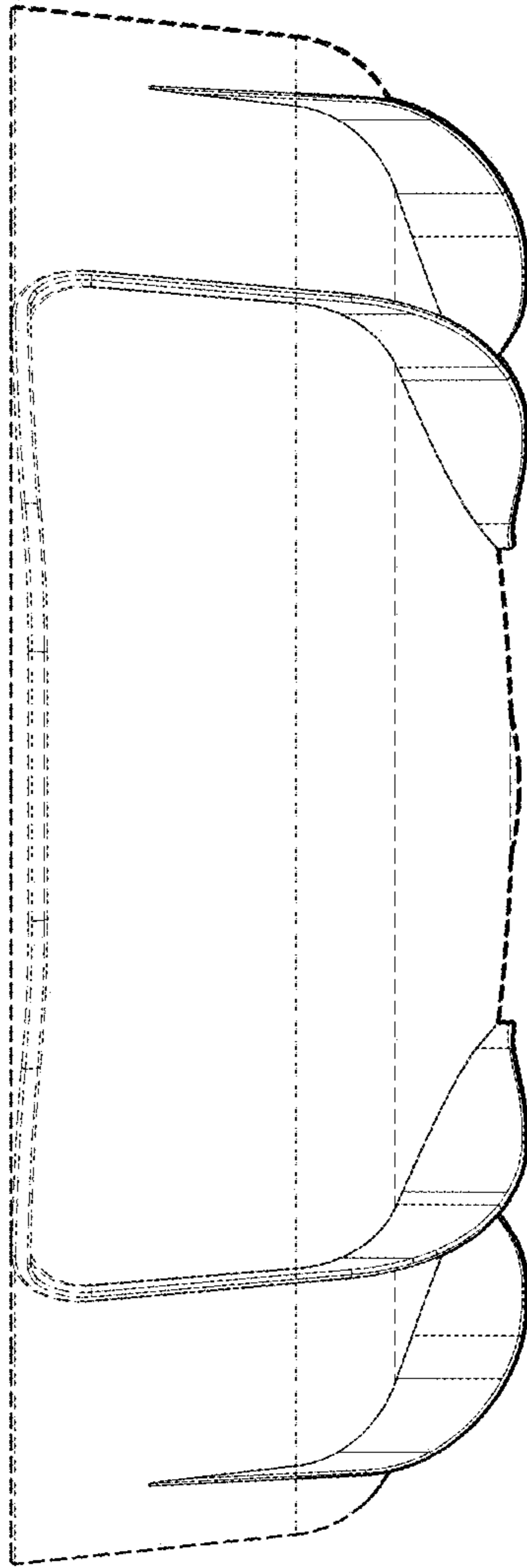


FIG. 6

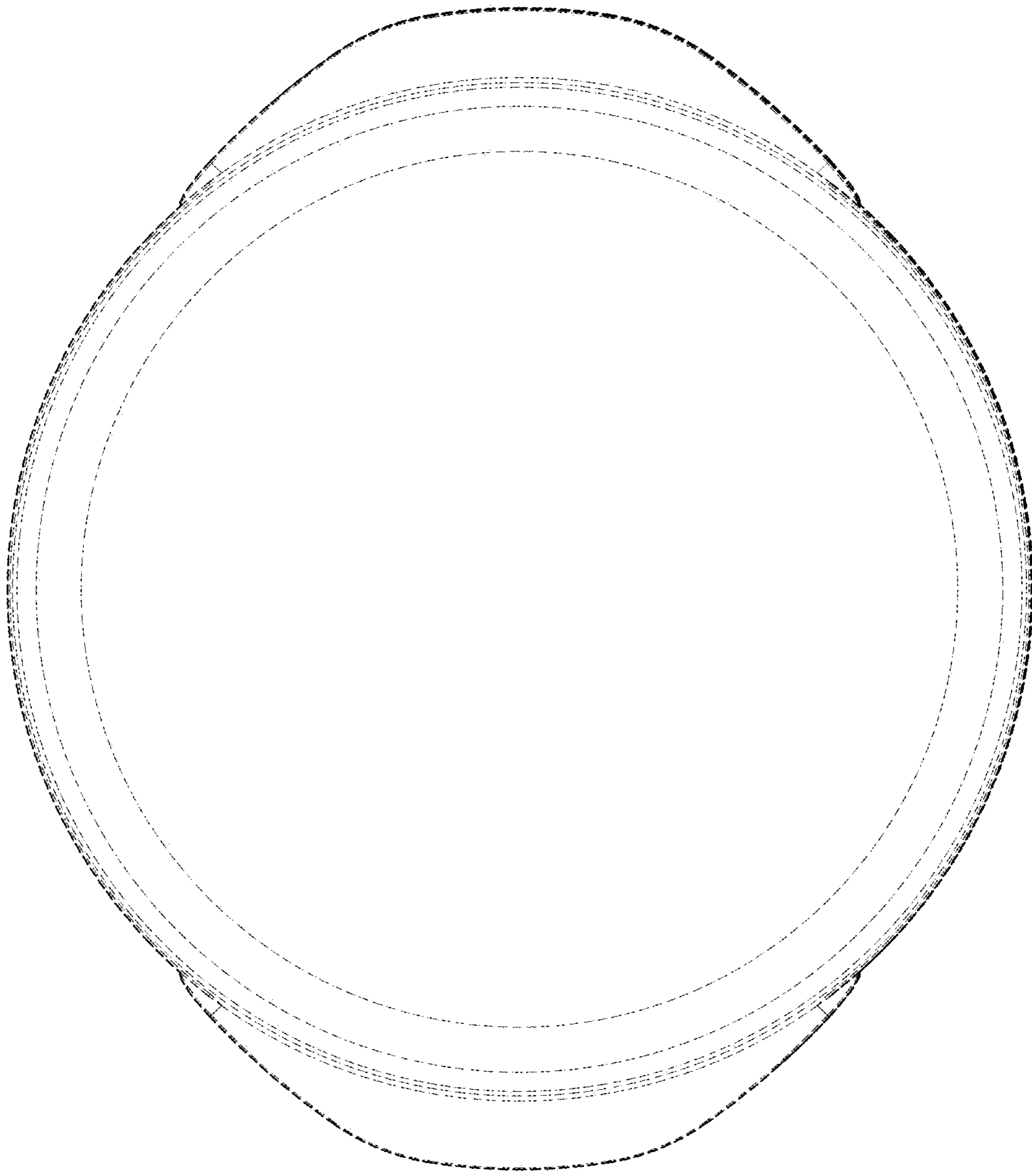


FIG. 7

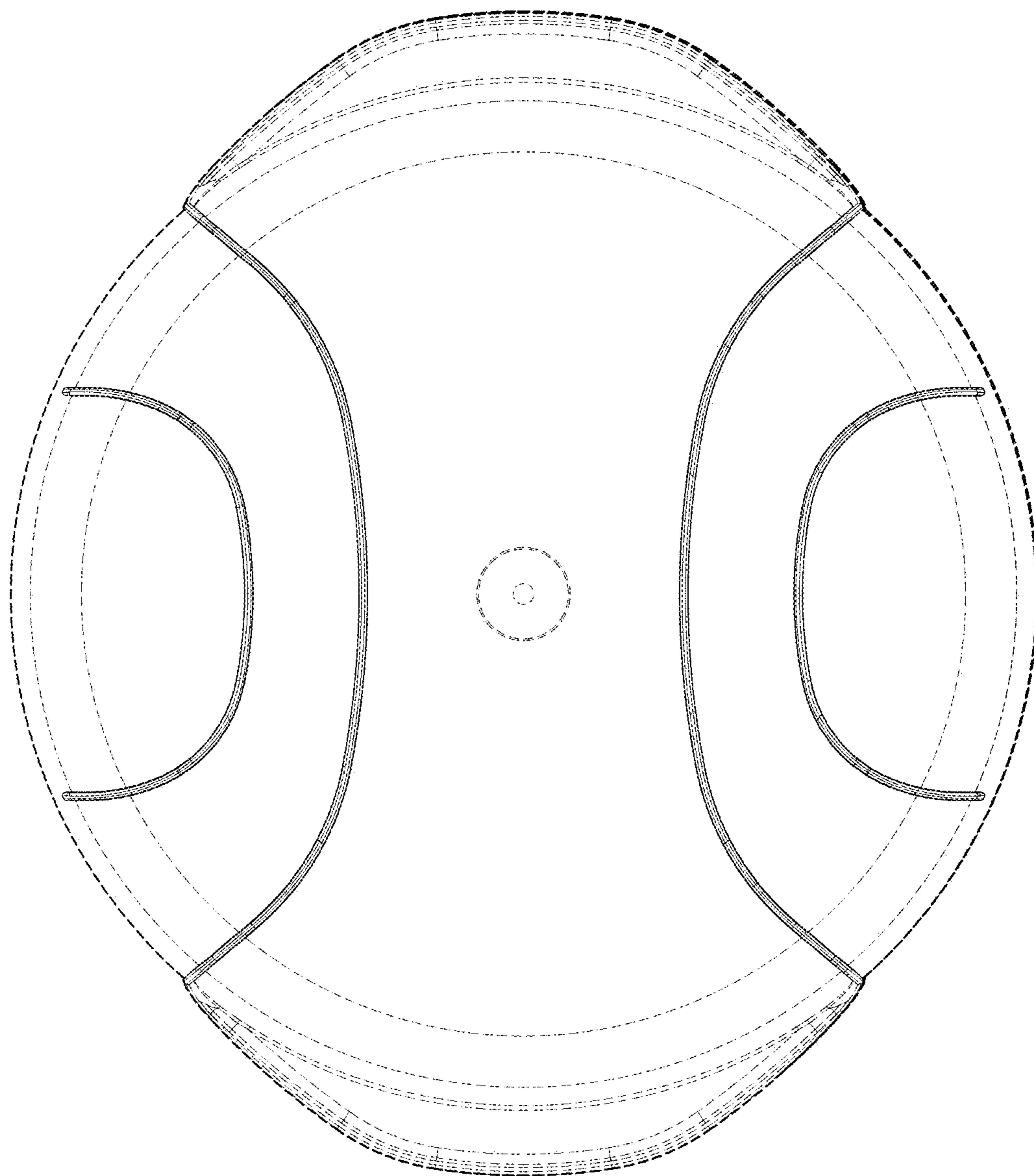


FIG. 8