



US00D878143S

(12) **United States Design Patent**
Ding

(10) **Patent No.:** **US D878,143 S**

(45) **Date of Patent:** **** Mar. 17, 2020**

(54) **ELECTRIC COOKING POT**

(71) Applicant: **Barcco USA Inc**, Ontario, CA (US)

(72) Inventor: **Yaowu Ding**, Nanjing (CN)

(**) Term: **15 Years**

(21) Appl. No.: **29/632,753**

(22) Filed: **Jan. 9, 2018**

(51) **LOC (12) Cl.** **07-02**

(52) **U.S. Cl.**

USPC **D7/358**

(58) **Field of Classification Search**

USPC D7/323, 337, 339, 340, 341, 352, 354,
D7/35, 5, 356, 357, 358, 359, 360, 361,
D7/362, 363, 364, 365, 366, 367, 393,
D7/402, 403, 407, 408, 409, 410, 411,
D7/601, 605

CPC A21B 1/06; A21B 1/50; A21B 1/52; A47J
37/04; A47J 37/06; A47J 37/015; A47J
37/067; A47J 37/0611; A47J 37/0629;
A47J 37/0676; A47J 37/108; F24C 7/06;
F24C 7/083; F24C 15/02; F24C 15/66;
H05B 3/20; H05B 3/40

See application file for complete search history.

(56) **References Cited**

U.S. PATENT DOCUMENTS

6,199,473 B1 * 3/2001 Dotan A47J 37/04
99/332
D503,584 S * 4/2005 White A47J 37/0623
D7/355
D577,247 S * 9/2008 Barnes D7/354
D592,902 S * 5/2009 Currie D7/355
D616,697 S * 6/2010 Muller D7/354
D667,256 S * 9/2012 Krapfl D7/354
D674,650 S * 1/2013 Day D7/354

D753,431 S * 4/2016 Garman D7/352
D761,613 S * 7/2016 Moon D7/354
D764,856 S * 8/2016 Sandberg D7/354
D801,105 S * 10/2017 Sandberg D7/354
D809,852 S * 2/2018 Chang D7/360
D832,024 S * 10/2018 Wessels D7/354
D848,202 S * 5/2019 Carey D7/360
2011/0095015 A1 * 4/2011 Kao A47J 27/08
219/433
2016/0014849 A1 * 1/2016 Hegedis H05B 6/1263
219/627
2018/0000276 A1 * 1/2018 Choi A47J 27/21158
2018/0333004 A1 * 11/2018 De' Longhi A23L 5/10

FOREIGN PATENT DOCUMENTS

JP 10201615 A * 8/1998

* cited by examiner

Primary Examiner — Barbara Fox

Assistant Examiner — Messina L Smith

(74) *Attorney, Agent, or Firm* — Tzu Lung Yeung

(57) **CLAIM**

The ornamental design for an electric cooking pot, as shown and described.

DESCRIPTION

FIG. 1 is a perspective view of an electric cooking pot showing my new design;

FIG. 2 is a front view thereof;

FIG. 3 is a rear view thereof;

FIG. 4 is a left side view thereof;

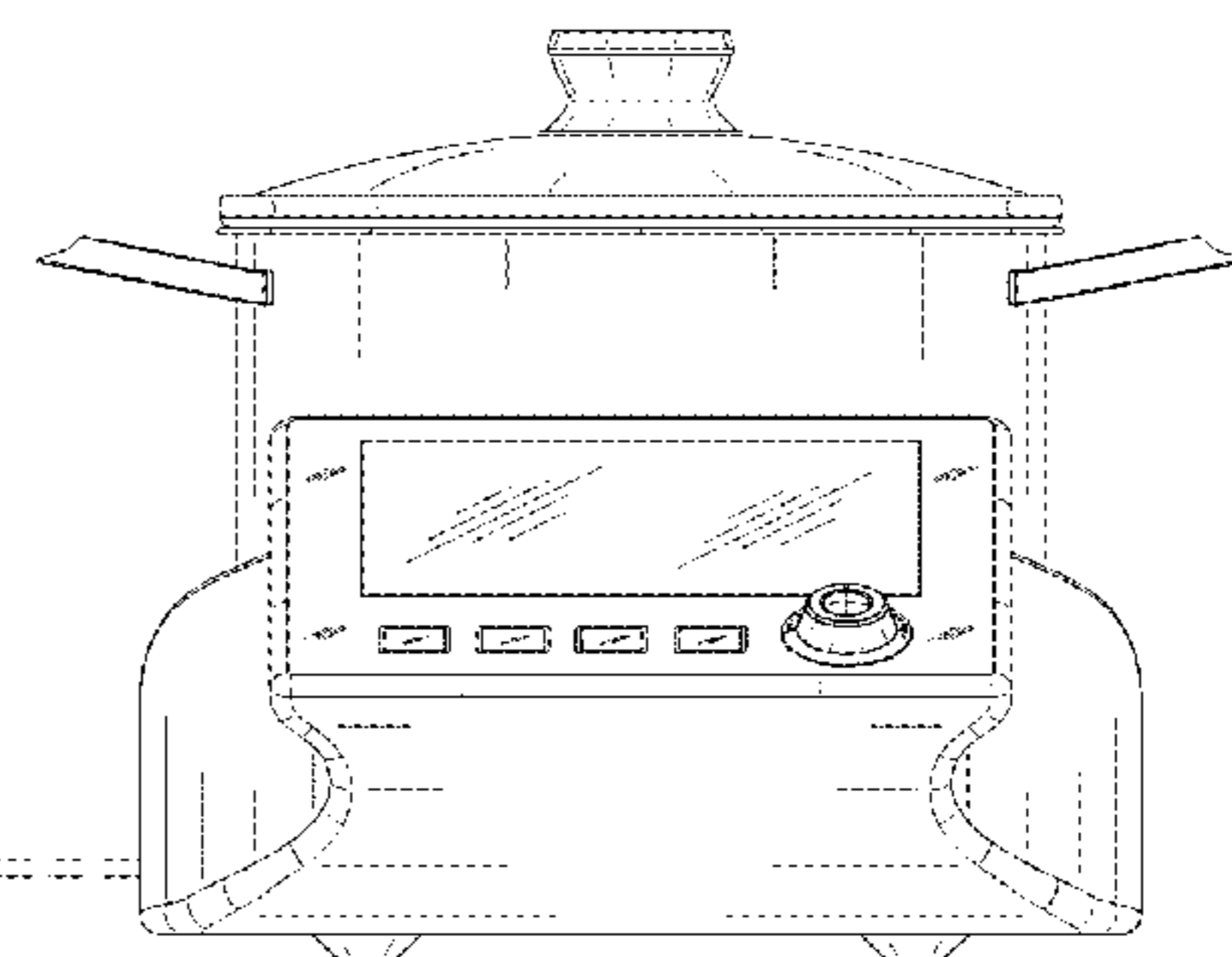
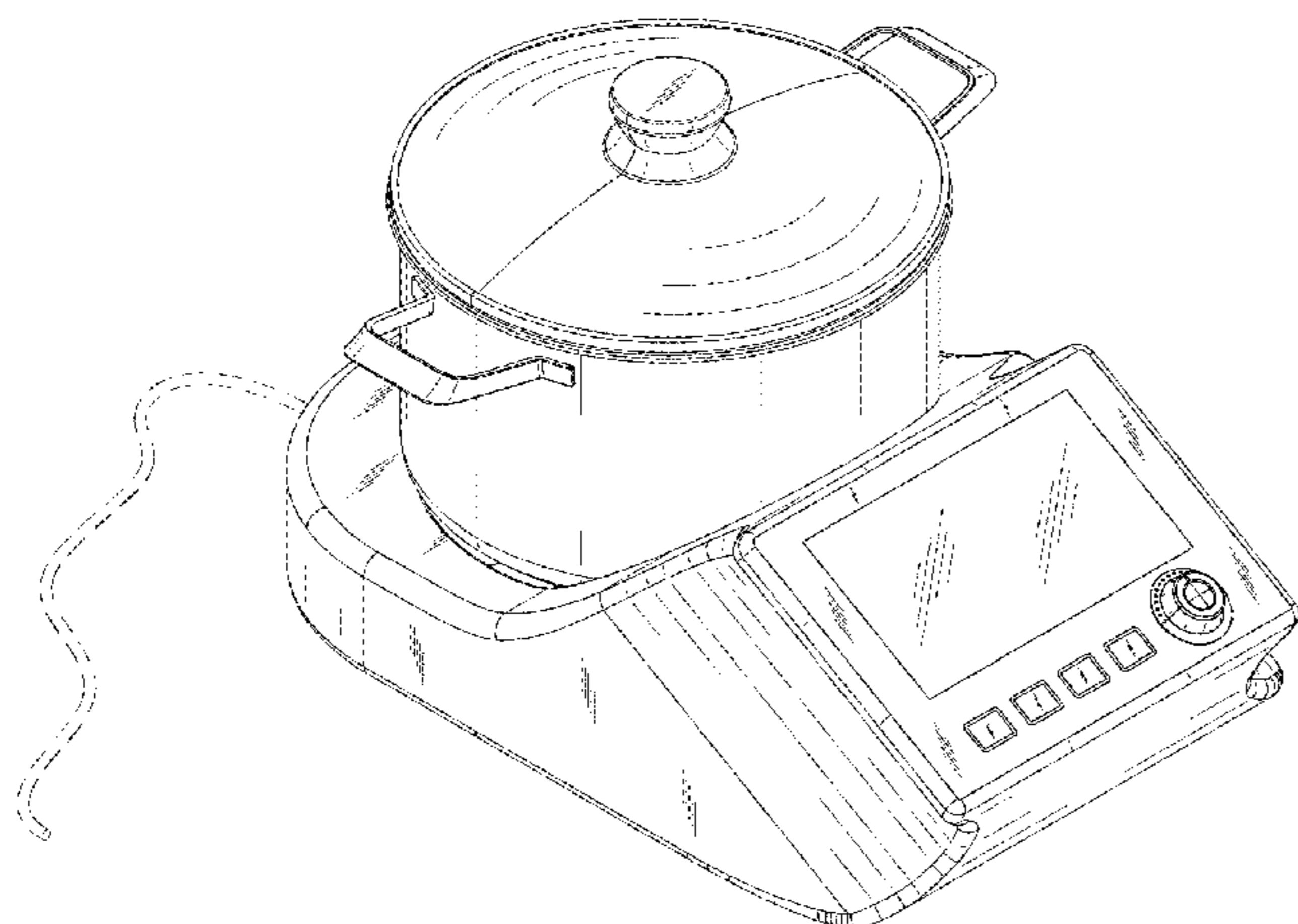
FIG. 5 is a right side view thereof;

FIG. 6 is a top view thereof; and,

FIG. 7 is a bottom view thereof.

The broken lines shown in the drawings depict portions of the electric cooking pot that forms no part of the claim.

1 Claim, 7 Drawing Sheets



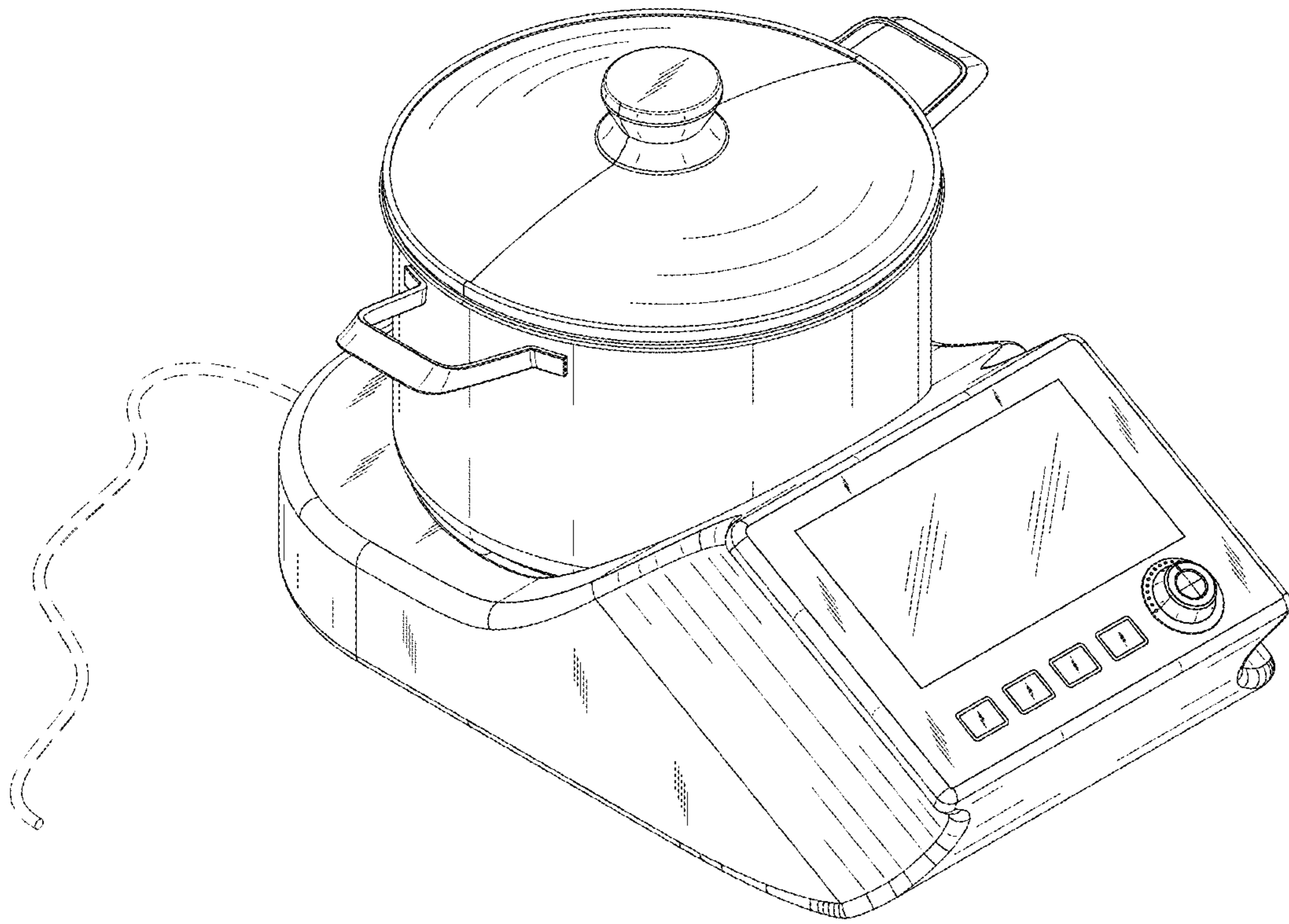


FIG. 1

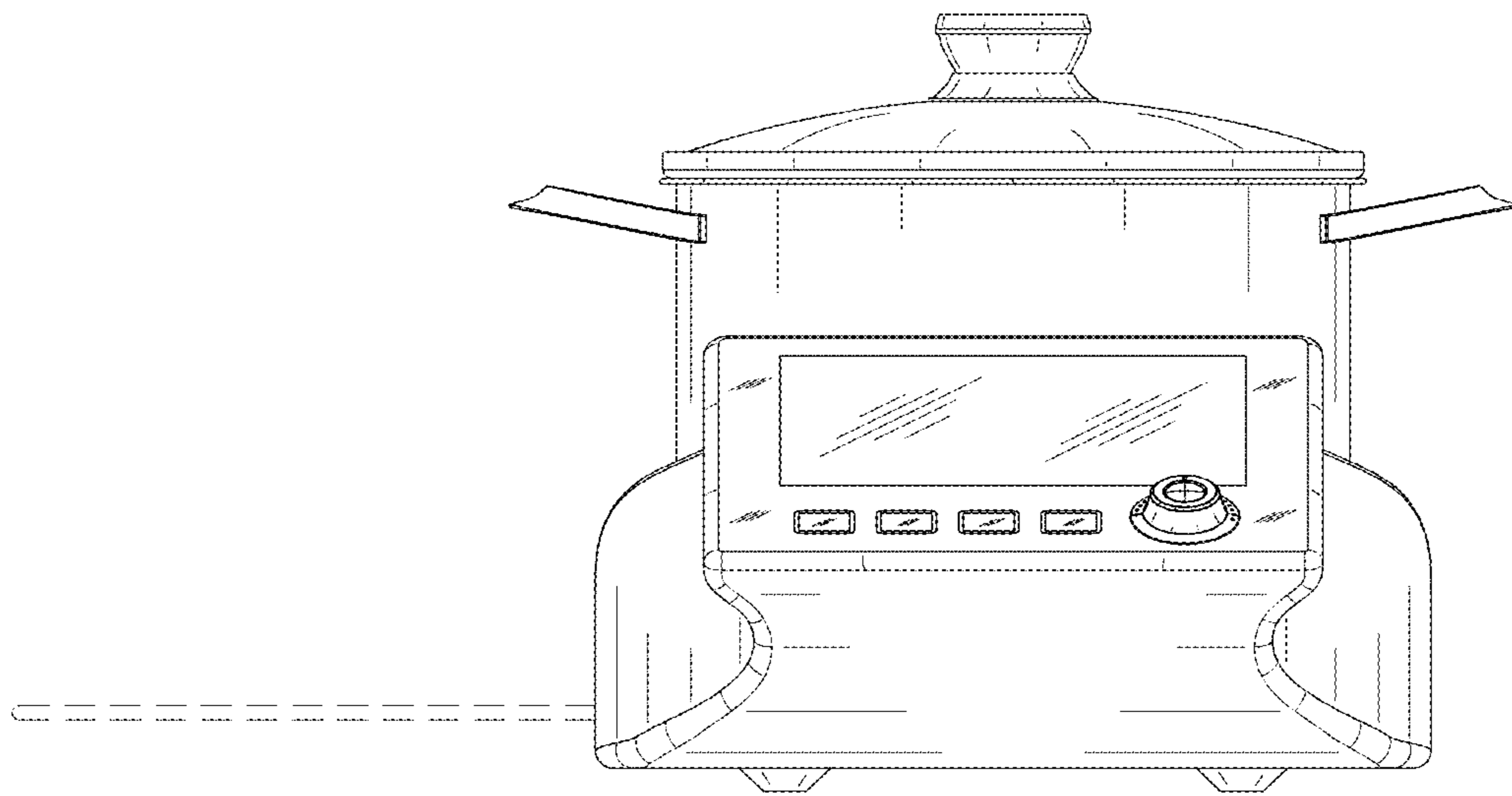


FIG. 2

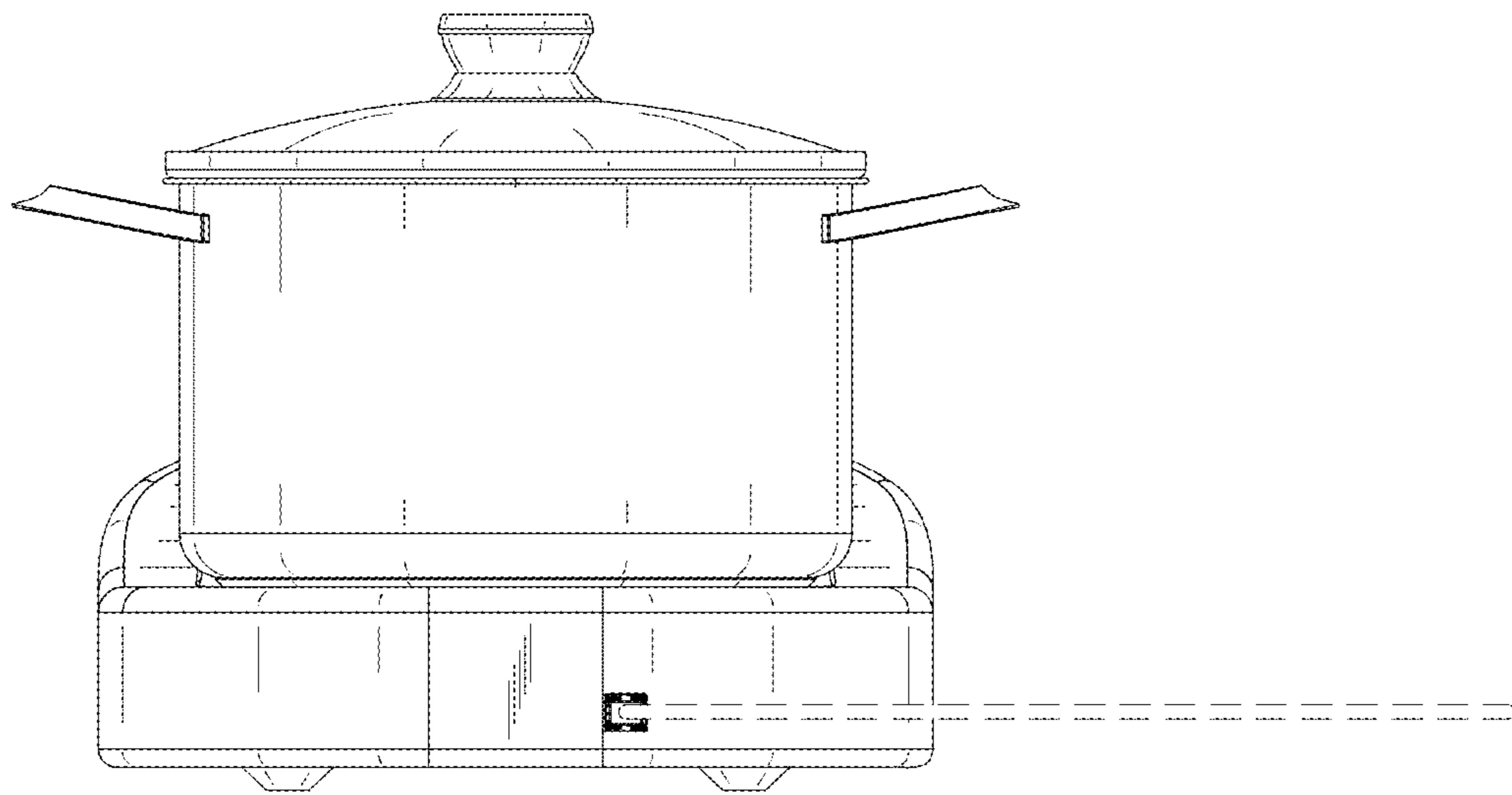


FIG. 3

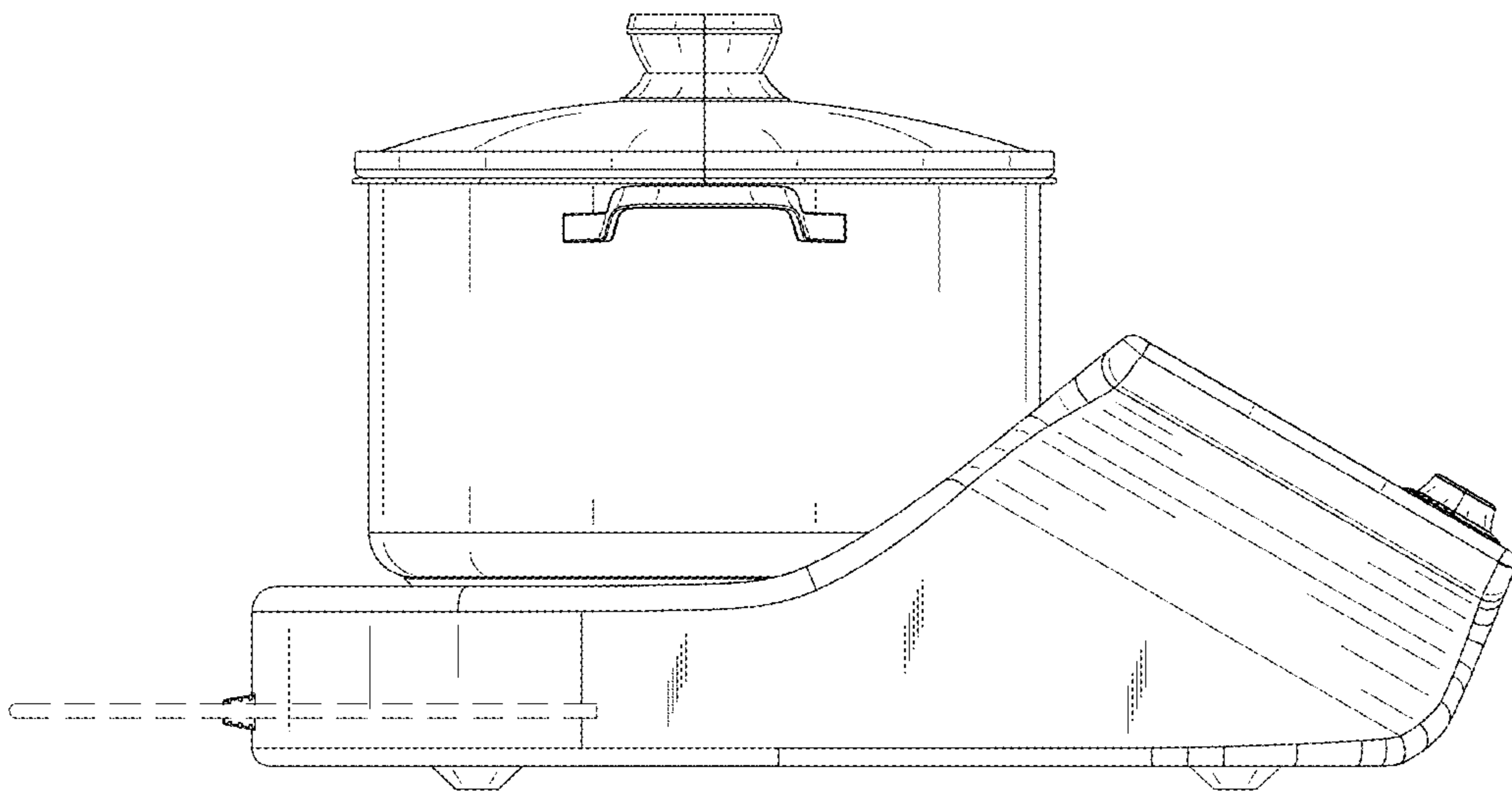


FIG. 4

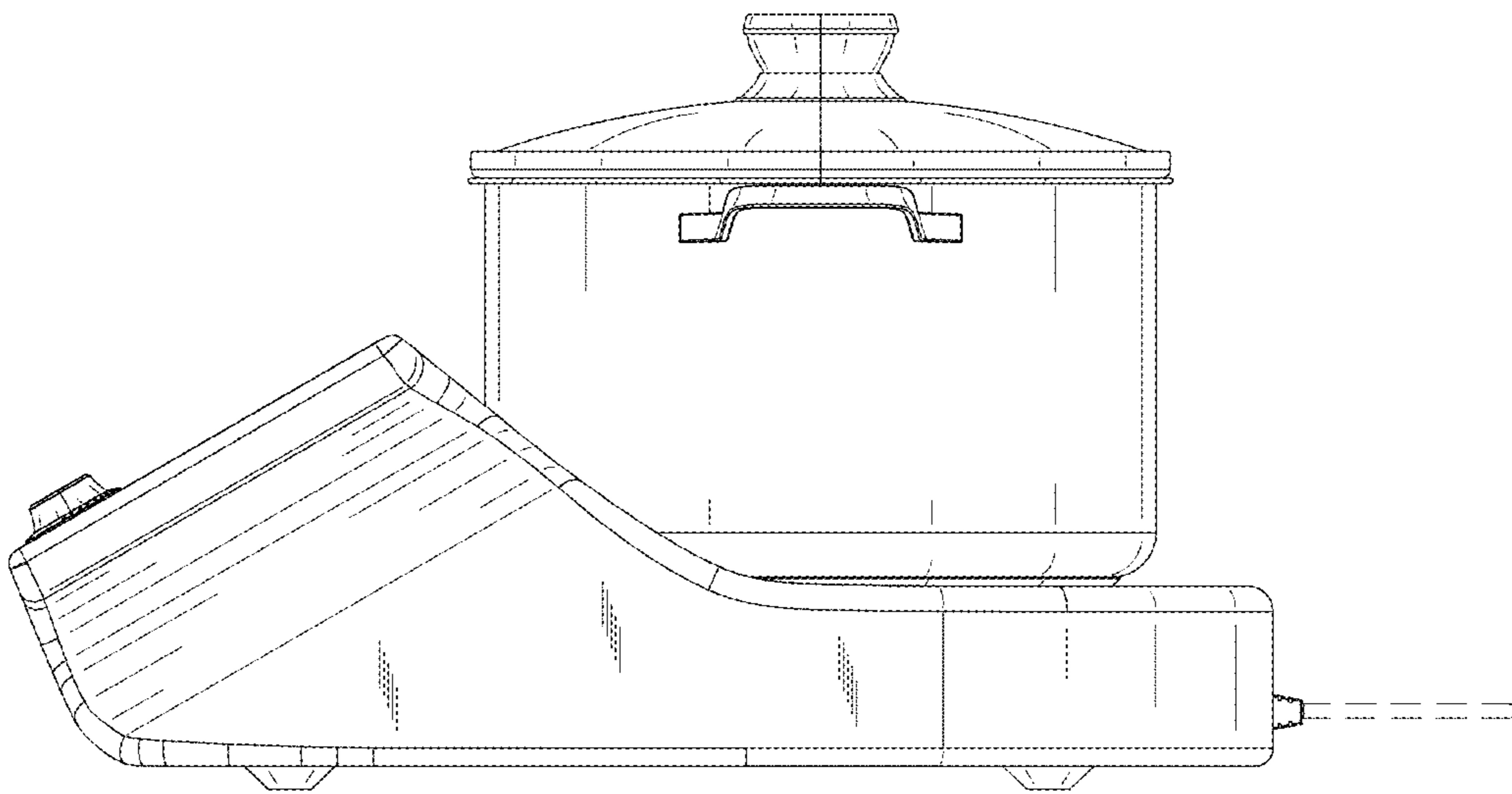


FIG. 5

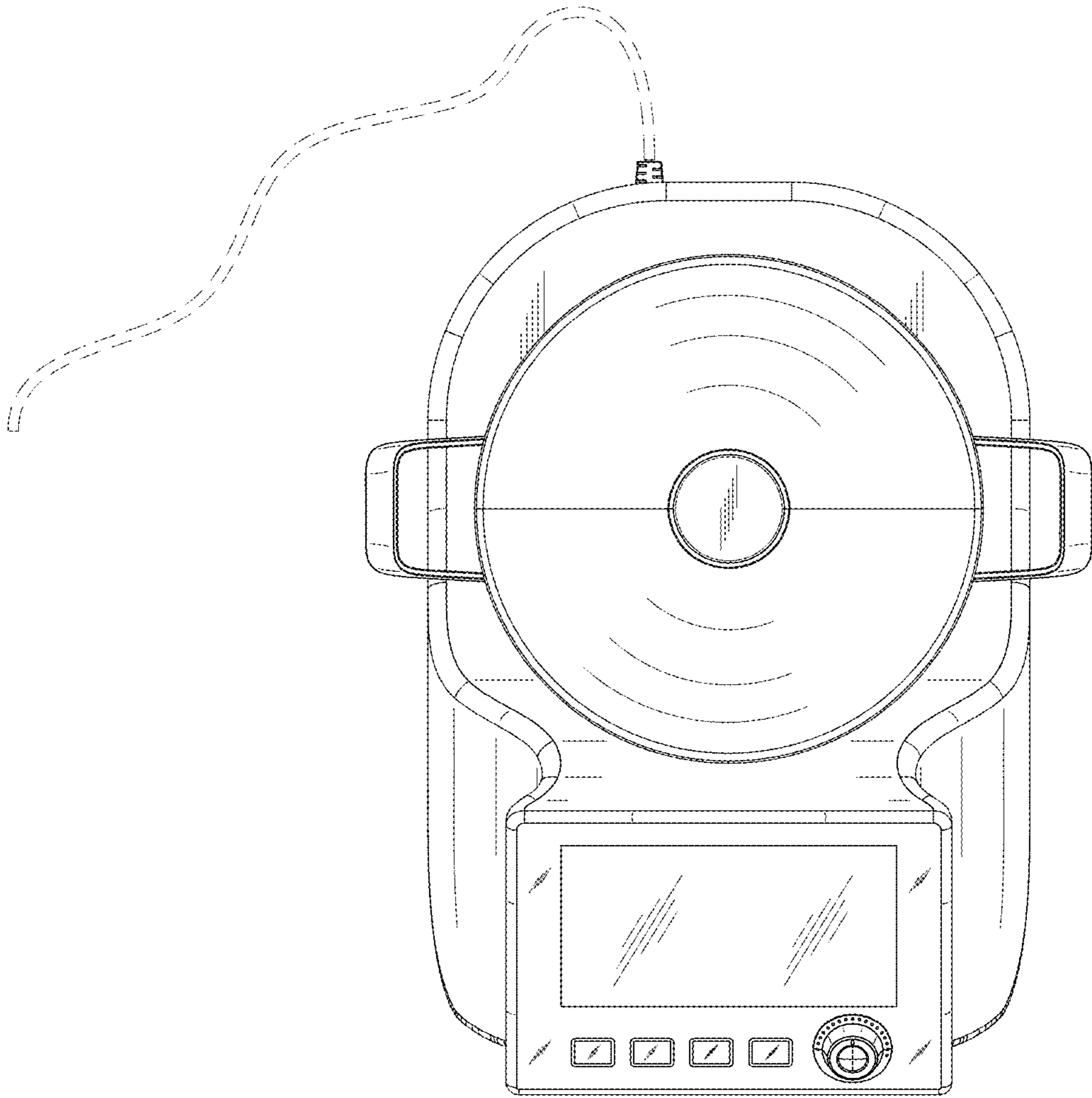


FIG. 6

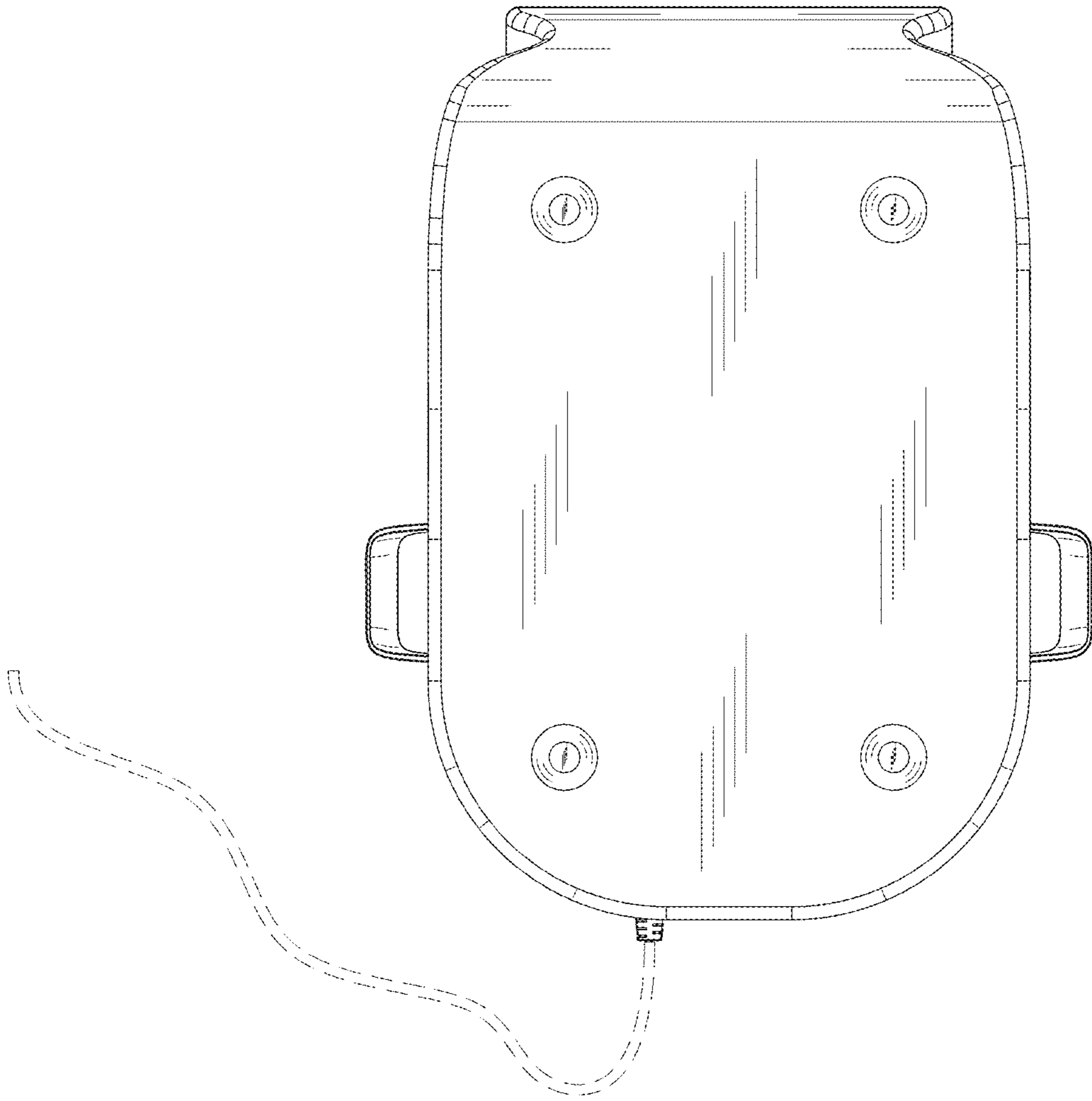


FIG. 7