



US00D878139S

(12) **United States Design Patent**  
**Brook et al.**

(10) **Patent No.:** **US D878,139 S**

(45) **Date of Patent:** **\*\* Mar. 17, 2020**

(54) **SLOW COOKER**

(71) Applicant: **Sunbeam Products, Inc.**, Boca Raton, FL (US)

(72) Inventors: **Nick Brook**, Sale (GB); **Mark Skinner**, Salford (GB); **Elliott Copier**, Grand Rapids, MI (US)

(73) Assignee: **Sunbeam Products, Inc.**, Boca Raton, FL (US)

(\*\*) Term: **15 Years**

(21) Appl. No.: **29/658,730**

(22) Filed: **Aug. 2, 2018**

(51) **LOC (12) Cl.** ..... **07-02**

(52) **U.S. Cl.**  
USPC ..... **D7/354**

(58) **Field of Classification Search**  
USPC ..... D7/323, 354-361  
CPC .. A47J 27/00; A47J 27/04; A47J 27/05; A47J 27/08; A47J 27/09; A47J 27/092; A47J 36/025; A47J 36/06; A47J 36/08; A47J 36/10; A47J 36/12; A47J 37/12; A47J 37/1204; A47J 37/1209; H05B 6/02; H05B 6/06; H05B 6/12  
See application file for complete search history.

(56) **References Cited**

**U.S. PATENT DOCUMENTS**

D416,434 S \* 11/1999 Pollnow ..... D7/360  
D425,360 S \* 5/2000 Dobson ..... D7/360

D556,504 S \* 12/2007 Averty ..... D7/360  
D568,676 S \* 5/2008 Steiner ..... D7/354  
D635,818 S \* 4/2011 Tse ..... D7/354  
D642,422 S \* 8/2011 Averty ..... D7/354  
D644,476 S \* 9/2011 Gregory ..... D7/354  
D657,993 S \* 4/2012 Pantaleo ..... D7/354  
D697,363 S \* 1/2014 Tu ..... D7/354  
D698,595 S \* 2/2014 Kunz ..... D7/354  
D701,416 S \* 3/2014 Day ..... D7/354  
D832,024 S \* 10/2018 Wessels ..... D7/354  
D846,333 S \* 4/2019 Gill ..... D7/357

\* cited by examiner

*Primary Examiner* — Ricky Pham

(74) *Attorney, Agent, or Firm* — Husch Blackwell LLP

(57) **CLAIM**

The ornamental design for the of slow cooker, as shown and described.

**DESCRIPTION**

FIG. 1 depicts a front perspective view of a slow cooker of the present disclosure;  
FIG. 2 depicts a front side view of the slow cooker of FIG. 1;  
FIG. 3 depicts a rear side view of the slow cooker of FIG. 1;  
FIG. 4 depicts a left side view of the slow cooker of FIG. 1;  
FIG. 5 depicts a right side view of the slow cooker of FIG. 1;  
FIG. 6 depicts a top view of the slow cooker of FIG. 1; and  
FIG. 7 depicts a bottom view of the slow cooker of FIG. 1.  
The broken lines in the drawings depict portions of the slow cooker that form no part of the claimed design.

**1 Claim, 5 Drawing Sheets**

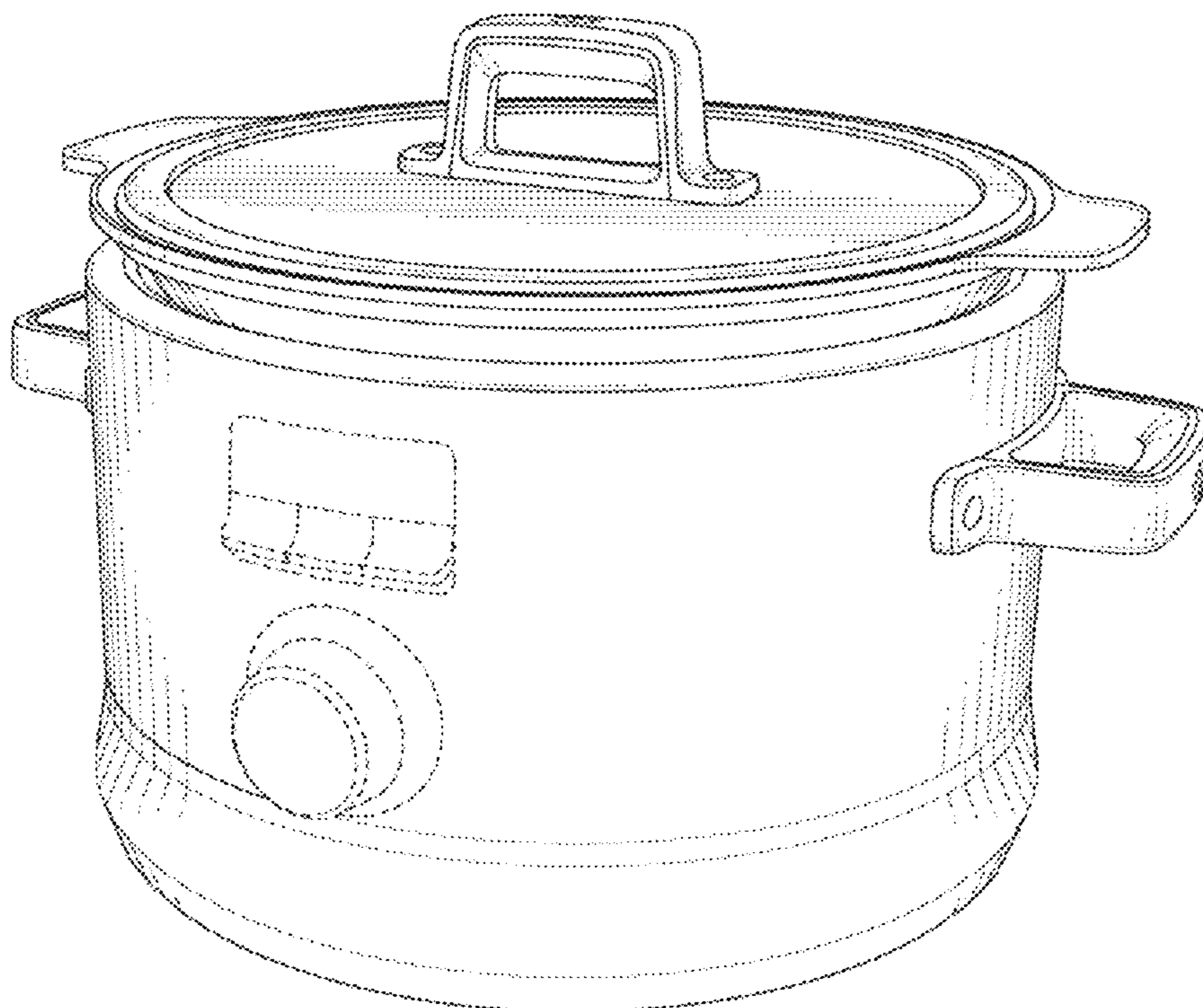


FIG. 1

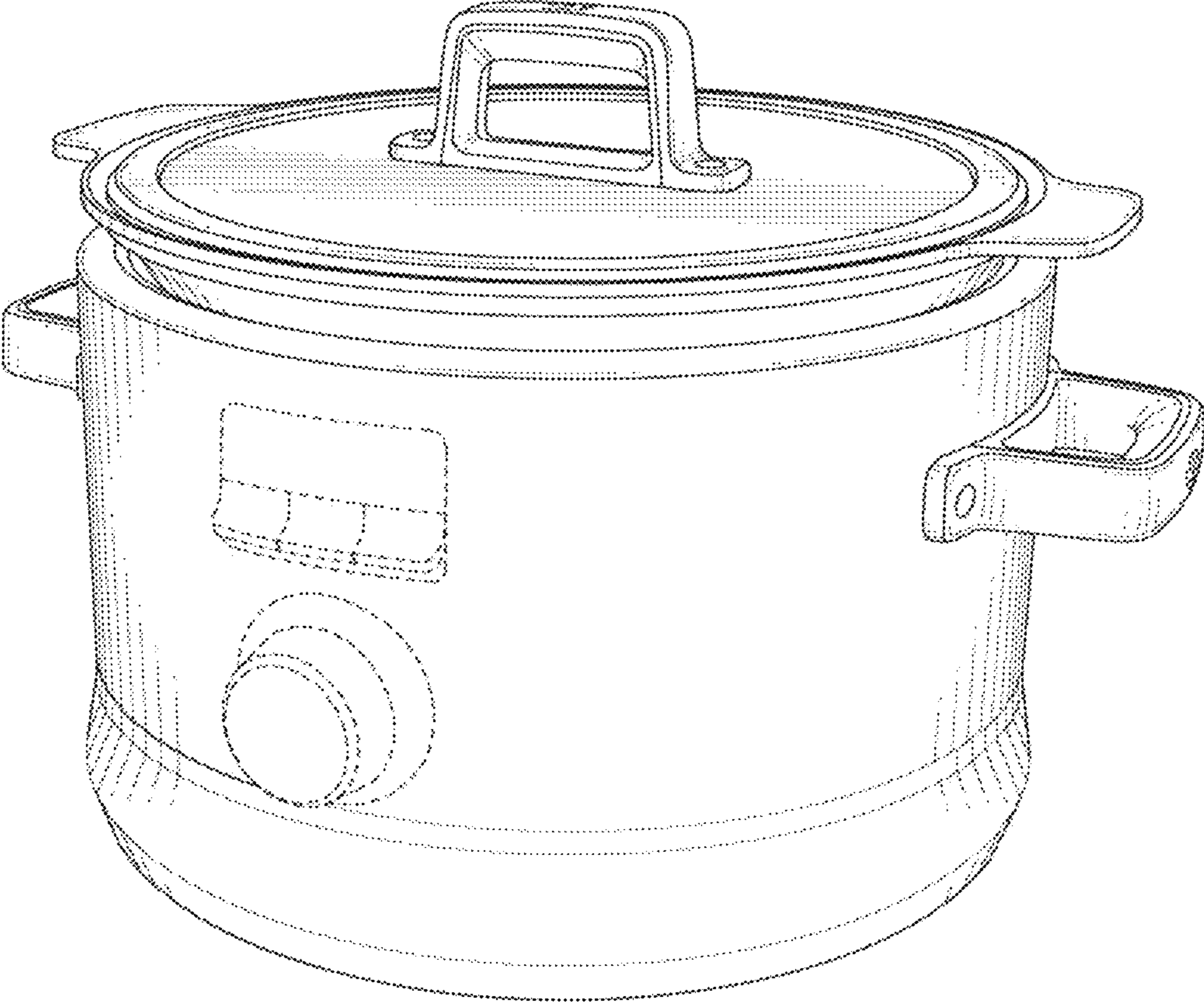


FIG. 2

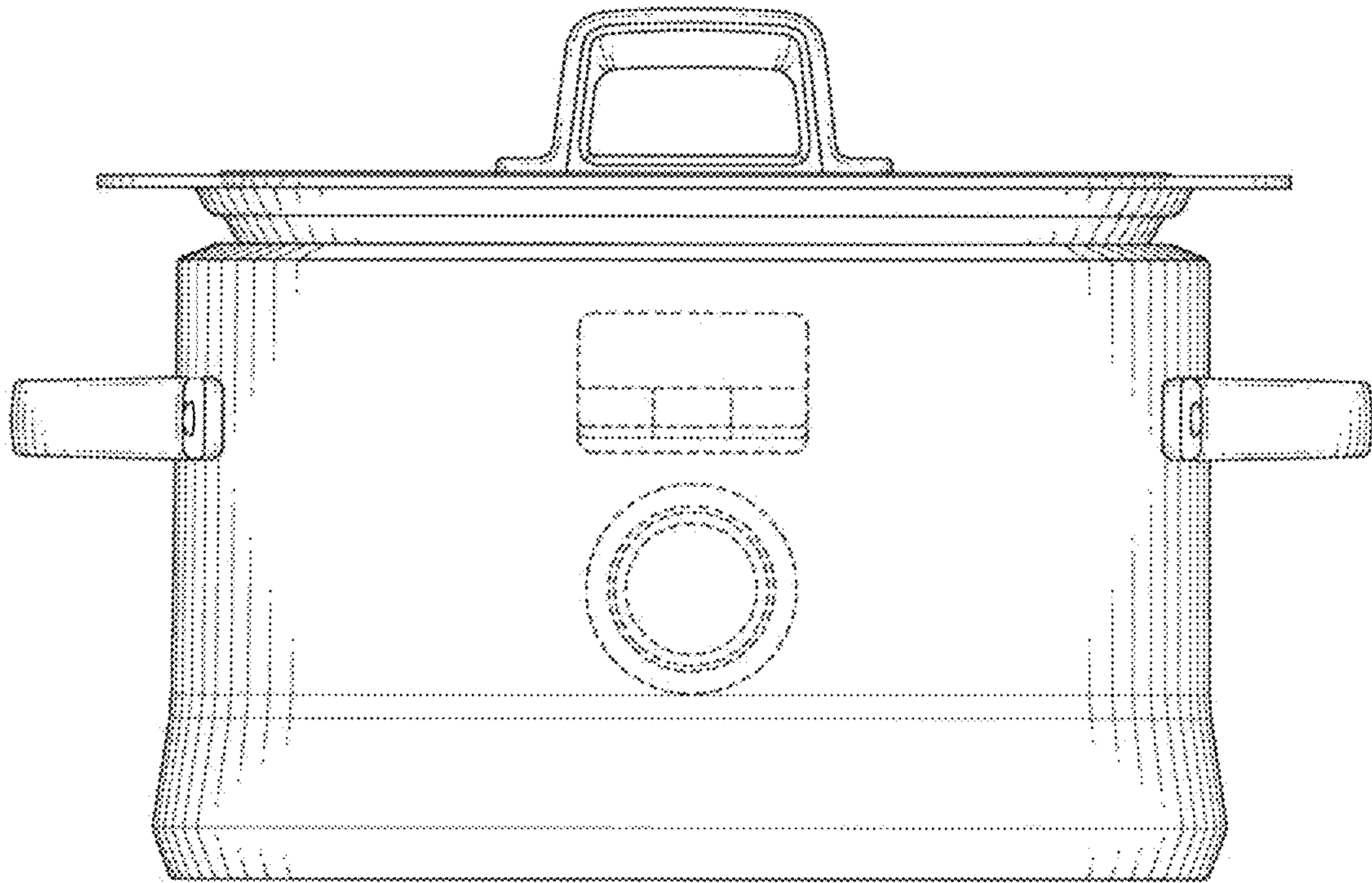


FIG. 3

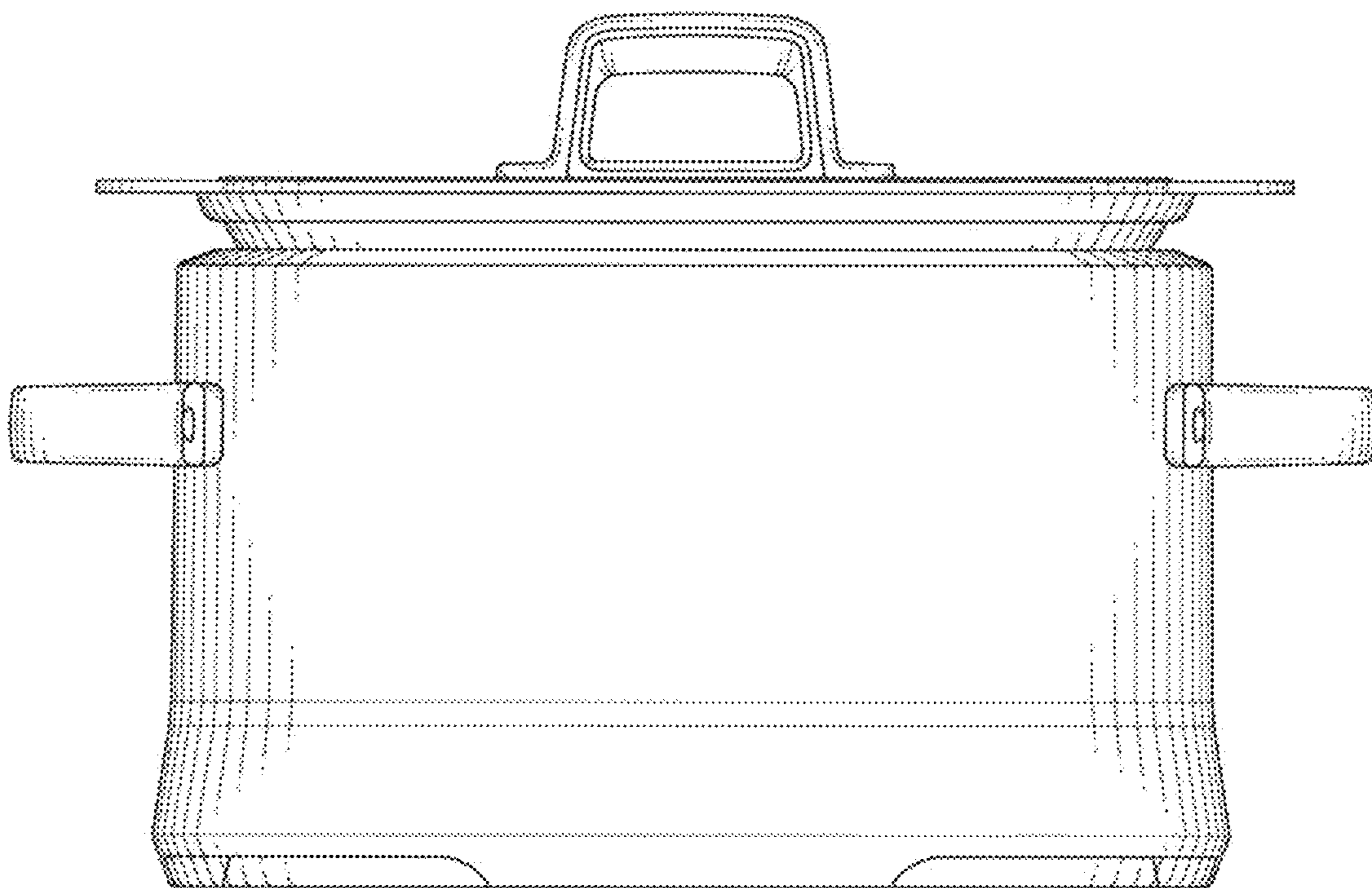


FIG. 4

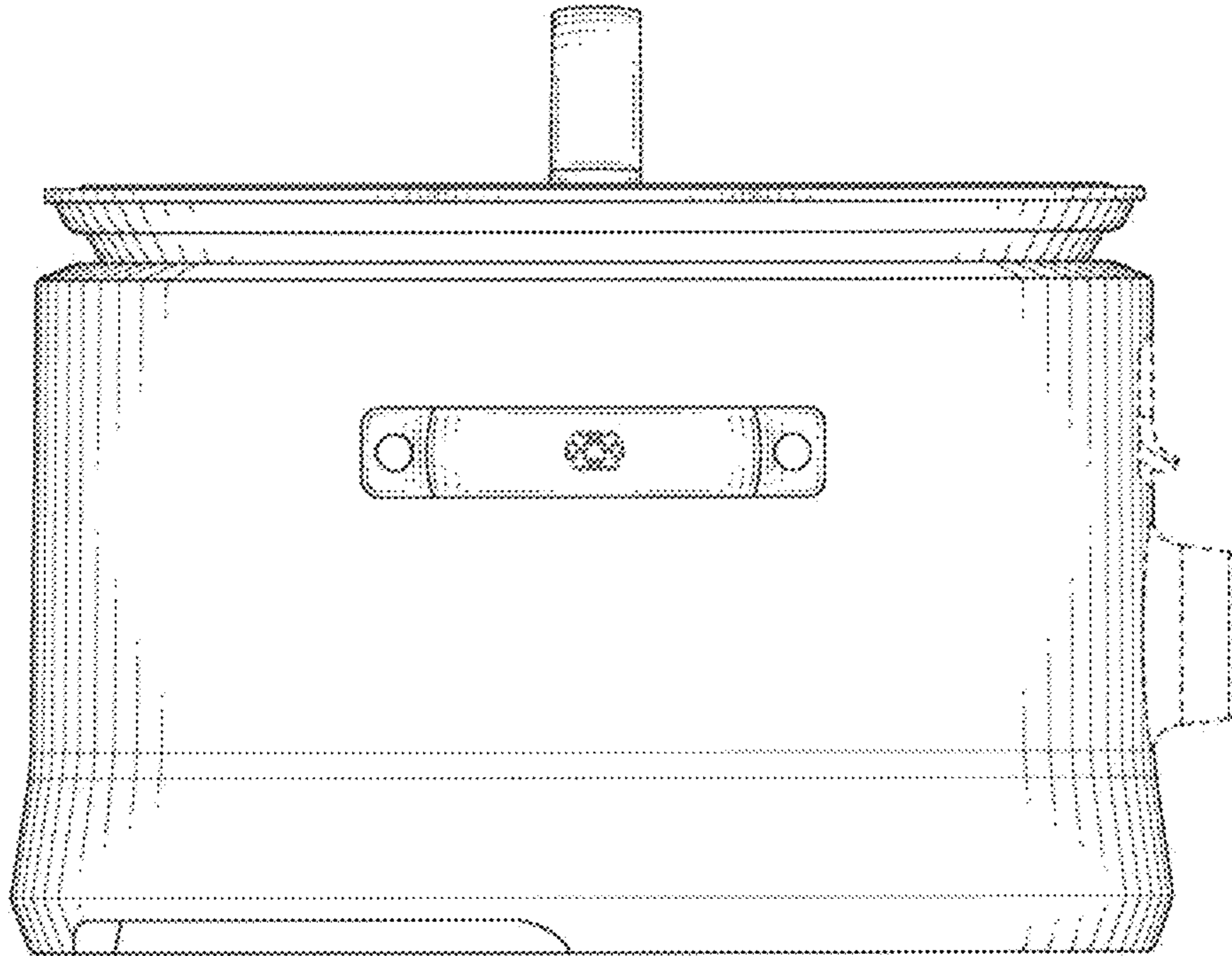


FIG. 5

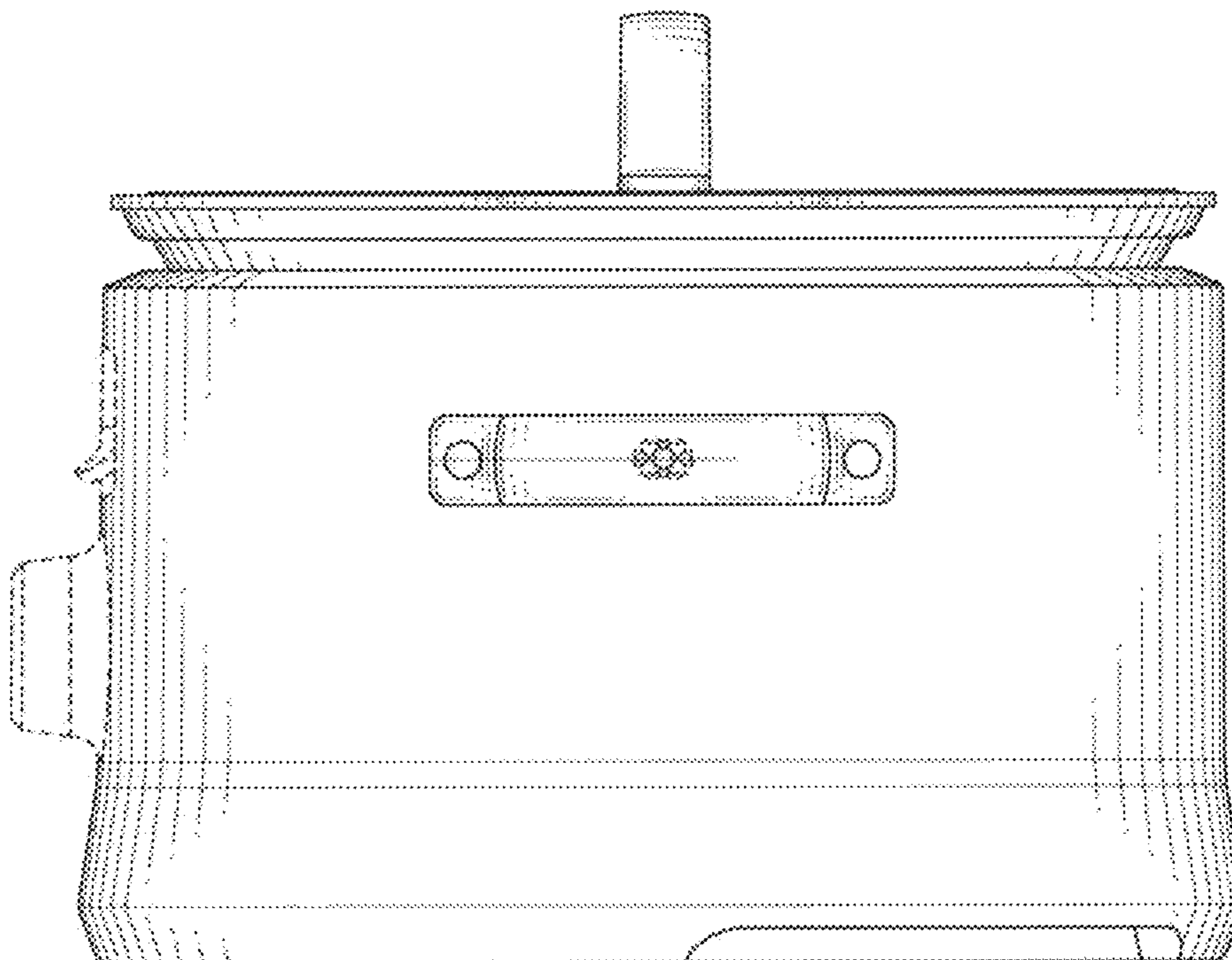


FIG. 6

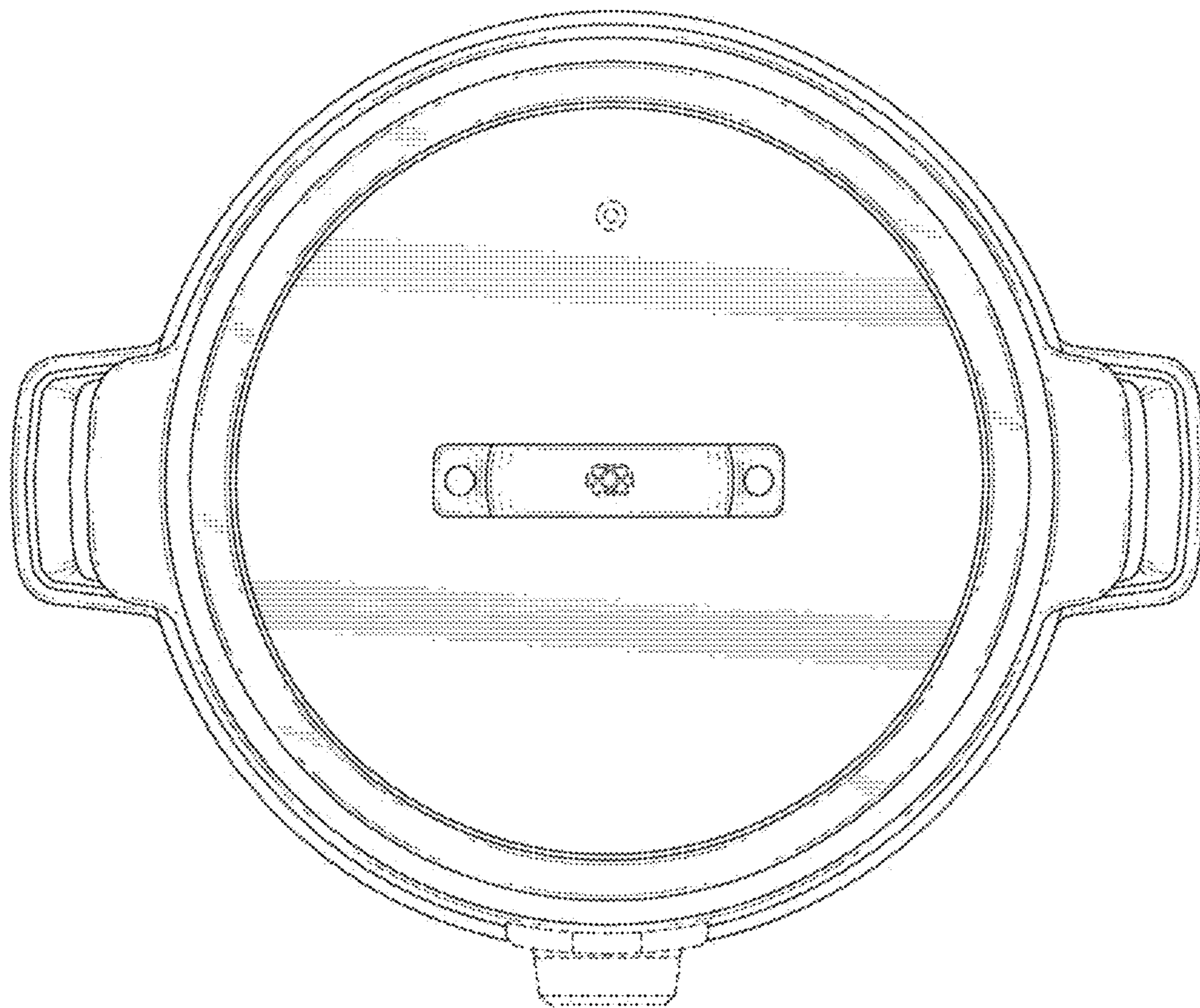


FIG. 7

