



US00D878138S

(12) **United States Design Patent**
Van Ratingen

(10) **Patent No.:** **US D878,138 S**
(45) **Date of Patent:** **** Mar. 17, 2020**

- (54) **AIR FRYER**
- (71) Applicant: **VAN RATINGEN, NV**, Hasselt (BE)
- (72) Inventor: **Cindy Van Ratingen**, Hasselt (BE)
- (73) Assignee: **VAN RATINGEN NV** (BE)
- (**) Term: **15 Years**
- (21) Appl. No.: **29/637,378**
- (22) Filed: **Feb. 16, 2018**

D719,397 S *	12/2014	Krooshof	D7/354
D793,797 S *	8/2017	Krooshof	D7/354
D803,615 S *	11/2017	Zhang	D7/354
D804,236 S *	12/2017	Zhang	D7/354
D816,390 S *	5/2018	Zhang	D7/354
D817,698 S *	5/2018	Liu	D7/361
D820,031 S *	6/2018	Zhang	D7/354
D833,202 S *	11/2018	Yang	D7/358
D836,381 S *	12/2018	Moon	D7/354
D836,383 S *	12/2018	Dutruel	D7/354
D839,040 S *	1/2019	Seymour	D7/354
D841,388 S *	2/2019	Zhang	D7/354
D848,199 S *	5/2019	Kowalewski	D7/354
D848,200 S *	5/2019	Kowalewski	D7/354
2014/0366746 A1 *	12/2014	Tsai	A47J 37/00 94/403

(30) **Foreign Application Priority Data**

Aug. 18, 2017 (EM) 004154615-0001
 Aug. 18, 2017 (EM) 004154615-0002

- (51) **LOC (12) Cl.** **07-02**
- (52) **U.S. Cl.**
USPC **D7/354**

- (58) **Field of Classification Search**
USPC D7/323, 337, 339, 340, 341, 352, 354,
D7/35, 5, 356, 357, 358, 359, 360, 361,
D7/362, 363, 364, 365, 366, 367, 393,
D7/402, 403, 407, 408, 409, 410, 411,
D7/601, 605

CPC A21B 1/06; A21B 1/50; A21B 1/52; A47J
37/04; A47J 37/06; A47J 37/015; A47J
37/067; A47J 37/0611; A47J 37/0629;
A47J 37/0676; A47J 37/108; F24C 7/06;
F24C 7/083; F24C 15/02; F24C 15/66;
H05B 3/20; H05B 3/40

See application file for complete search history.

(56) **References Cited**

U.S. PATENT DOCUMENTS

D347,353 S * 5/1994 Piret D7/354
 D692,718 S * 11/2013 Verbrugge D7/354

* cited by examiner

Primary Examiner — Barbara Fox

Assistant Examiner — Messina L Smith

(74) *Attorney, Agent, or Firm* — Fresh IP PLC; Aubrey Y Chen

(57) **CLAIM**

The ornamental design for an air fryer, as shown and described.

DESCRIPTION

FIG. 1 is a perspective view of an air fryer, showing the new design;

FIG. 2 is a front view thereof;

FIG. 3 is a top view thereof;

FIG. 4 is a right side view thereof;

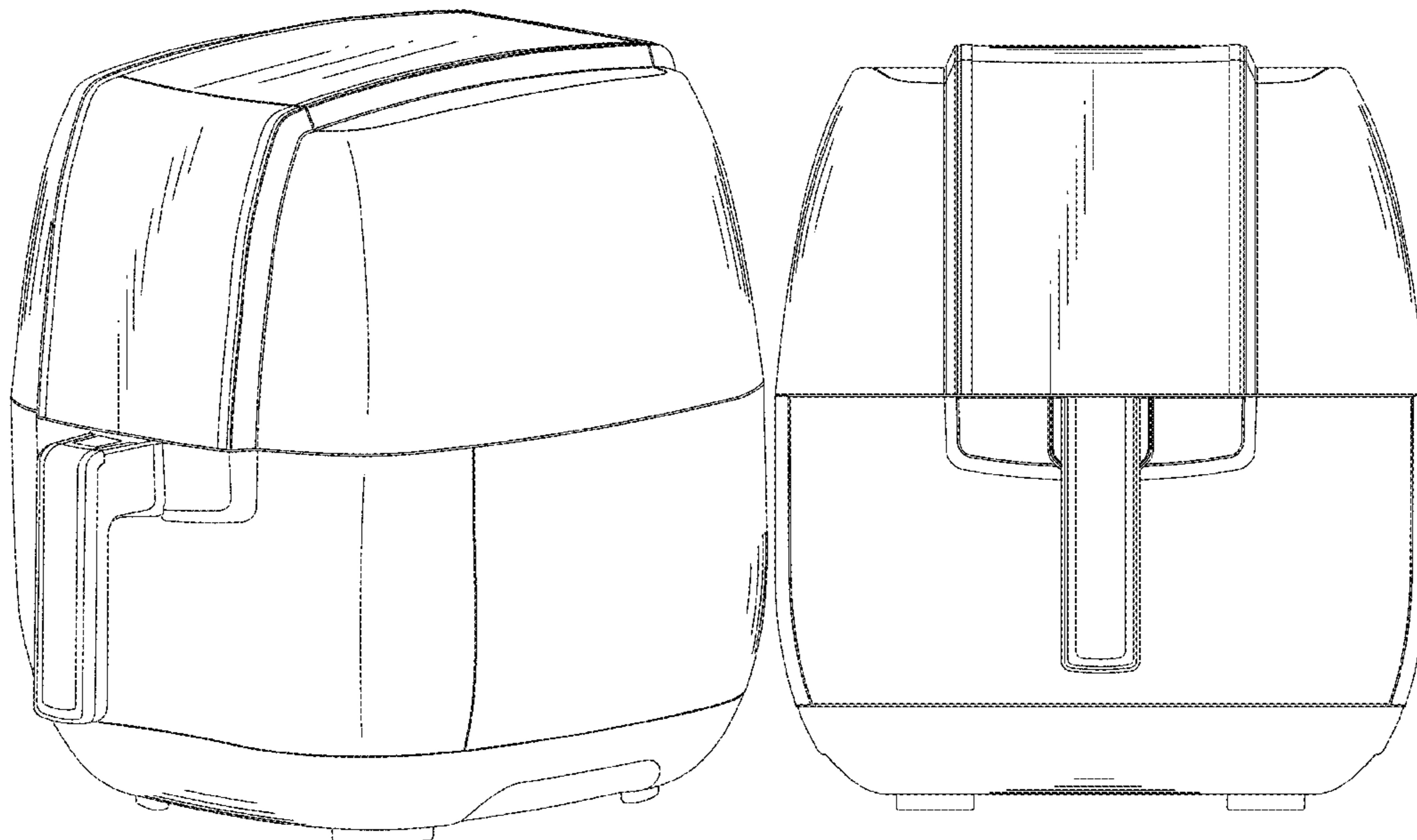
FIG. 5 is a left side view thereof;

FIG. 6 is a rear view thereof; and,

FIG. 7 is a bottom view thereof.

The broken lines in the drawings depict portions of the air fryer that form no part of the claimed design.

1 Claim, 7 Drawing Sheets



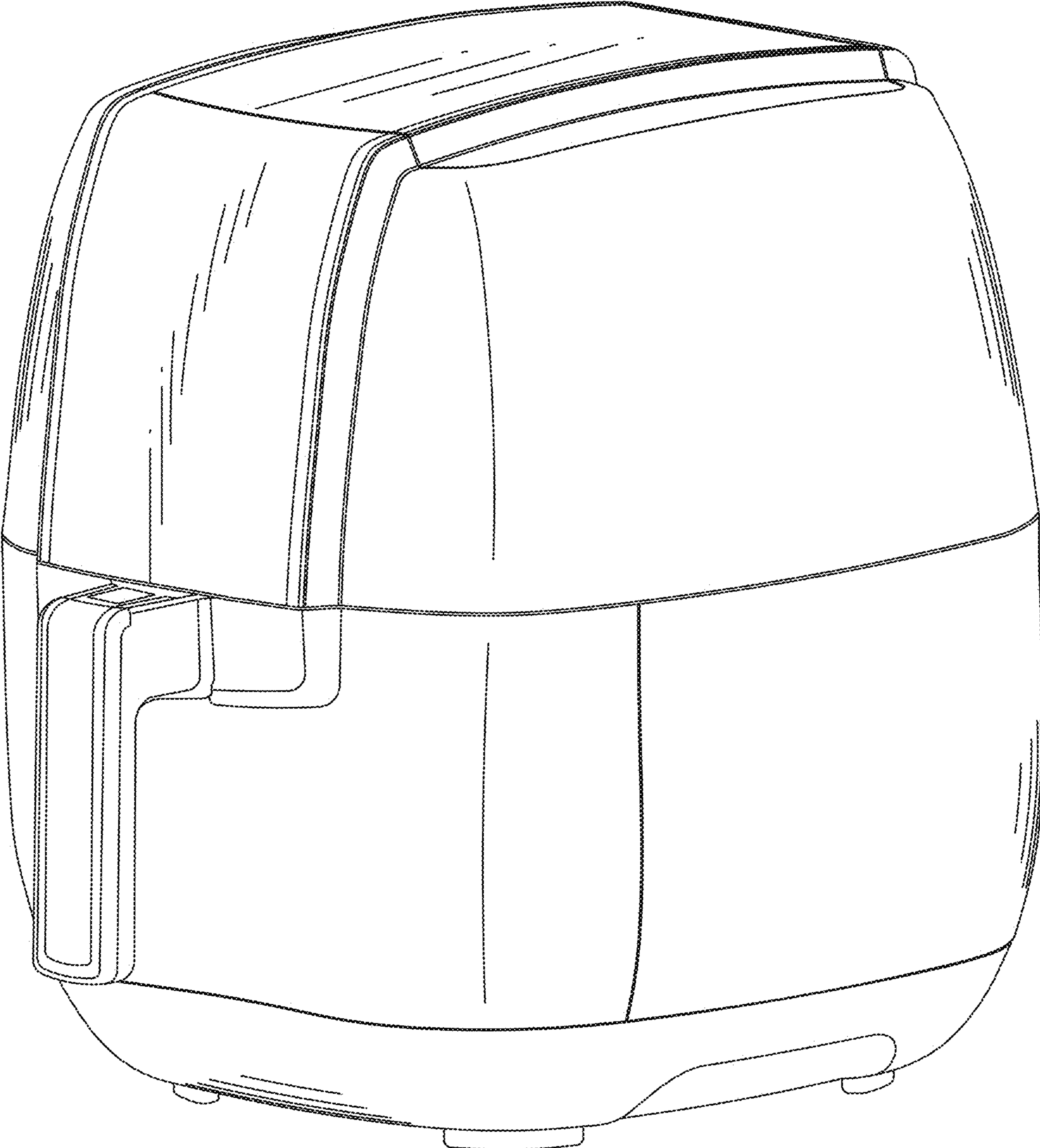


FIG. 1

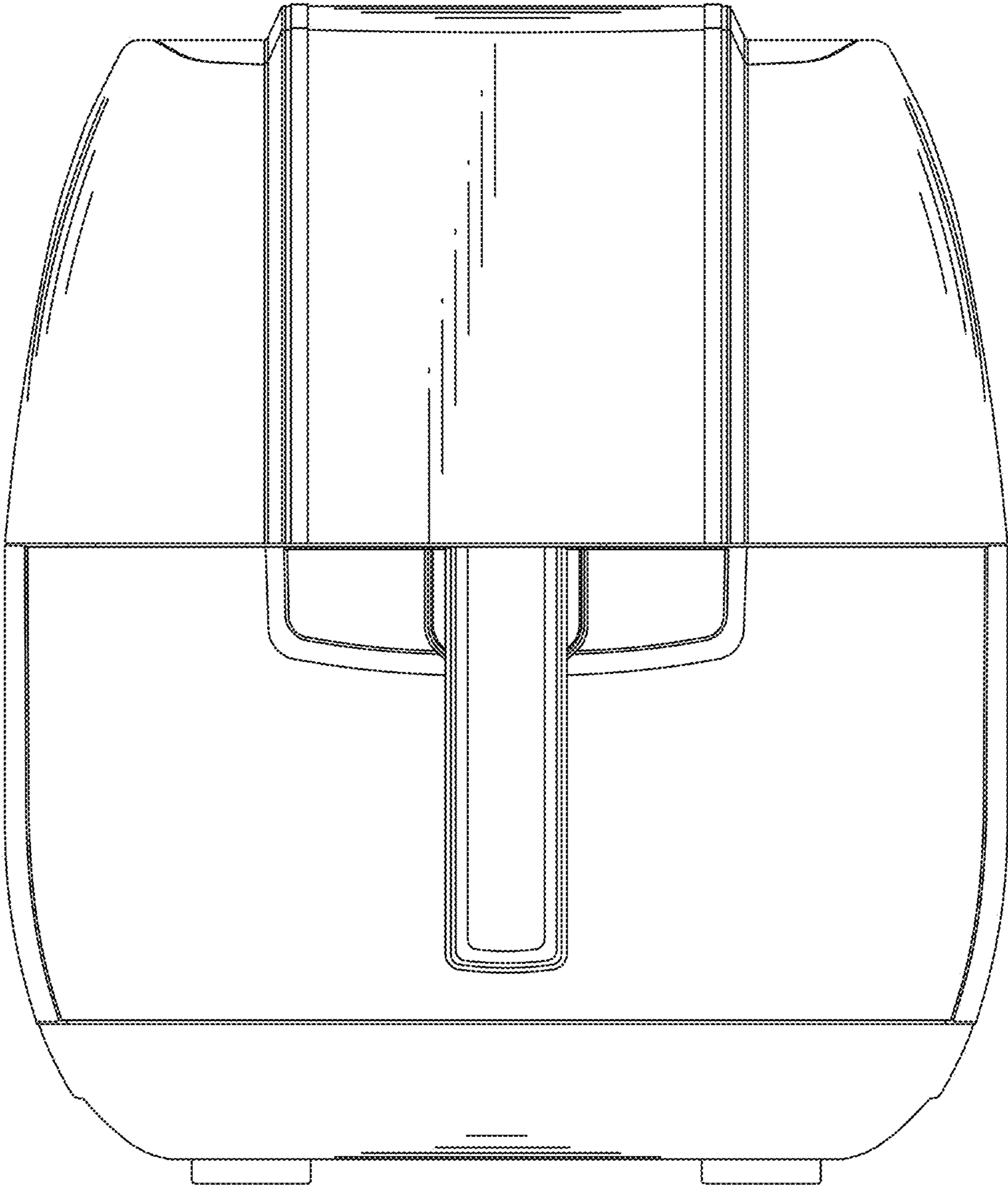


FIG. 2

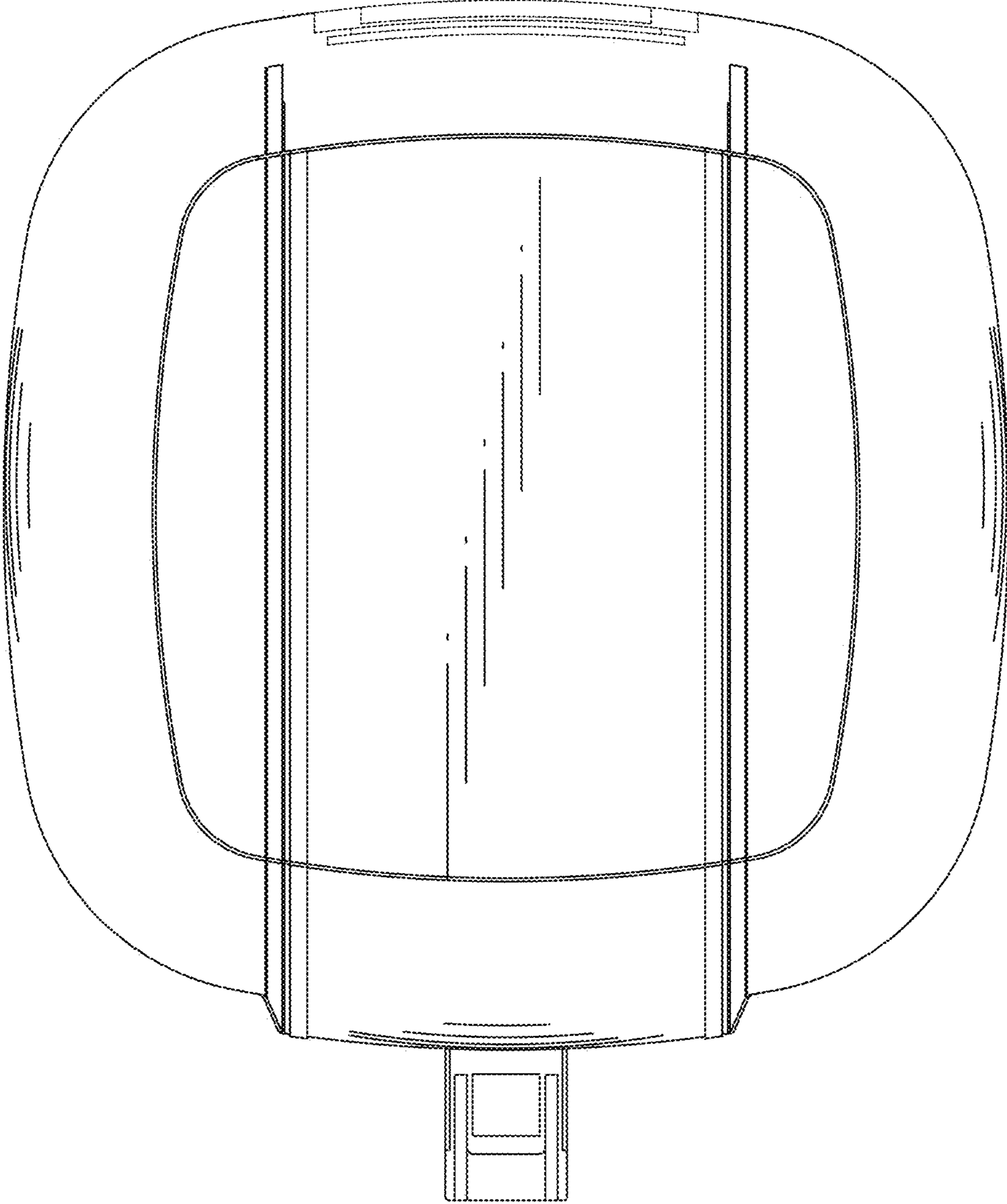


FIG. 3

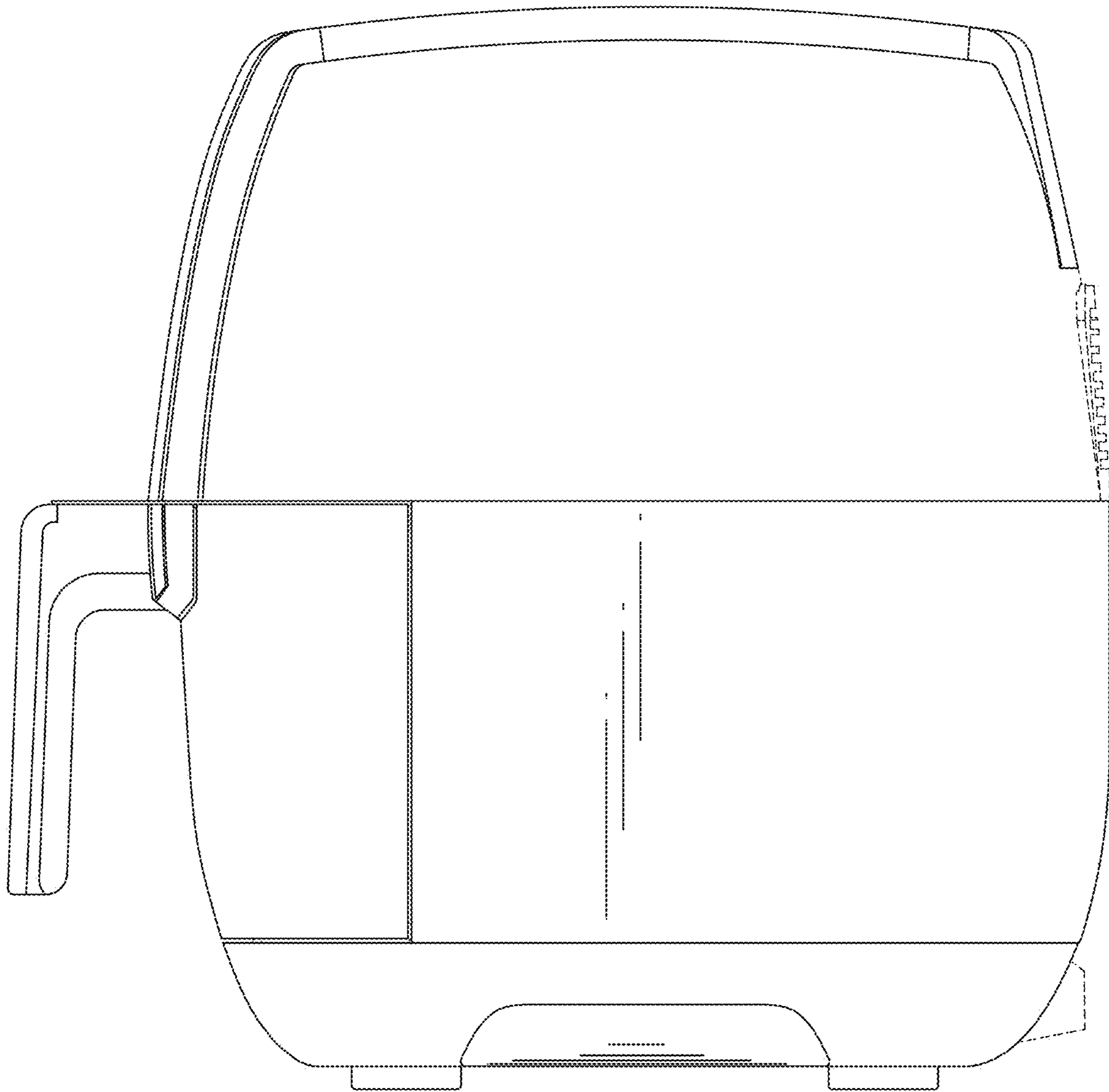


FIG. 4

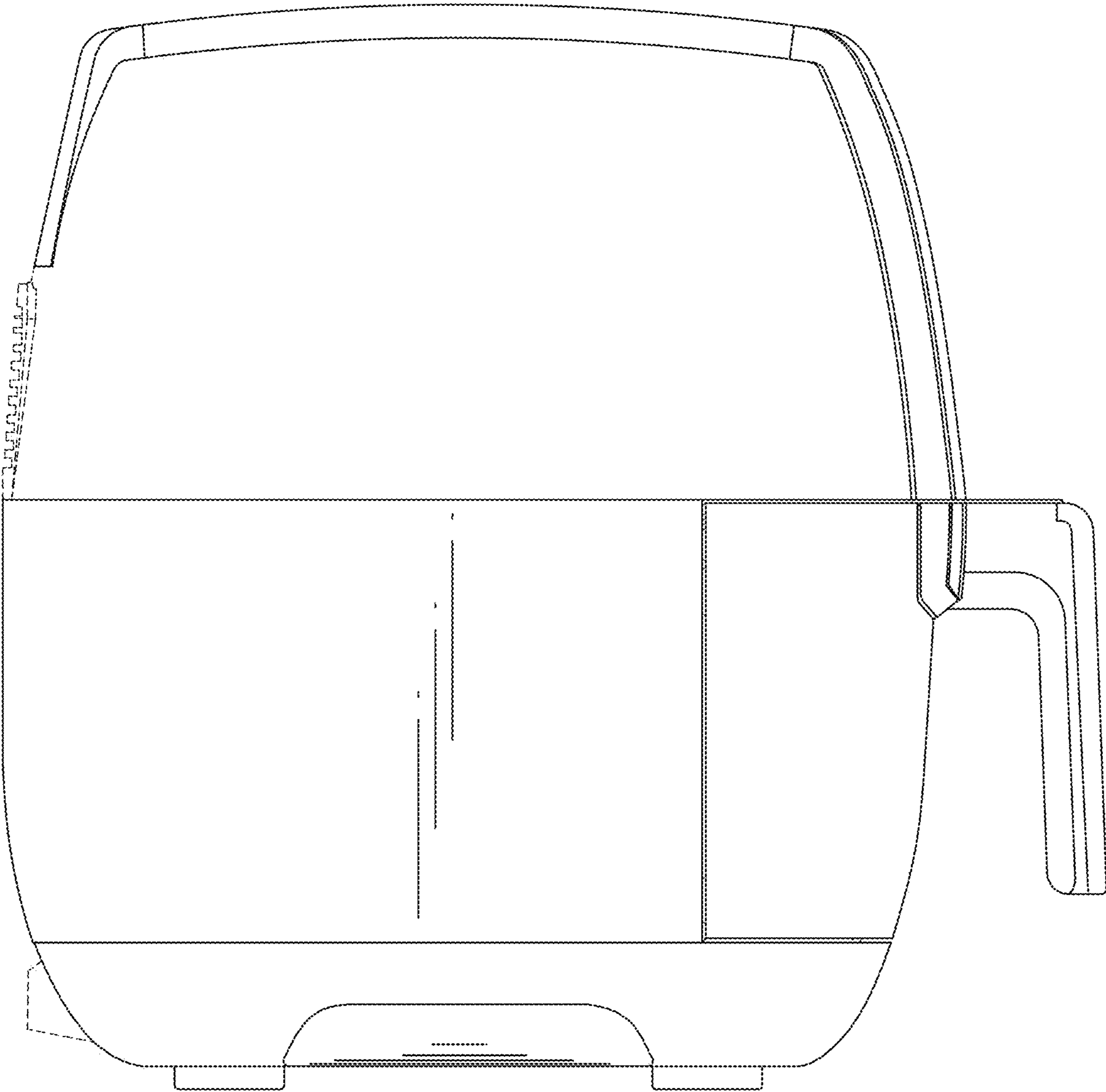


FIG. 5

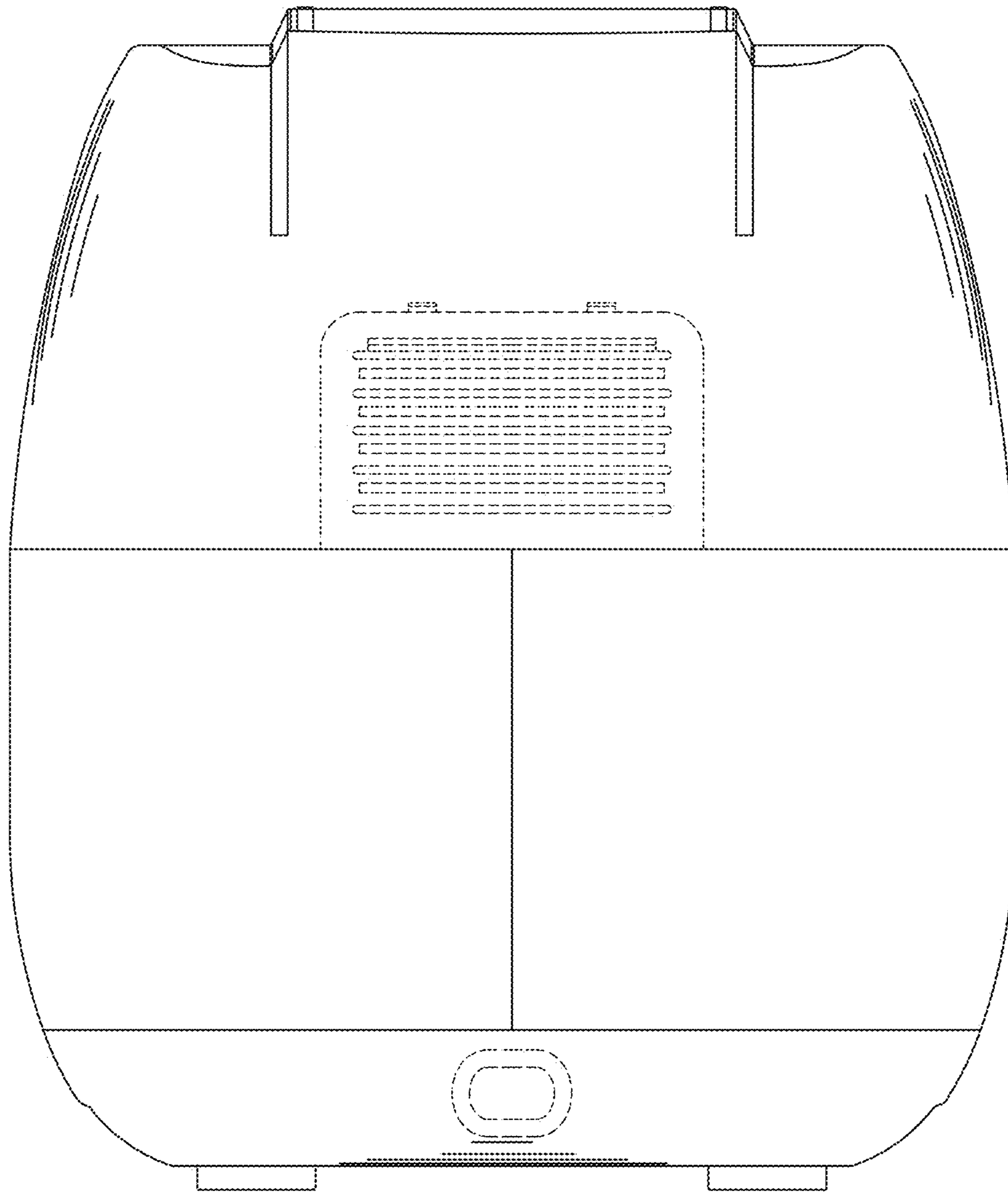


FIG. 6

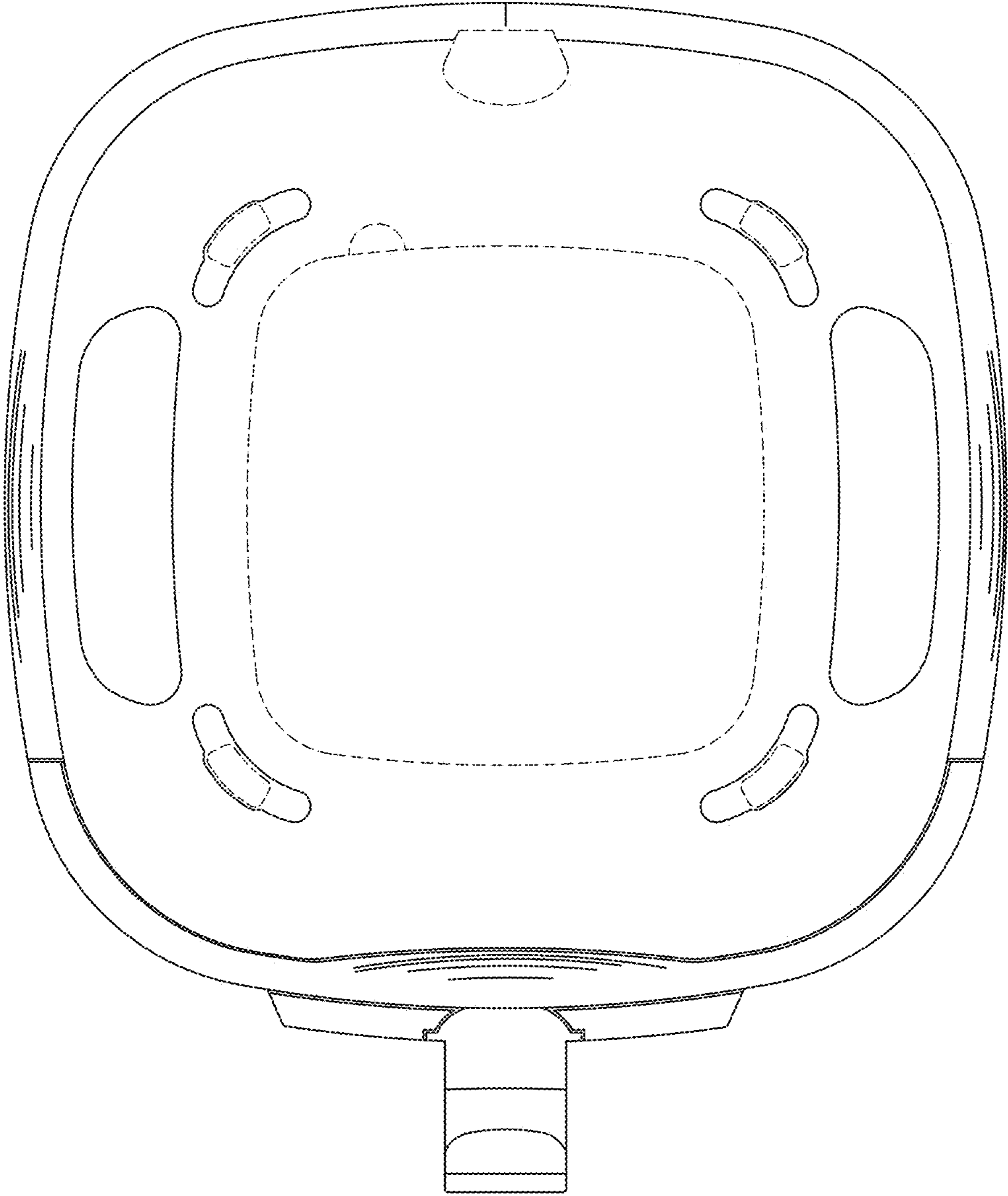


FIG. 7