



US00D878137S

(12) **United States Design Patent**  
**Fluksman**

(10) **Patent No.:** **US D878,137 S**

(45) **Date of Patent:** **\*\* Mar. 17, 2020**

(54) **FOLDABLE ROCKET STOVE**  
(71) Applicant: **Shay Fluksman**, Kfar Veradim (IL)  
(72) Inventor: **Shay Fluksman**, Kfar Veradim (IL)  
(\*\*) Term: **15 Years**  
(21) Appl. No.: **29/649,244**  
(22) Filed: **May 29, 2018**

5,144,939 A \* 9/1992 Christopherson ..... F24B 1/202  
110/108  
D667,253 S \* 9/2012 Warren ..... D7/335  
D766,410 S \* 9/2016 Miller ..... D7/332  
D818,302 S \* 5/2018 Magee ..... D7/337  
D819,387 S \* 6/2018 Stein ..... D7/337  
2013/0029024 A1 \* 1/2013 Warren ..... A47J 37/0704  
426/523  
2014/0209083 A1 \* 7/2014 Young ..... A47J 33/00  
126/30  
2017/0079460 A1 \* 3/2017 Steputis ..... A47J 37/0763  
\* cited by examiner

(30) **Foreign Application Priority Data**

Dec. 21, 2017 (IL) ..... 61413

(51) **LOC (12) Cl.** ..... **07-02**

(52) **U.S. Cl.**  
USPC ..... **D7/332**

(58) **Field of Classification Search**  
USPC ..... D7/332-337, 352-356, 358, 362-364,  
D7/366; 126/25 R  
CPC ..... A47J 33/00; A47J 37/07; A47J 37/0704;  
A47J 37/0713; A47J 37/0763; A47J  
37/0786; A47J 2037/0777; F24C 3/14;  
F24B 1/202  
See application file for complete search history.

(56) **References Cited**

**U.S. PATENT DOCUMENTS**

2,756,738 A \* 7/1956 Kratz ..... F24B 1/205  
126/25 R  
D187,318 S \* 2/1960 Jones ..... D7/332

*Primary Examiner* — Brett Miller

(74) *Attorney, Agent, or Firm* — The Roy Gross Law Firm, LLC; Roy Gross

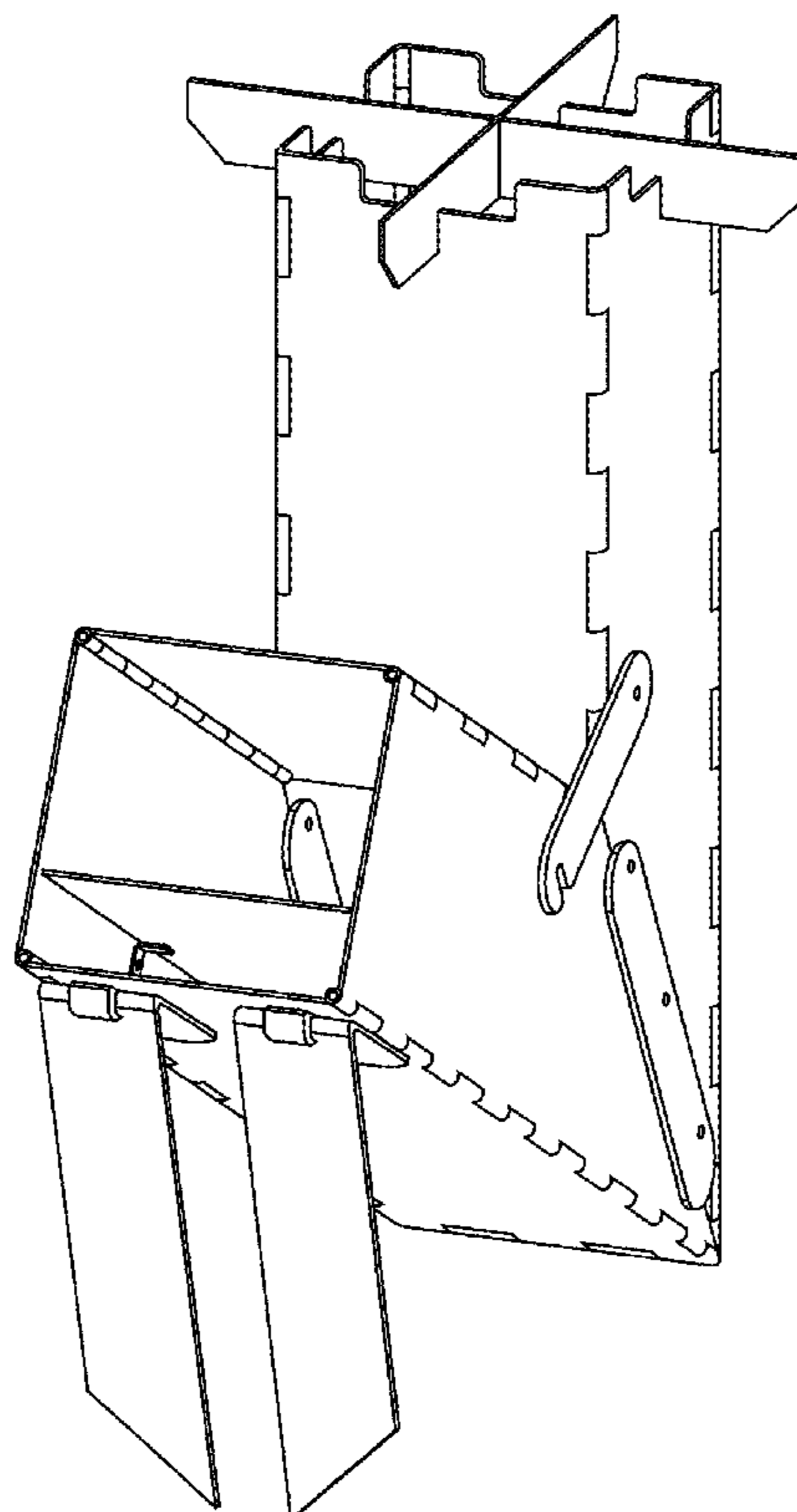
(57) **CLAIM**

The ornamental design for foldable rocket stove, as shown and described.

**DESCRIPTION**

FIG. 1 is a front view of a foldable rocket stove in accordance with the new design;  
FIG. 2 is a bottom view thereof;  
FIG. 3 is a side view thereof;  
FIG. 4 is a bottom view thereof in a folded configuration;  
FIG. 5 is a side view thereof in a folded configuration;  
FIG. 6 is a rear view of FIG. 1; and,  
FIG. 7 is a front isometric view of FIG. 1.

**1 Claim, 7 Drawing Sheets**



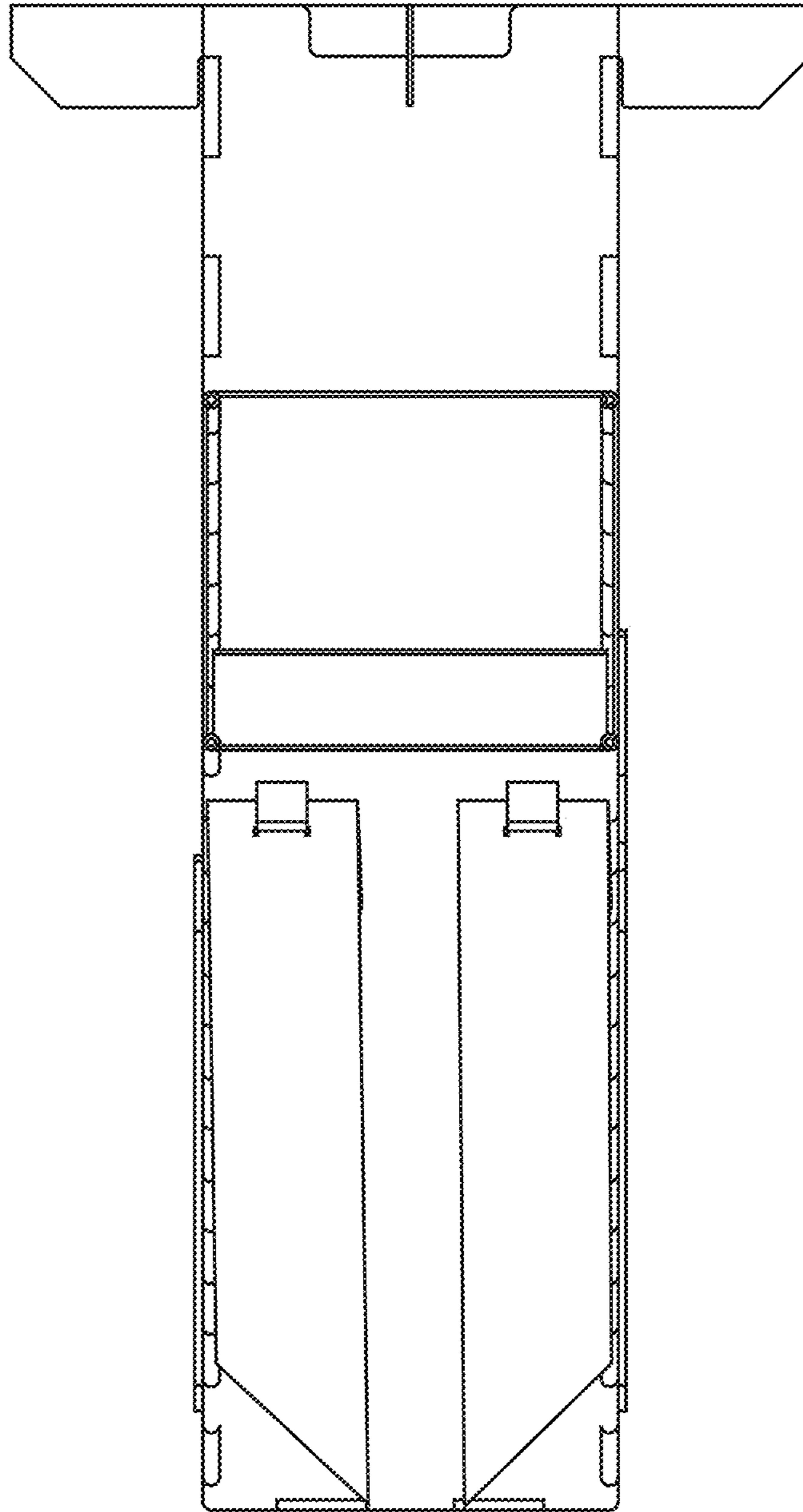


FIG. 1

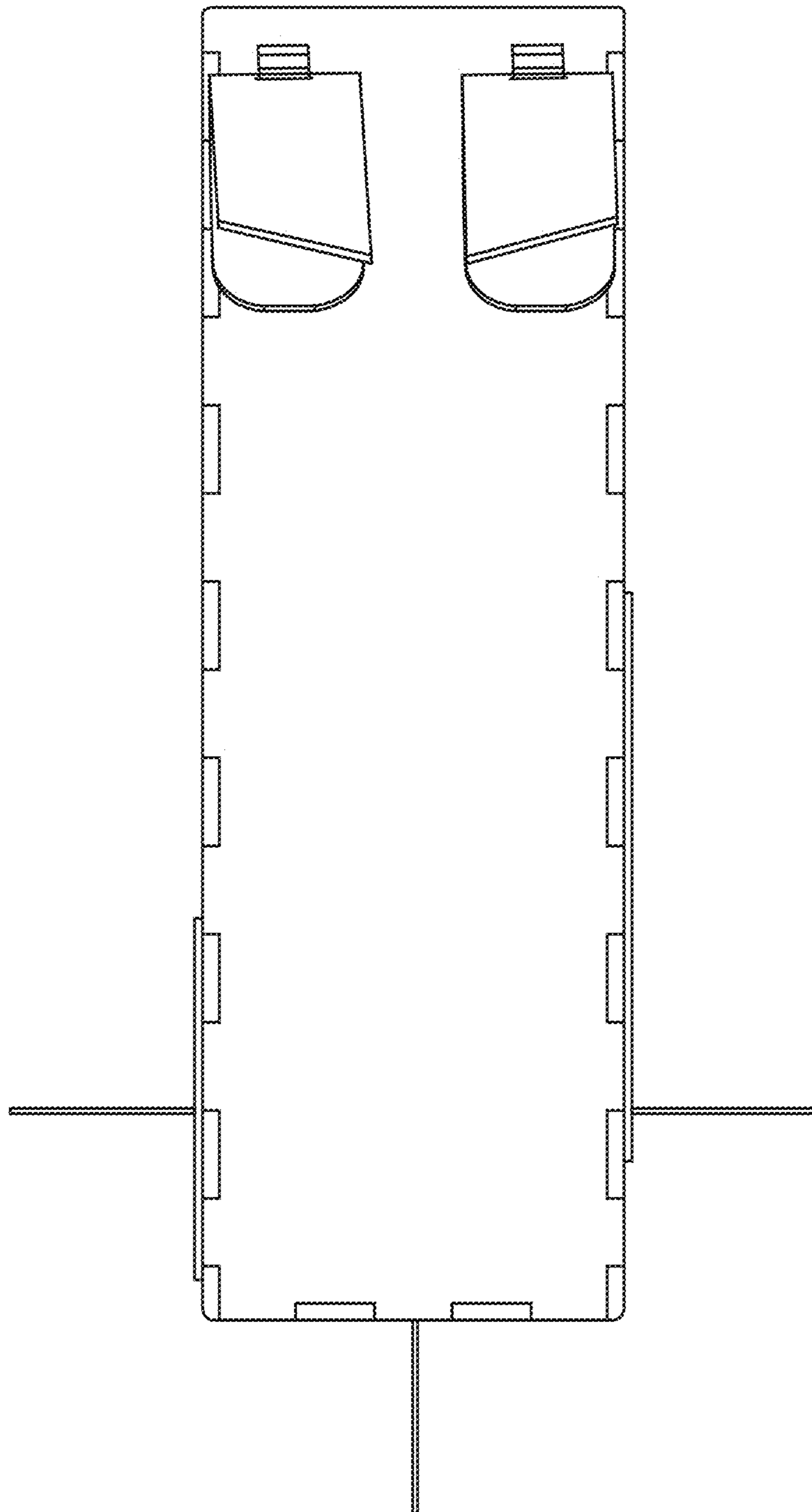


FIG. 2

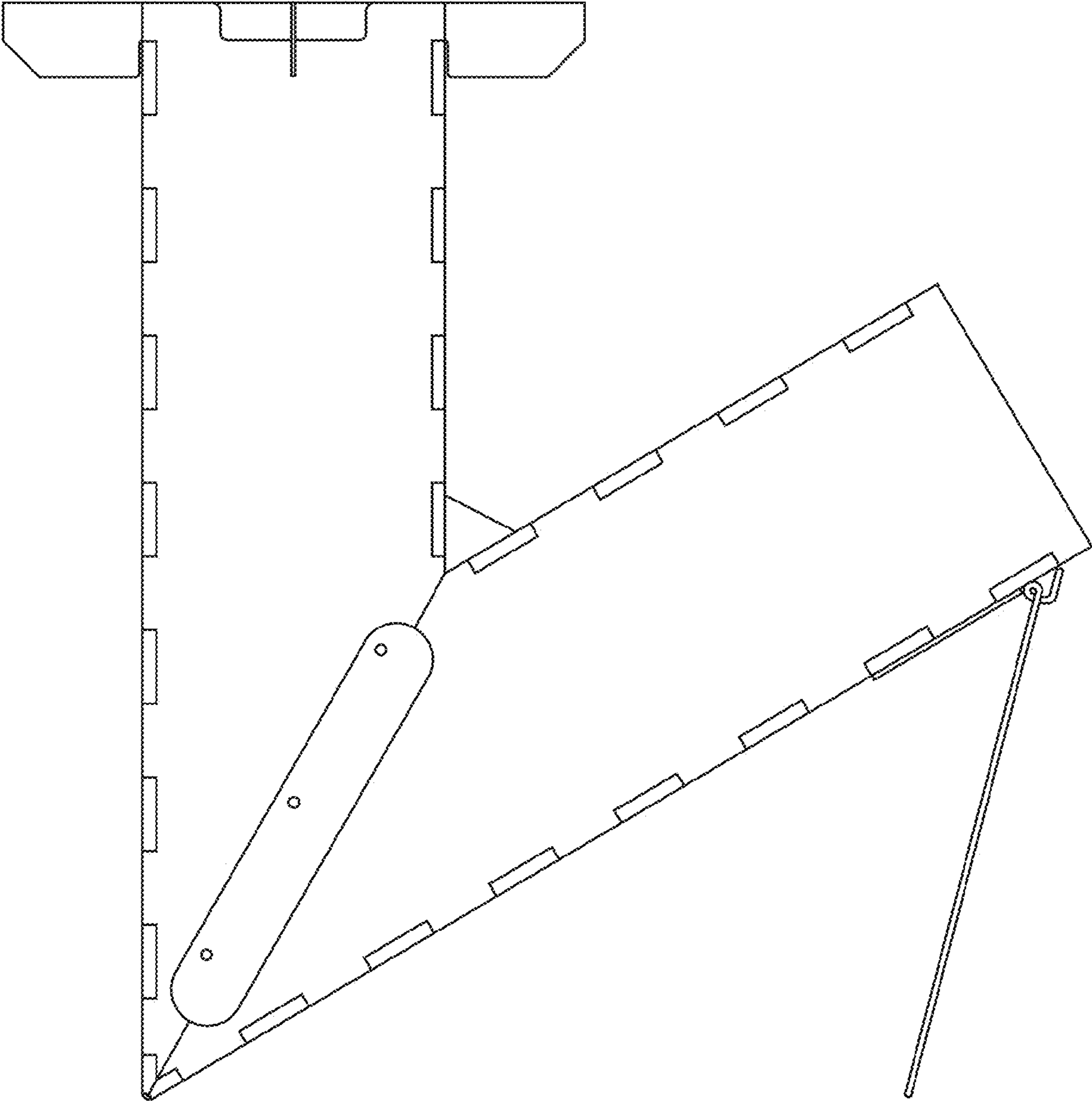


FIG. 3

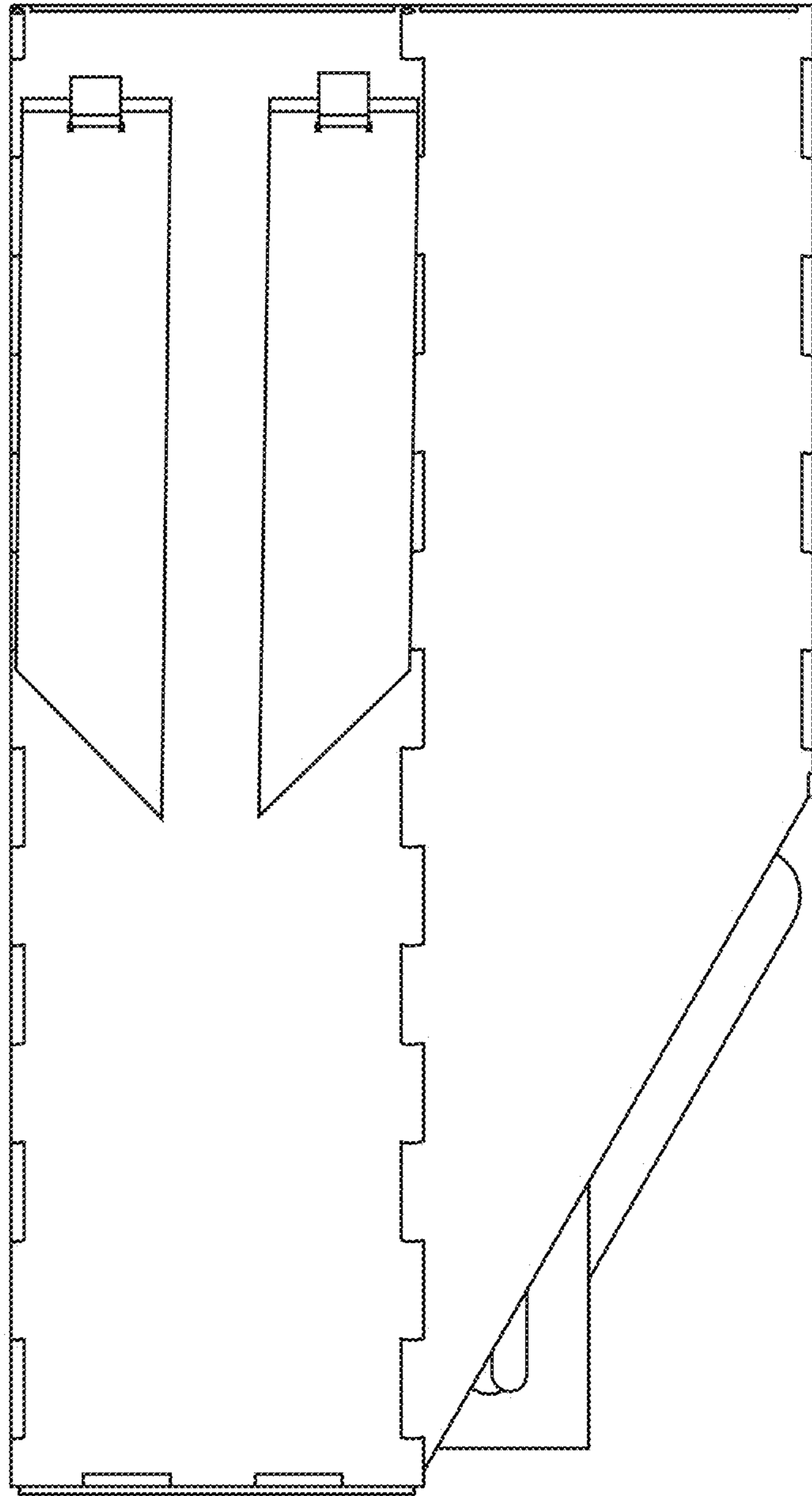


FIG. 4

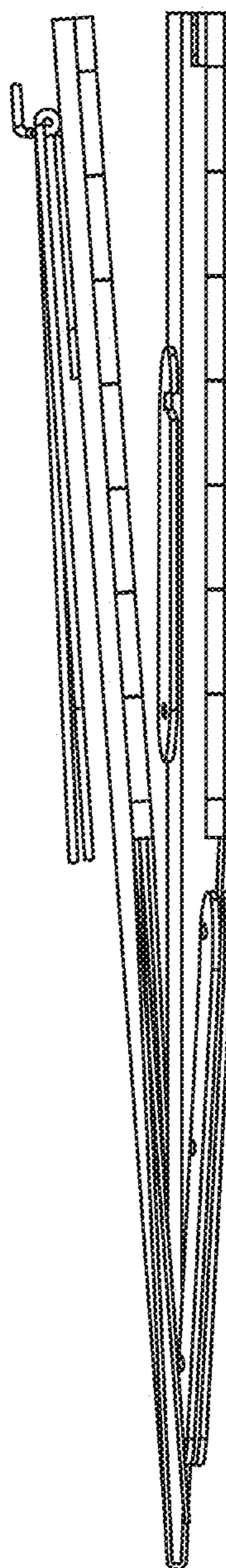


FIG. 5

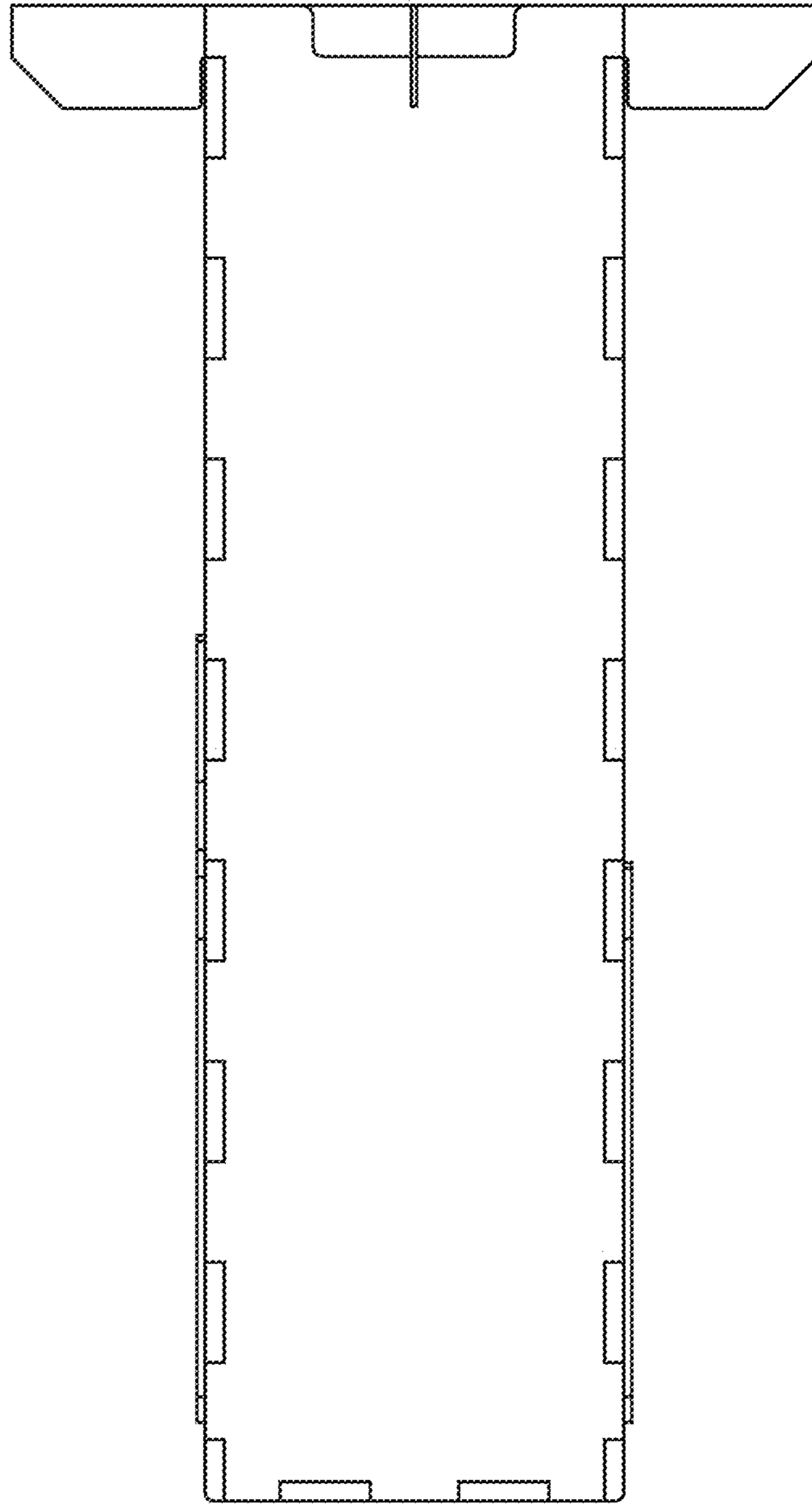


FIG. 6

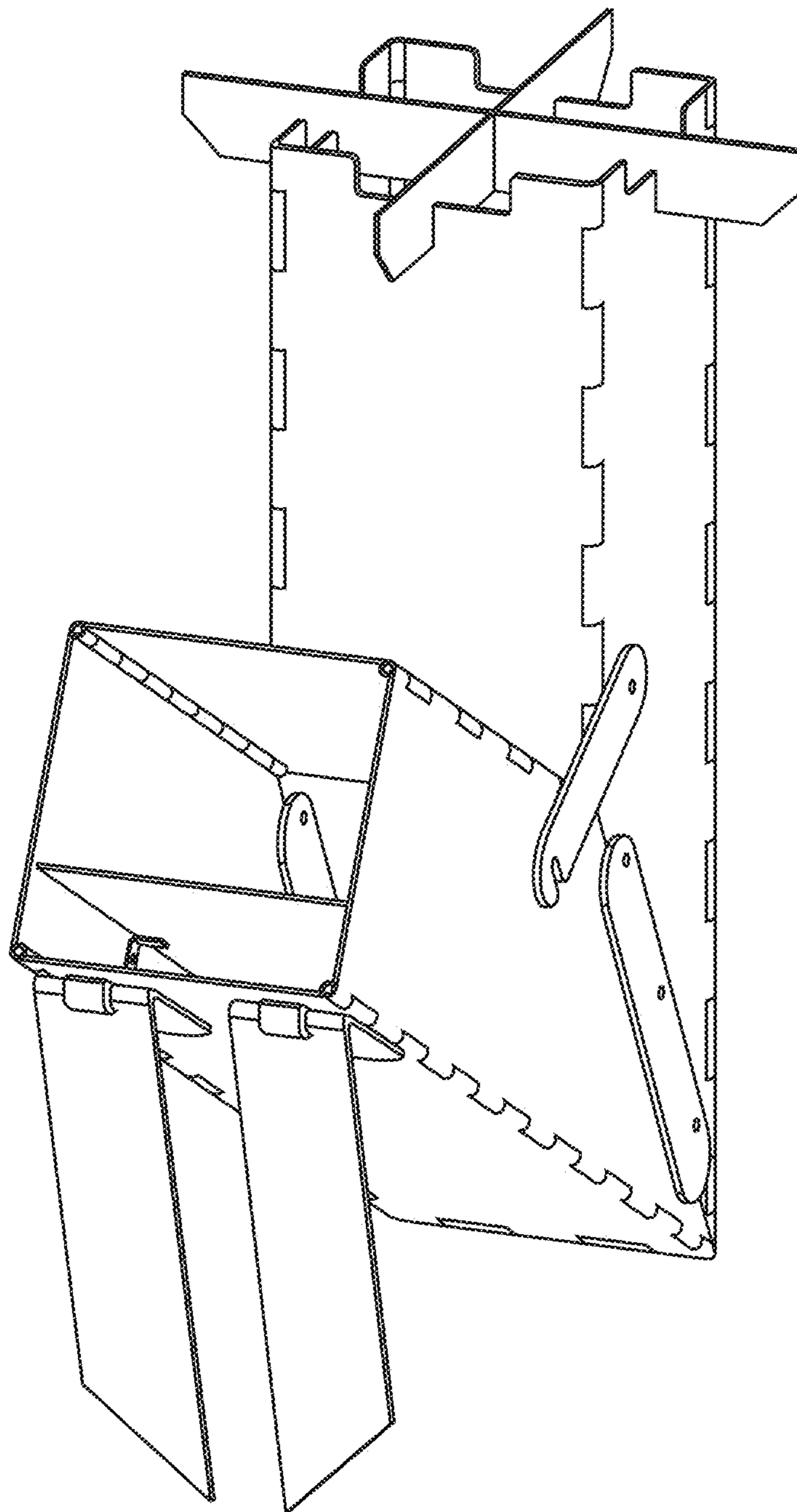


FIG. 7