



US00D878136S

(12) **United States Design Patent** (10) **Patent No.:** **US D878,136 S**
Bhogal et al. (45) **Date of Patent:** **** Mar. 17, 2020**

(54) **OVEN**

(71) Applicant: **June Life, Inc.**, San Francisco, CA (US)

(72) Inventors: **Nikhil Bhogal**, San Francisco, CA (US); **Nikko Lubinski**, San Francisco, CA (US); **Matthew Van Horn**, San Francisco, CA (US)

(73) Assignee: **June Life, Inc.**, San Francisco, CA (US)

(**) Term: **15 Years**

(21) Appl. No.: **29/701,743**

(22) Filed: **Aug. 14, 2019**

Related U.S. Application Data

(63) Continuation of application No. 29/645,221, filed on Apr. 24, 2018, now Pat. No. Des. 861,409.

(51) **LOC (12) Cl.** **07-02**

(52) **U.S. Cl.**
USPC **D7/328**

(58) **Field of Classification Search**
USPC ... D7/323, 328-330, 339-349, 350.1, 350.4, D7/390, 402-406; D8/300-306
(Continued)

(56) **References Cited**

U.S. PATENT DOCUMENTS

D495,556 S 9/2004 Milrud et al.
D525,075 S * 7/2006 Jeon, III D7/350.1
(Continued)

Primary Examiner — Ricky Pham

(74) *Attorney, Agent, or Firm* — Jeffrey Schox; Diana Lin

(57) **CLAIM**

We claim the ornamental design for an oven, as shown and described.

DESCRIPTION

FIG. 1 is an isometric view, from the top left, of a first embodiment of the oven.

FIG. 2 is an isometric view, from the bottom right, of the first embodiment of the oven.

FIG. 3 is an elevation view from the front of the first embodiment of the oven.

FIG. 4 is an elevation view from the back of the first embodiment of the oven.

FIG. 5 is a plan view from the top of the first embodiment of the oven.

FIG. 6 is an elevation view from the right side of the first embodiment of the oven.

FIG. 7 is an elevation view from the left side of the first embodiment of the oven

FIG. 8 is a plan view from the bottom of the first embodiment of the oven.

FIG. 9 is an isometric view, from the top left, of a second embodiment of the oven.

FIG. 10 is an isometric view, from the bottom right, of the second embodiment of the oven.

FIG. 11 is an elevation view from the front of the second embodiment of the oven.

FIG. 12 is an elevation view from the back of the second embodiment of the oven.

FIG. 13 is a plan view from the top of the second embodiment of the oven.

FIG. 14 is an elevation view from the right side of the second embodiment of the oven.

FIG. 15 is an elevation view from the left side of the second embodiment of the oven

FIG. 16 is a plan view from the bottom of the second embodiment of the oven.

FIG. 17 is an isometric view, from the top left, of a third embodiment of the oven.

FIG. 18 is an isometric view, from the bottom right, of the third embodiment of the oven.

FIG. 19 is an elevation view from the front of the third embodiment of the oven.

FIG. 20 is an elevation view from the back of the third embodiment of the oven.

FIG. 21 is a plan view from the top of the third embodiment of the oven.

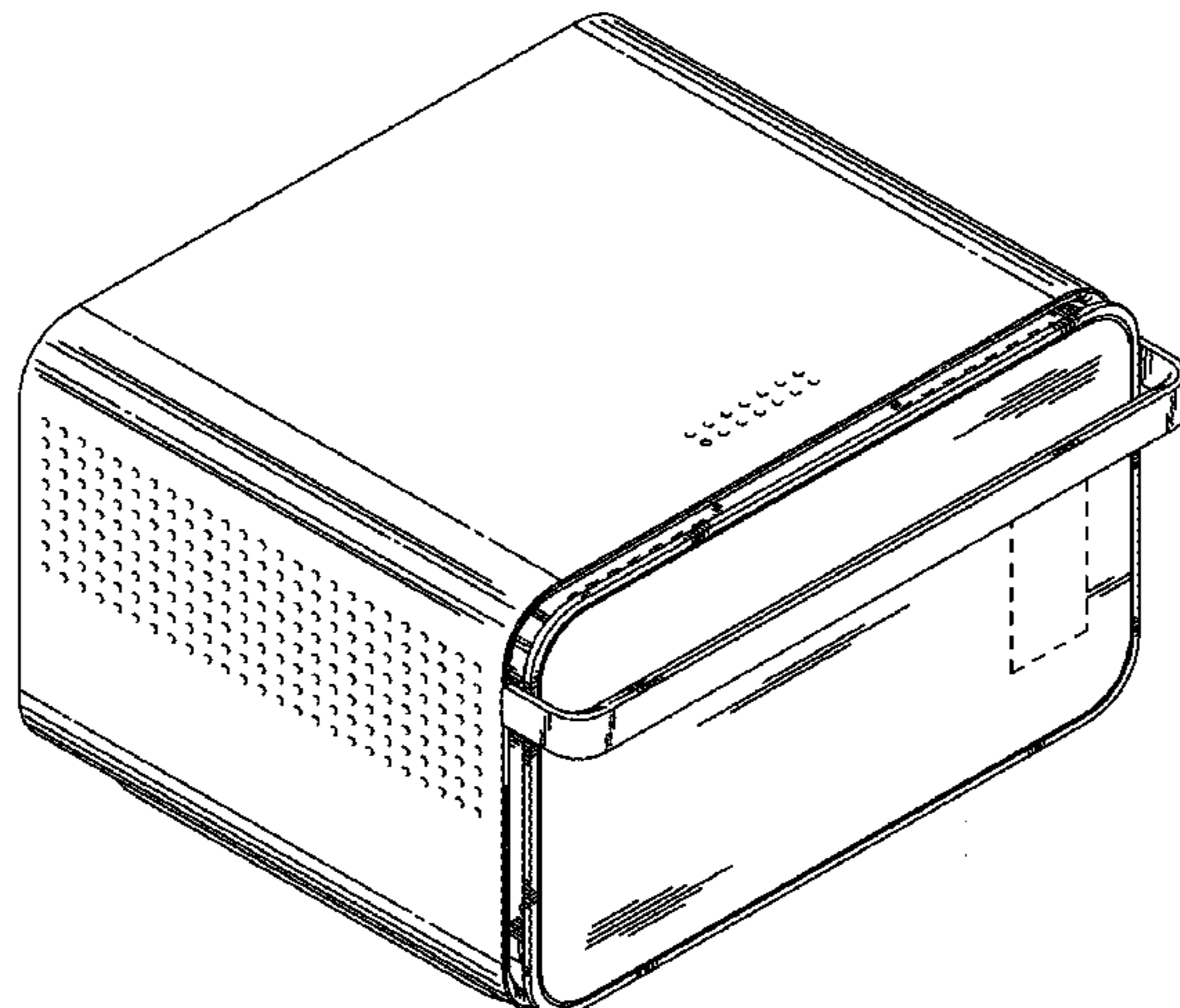
FIG. 22 is an elevation view from the right side of the third embodiment of the oven.

FIG. 23 is an elevation view from the left side of the third embodiment of the oven; and,

FIG. 24 is a plan view from the bottom of the third embodiment of the oven.

Any broken lines are understood to be for illustrative purposes only and form no part of the claimed design.

1 Claim, 12 Drawing Sheets



(58) **Field of Classification Search**

CPC ... A21B 2/00; A47J 37/00; A47J 37/06; A47J
37/0611; A47J 37/0623; A47J 37/08;
A47J 37/0807; A47J 37/0814; A47J
37/0835; A47J 37/0842; A47J 37/085;
A47J 37/0864; A47J 37/0878; A47J
37/0885; A47J 37/0892; F24C 15/02;
F24C 15/04; F24C 15/10; F24C 15/102

See application file for complete search history.

(56) **References Cited**

U.S. PATENT DOCUMENTS

D525,477 S 7/2006 Kim
D530,561 S 10/2006 Kim
D540,613 S * 4/2007 Jeon D7/350.1
D587,959 S * 3/2009 Hensel D7/350.1

D717,579 S * 11/2014 Gregory D7/350.4
D748,424 S * 2/2016 Funnell, II D7/348
D771,995 S * 11/2016 Bhogal D7/350.1
D771,996 S 11/2016 Bhogal et al.
D773,234 S 12/2016 Suh et al.
D780,504 S 3/2017 Terao
D782,864 S 4/2017 Bhogal et al.
D786,611 S * 5/2017 Funnell, II D7/348
D802,996 S * 11/2017 Bhogal D7/405
D815,485 S 4/2018 Suehiro et al.
D819,386 S * 6/2018 Gushwa D7/328
D829,485 S 10/2018 Morenstein et al.
D839,039 S * 1/2019 Marsh-Croft D7/350.1
D842,638 S 3/2019 Filinesi et al.
D859,907 S * 9/2019 Morenstein D7/350.1
D861,409 S * 10/2019 Bhogal D7/328
2009/0107343 A1 * 4/2009 De'Longhi A47J 37/0623
99/352

* cited by examiner

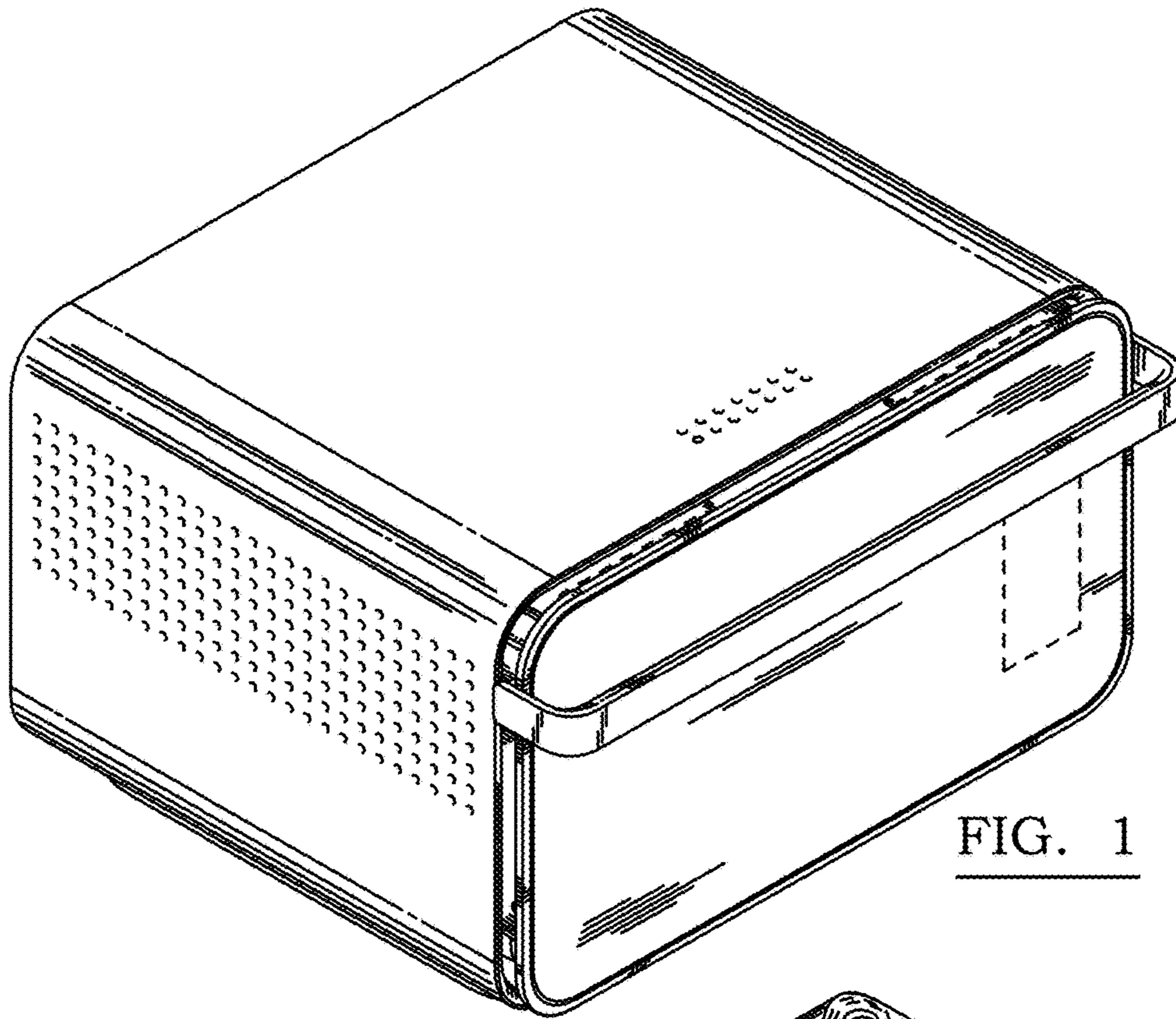


FIG. 1

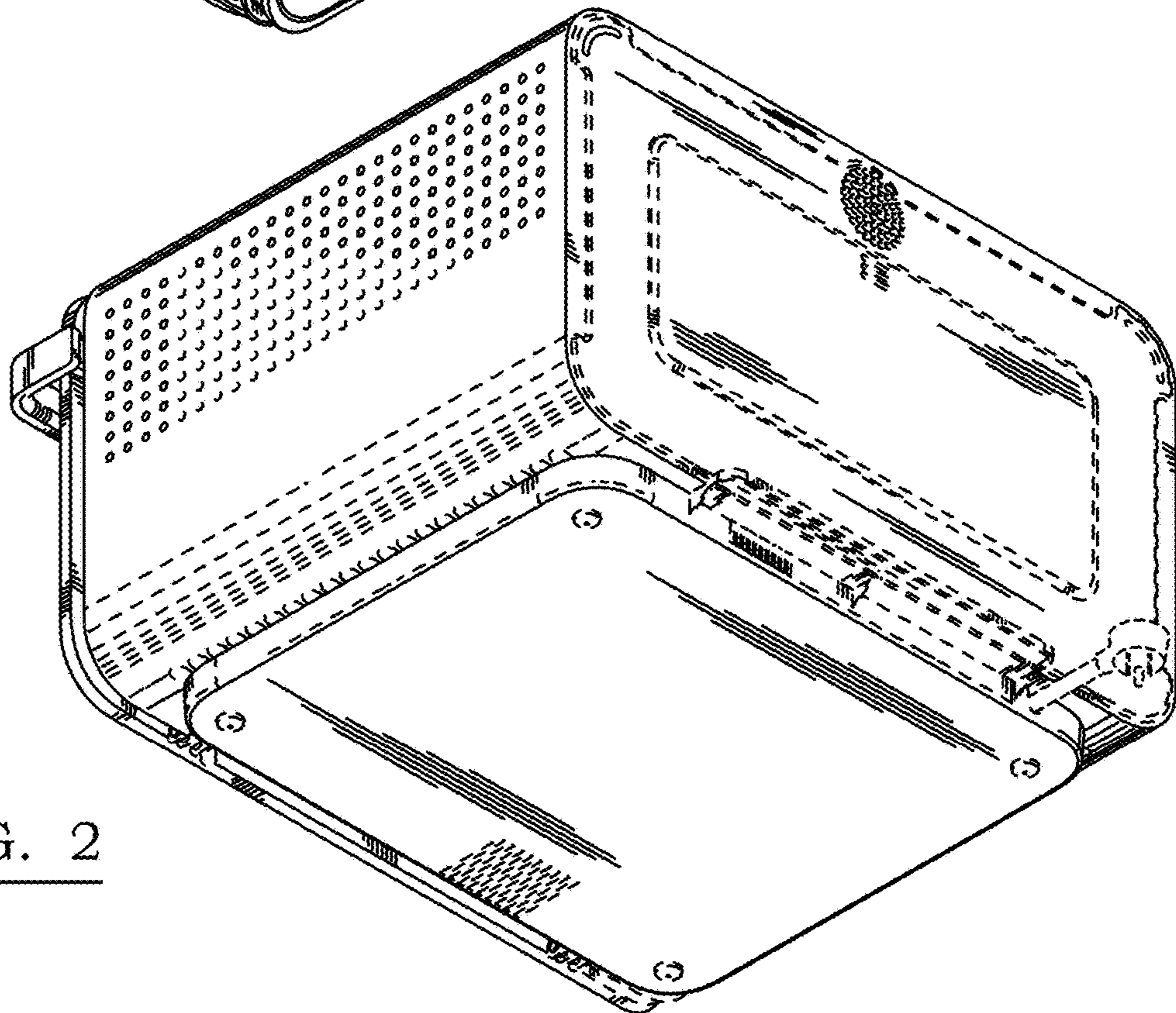


FIG. 2

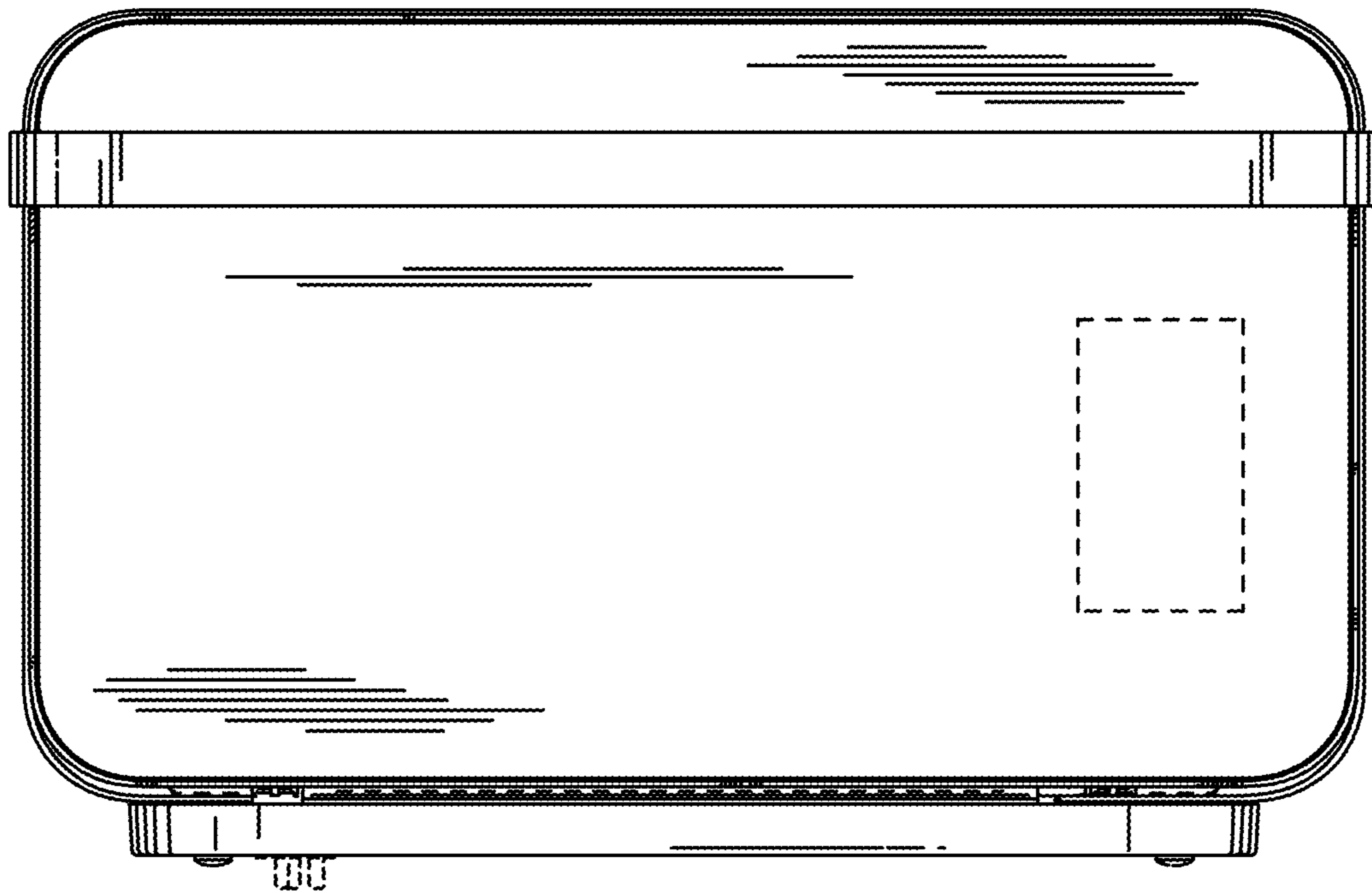


FIG. 3

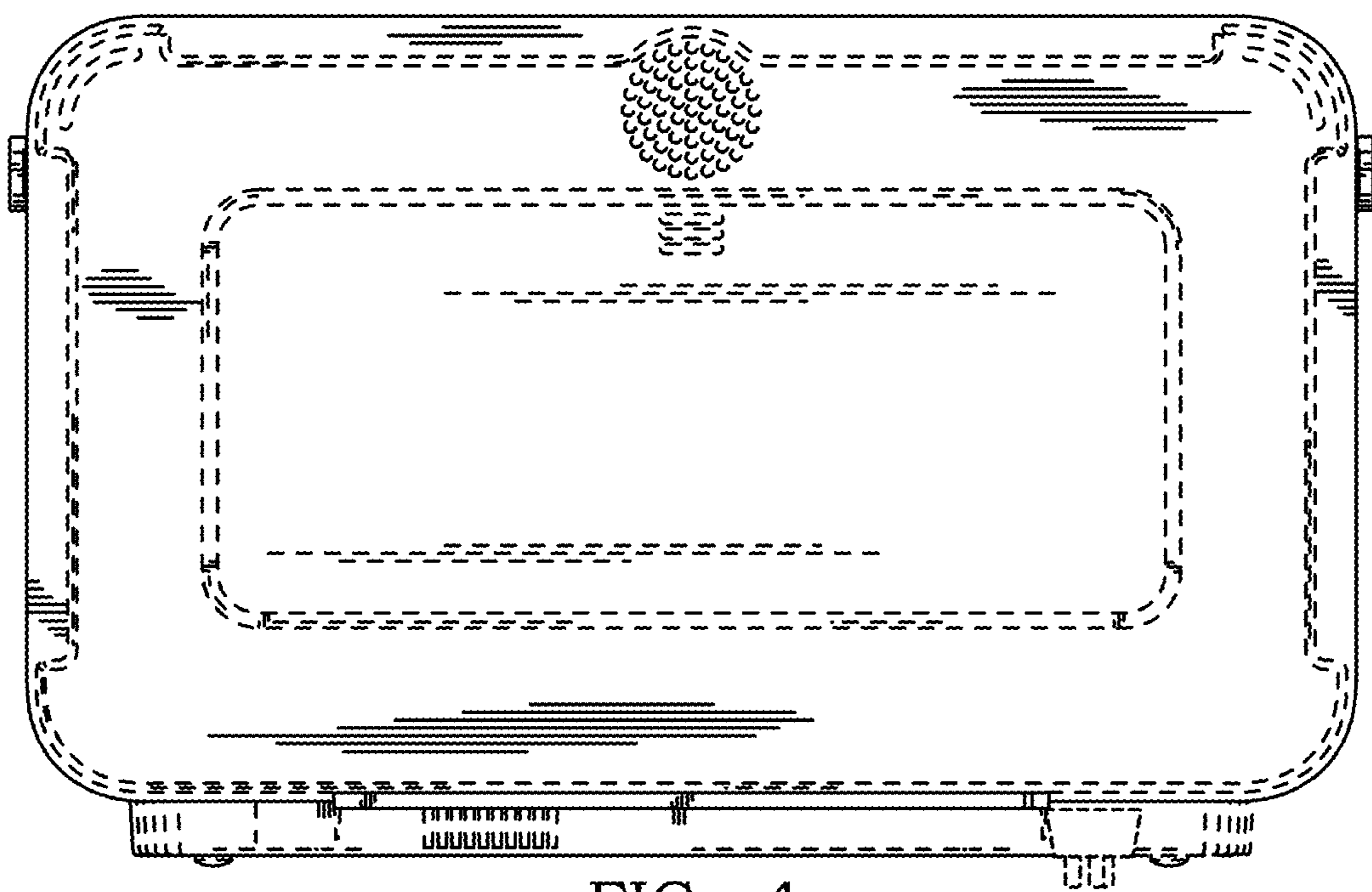


FIG. 4

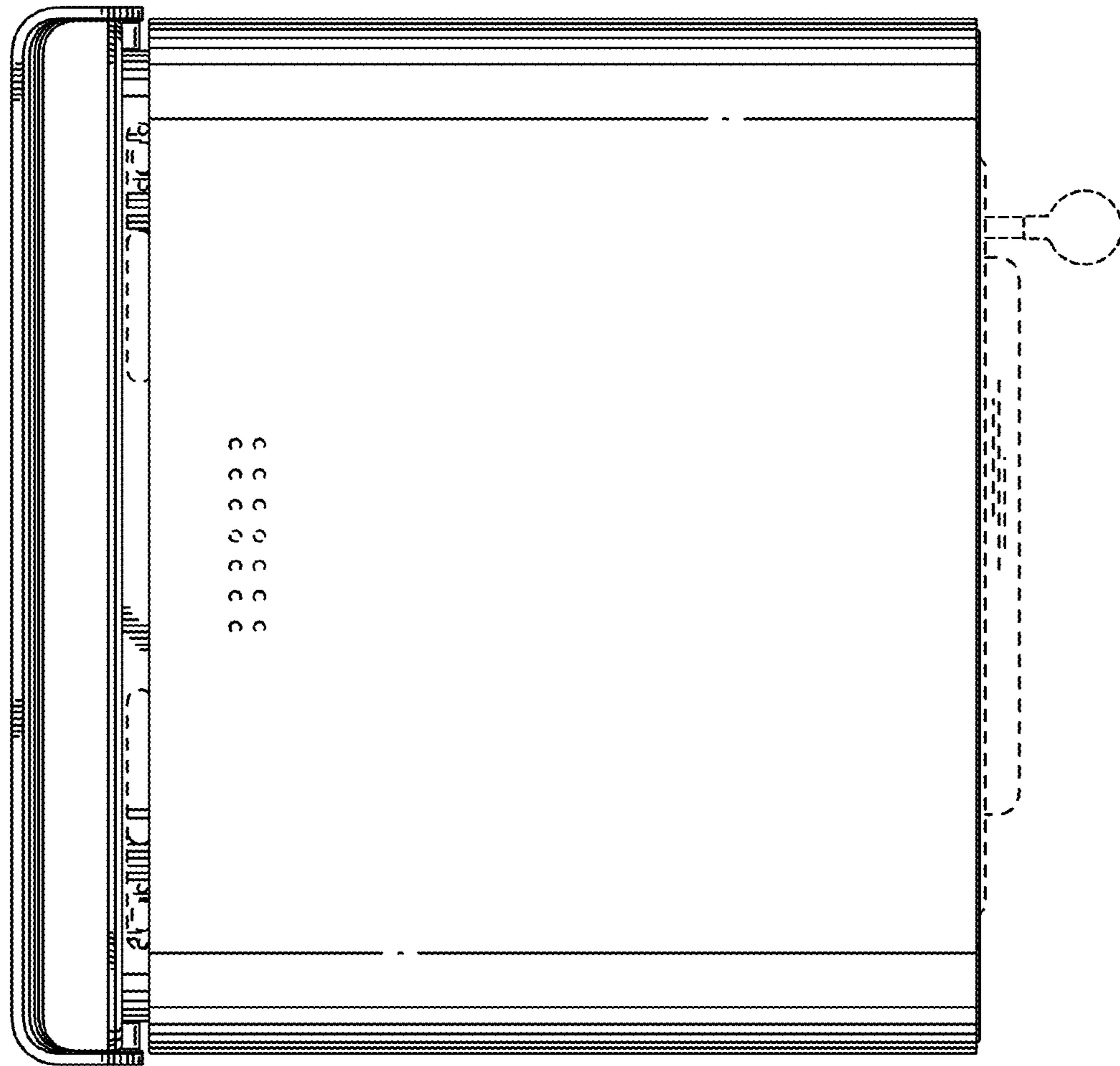


FIG. 5

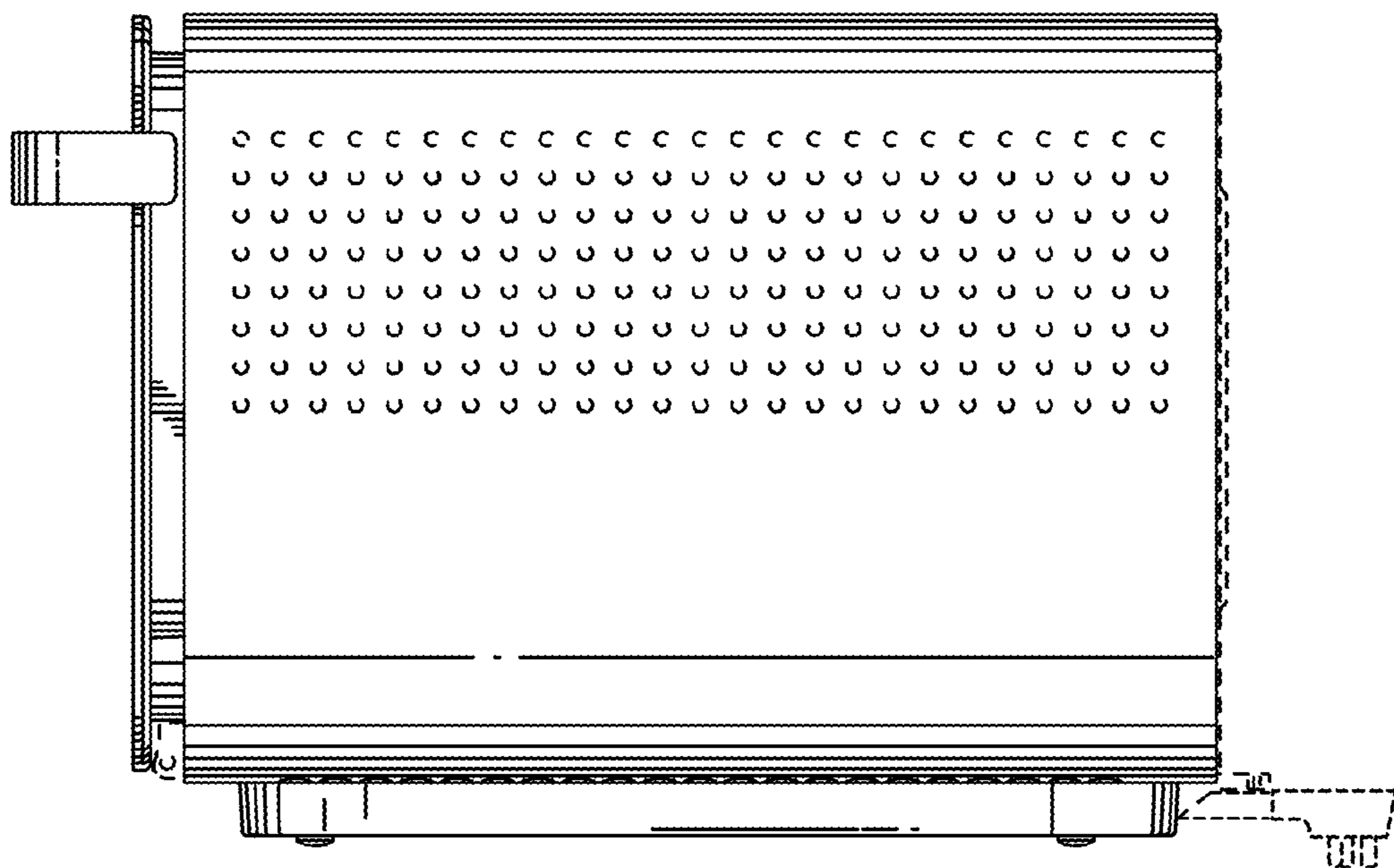


FIG. 6

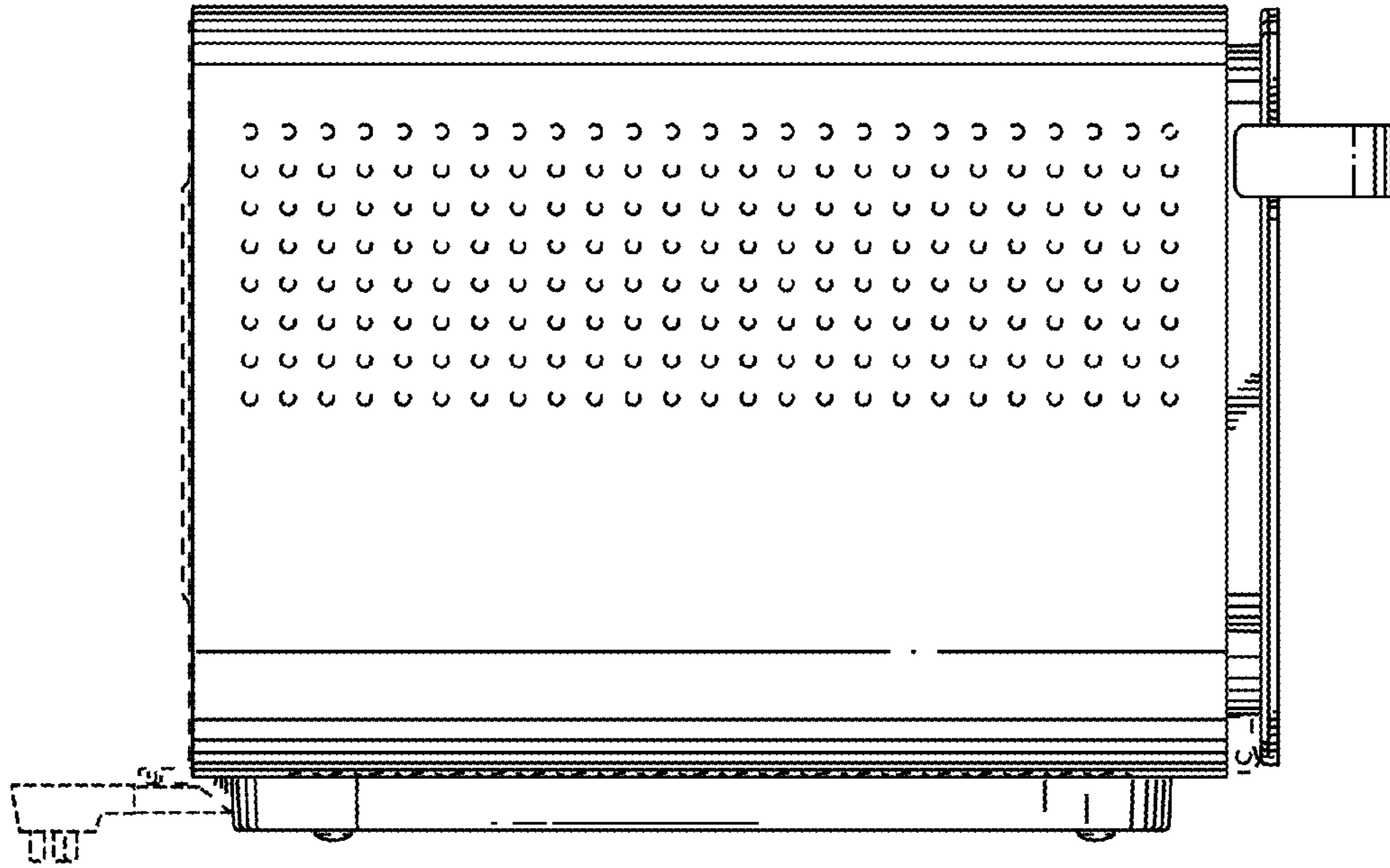


FIG. 7

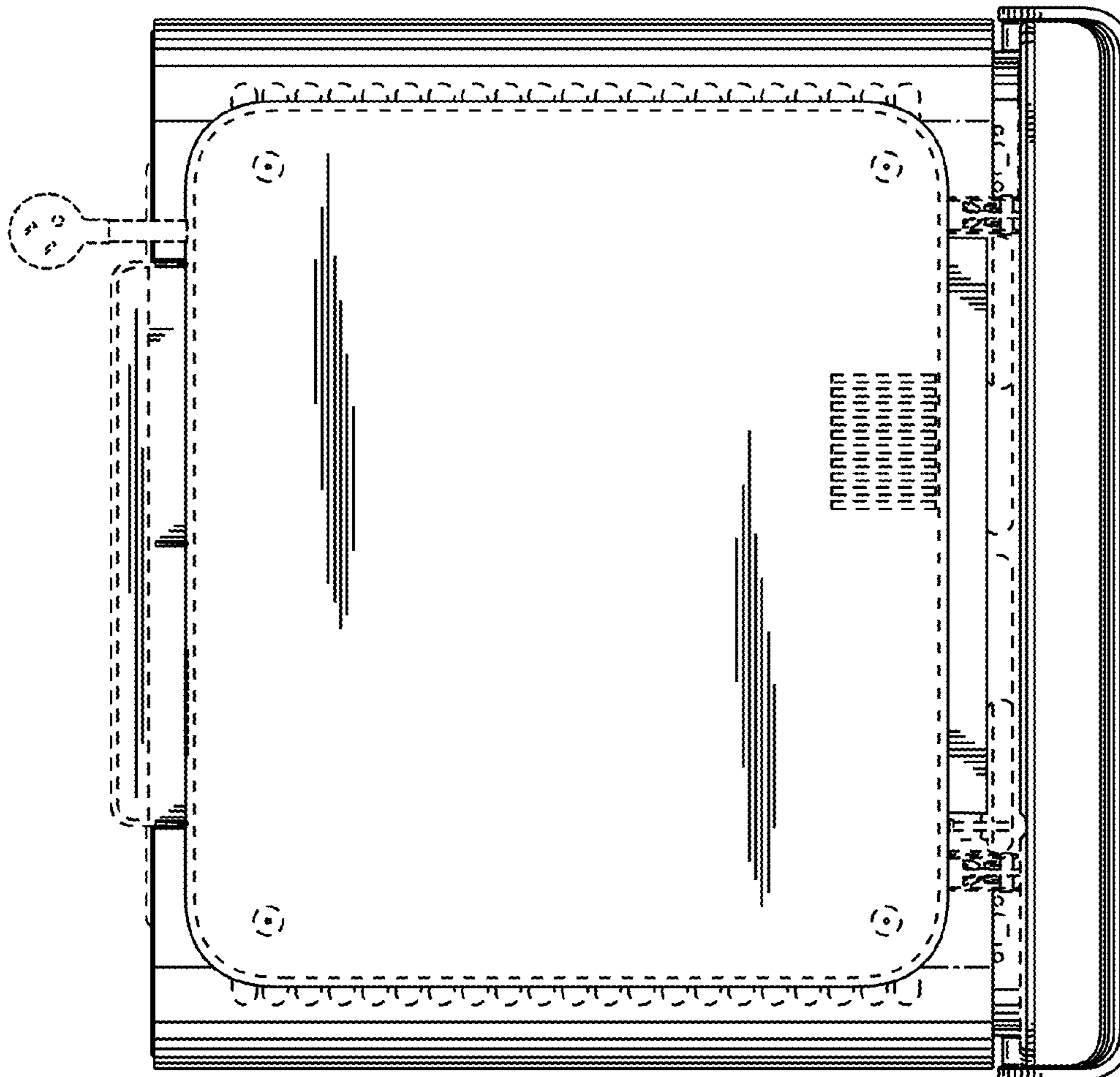


FIG. 8

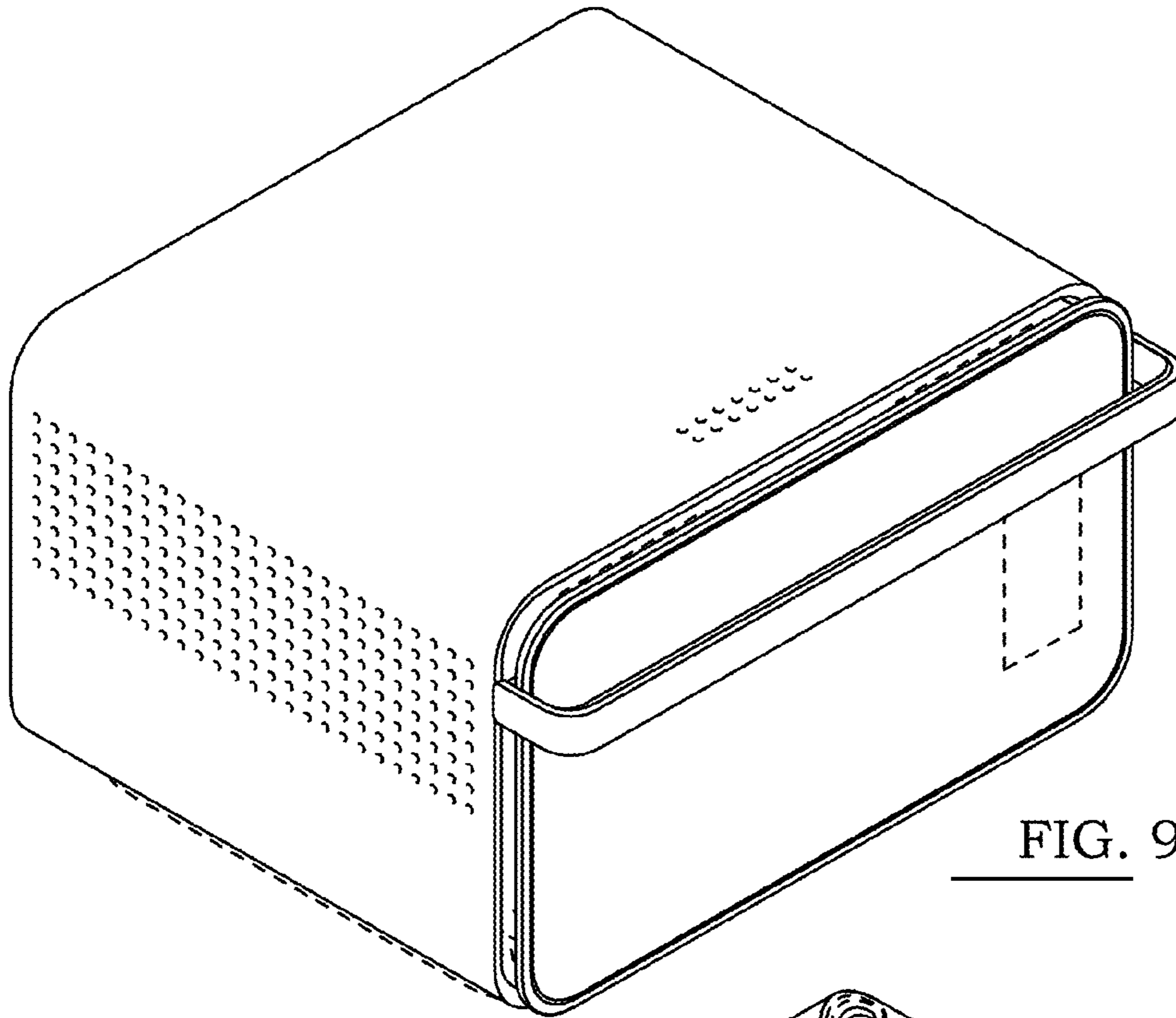


FIG. 9

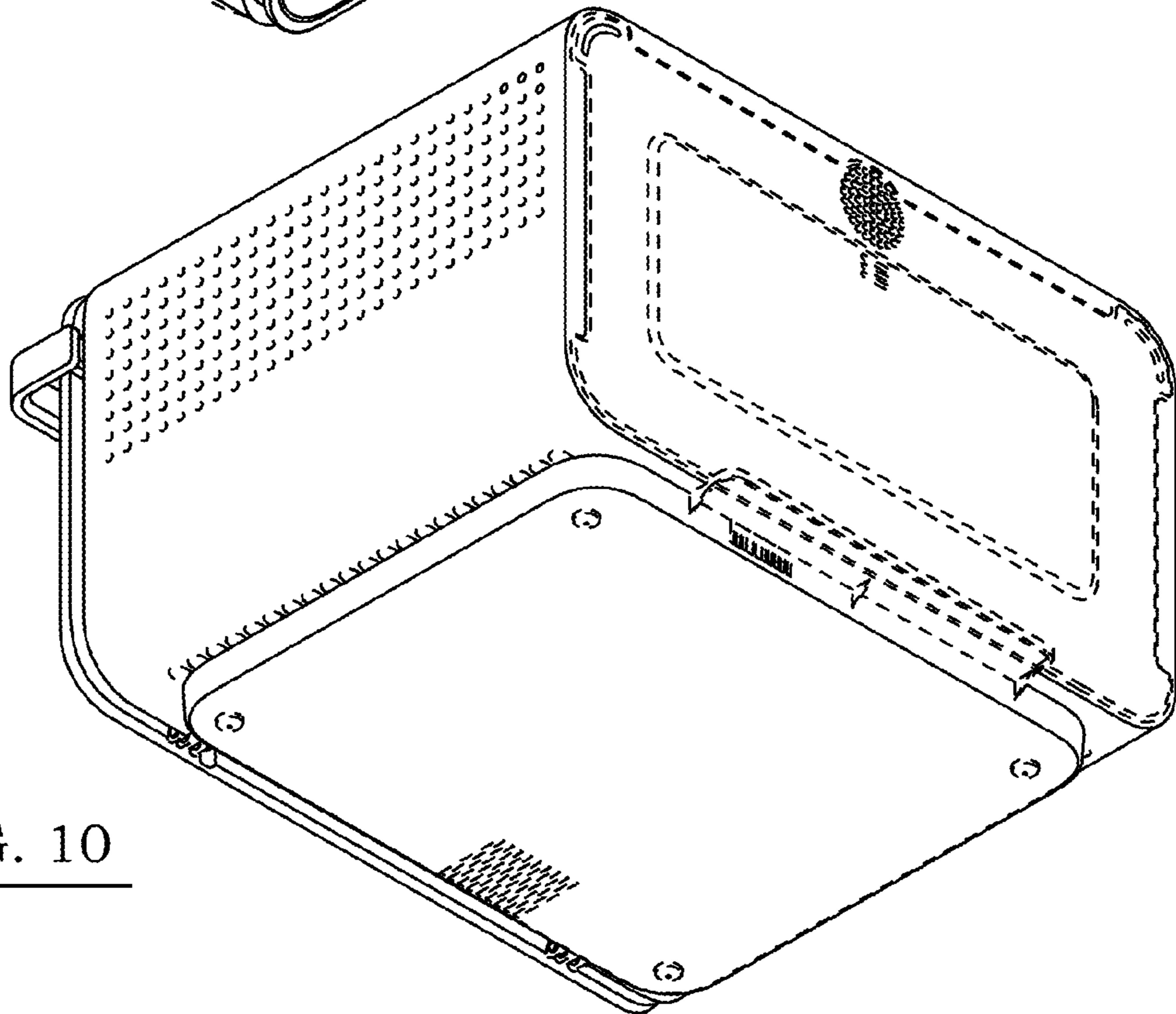


FIG. 10

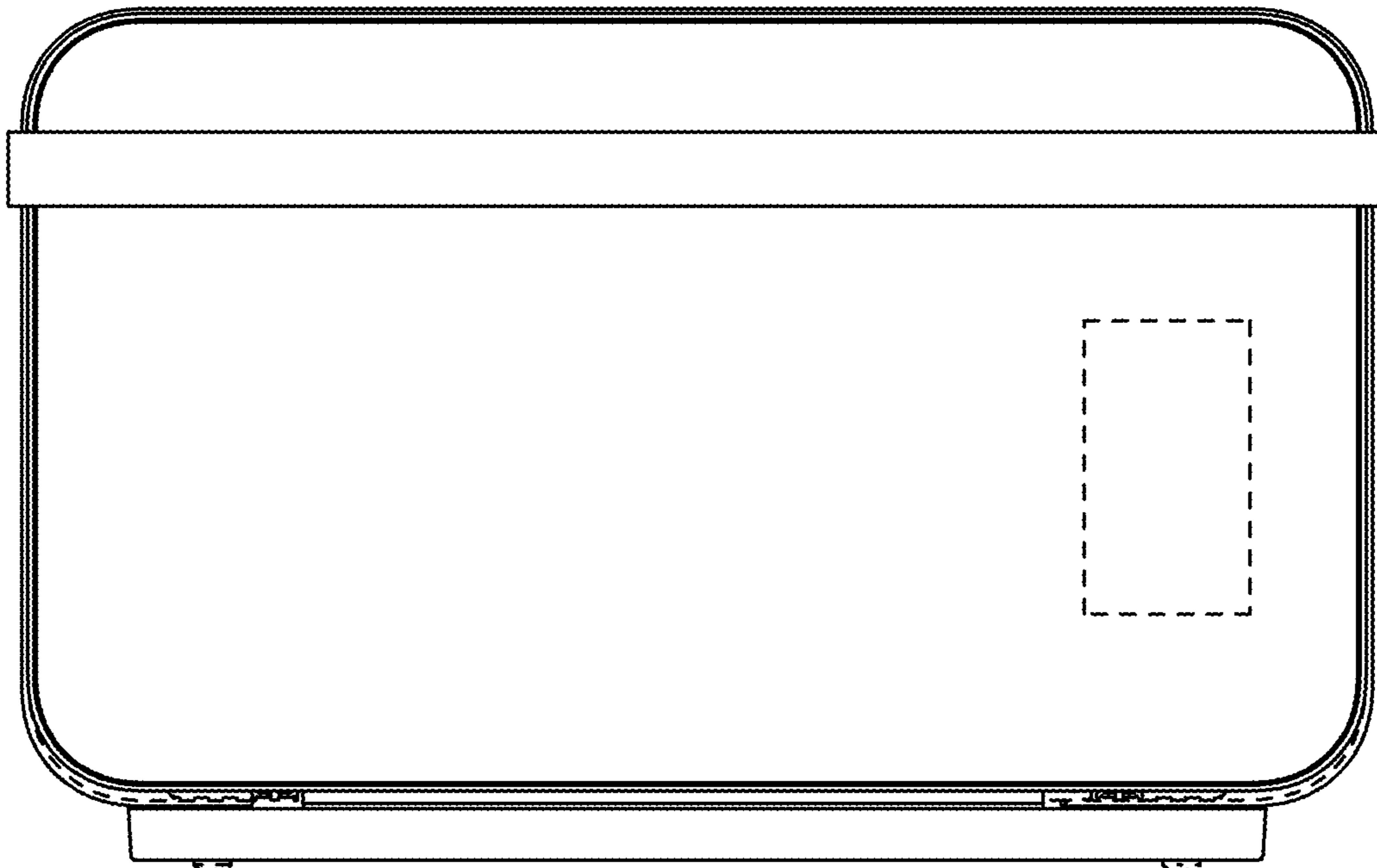


FIG. 11

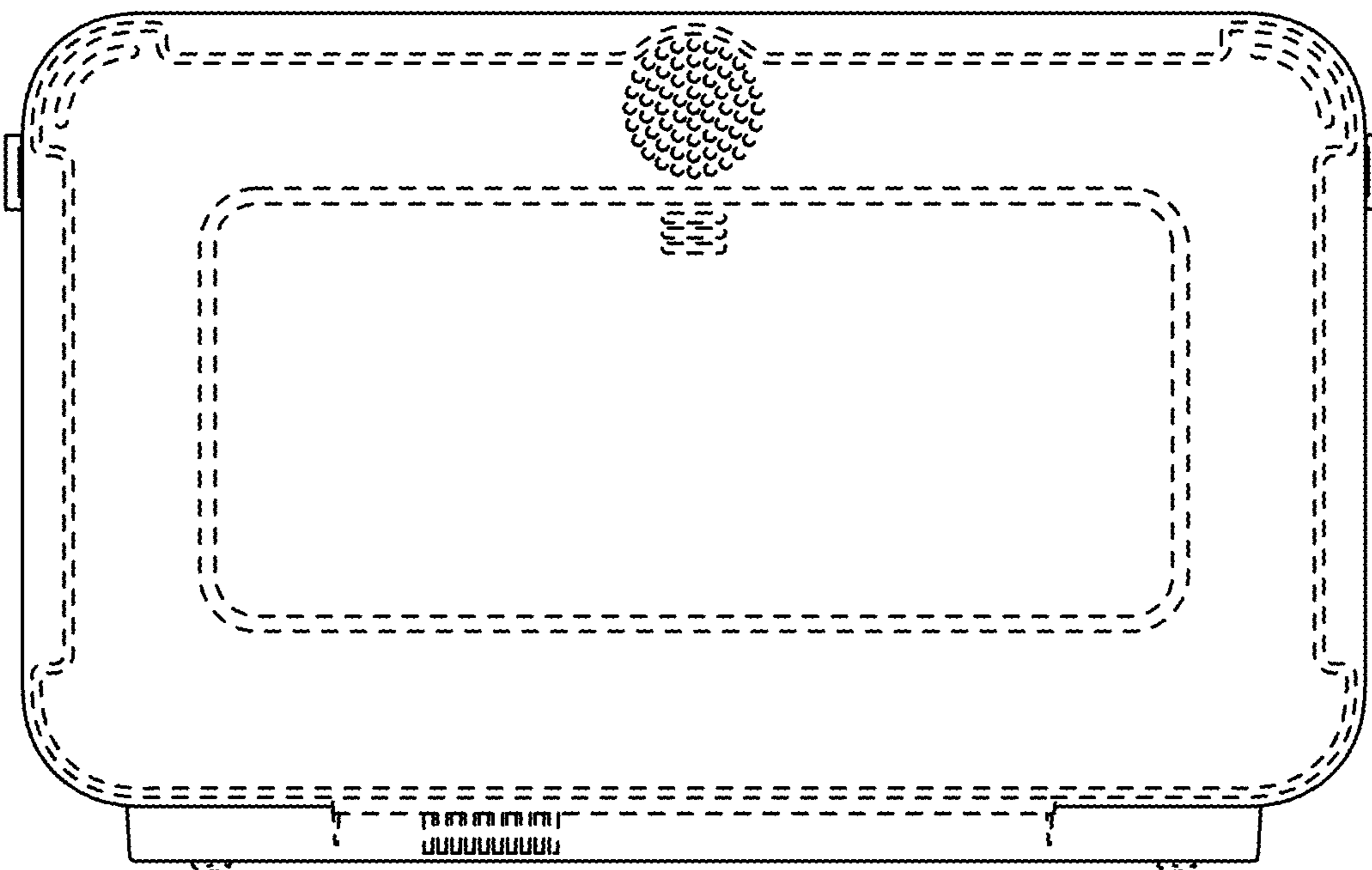


FIG. 12

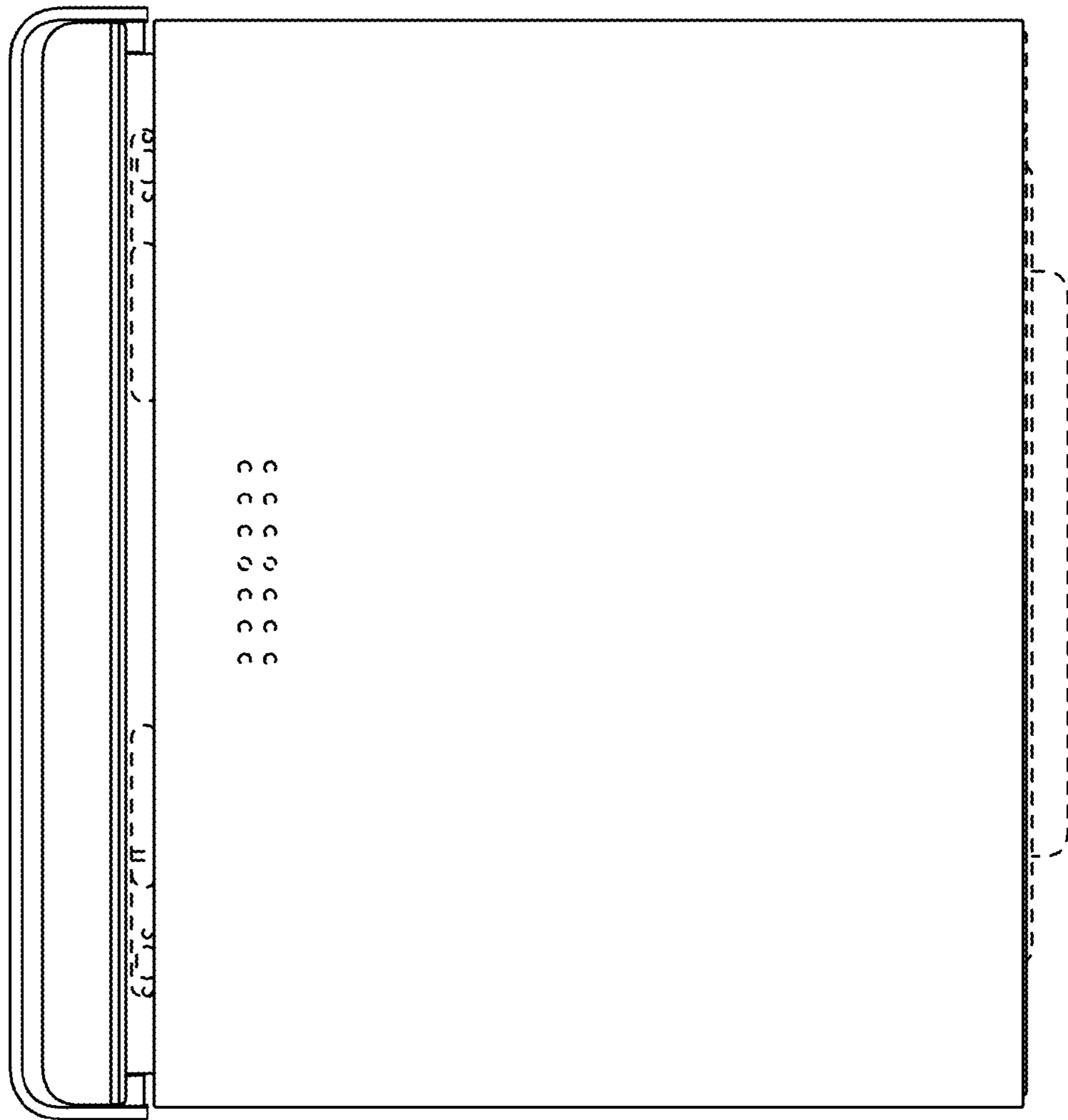


FIG. 13

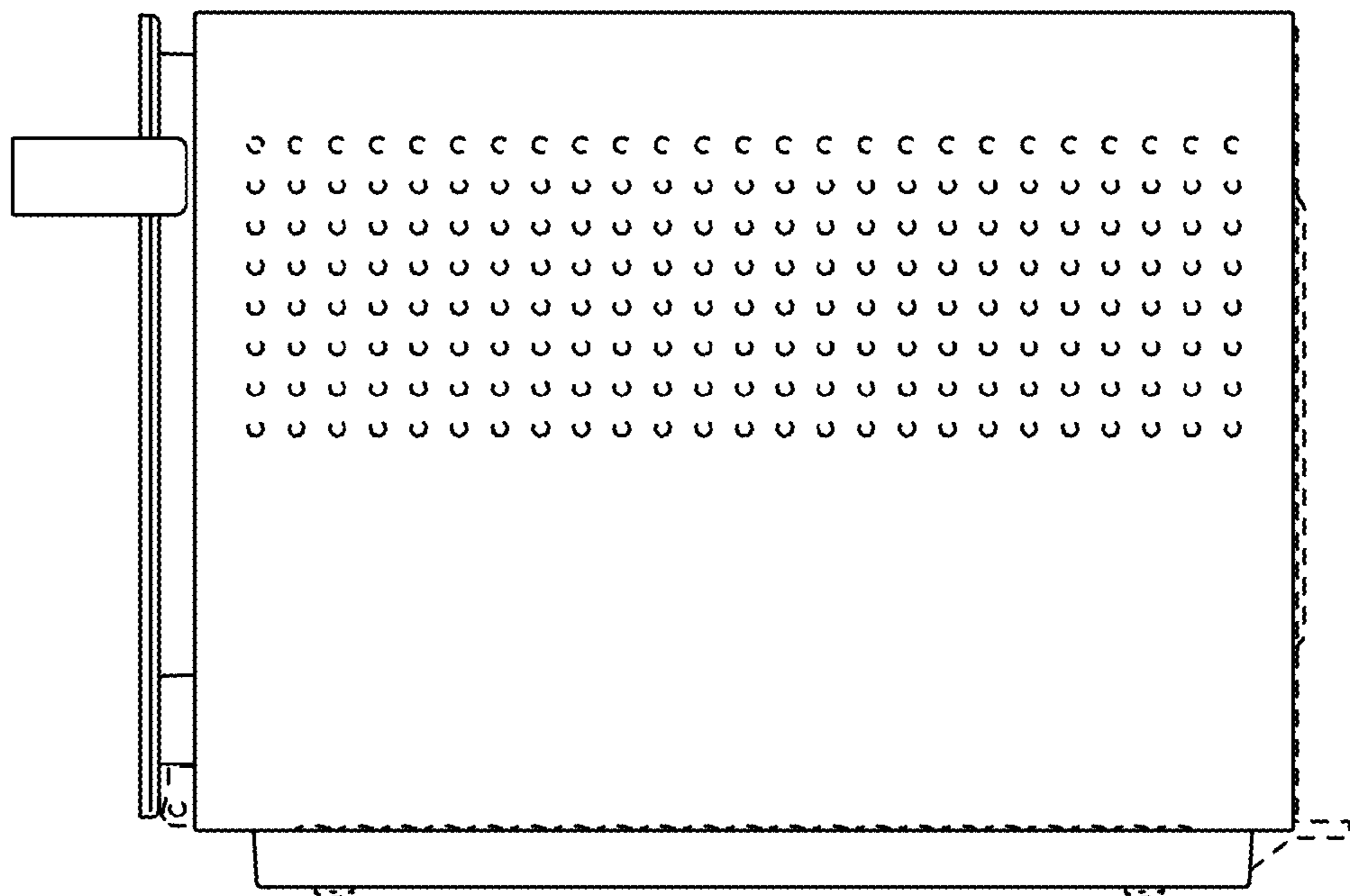


FIG. 14

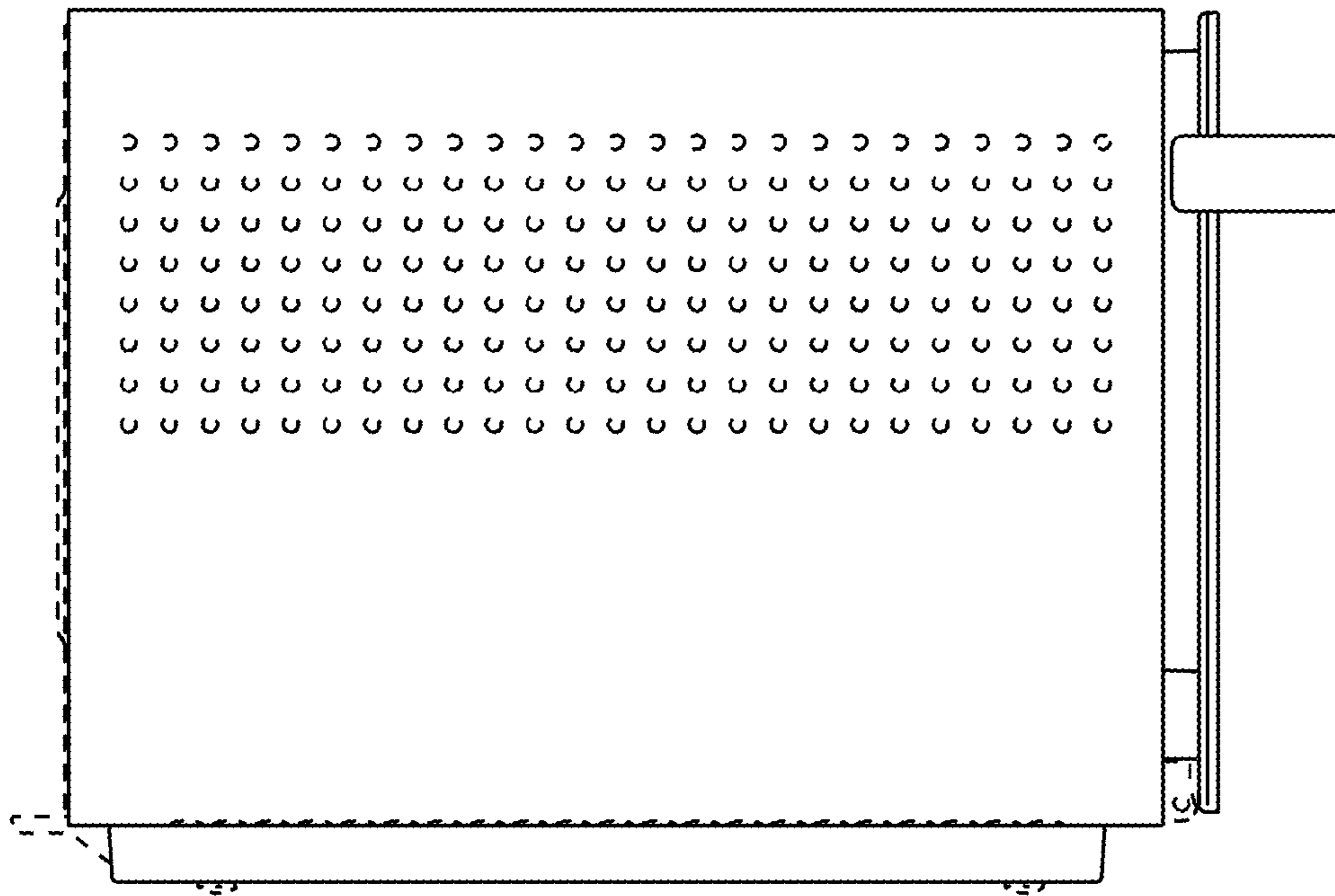


FIG. 15

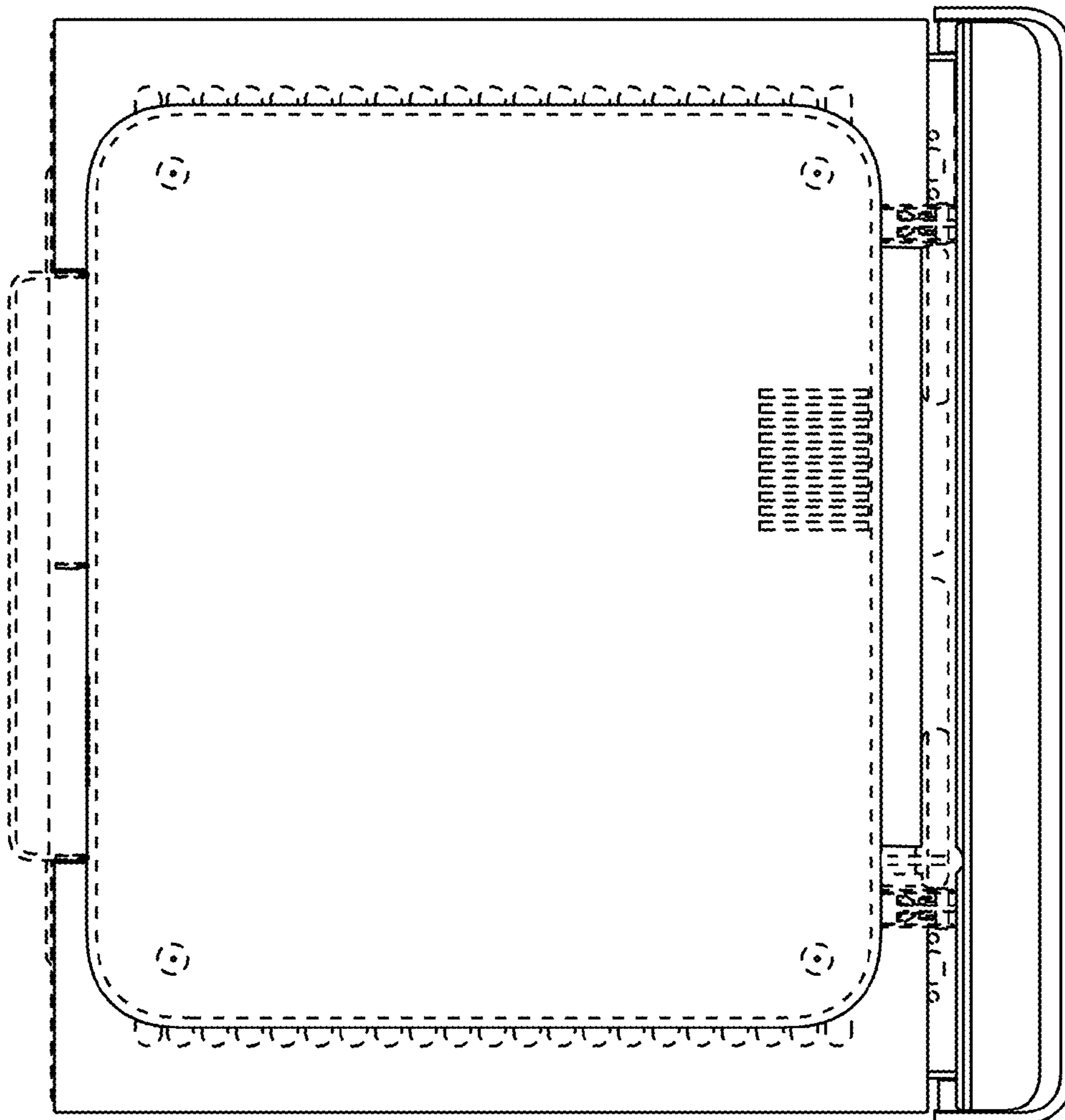


FIG. 16

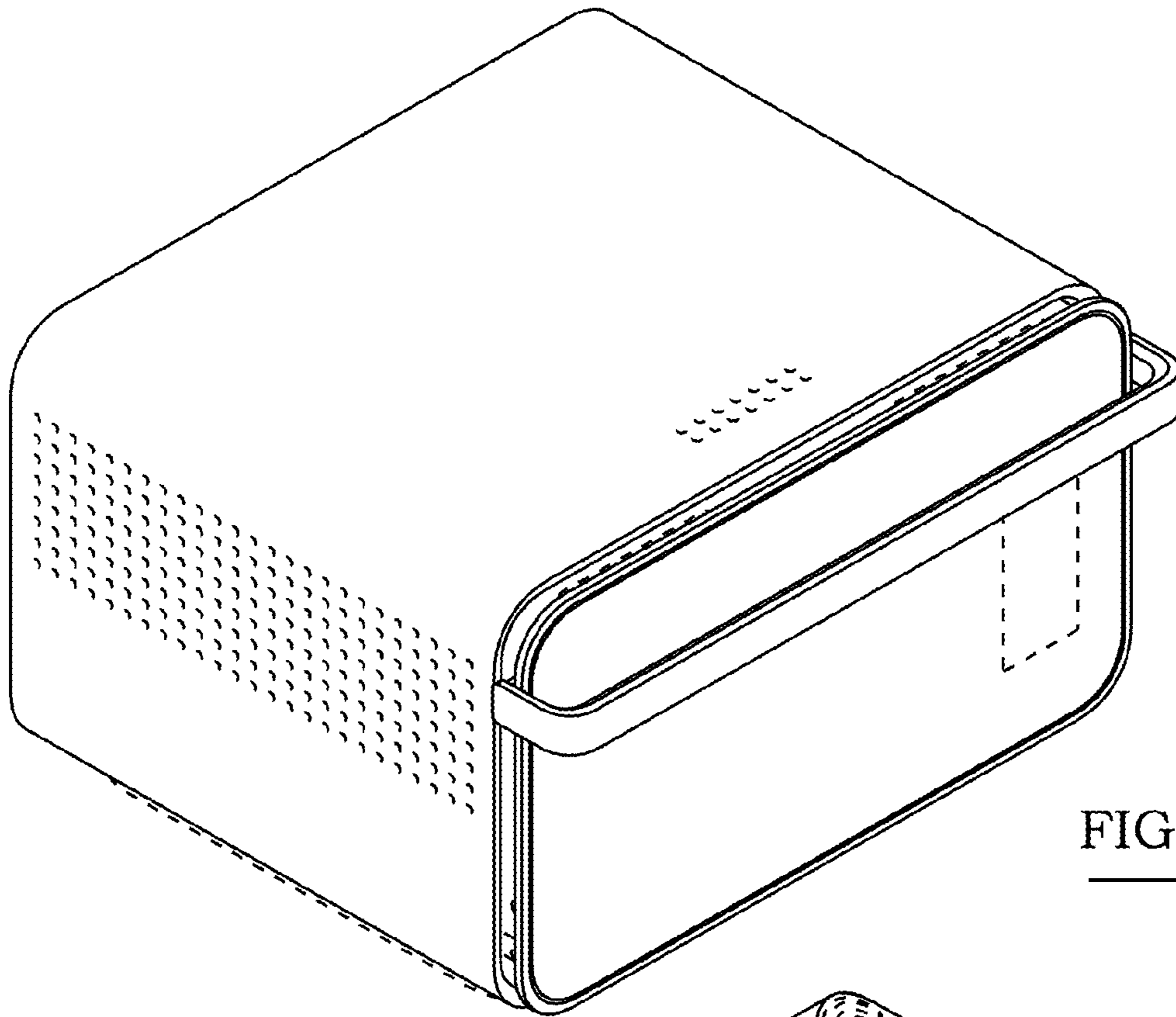


FIG. 17

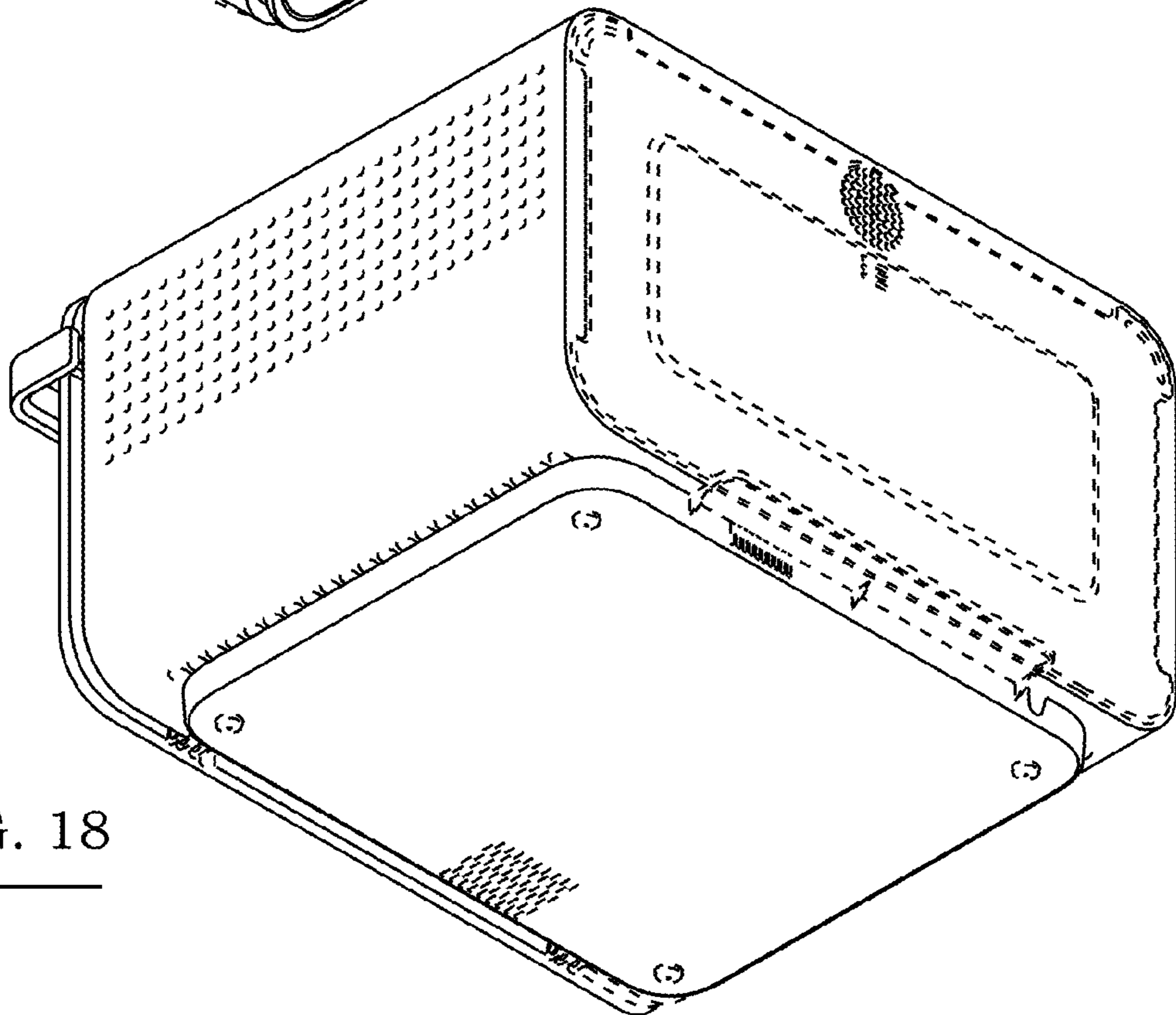


FIG. 18

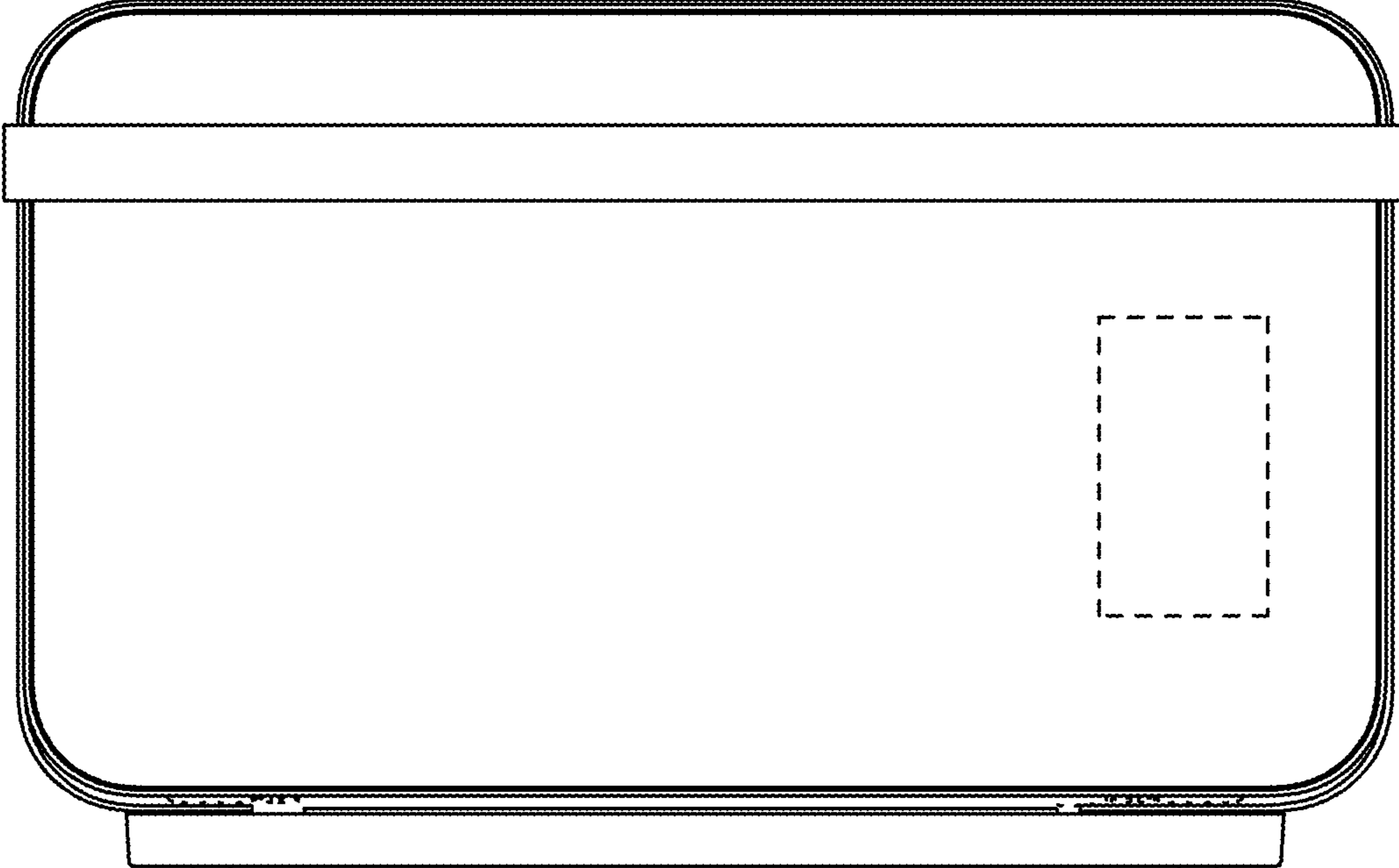


FIG. 19

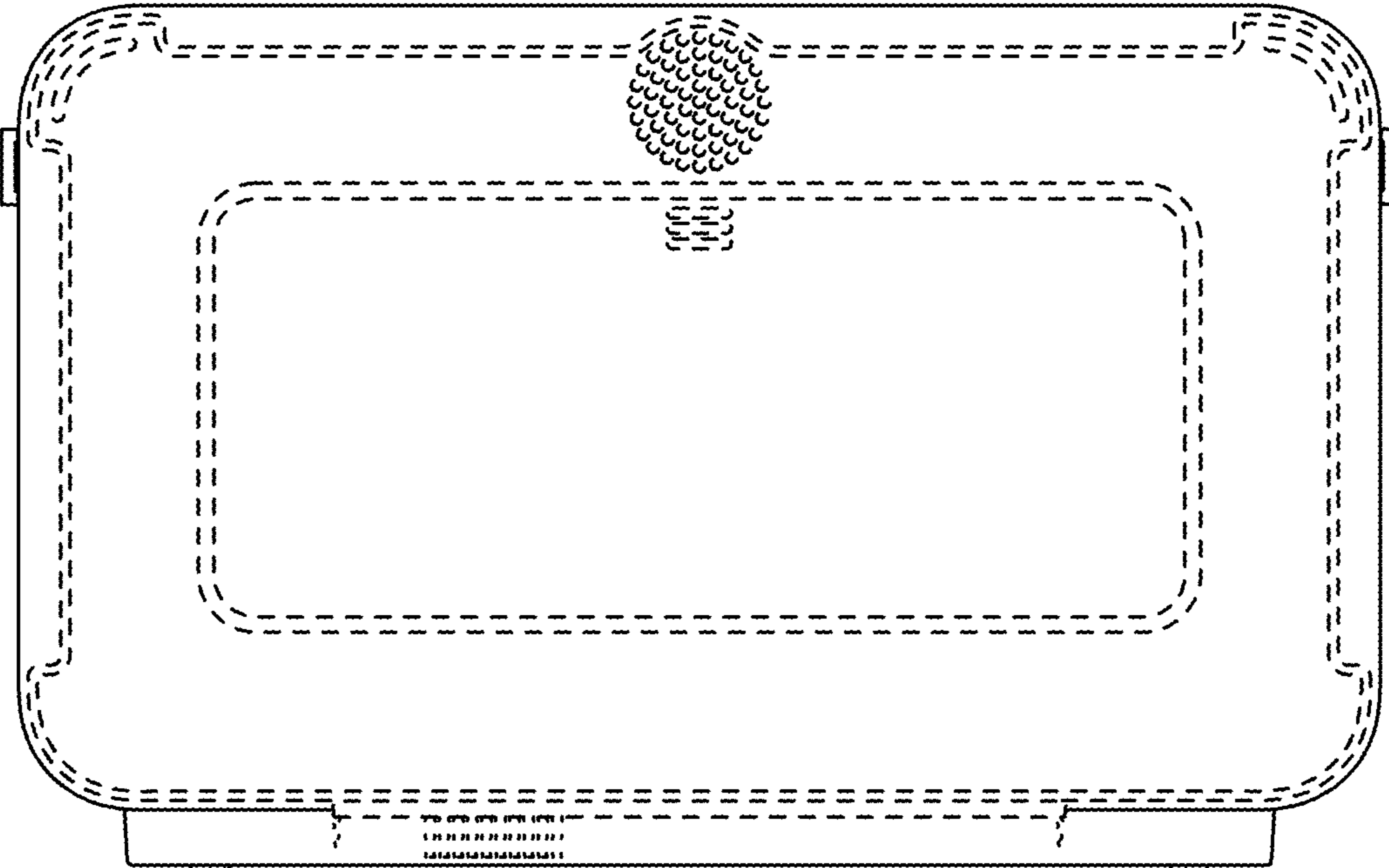


FIG. 20

FIG. 21

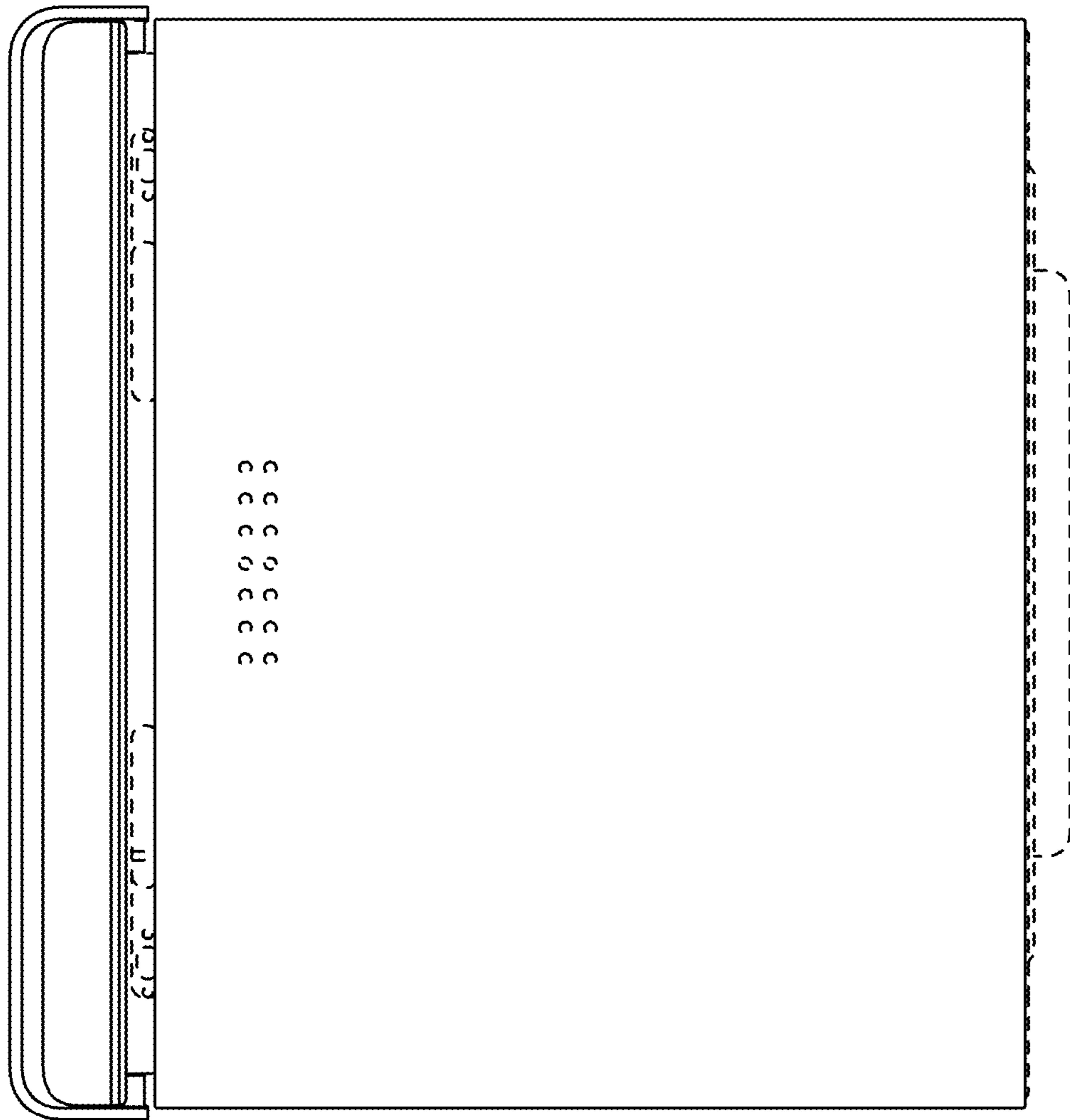
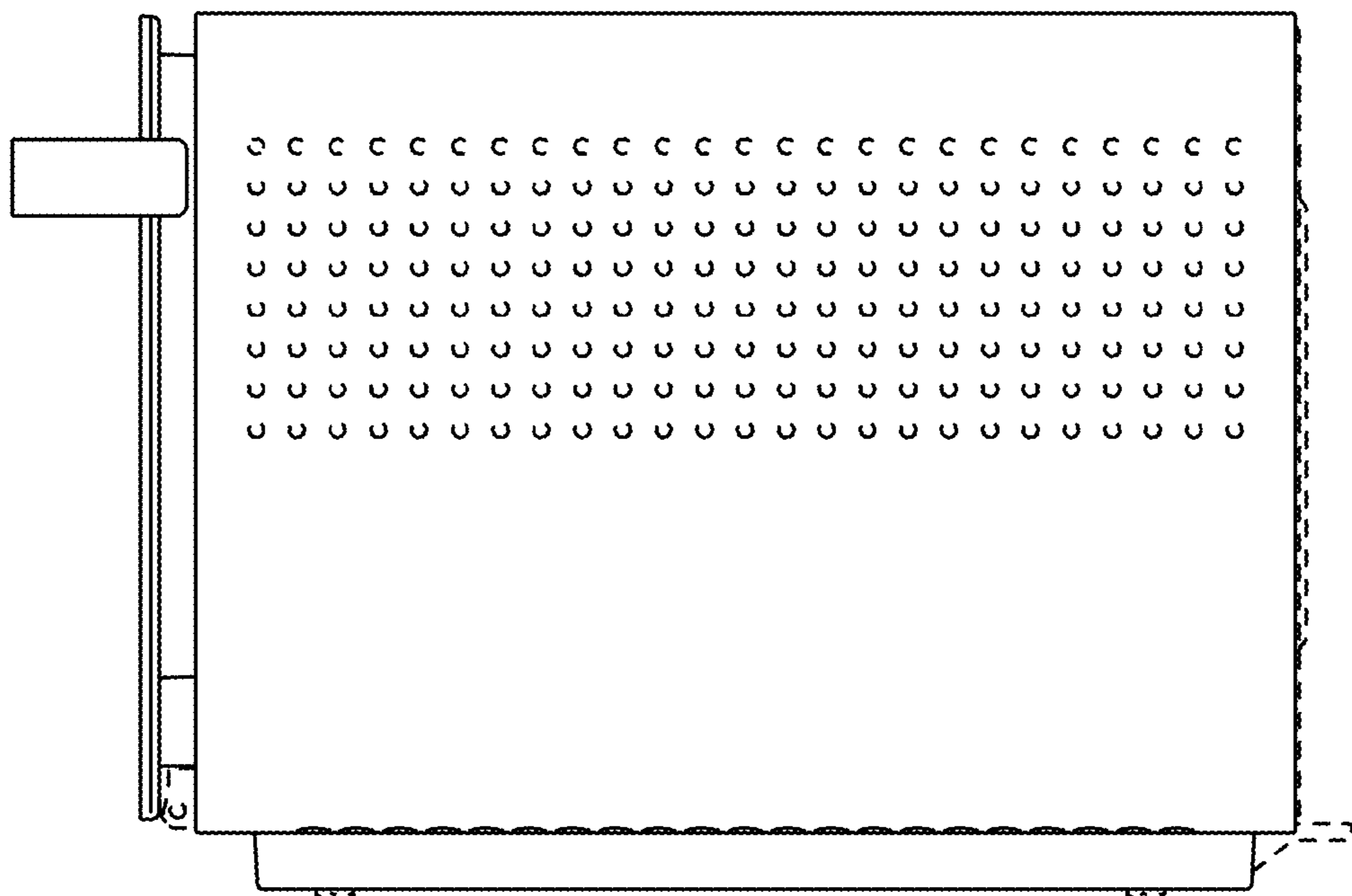


FIG. 22



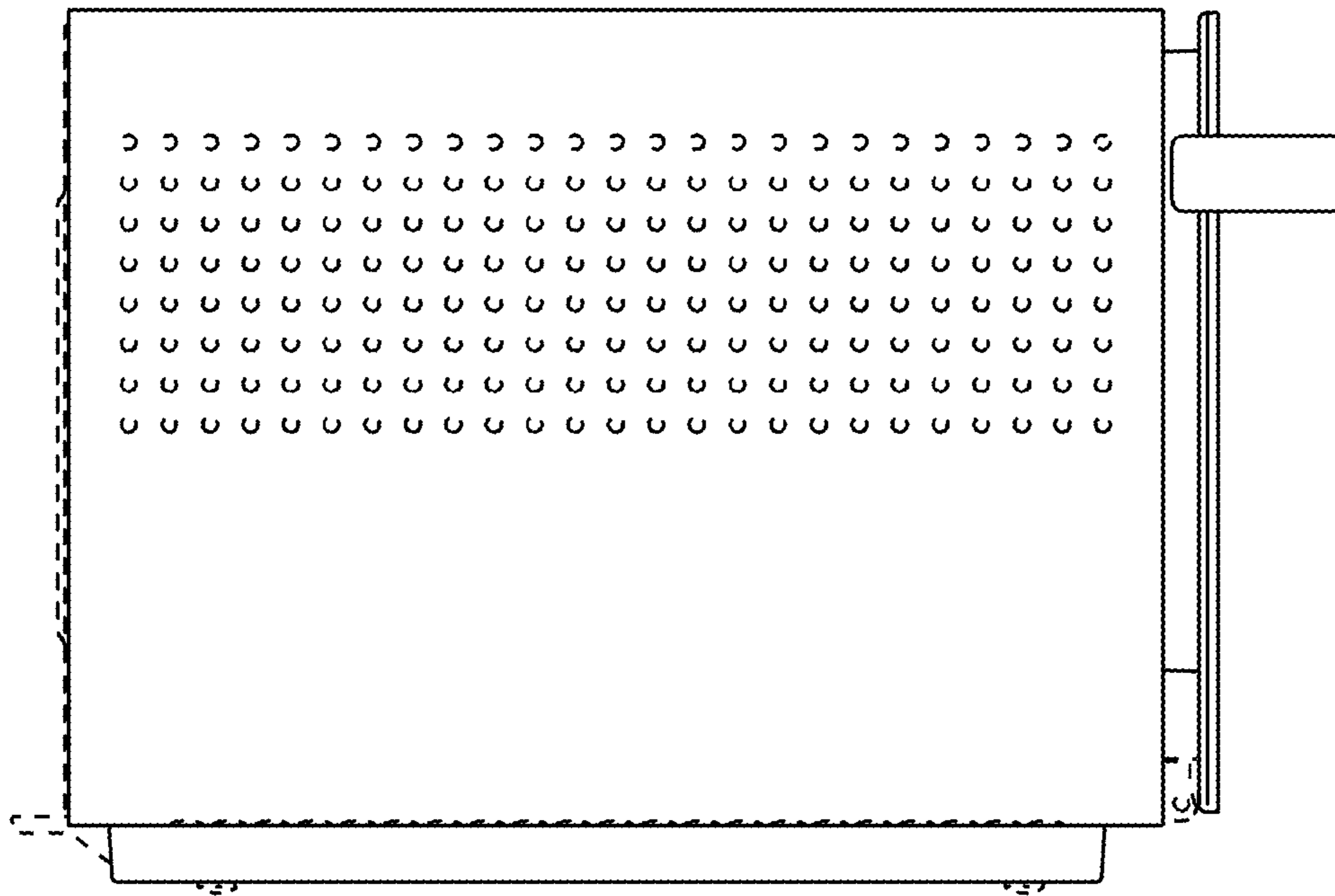


FIG. 23

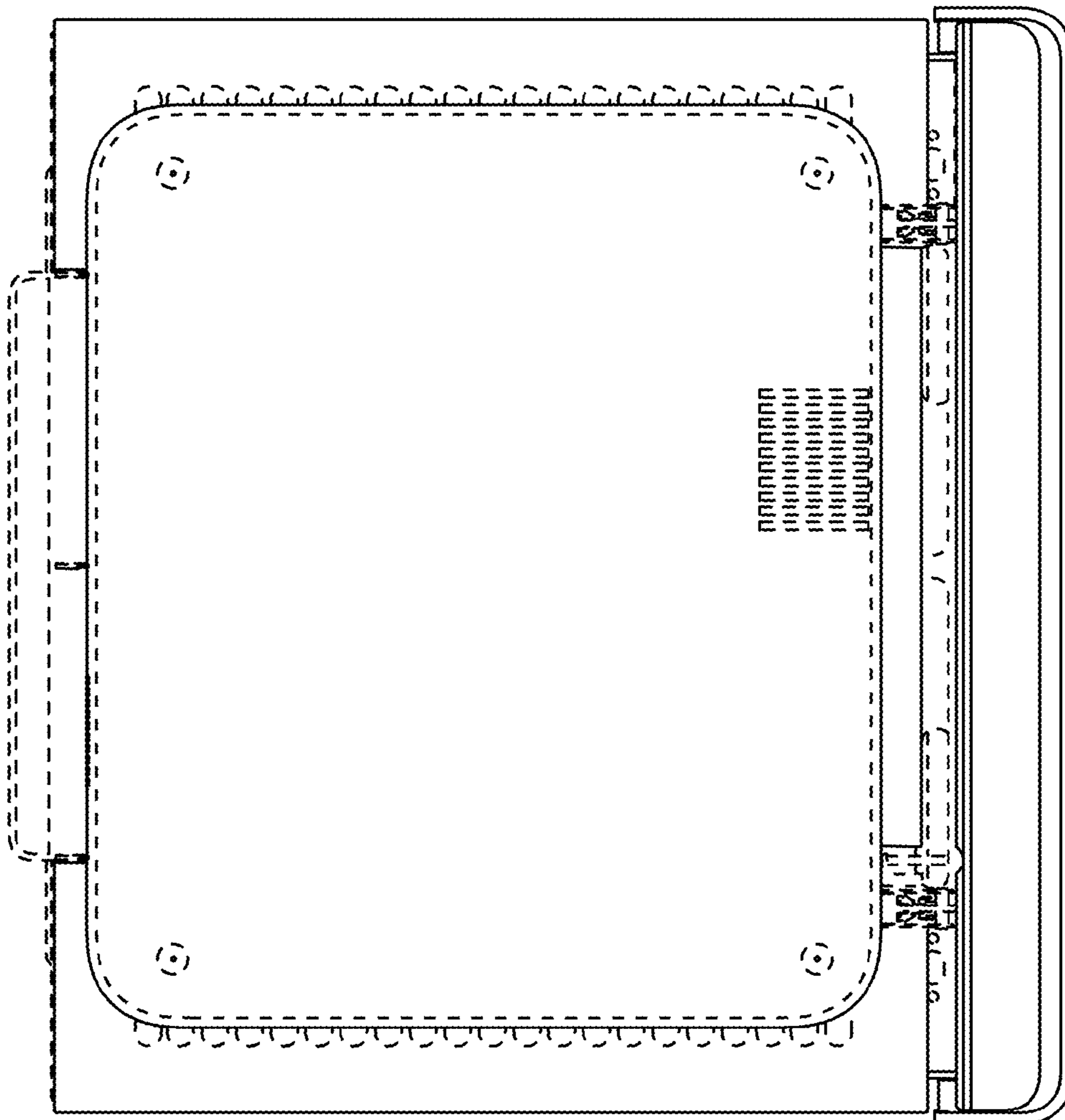


FIG. 24