



US00D878135S

(12) **United States Design Patent**  
**Bodum**

(10) **Patent No.:** **US D878,135 S**

(45) **Date of Patent:** **\*\* Mar. 17, 2020**

- (54) **COFFEE MAKER**
- (71) Applicant: **PI-Design AG**, Triengen (CH)
- (72) Inventor: **Jorgen Bodum**, Meggen (CH)
- (73) Assignee: **PI-Design AG**, Triengen (CH)
- (\*\*) Term: **15 Years**
- (21) Appl. No.: **29/661,697**
- (22) Filed: **Aug. 30, 2018**

D303,904 S *	10/1989	Wolfenden	.....	D7/317
5,190,643 A *	3/1993	Duncan	.....	A47J 31/605 116/297
D338,367 S *	8/1993	Fonville	.....	D7/316
D347,544 S *	6/1994	Horbochuk	.....	D7/316
D352,212 S *	11/1994	Burton	.....	D7/317
D388,275 S *	12/1997	Joergensen	.....	D7/317
D401,466 S *	11/1998	Joergensen	.....	D7/318
D401,467 S *	11/1998	Naft	.....	D7/318
D454,469 S *	3/2002	Jalet	.....	D7/316
D496,818 S *	10/2004	Bodum	.....	D7/317
D560,951 S *	2/2008	Appleton	.....	D7/317
D568,088 S *	5/2008	Maxwell	.....	D7/316
D663,155 S *	7/2012	Bodum	.....	D7/317

\* cited by examiner

- (30) **Foreign Application Priority Data**
- Mar. 28, 2018 (WO) ..... DM/100600
- (51) **LOC (12) Cl.** ..... **07-01**
- (52) **U.S. Cl.**
- USPC ..... **D7/318; D7/317**
- (58) **Field of Classification Search**
- USPC ..... D7/598, 312, 317, 316, 318, 319, 300;  
D11/153, 146
- CPC ..... A47G 19/22; A47G 19/16; A47G 19/12;  
A47J 41/0094
- See application file for complete search history.

*Primary Examiner* — Marianne N Pandozzi  
 (74) *Attorney, Agent, or Firm* — McDonnell Boehnen  
 Hulbert & Berghoff LLP

(57) **CLAIM**

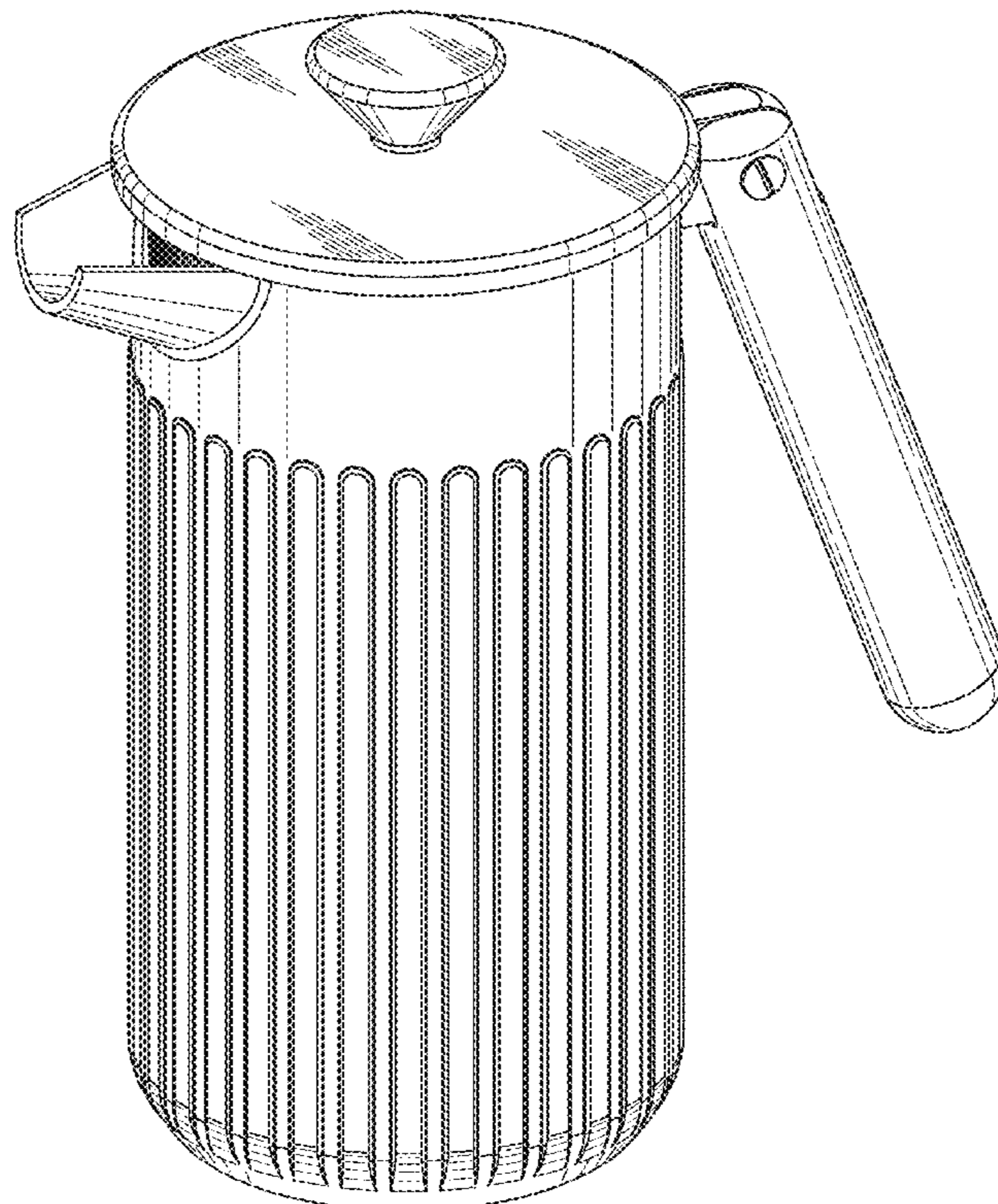
The ornamental design for a coffee maker, as shown and described.

**DESCRIPTION**

FIG. 1 is a perspective view of a coffee maker showing my new design;  
 FIG. 2 is a front view thereof;  
 FIG. 3 is a rear view thereof;  
 FIG. 4 is a left side view thereof;  
 FIG. 5 is a right side view thereof;  
 FIG. 6 is a top view thereof; and,  
 FIG. 7 is a bottom view thereof.

- (56) **References Cited**
- U.S. PATENT DOCUMENTS
- D269,317 S \* 6/1983 Pozzi ..... D7/317
- D296,973 S \* 8/1988 Pozzi ..... D7/317
- 4,776,956 A \* 10/1988 Gannaway ..... B01D 35/027  
210/282

**1 Claim, 7 Drawing Sheets**



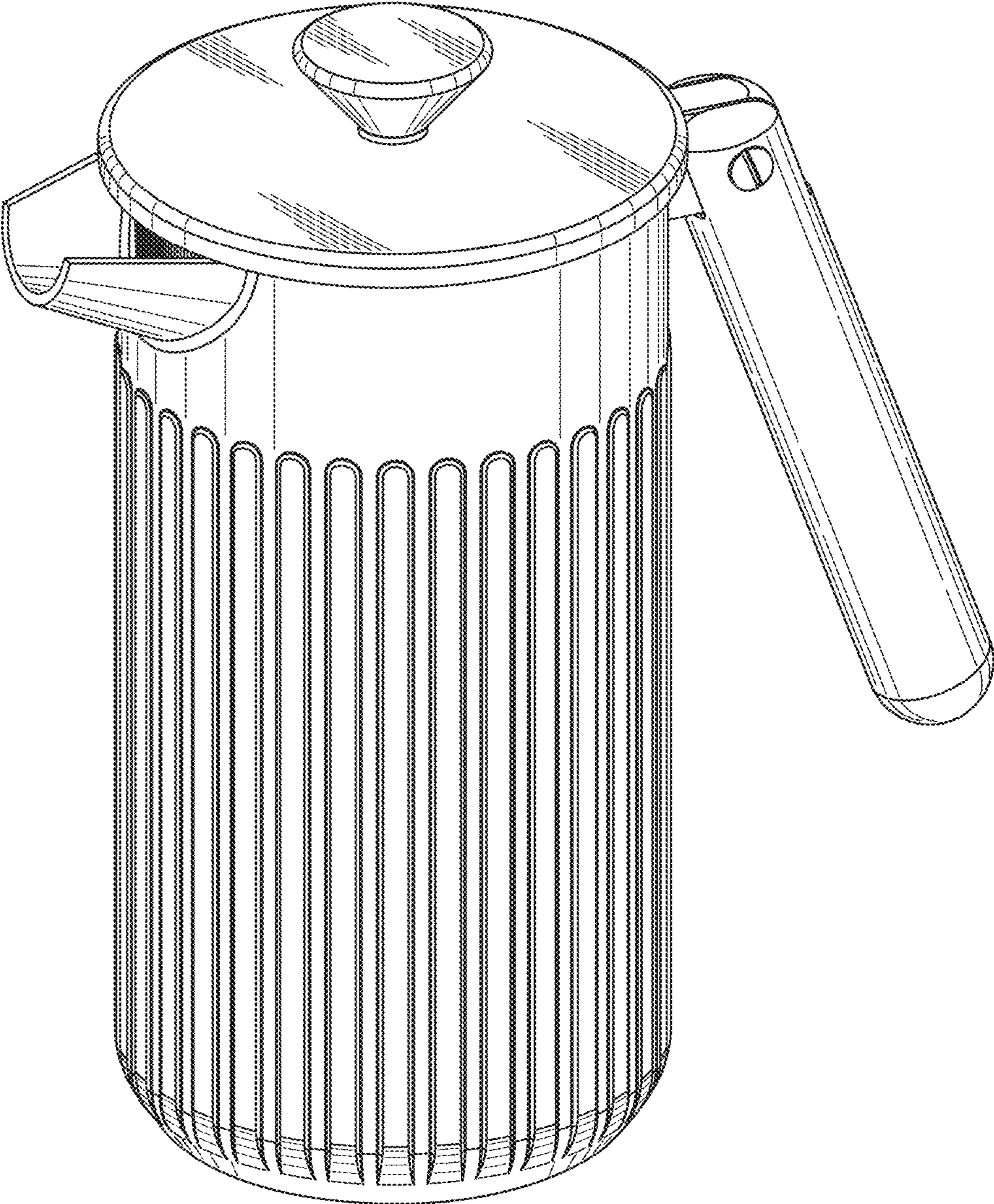


FIG. 1



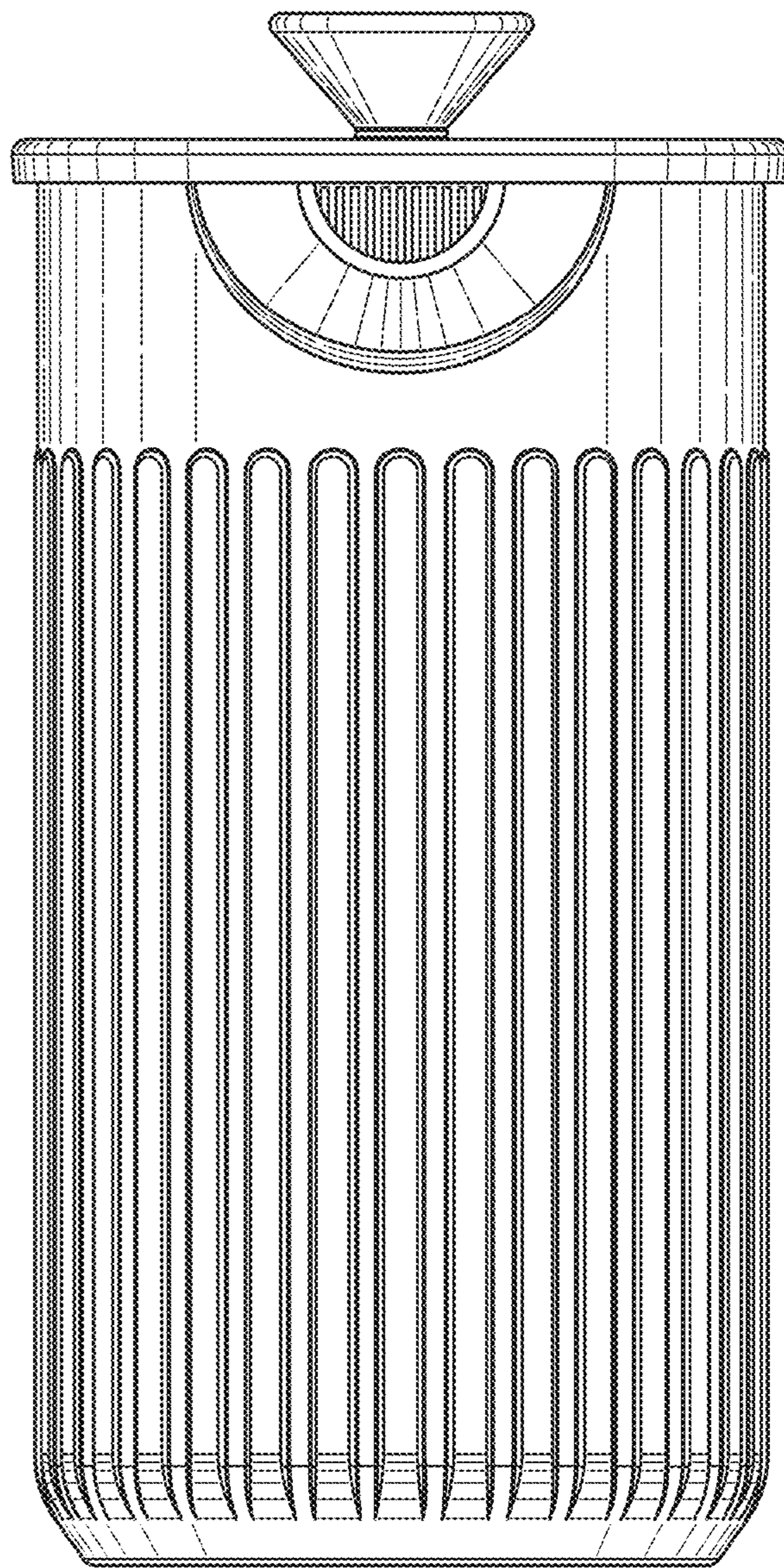


FIG. 2

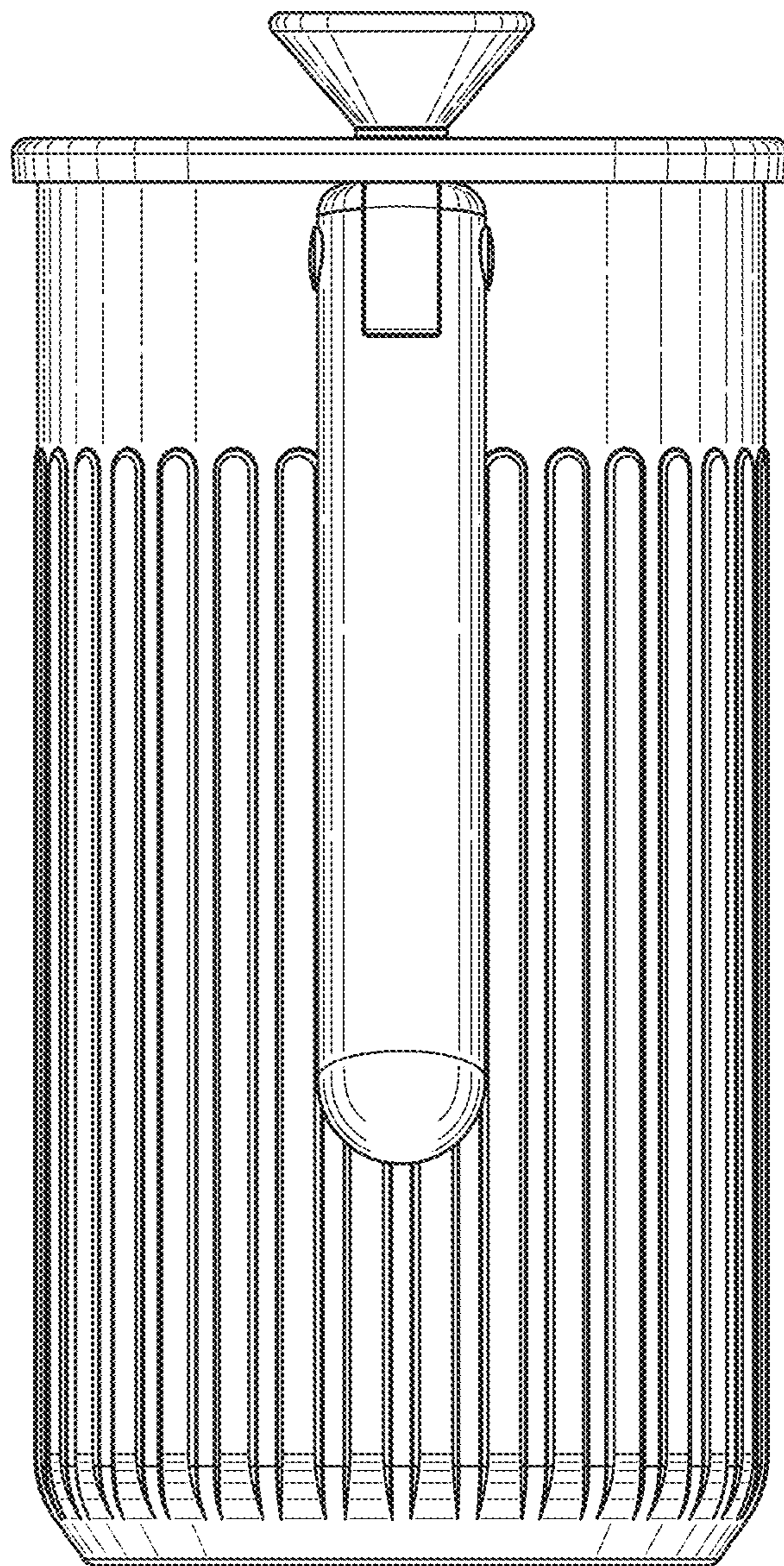


FIG. 3



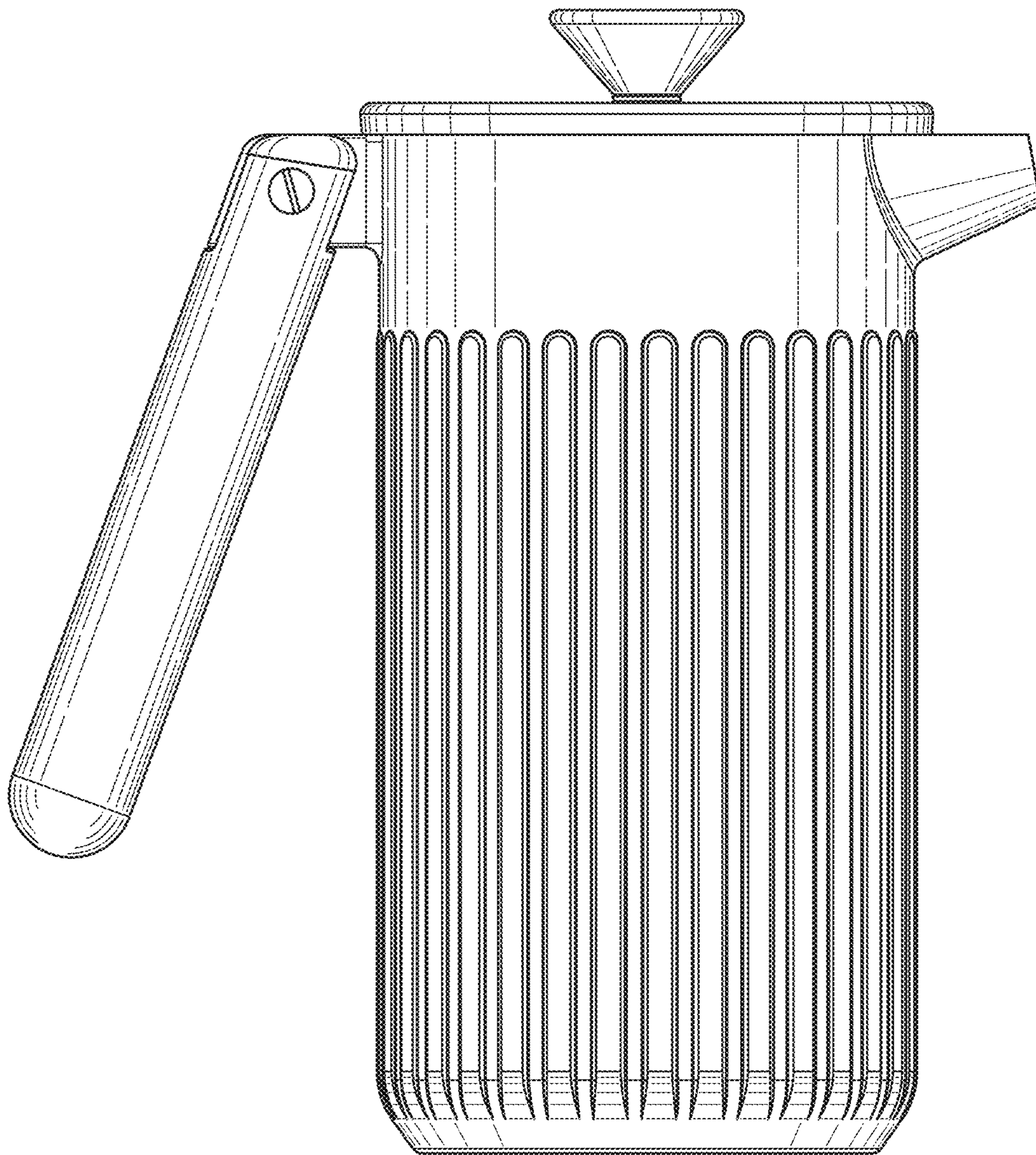


FIG. 4

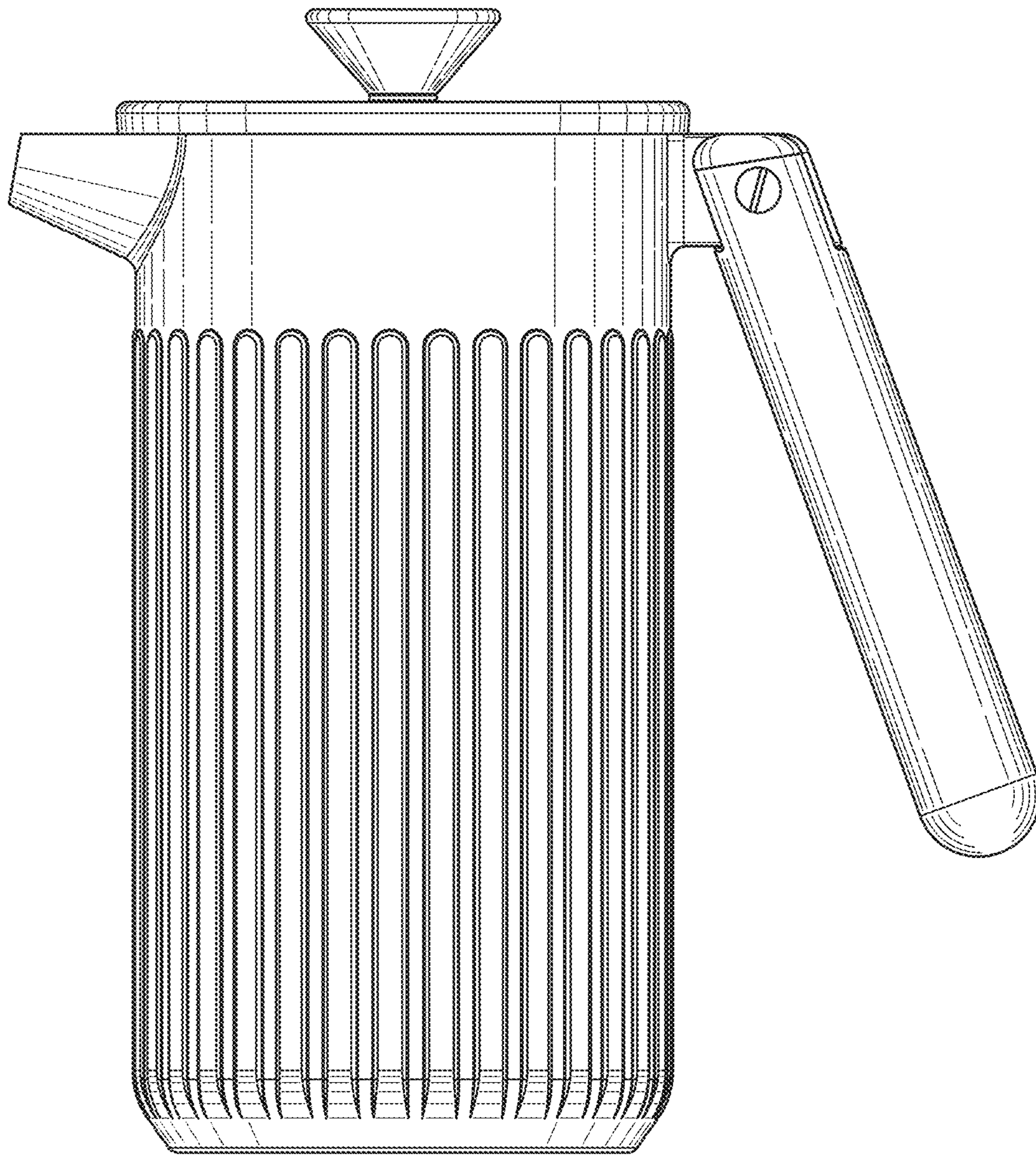


FIG. 5



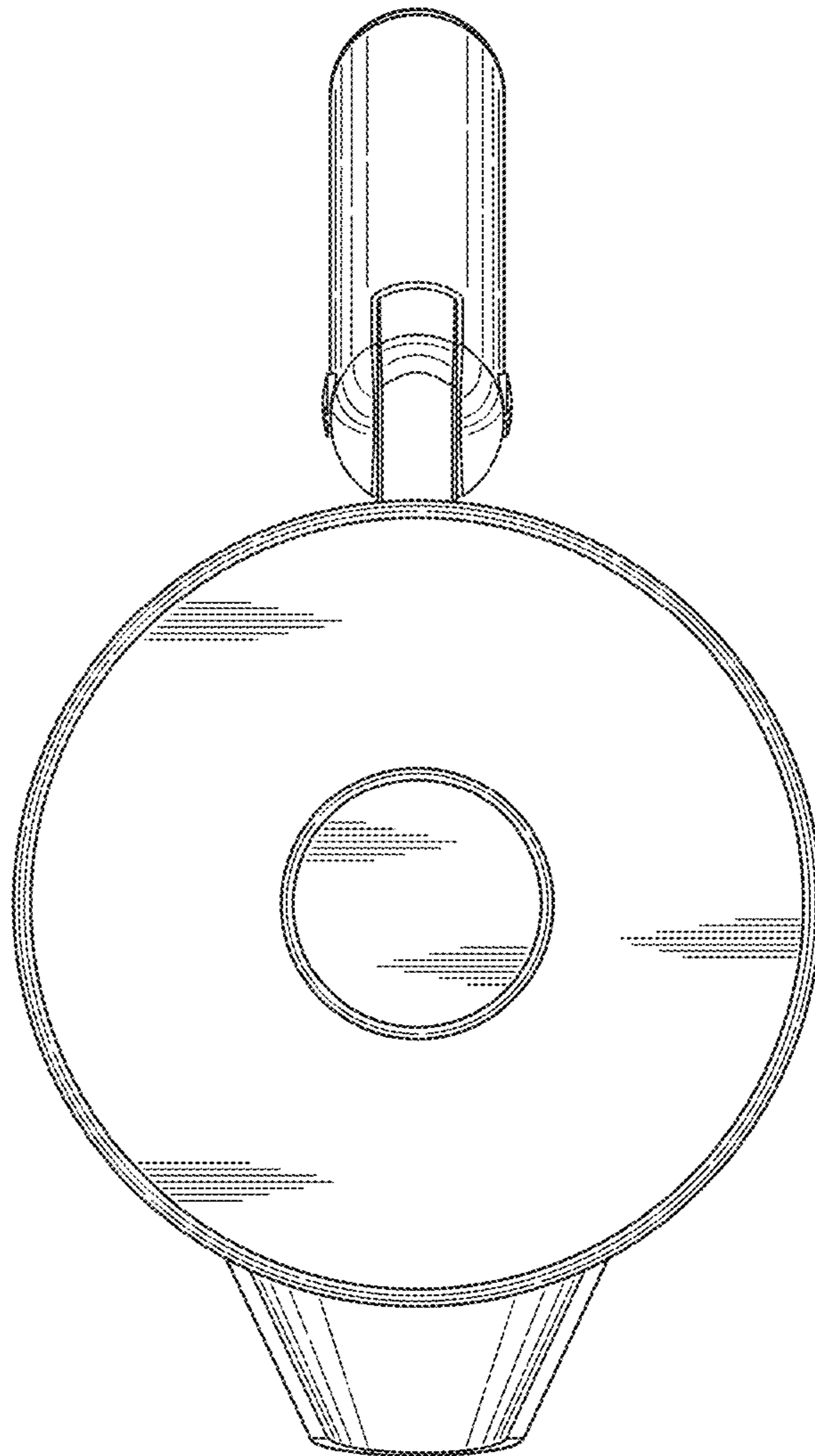


FIG. 6

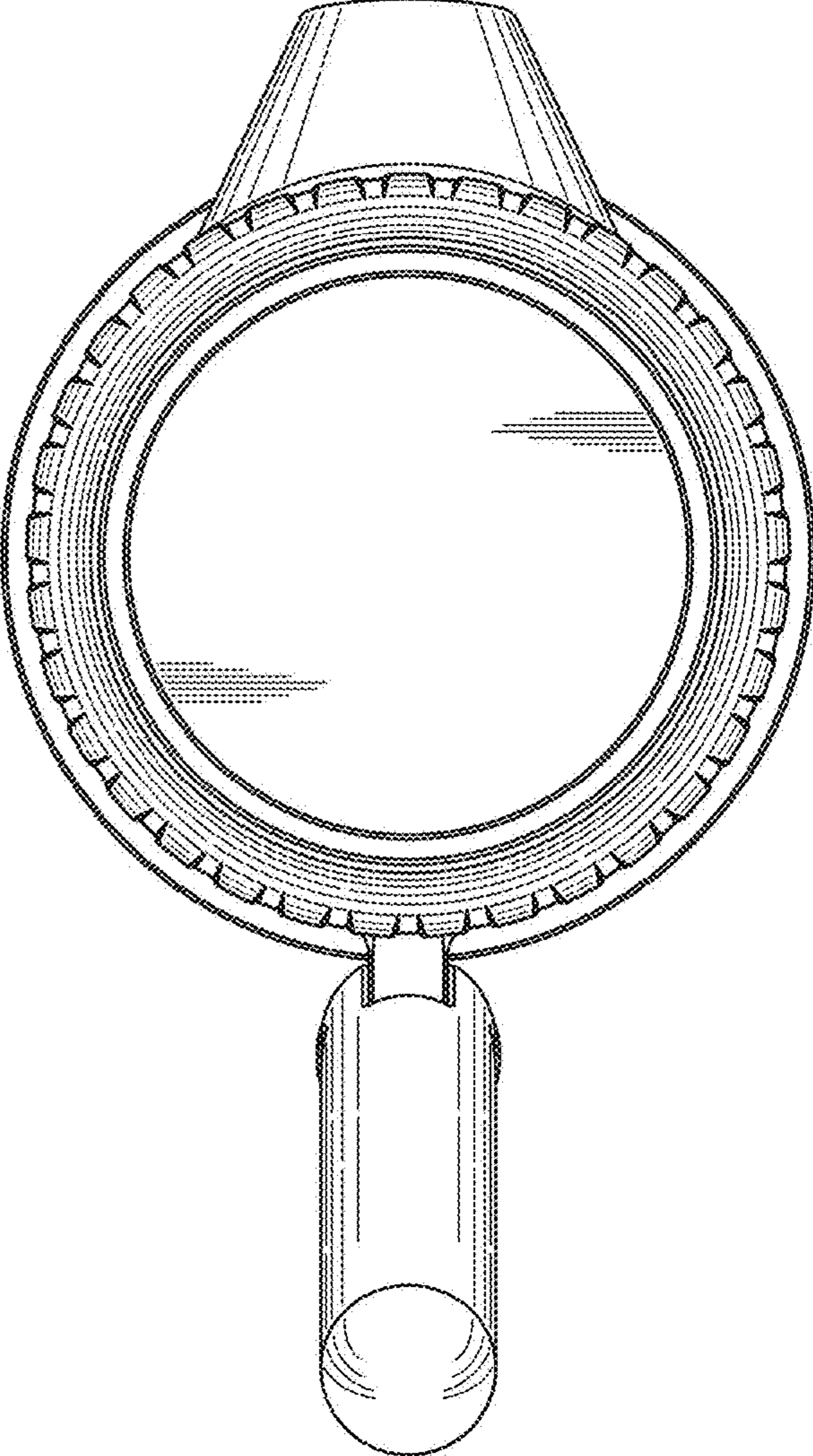


FIG. 7