



US00D878134S

(12) **United States Design Patent** (10) **Patent No.:** **US D878,134 S**
Rubin (45) **Date of Patent:** **** Mar. 17, 2020**

(54) **BEVERAGE DISPENSER**
(71) Applicant: **BHRS GROUP**, Lakewood, NJ (US)
(72) Inventor: **Jonathan Rubin**, Lakewood, NJ (US)
(73) Assignee: **BHRS GROUP**, Lakewood, NJ (US)
(**) Term: **15 Years**
(21) Appl. No.: **29/654,478**
(22) Filed: **Jun. 25, 2018**
(51) **LOC (12) Cl.** **07-01**
(52) **U.S. Cl.**
USPC **D7/313**; D7/306
(58) **Field of Classification Search**
USPC D7/301, 306-308, 313, 300, 397;
D23/207; 99/275; 222/146.1-146.6,
222/185.1
CPC B67D 1/06; B67D 3/0009; B67D 1/0835;
B67D 3/0032; B67D 3/04
See application file for complete search history.

D643,666 S * 8/2011 Yui D7/307
D643,667 S * 8/2011 Yui D7/307
D643,668 S * 8/2011 Yui D7/307
D647,354 S * 10/2011 Wang D7/306
D651,842 S * 1/2012 Spear D7/306
D660,636 S * 5/2012 Wang D7/306
D714,580 S * 10/2014 Moon D7/307
D787,250 S * 5/2017 Walton D7/306
D828,709 S * 9/2018 Wang D7/307
D851,447 S * 6/2019 Walton D7/397
2015/0101968 A1* 4/2015 Yoon C02F 1/325
210/97
2017/0057802 A1* 3/2017 Lee B67D 1/0085
2019/0000046 A1* 1/2019 Wu A01K 1/0356

* cited by examiner

Primary Examiner — Marianne N Pandozzi
(74) *Attorney, Agent, or Firm* — Epstein Drangel LLP;
Robert L. Epstein

(57) **CLAIM**

The ornamental design for a beverage dispenser, substantially as shown and described.

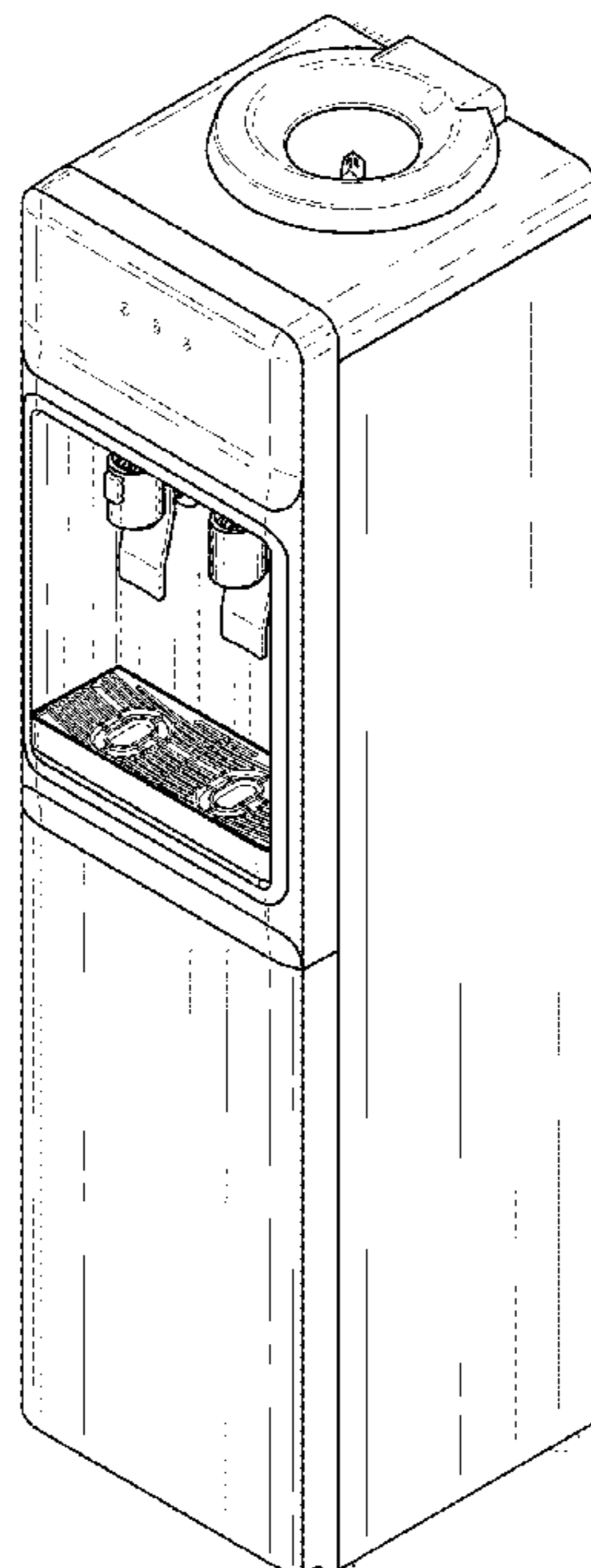
DESCRIPTION

FIG. 1 is a top perspective view of a beverage dispenser showing my new design;
FIG. 2 is bottom perspective view thereof;
FIG. 3 is a front elevation view thereof;
FIG. 4 is a rear elevation view thereof;
FIG. 5 is a left side elevation view thereof;
FIG. 6 is a right side elevation view thereof;
FIG. 7 is a top plan view thereof; and,
FIG. 8 is a bottom plan view thereof.
The broken lines in the figures indicate parts of the beverage dispenser which are not part of the claimed design.

1 Claim, 5 Drawing Sheets

(56) **References Cited**
U.S. PATENT DOCUMENTS

D322,534 S * 12/1991 Chaney D7/306
5,528,810 A * 6/1996 Eddy B67D 3/00
29/401.1
D399,088 S * 10/1998 Chaney D7/307
5,927,557 A * 7/1999 Busick B67D 3/04
222/185.1
6,029,860 A * 2/2000 Donselman B67D 3/00
141/363
D557,970 S * 12/2007 Asbridge D7/307
D608,130 S * 1/2010 Moon D7/306
D643,239 S * 8/2011 Wang D7/306
D643,240 S * 8/2011 Yui D7/307



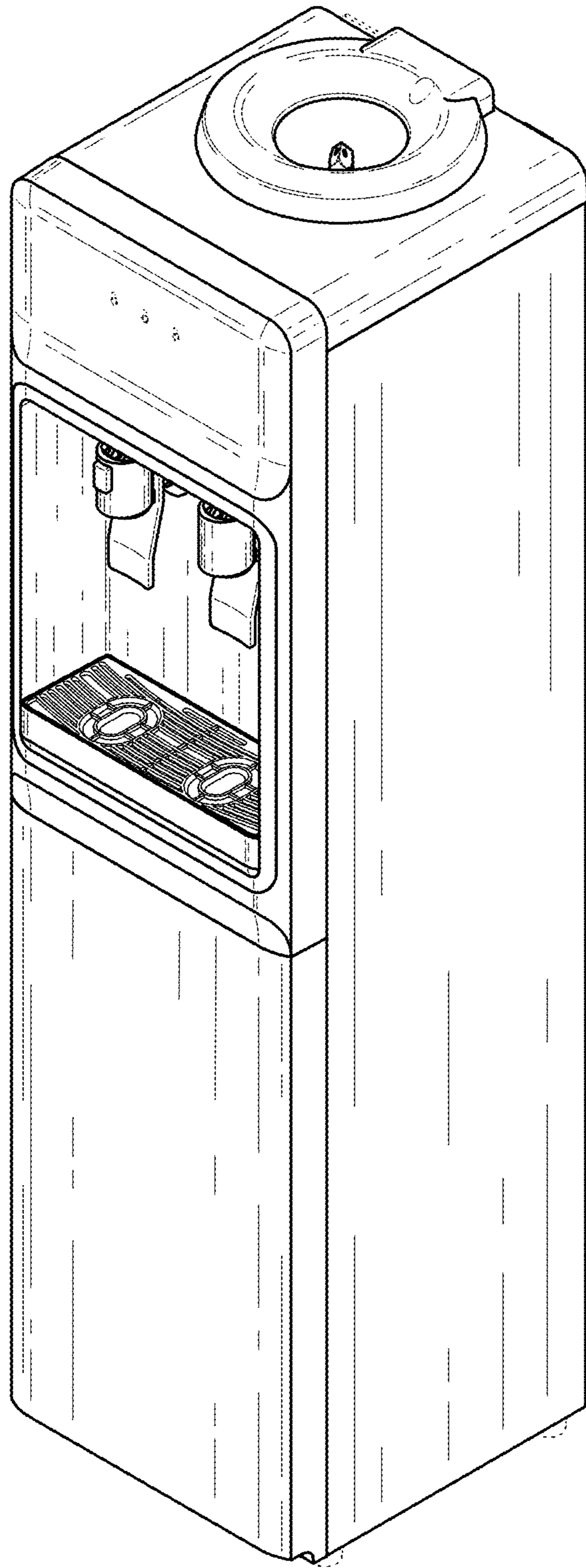


FIG. 1

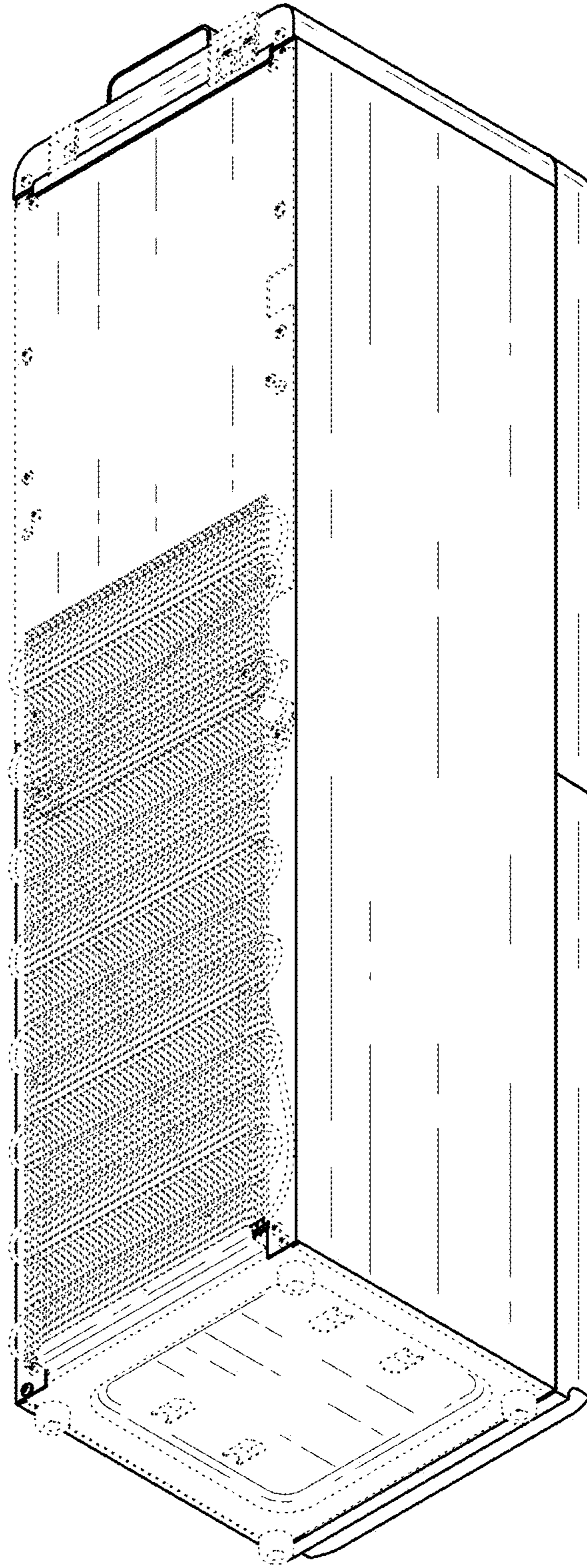


FIG. 2

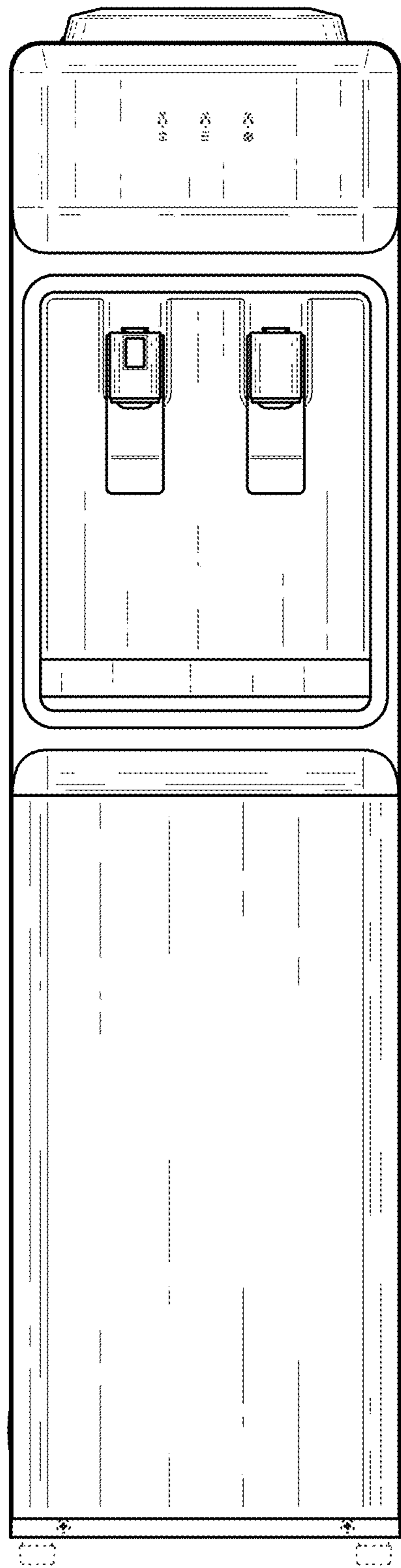


FIG. 3

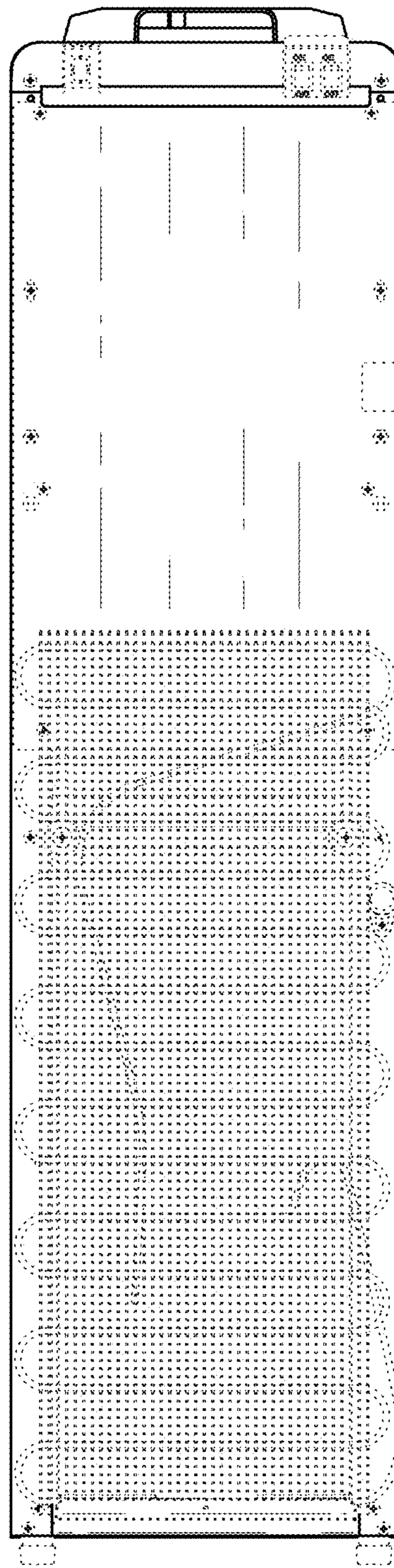


FIG. 4

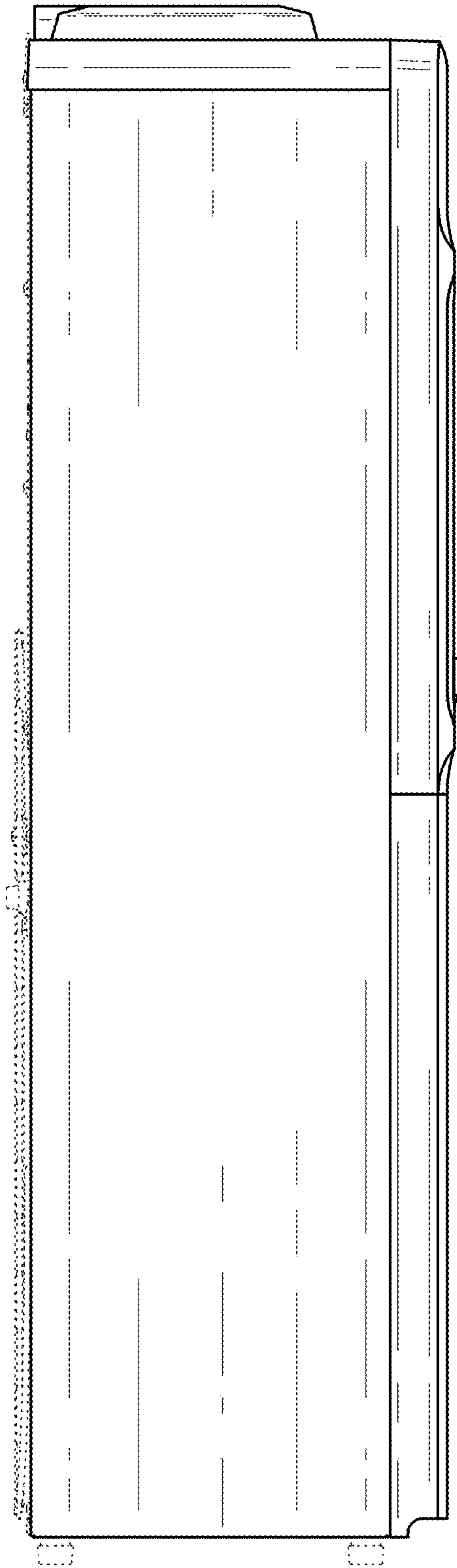


FIG. 5

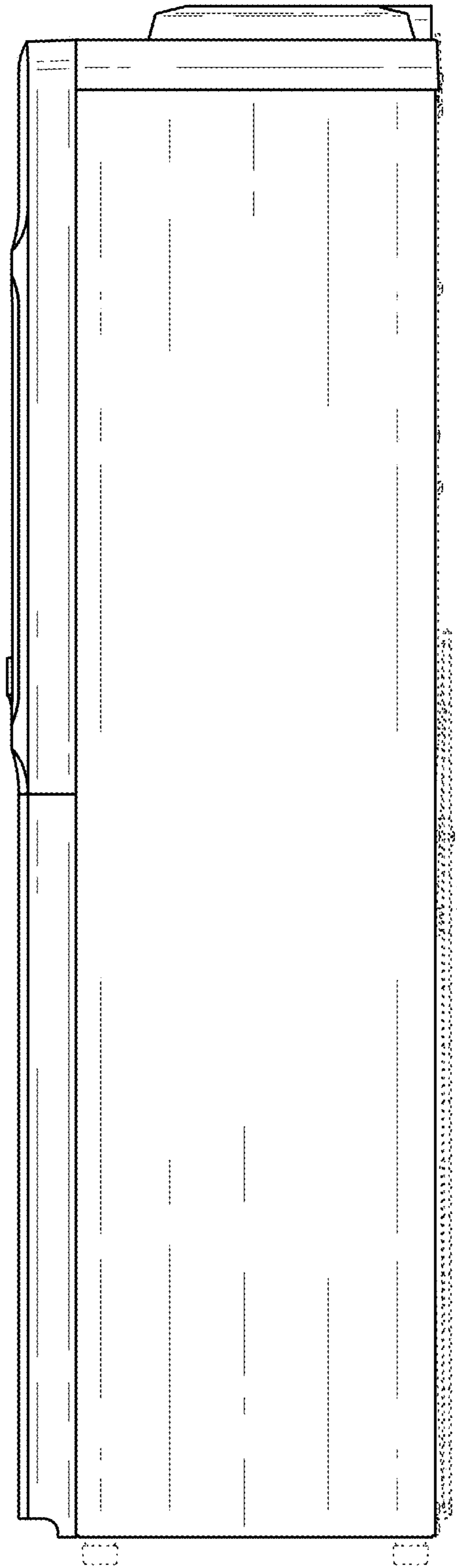


FIG. 6

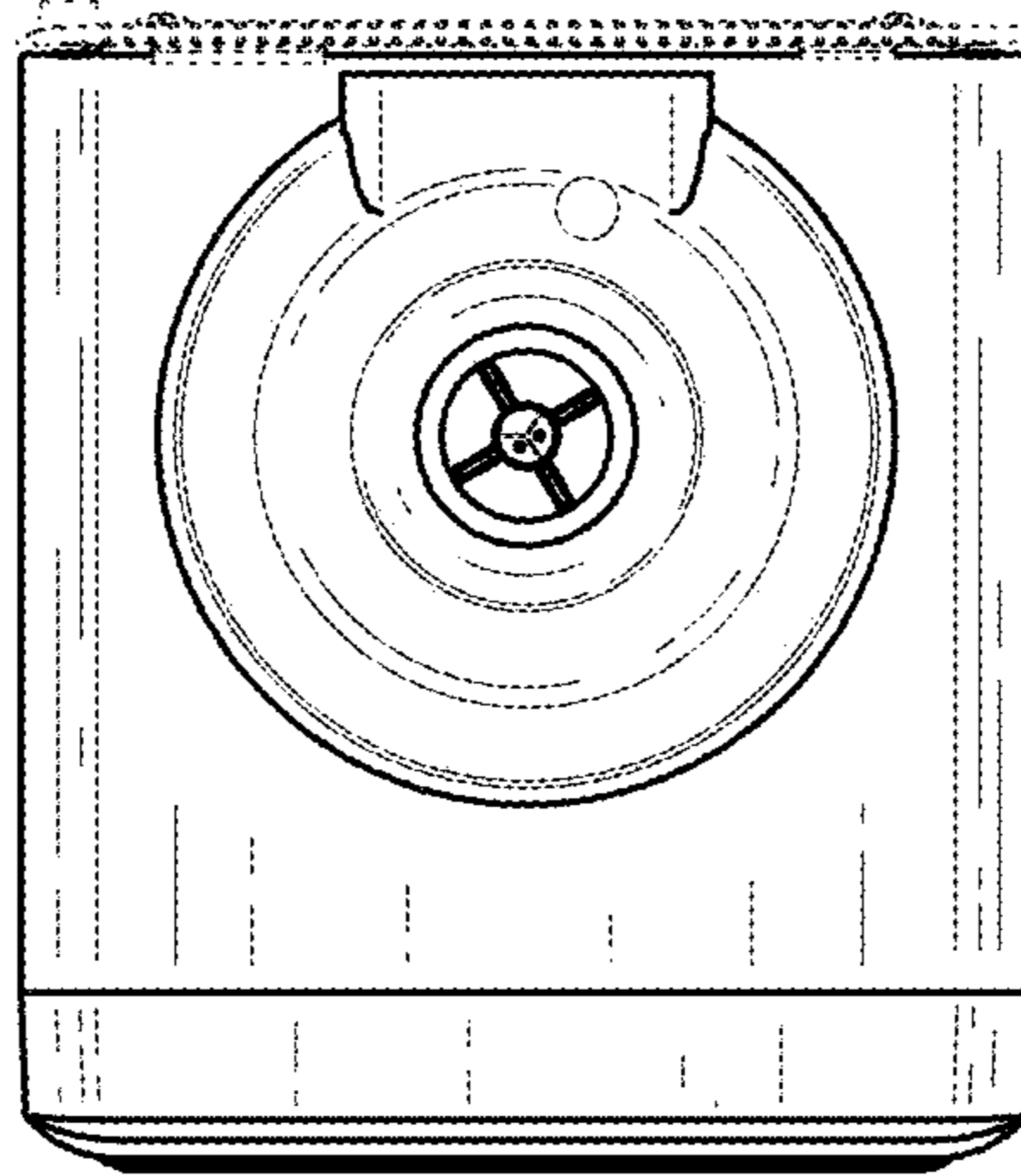


FIG. 7

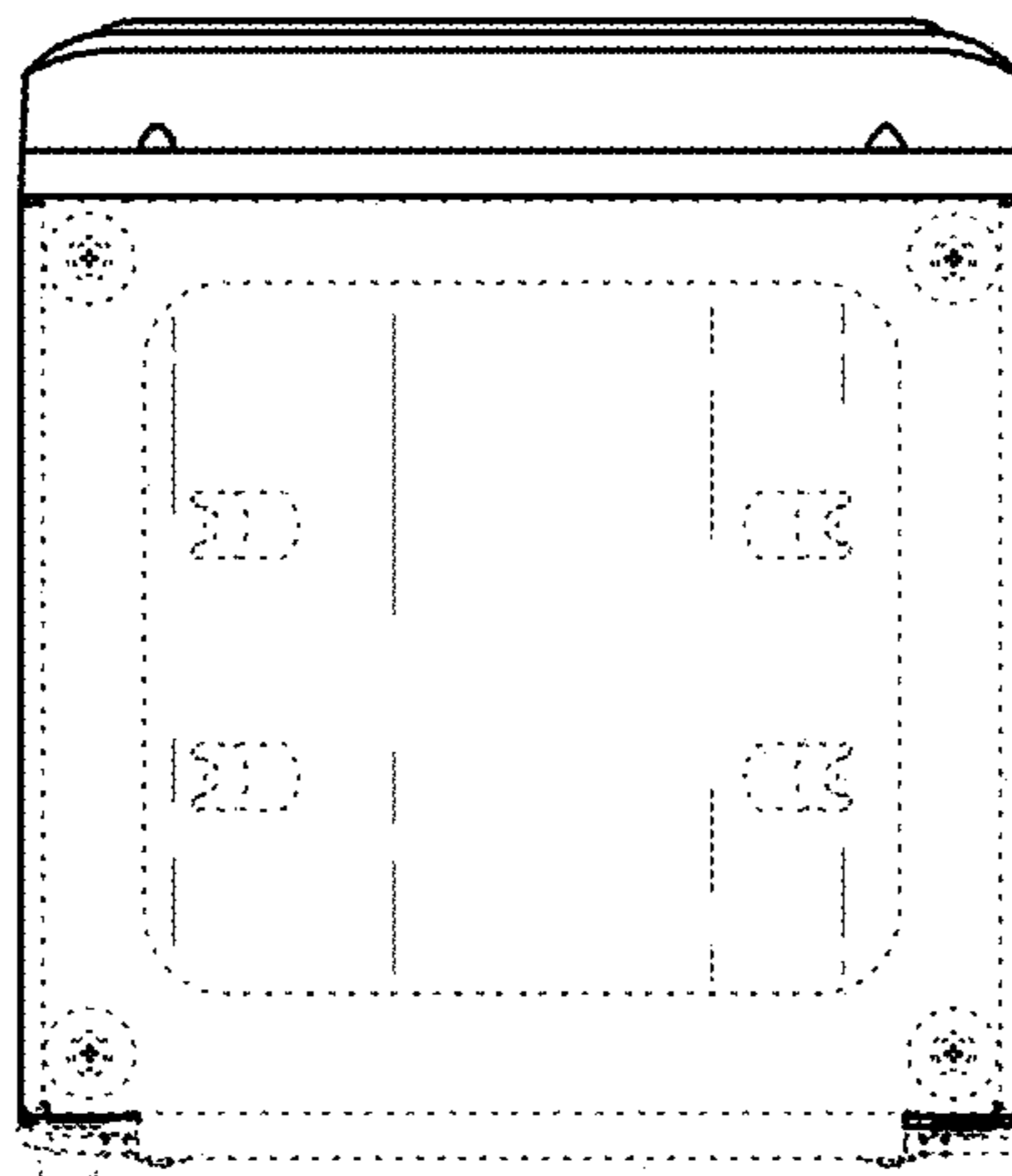


FIG. 8