



US00D878133S

(12) **United States Design Patent**
Cecchetto

(10) **Patent No.:** **US D878,133 S**

(45) **Date of Patent:** **** Mar. 17, 2020**

(54) **COFFEE MACHINE**

(71) Applicant: **CECCHETTO IMPORT AG**, Bülach (CH)

(72) Inventor: **Renato Cecchetto**, Bülach (CH)

(73) Assignee: **CECCHETTO IMPORT AG**, Bülach (CH)

(**) Term: **15 Years**

(21) Appl. No.: **29/645,046**

(22) Filed: **Apr. 23, 2018**

(51) **LOC (12) Cl.** **07-01**

(52) **U.S. Cl.**
USPC **D7/309; D7/311**

(58) **Field of Classification Search**
USPC D7/306–311, 305, 300; 99/279, 284, 99/290, 280, 299, 307, 297, 295
CPC .. A47J 31/44; A47J 31/00; A47J 31/46; A47J 31/10; A47J 31/369; A47J 31/06
See application file for complete search history.

(56) **References Cited**

U.S. PATENT DOCUMENTS

D586,603 S *	2/2009	Borin	D7/309
D665,218 S *	8/2012	Iseli	D7/309
D670,131 S *	11/2012	Feder	D7/309
D672,999 S *	12/2012	De' Longhi	D7/309

D701,071 S *	3/2014	Buttler	D7/306
D718,565 S *	12/2014	Spagnolo	D7/309
D719,391 S *	12/2014	De Pra	D7/309
D719,392 S *	12/2014	De Pra	D7/309
D727,084 S *	4/2015	Dorr	D7/309
D728,295 S *	5/2015	De'Longhi	D7/309
D733,481 S *	7/2015	Rousselin	D7/306
D771,992 S *	11/2016	Yang	D7/306
D785,395 S *	5/2017	Damon	D7/307
D822,421 S *	7/2018	De Pra'	D7/309
D823,037 S *	7/2018	Gebhardt	D7/309
D823,627 S *	7/2018	Gebhardt	D7/309
D840,735 S *	2/2019	Dutruel	D7/309

* cited by examiner

Primary Examiner — Marianne N Pandozzi

(74) *Attorney, Agent, or Firm* — Dentons US LLP

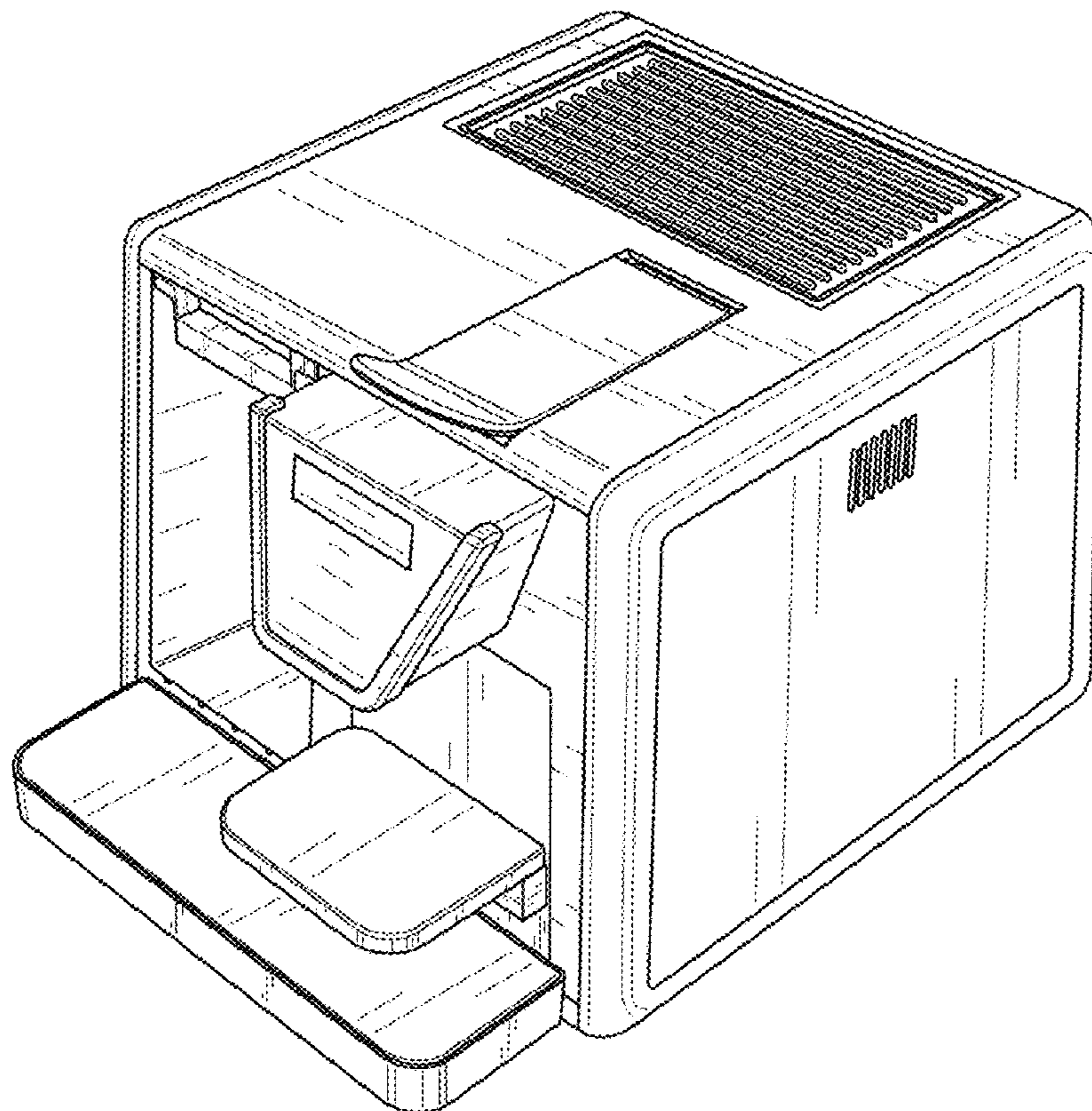
(57) **CLAIM**

I claim the ornamental design for a coffee machine, as shown and described.

DESCRIPTION

FIG. 1 is a perspective view of the coffee machine shown in a position of use;
FIG. 2 is a front view thereof;
FIG. 3 is a rear view thereof;
FIG. 4 is a right-hand view thereof;
FIG. 5 is a left-hand view thereof;
FIG. 6 is a top view thereof;
FIG. 7 is a bottom view thereof; and,
FIG. 8 is another perspective view of the coffee machine.

1 Claim, 8 Drawing Sheets



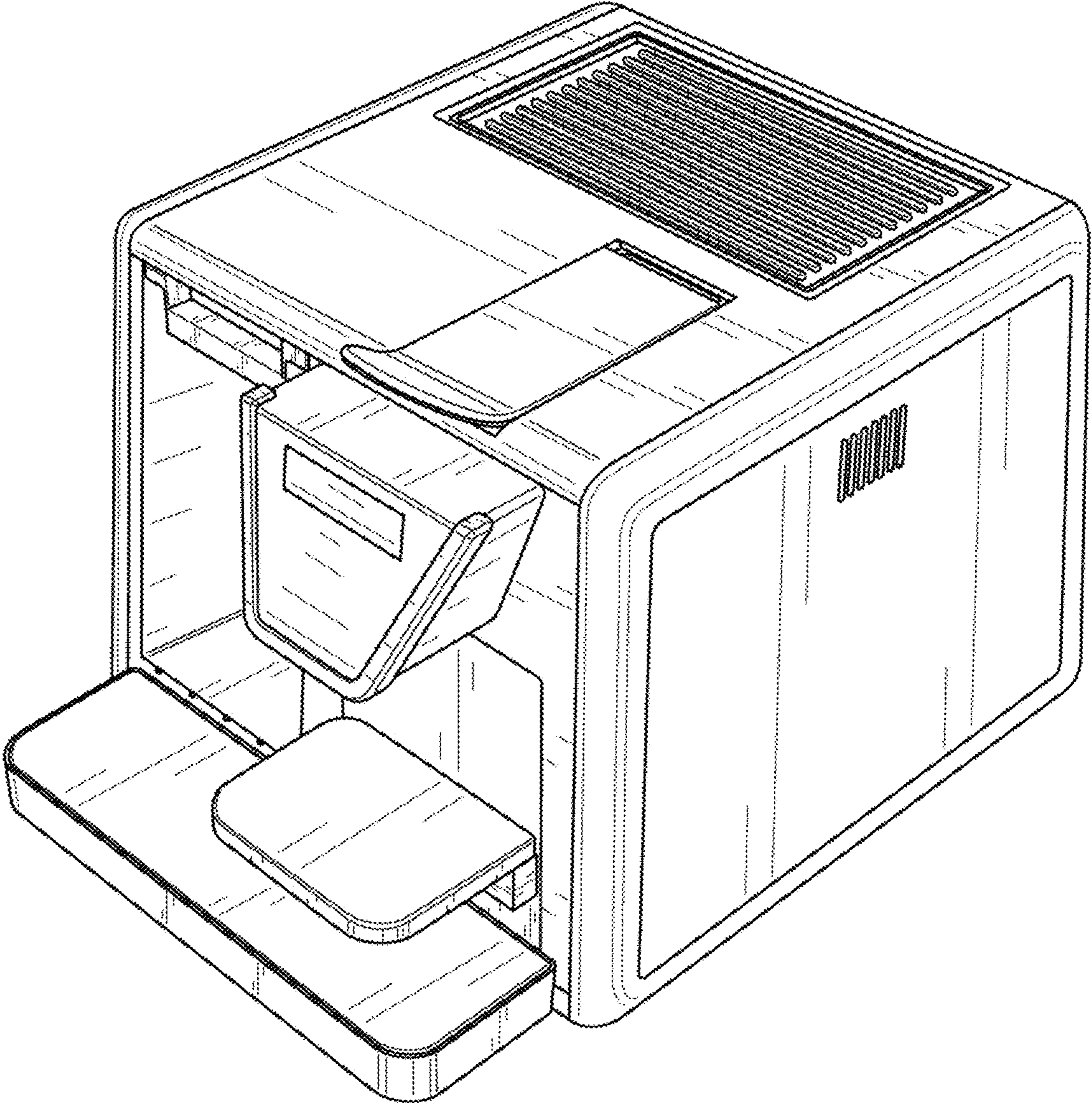


FIG. 1

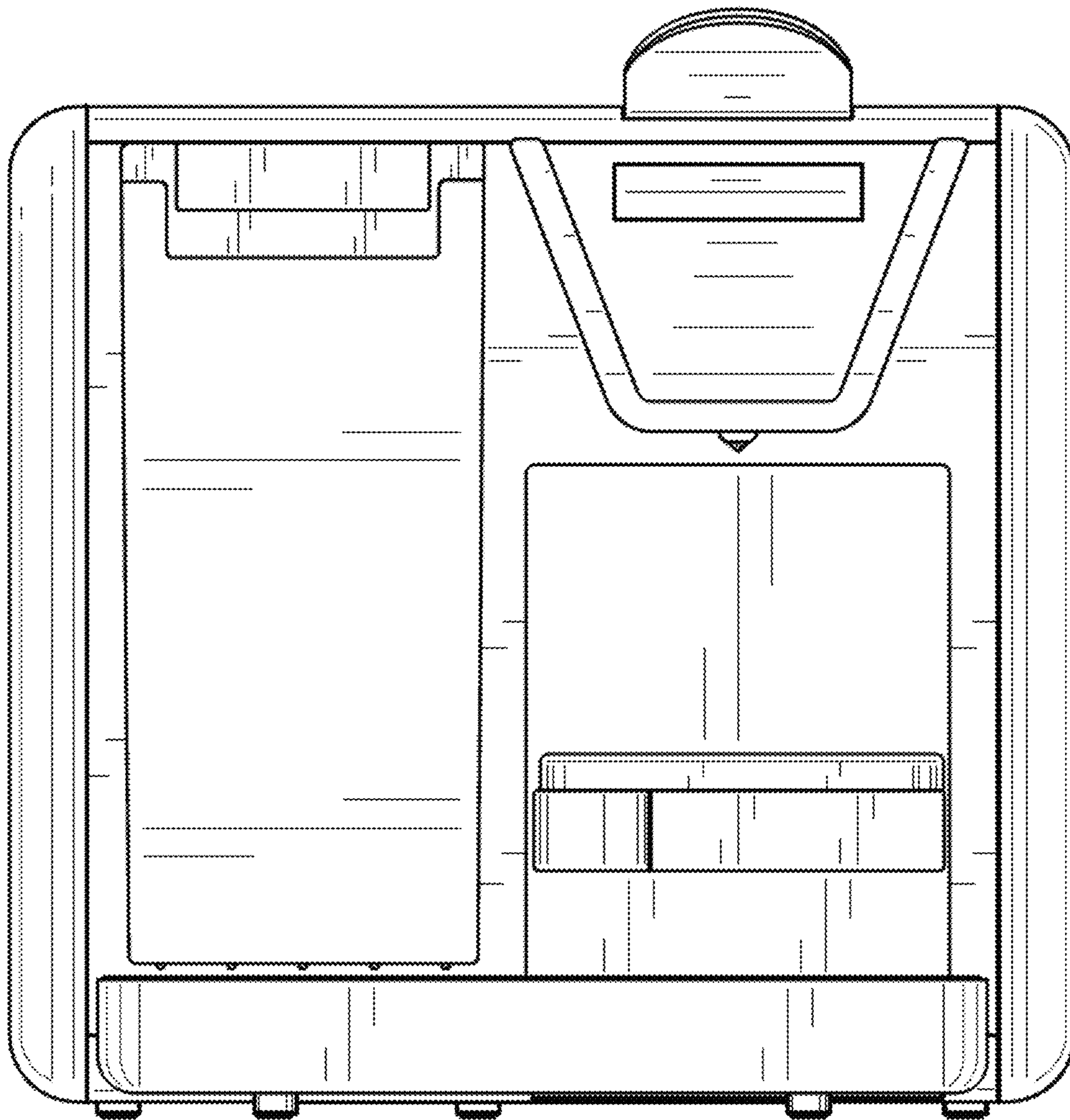


FIG. 2

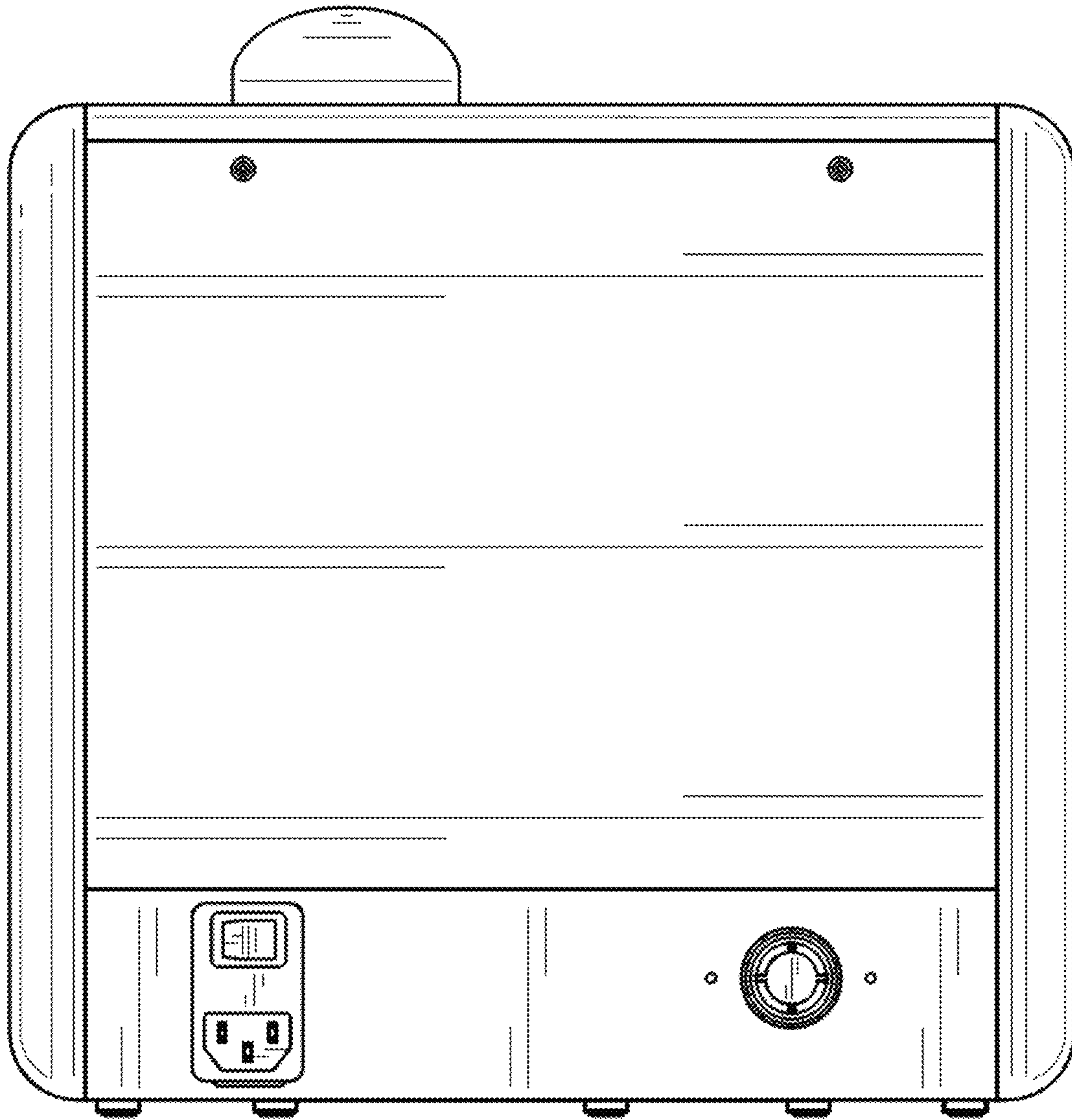


FIG. 3

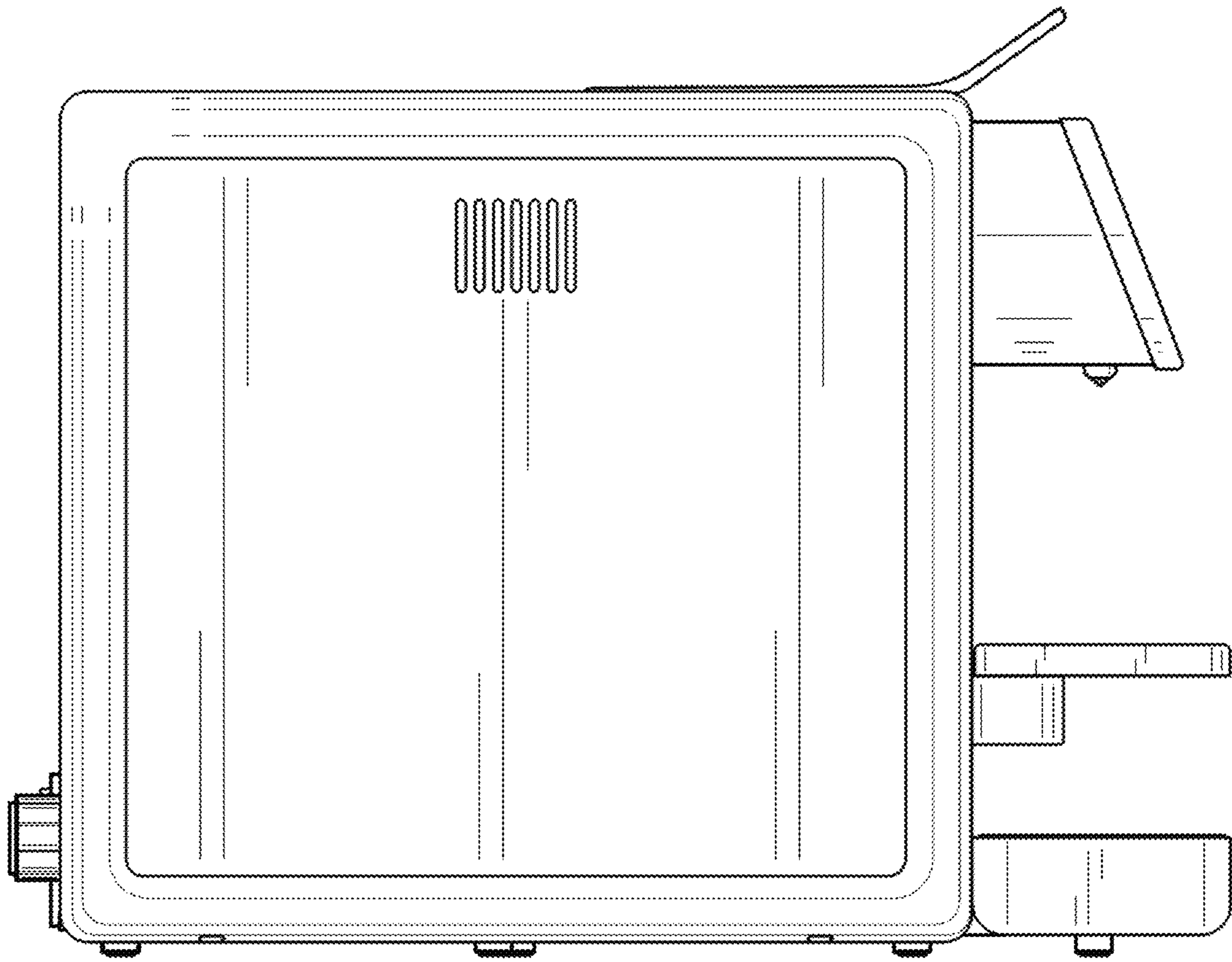


FIG. 4

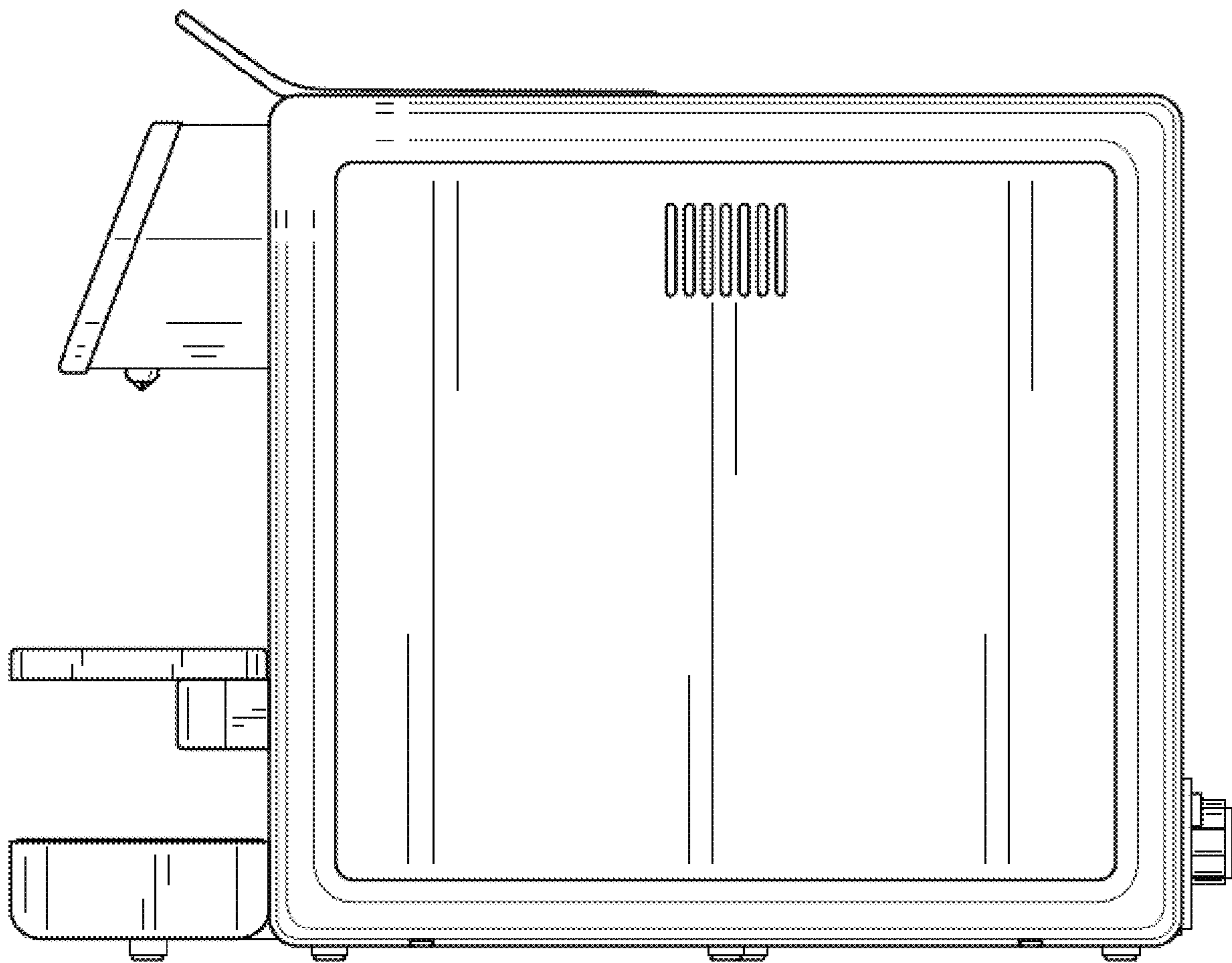


FIG. 5

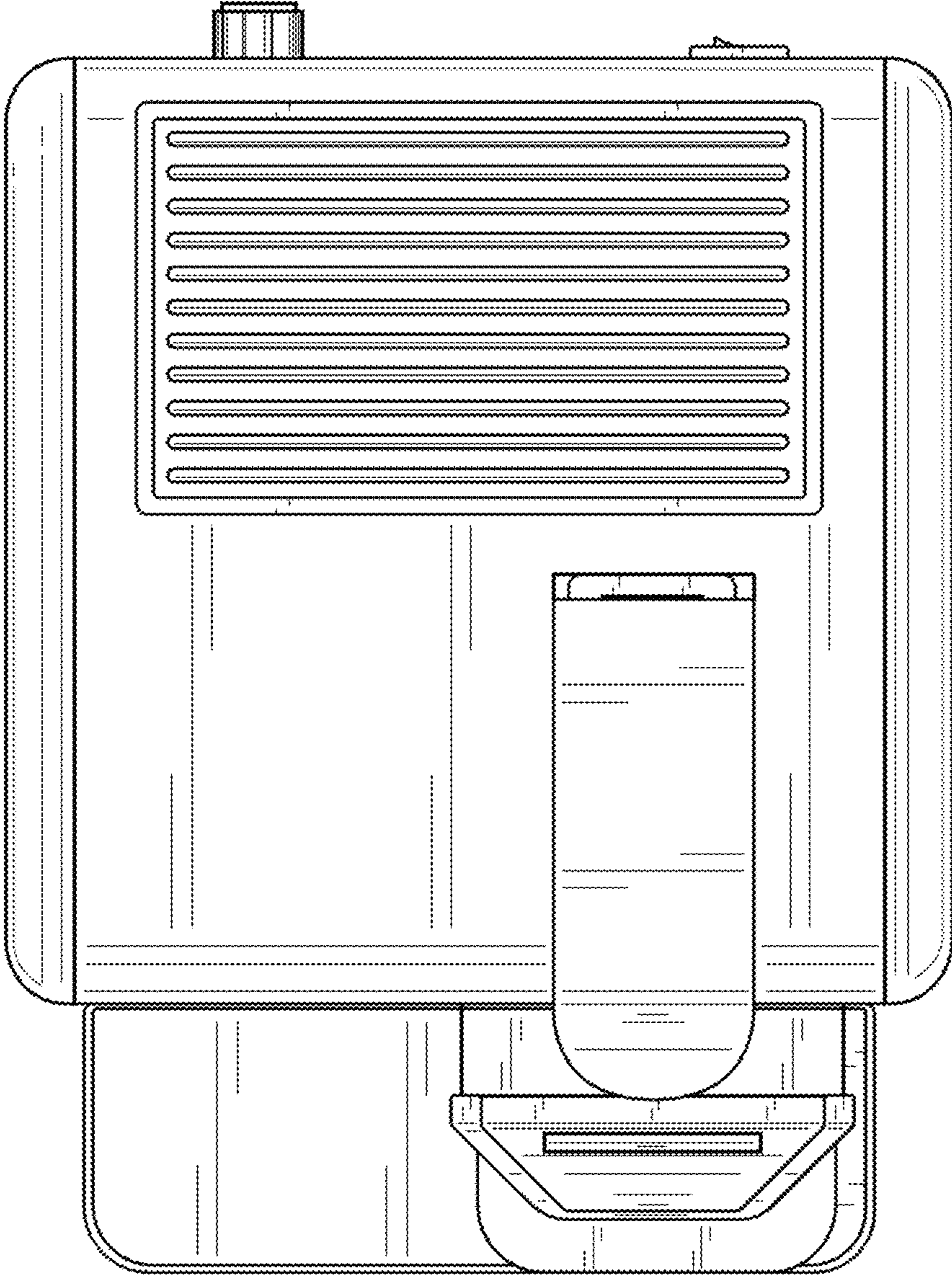


FIG. 6

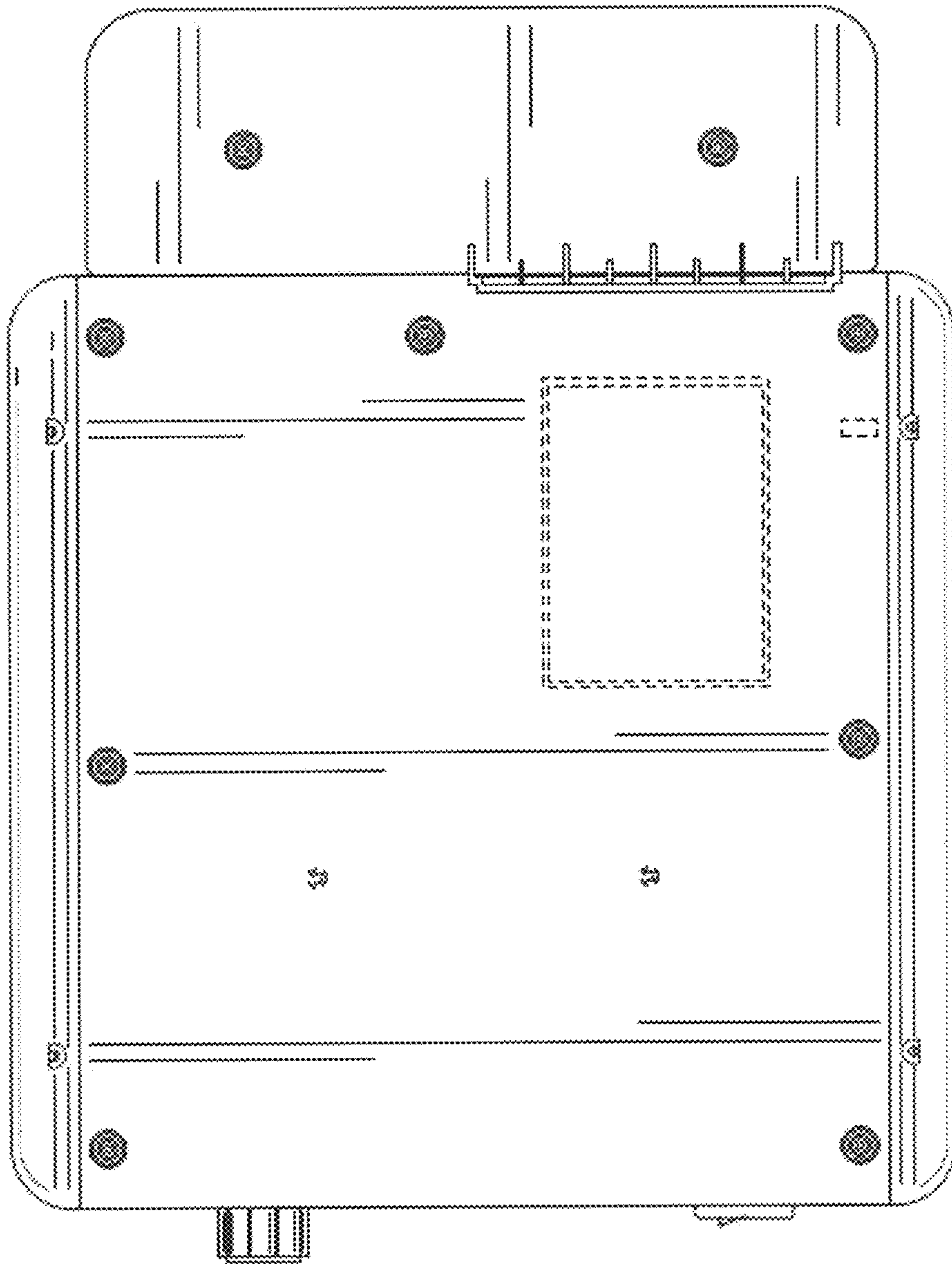


FIG. 7

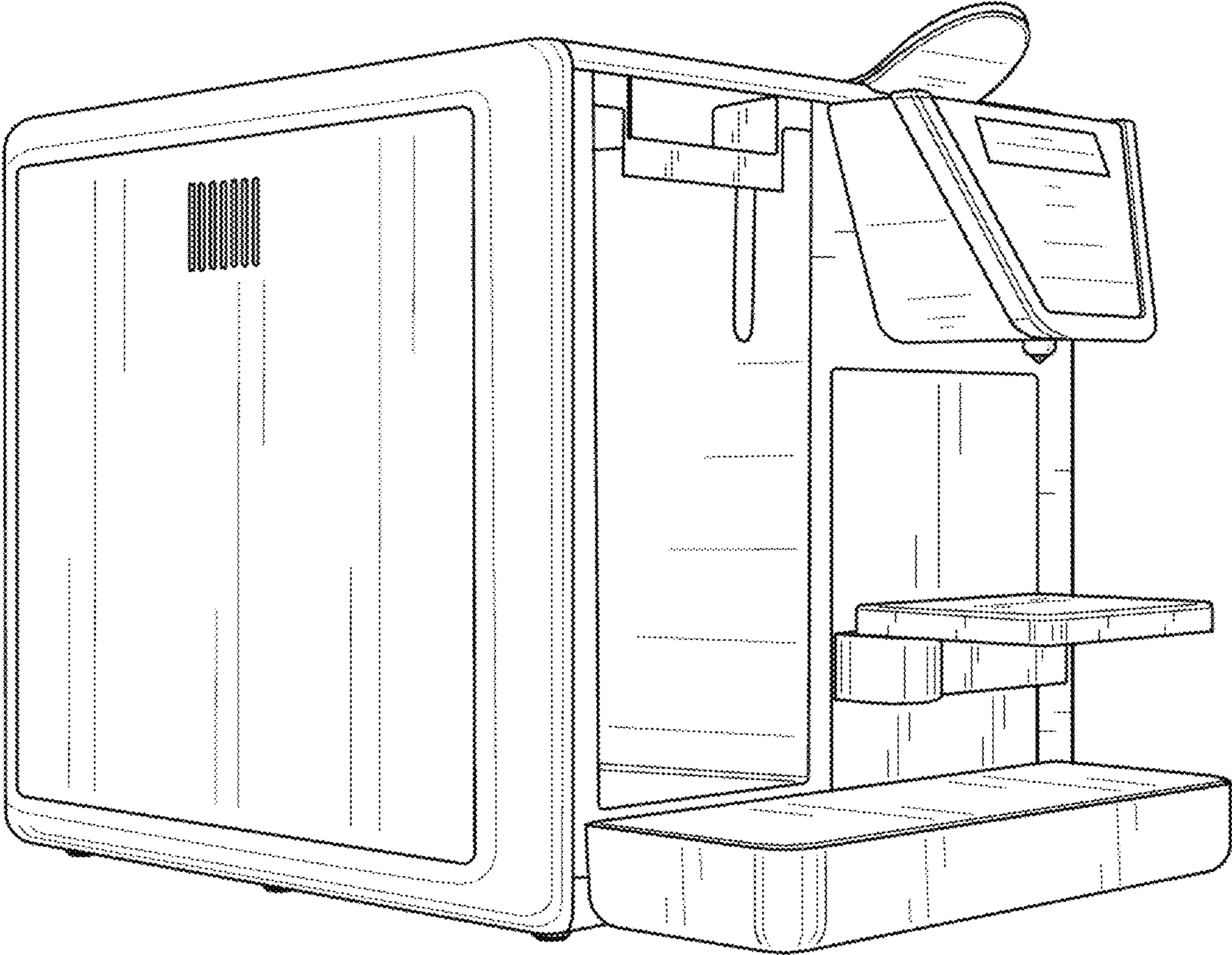


FIG. 8